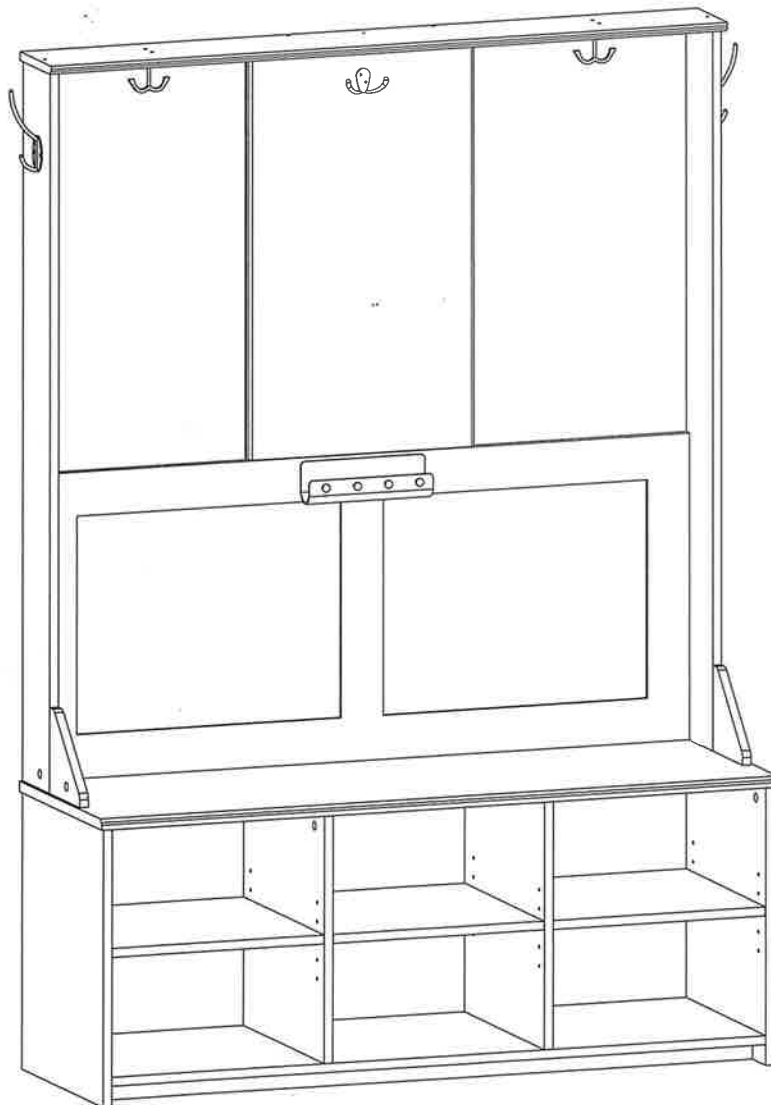


# ASSEMBLY INSTRUCTIONS

ITEM#: GM8008

## Important Safety Instructions:

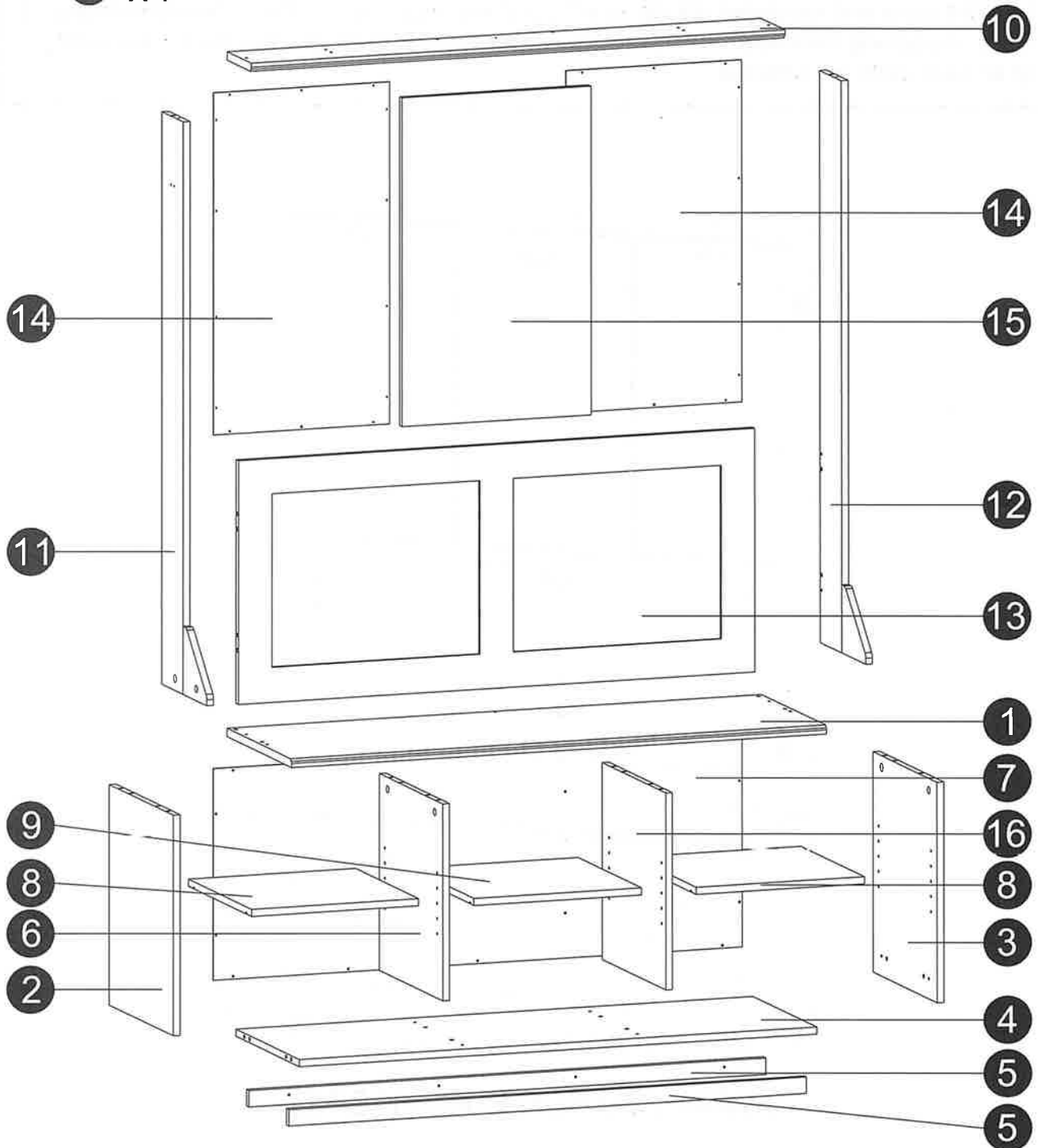
- Please read all instructions before beginning assembly
- Please make sure receive all the parcels to start the assembly
- For your safety and convenience, assembly by two people is recommended
- Use the parts and hardware lists to identify and separate each of the components included
- Save all packing materials until assembly is completed to avoid the accidental discarding of smaller parts or hardware



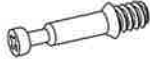






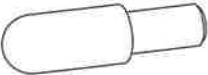

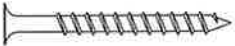
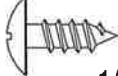

THANK YOU FOR PURCHASING


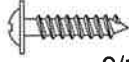
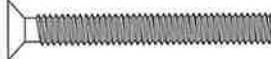
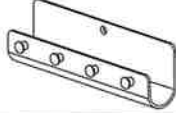

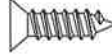





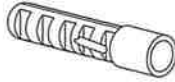
# PARTS LIST

- |       |       |       |       |       |
|-------|-------|-------|-------|-------|
| 1 X1  | 2 X1  | 3 X1  | 4 X1  | 5 X2  |
| 6 X1  | 7 X1  | 8 X2  | 9 X1  | 10 X1 |
| 11 X1 | 12 X1 | 13 X1 | 14 X2 | 15 X1 |
| 16 X1 |       |       |       |       |




# HARDWARE LIST

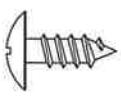
Name	Part	Qty.	Spare
A		21	1
B		21	1
C		27	1
D		3	1
E		4	1
F		2	
G		2	
H		12	
I		12	1
J	 2" Screw	8	1
K	 1/2" Screw	16	1
L	 5/8" Screw	6	1

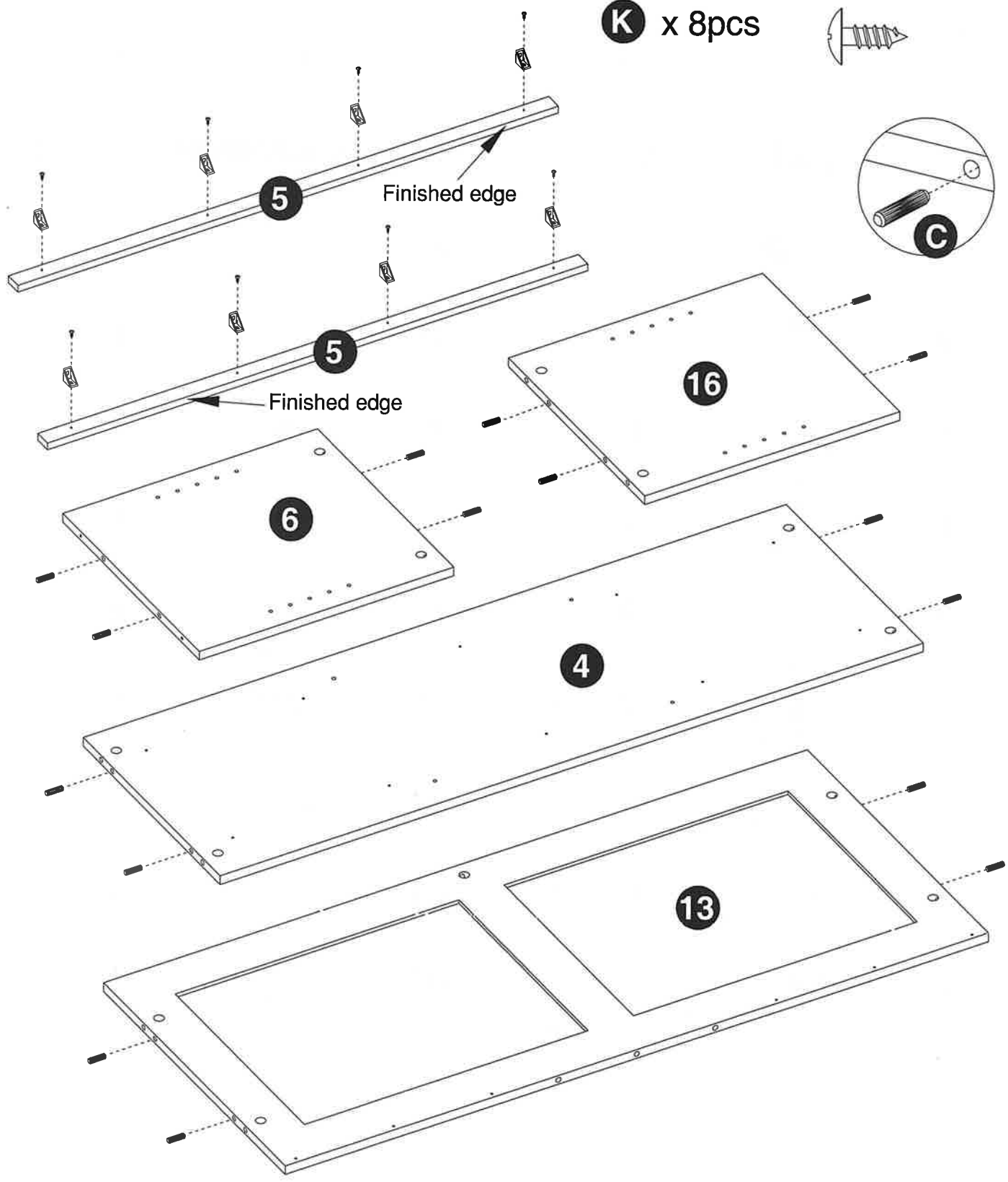
Name	Part	Qty.	Spare
M		20	1
N	 9/16" Screw	28	1
O		4	1
P		1	
Q		1	1
R		1	
S		1	
T		8	
U1		1	
U2		1	
U3		1	
U4		1	

# STEP 1

**C** x 16pcs 

**T** x 8pcs 

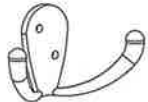
**K** x 8pcs 




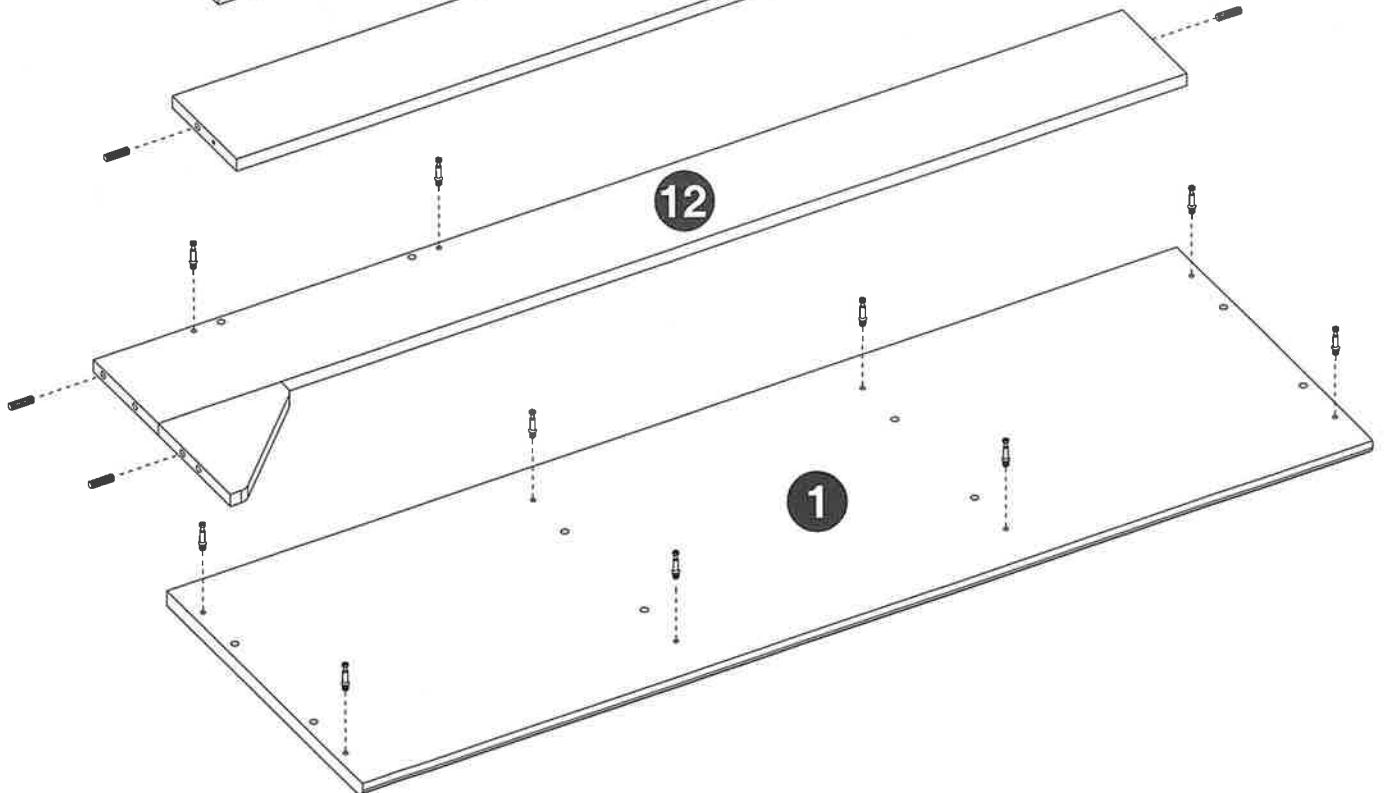
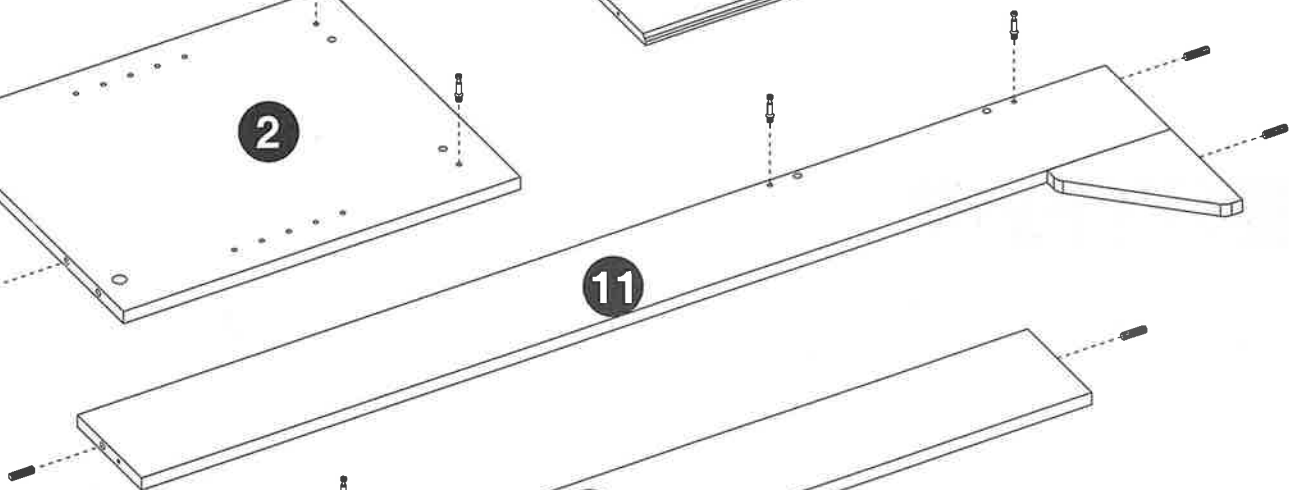
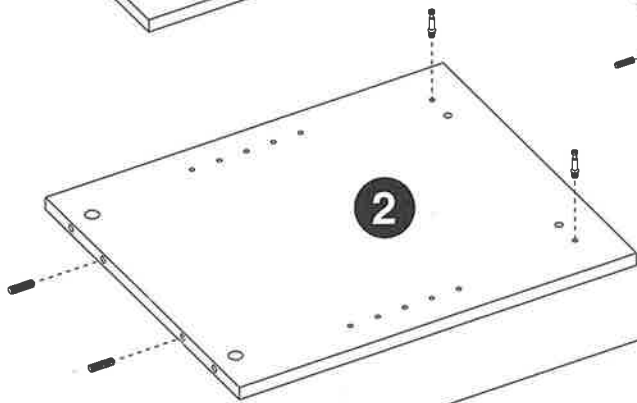
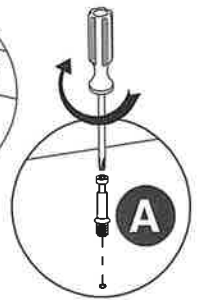
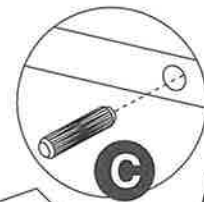
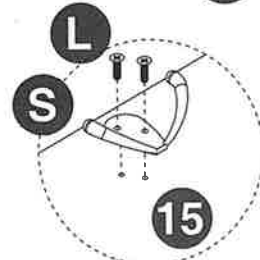
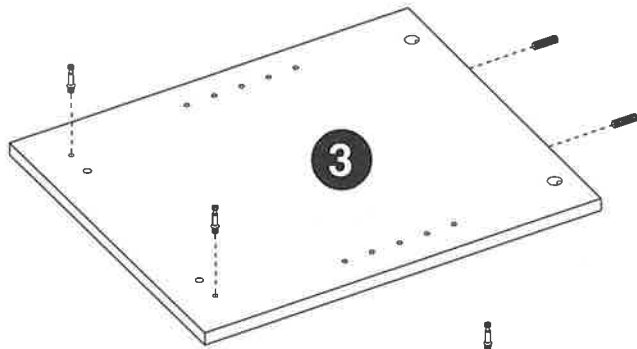
# STEP 2

**A** x 16pcs 

**C** x 11pcs 

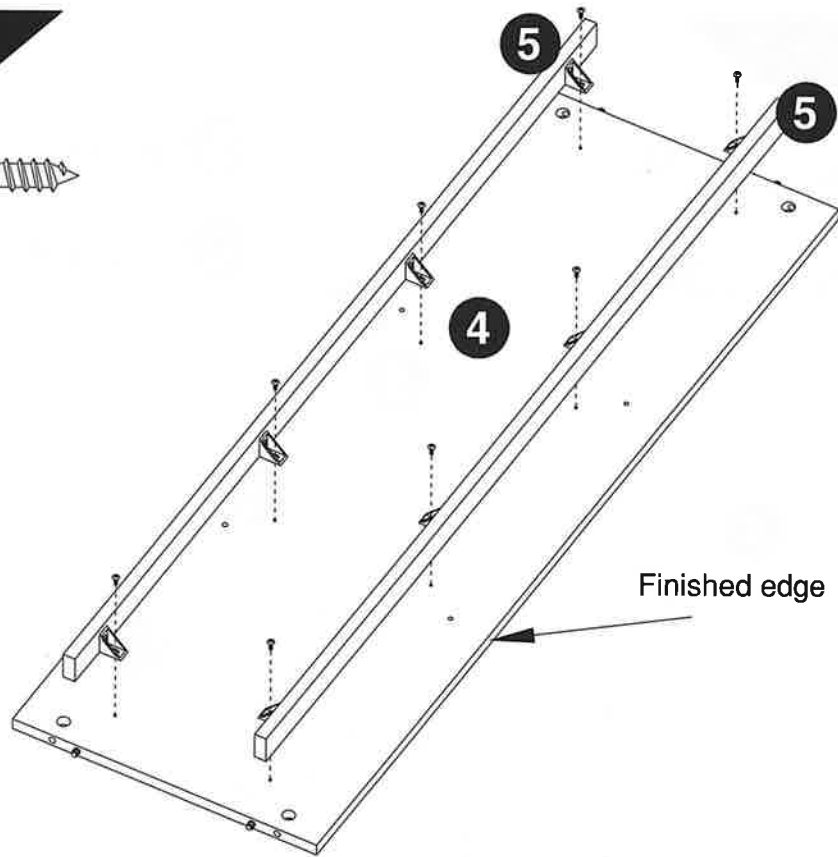
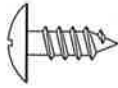
**S** x 1pc 

**L** x 2pcs 



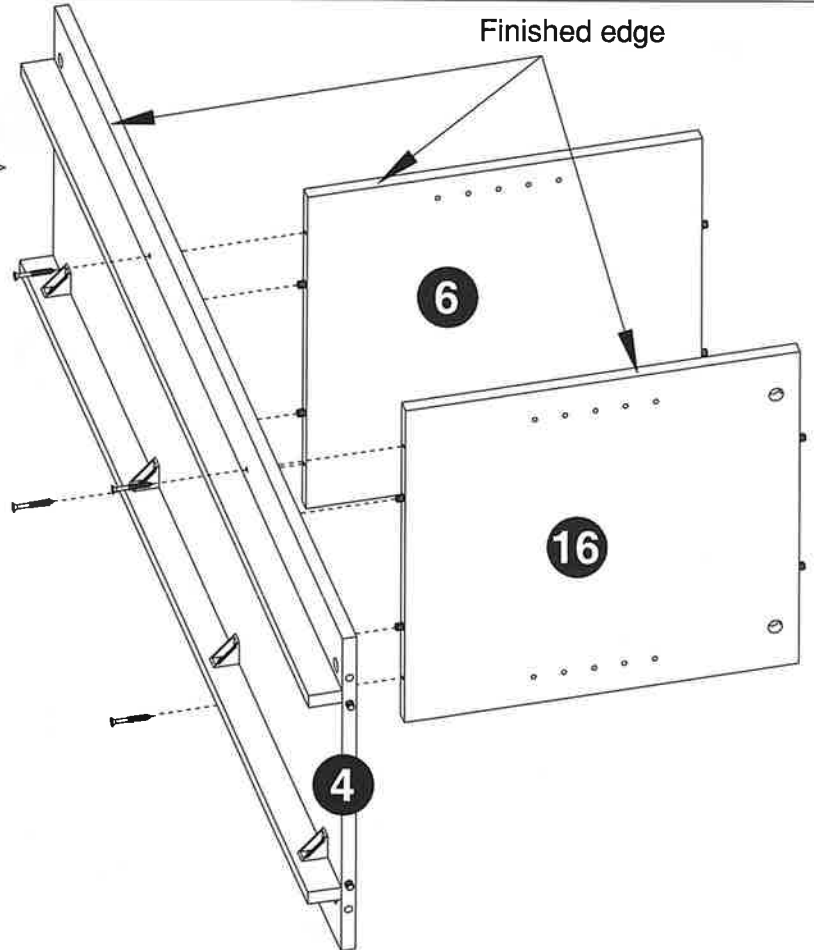
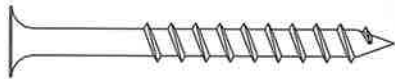
# STEP 3

**K** x 8pcs



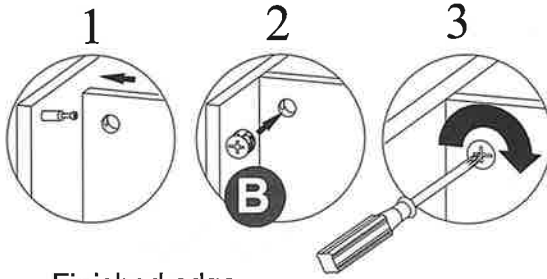
# STEP 4

**J** x 4pcs

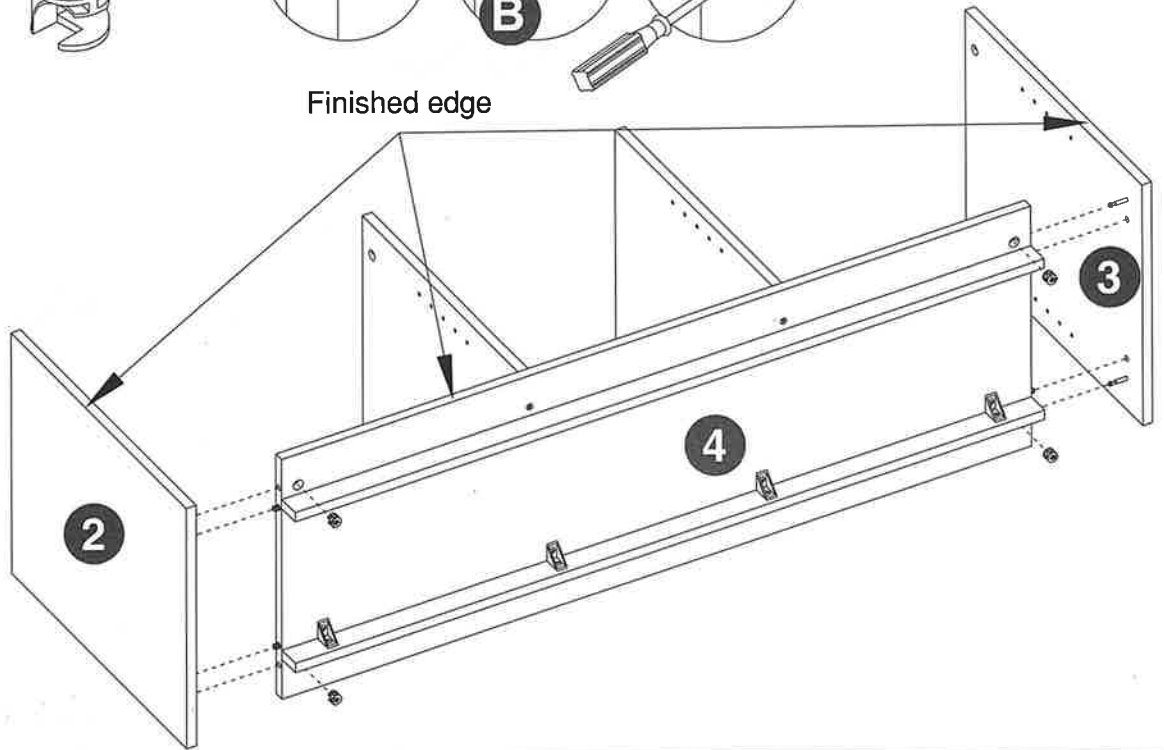


## STEP 5

**B** x 4pcs



Finished edge



## STEP 6

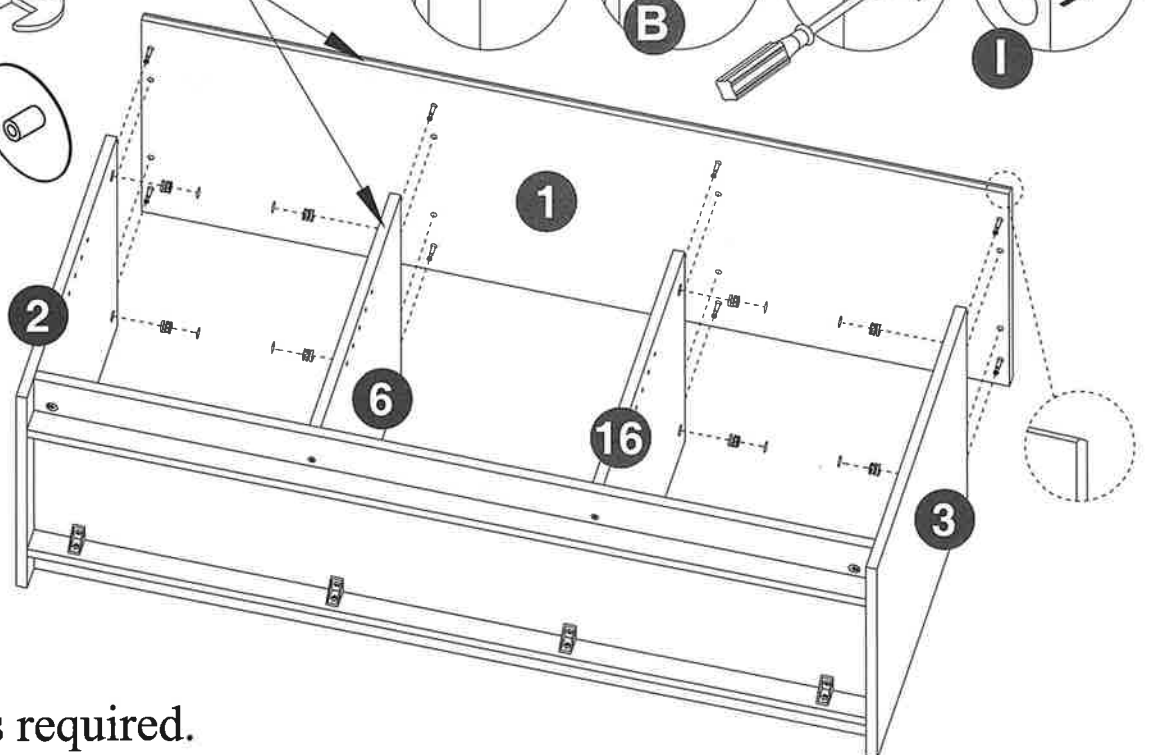
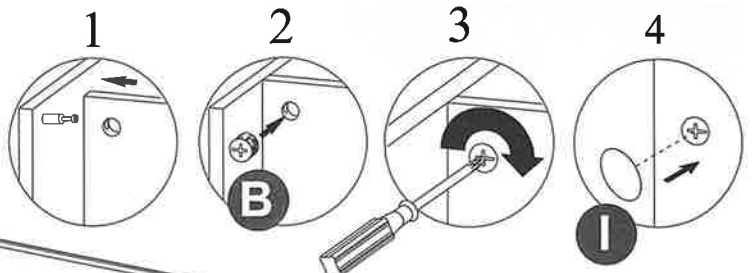
**B** x 8pcs



**I** x 8pcs



Finished edge



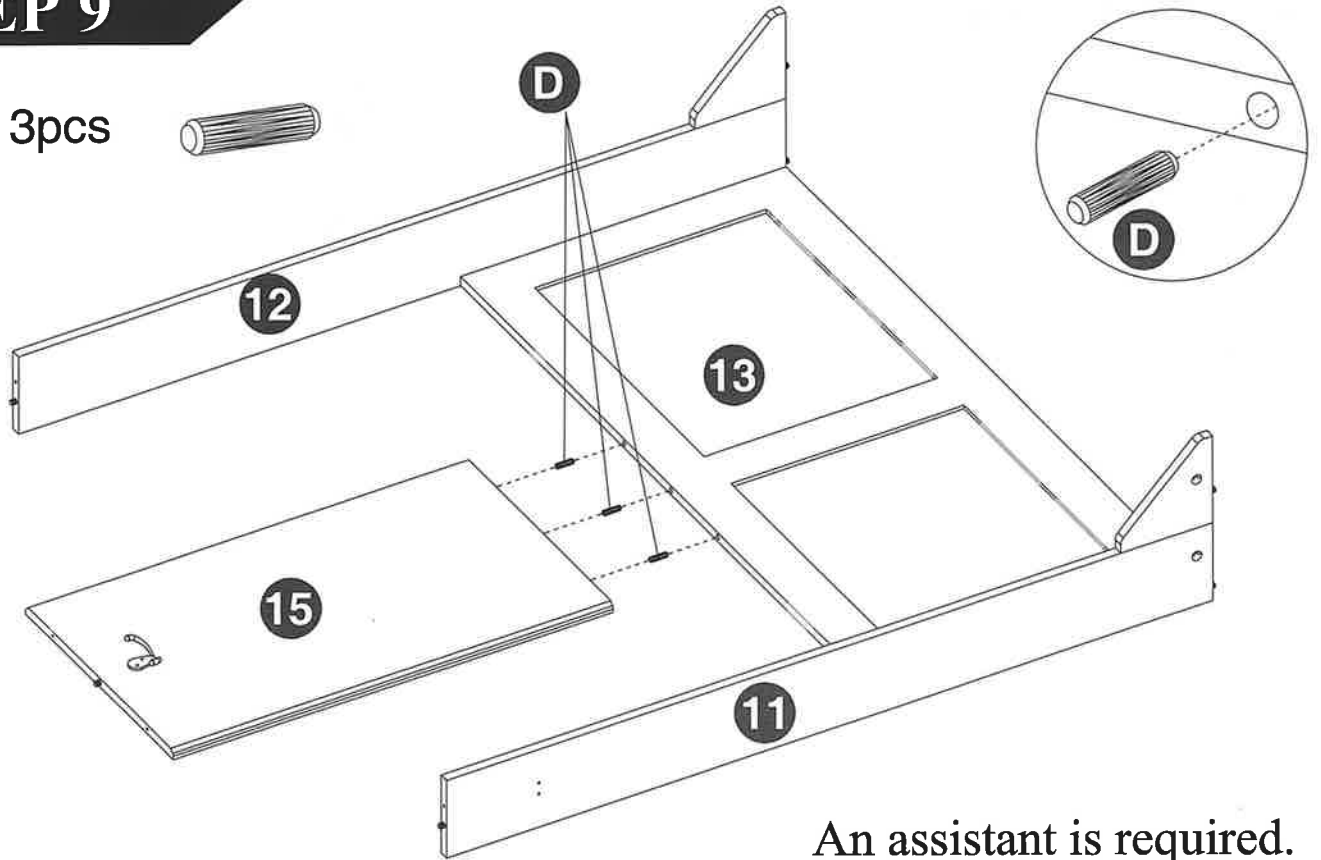
An assistant is required.



With assistant carefully flip unit over.

## STEP 9

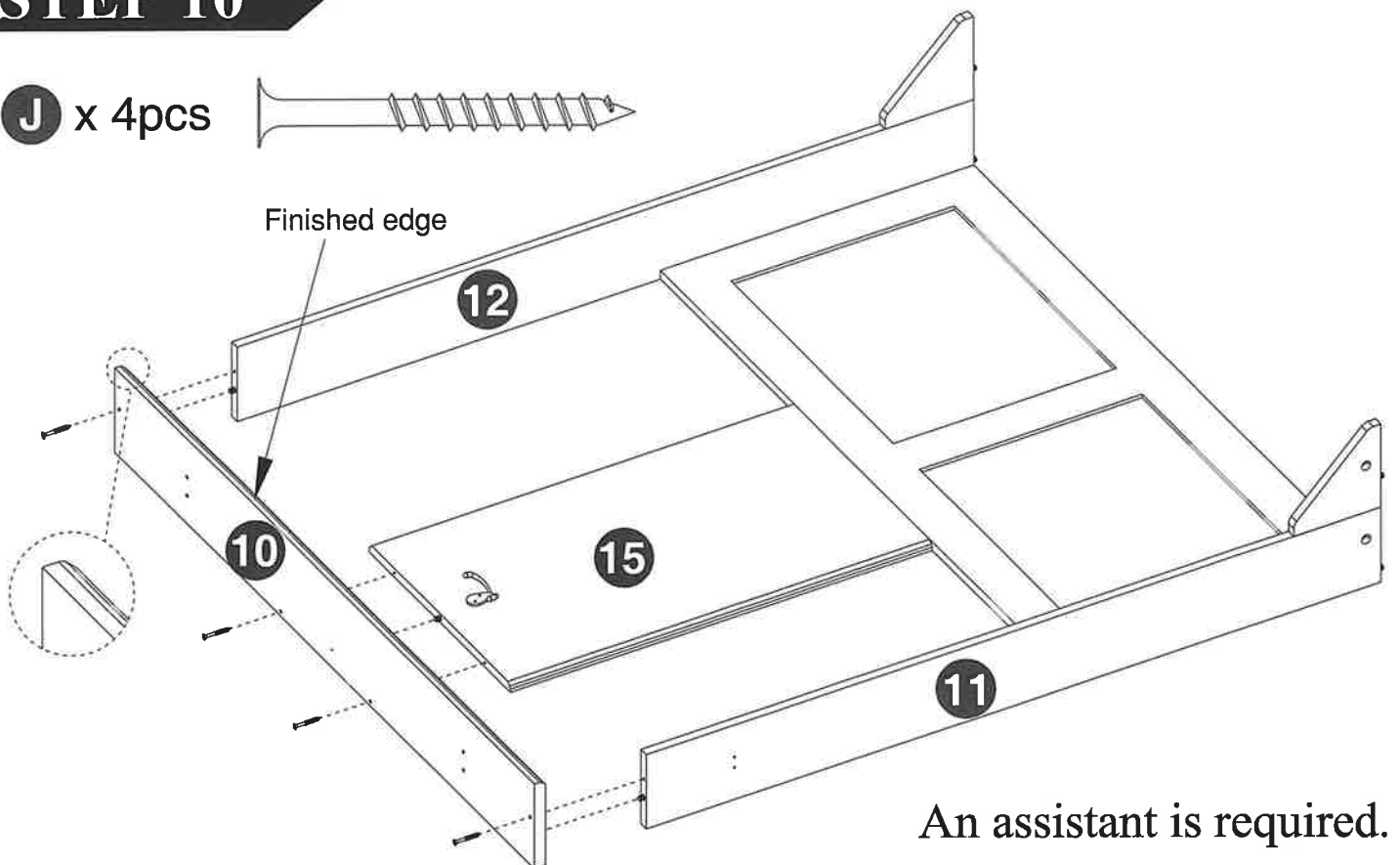
**D** x 3pcs



An assistant is required.

## STEP 10

**J** x 4pcs



An assistant is required.

# STEP 11

**O** x 4pcs



**G** x 2pcs



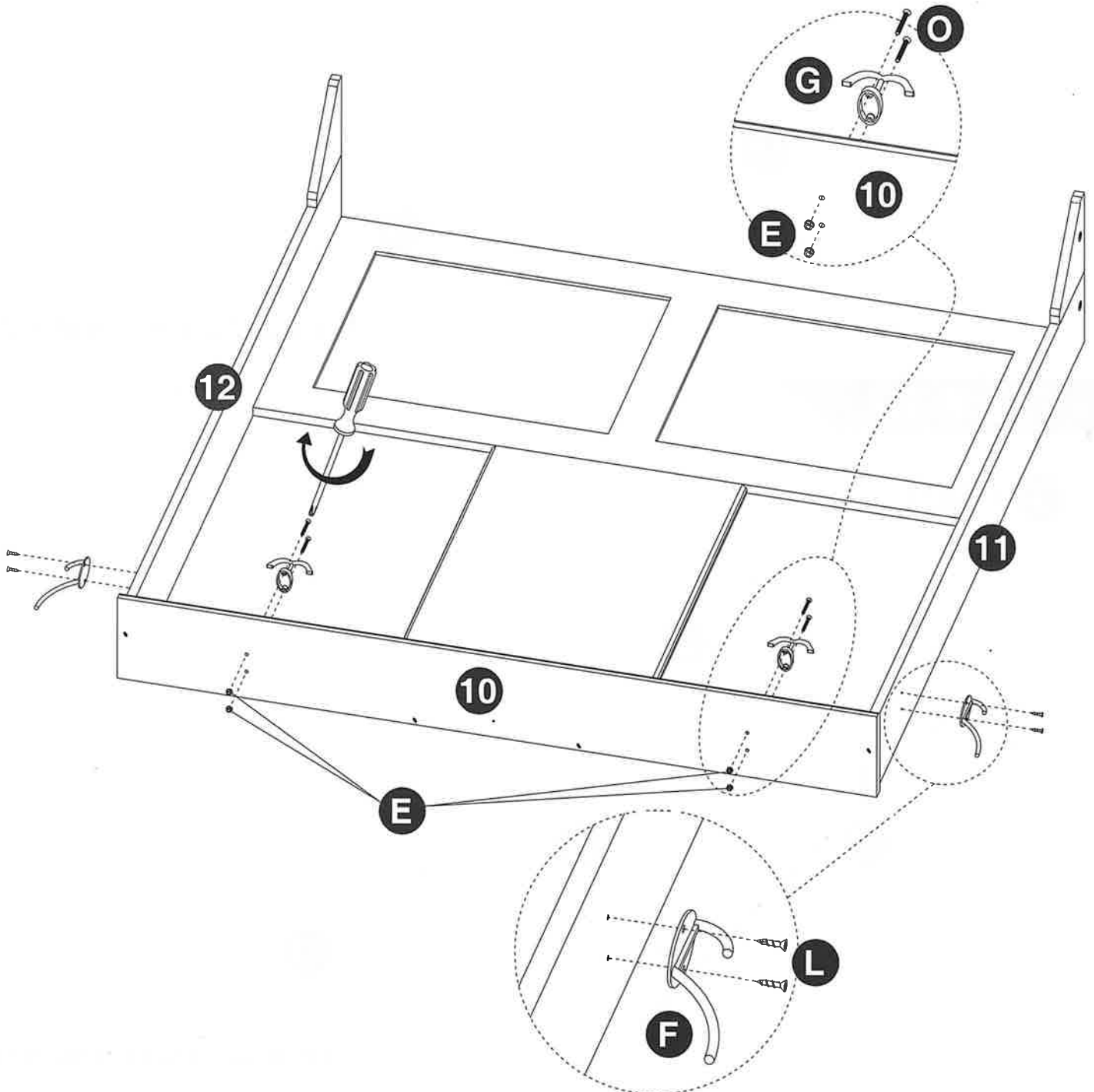
**E** x 4pcs



**F** x 2pcs



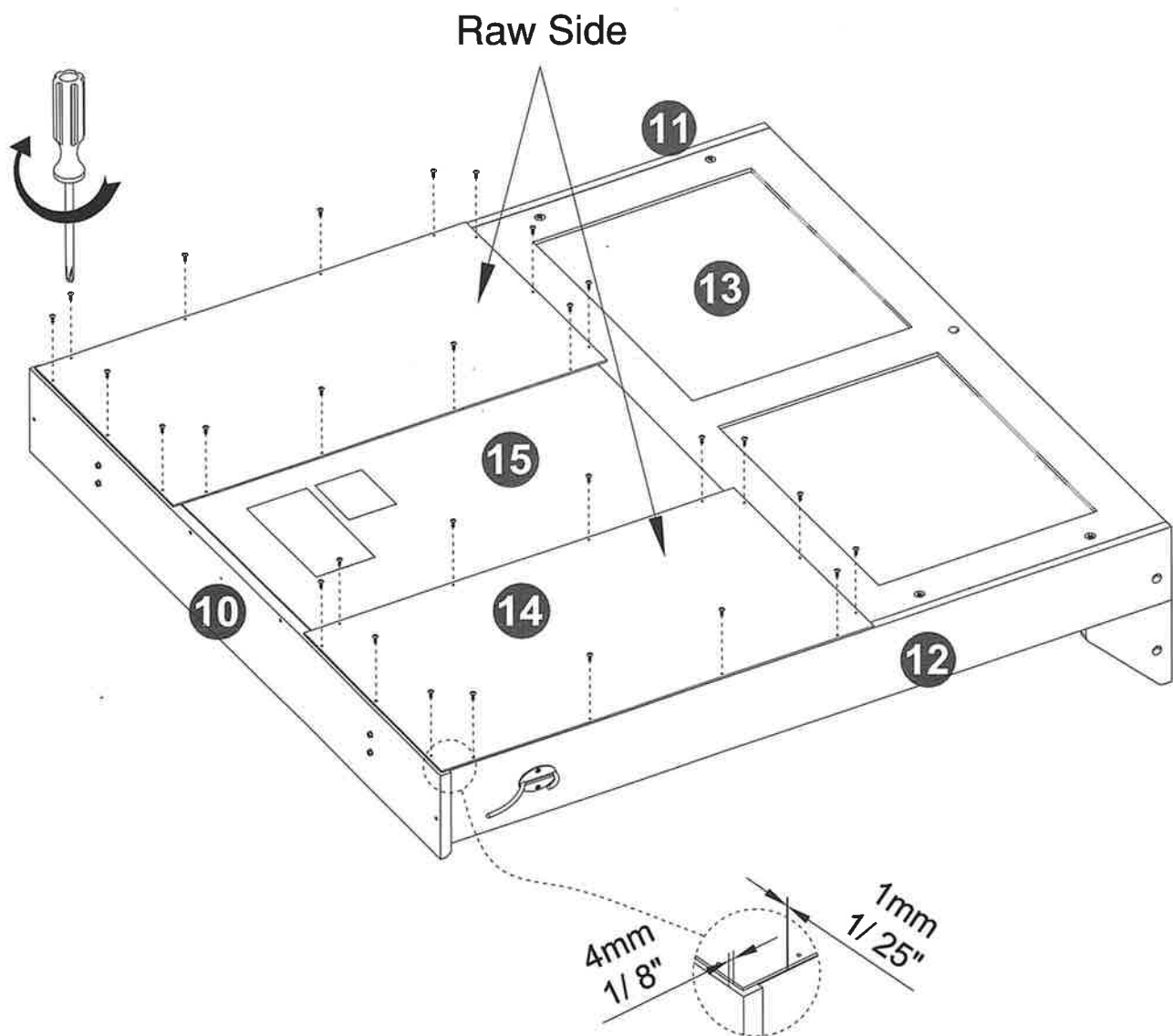
**L** x 4pcs



# STEP 12

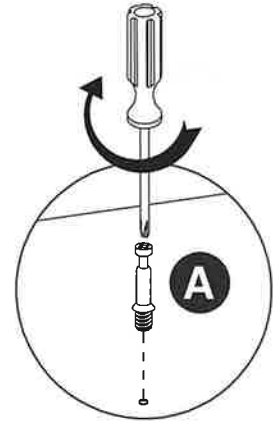
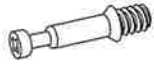
**N** x 28pcs 

With assistant carefully flip unit over.

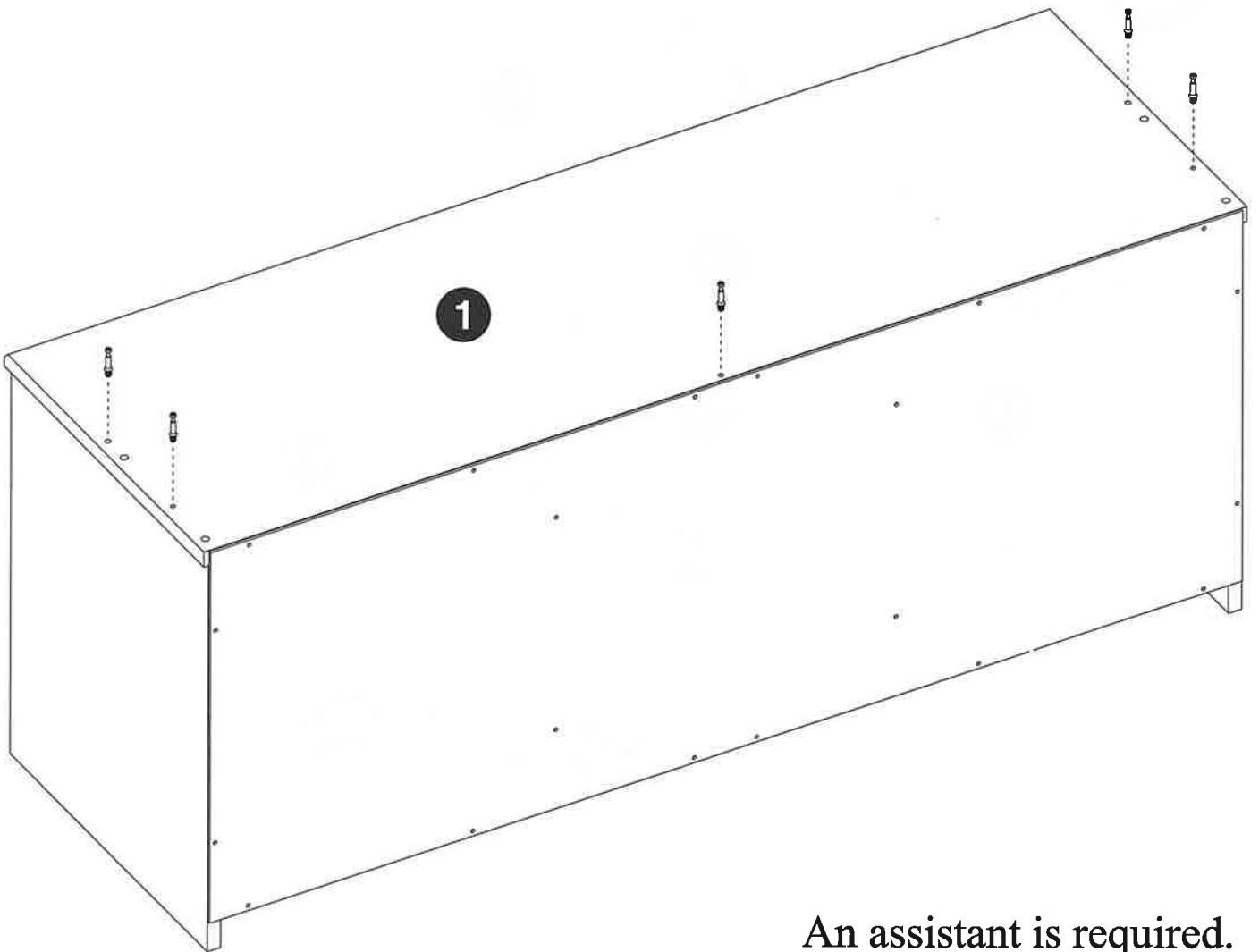


## STEP 13

**A** x 5pcs



With assistant carefully stand unit up.



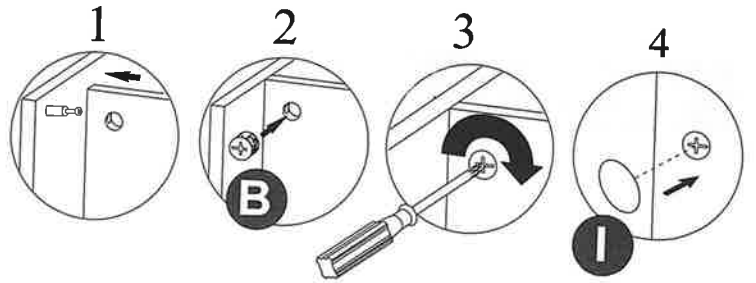
An assistant is required.

# STEP 14

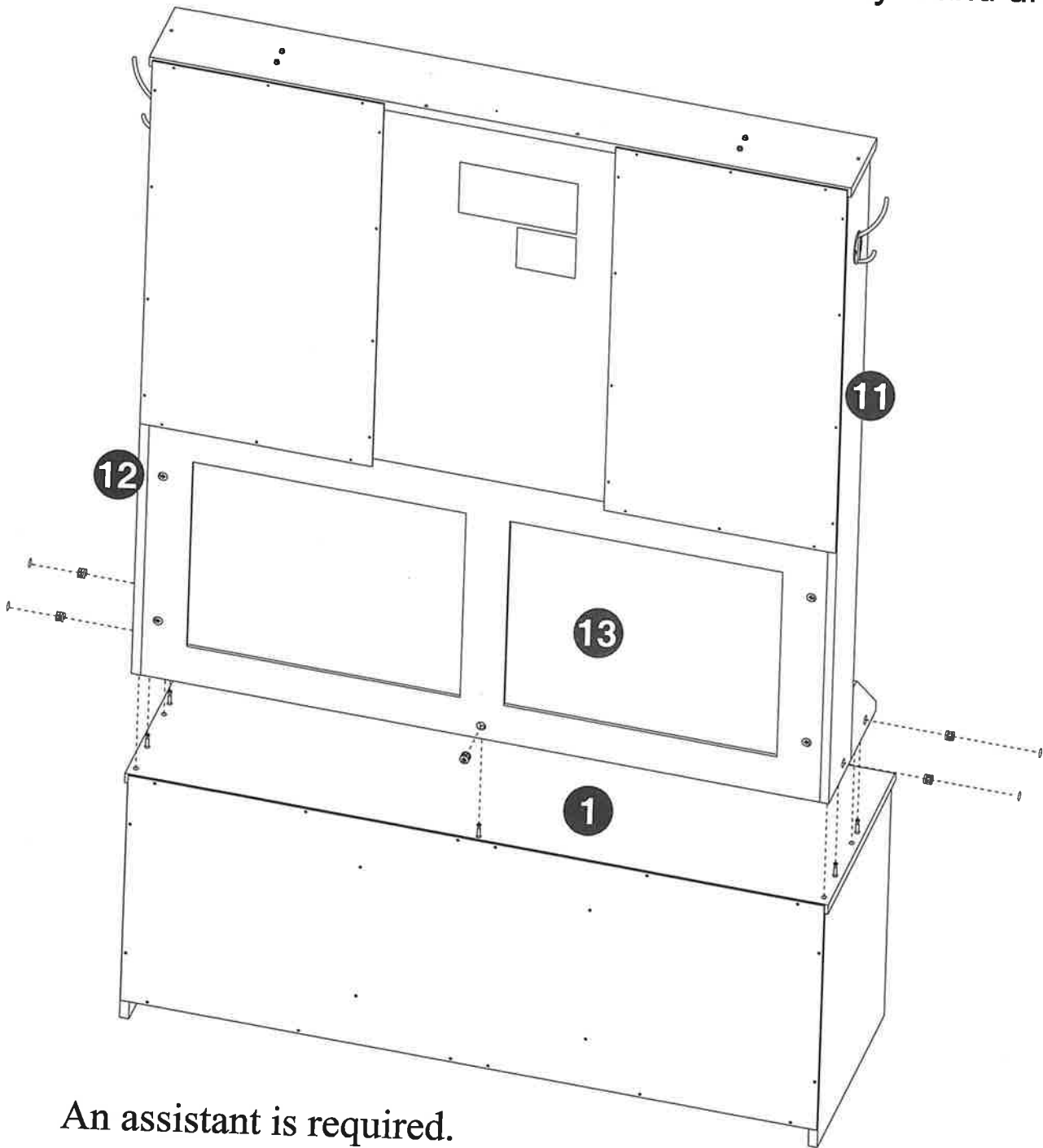
**B** x 5pcs



**I** x 4pcs




With assistant carefully stand unit up.



An assistant is required.

# STEP 15

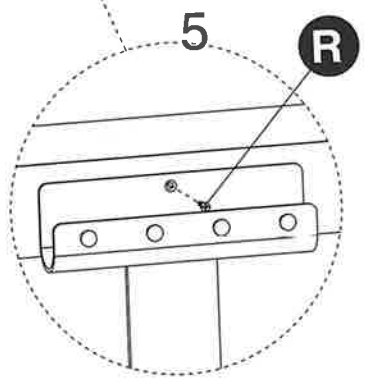
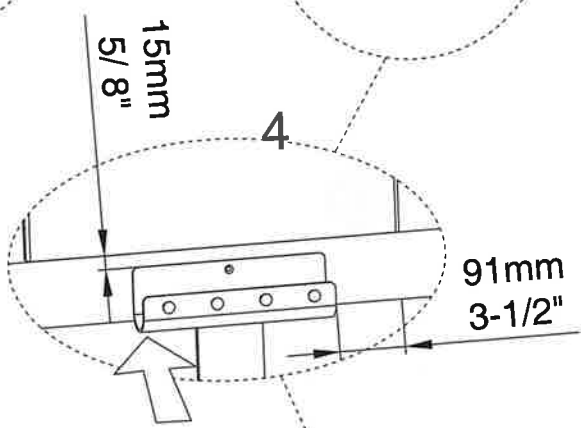
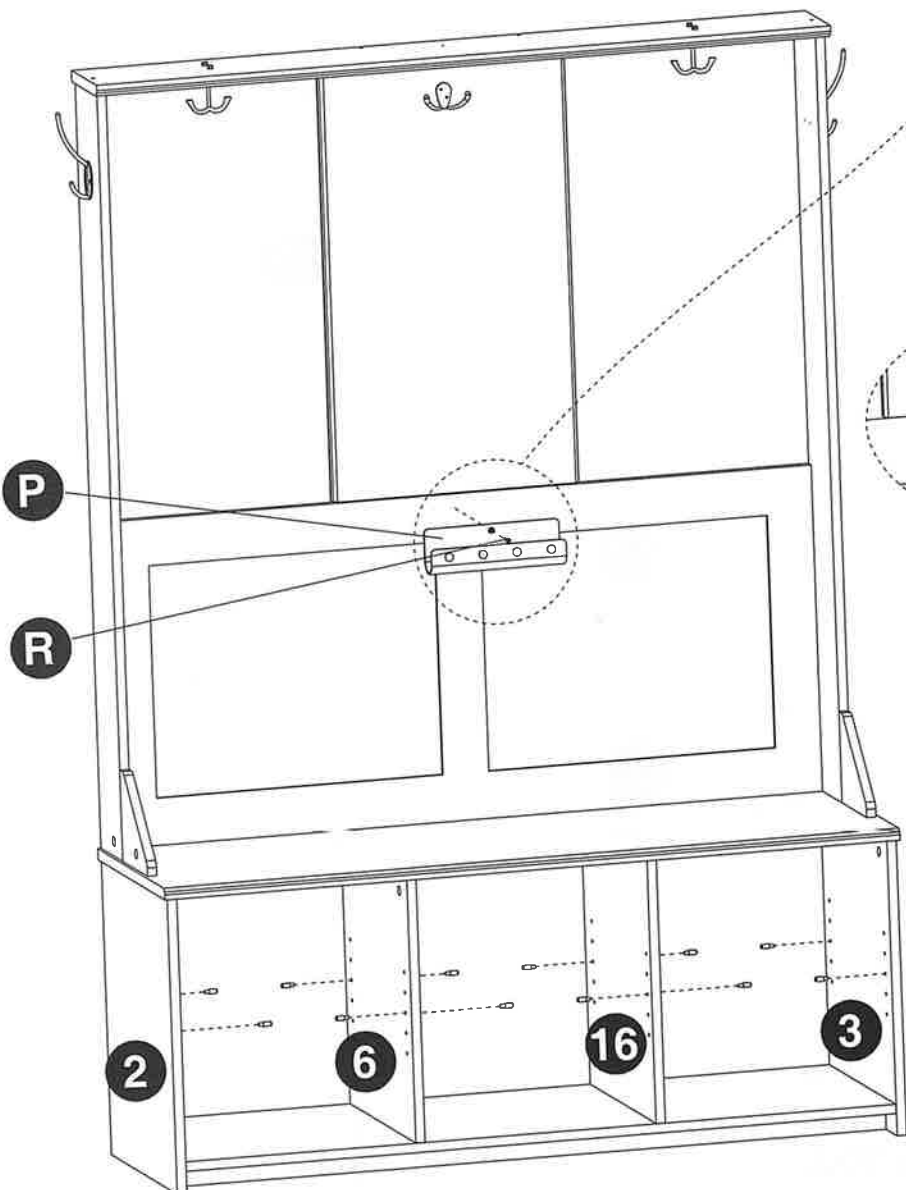
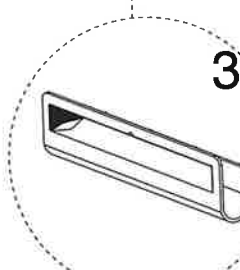
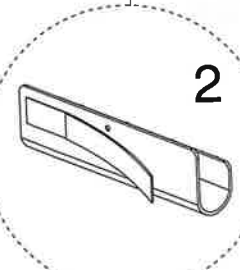
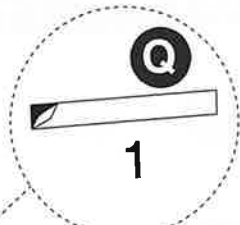
**H** x 12pcs 

**Q** x 1pc 

**P** x 1pc 

**R** x 1pc 

1. Peel off the adhesive sticker's protective paper and stick it onto the storage hook "P".
2. Peel off the protective paper on another side of the adhesive and stick the storage hook "P" onto the product.
3. Add a screw "R" to the hole of the storage hook "P".

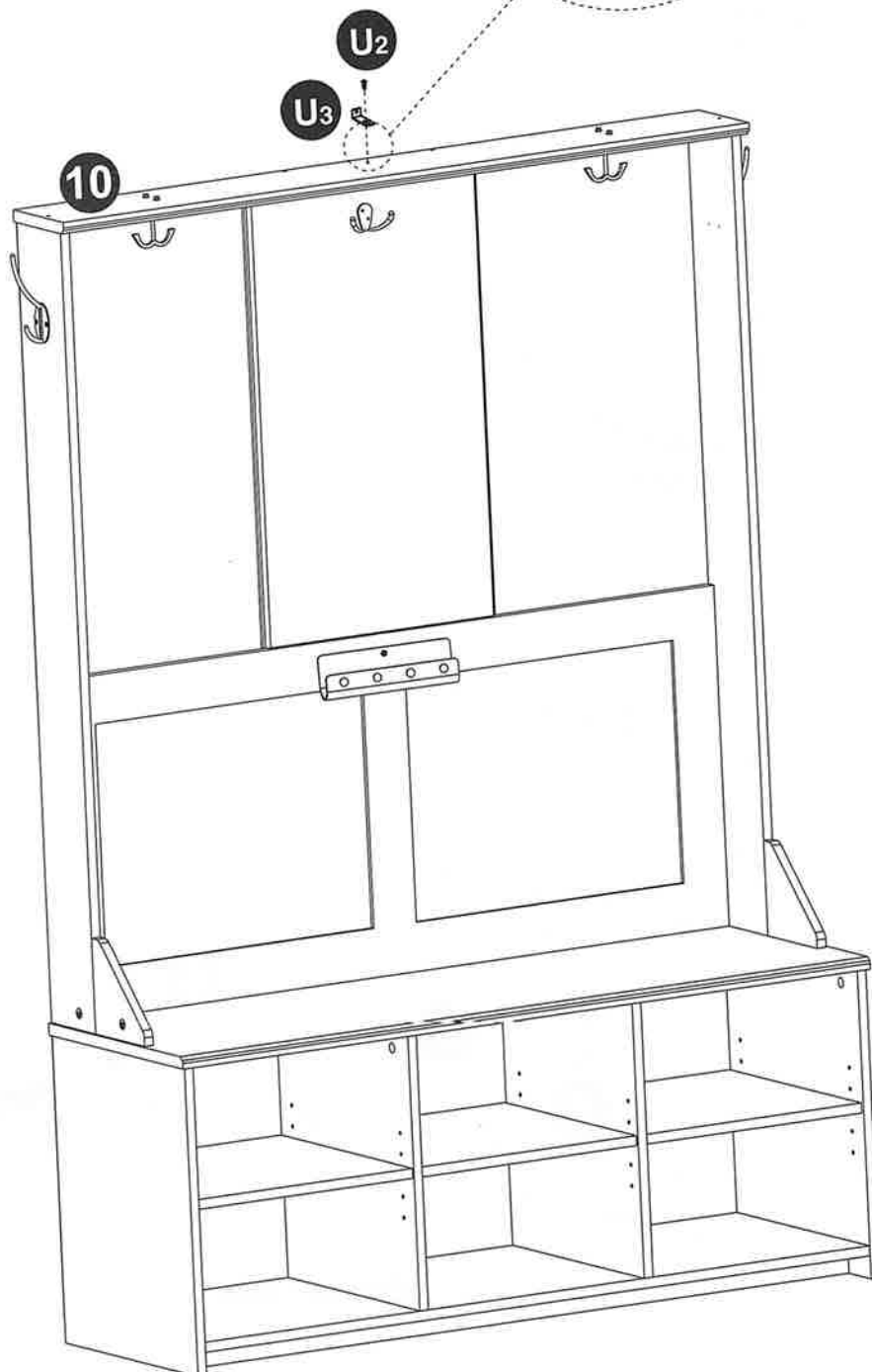
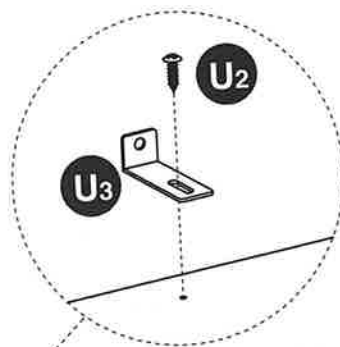




# STEP 17

U<sub>2</sub> x 1pc

U<sub>3</sub> x 1pc

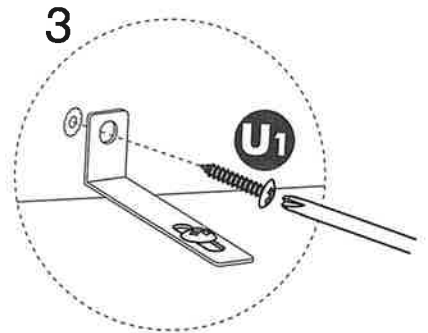
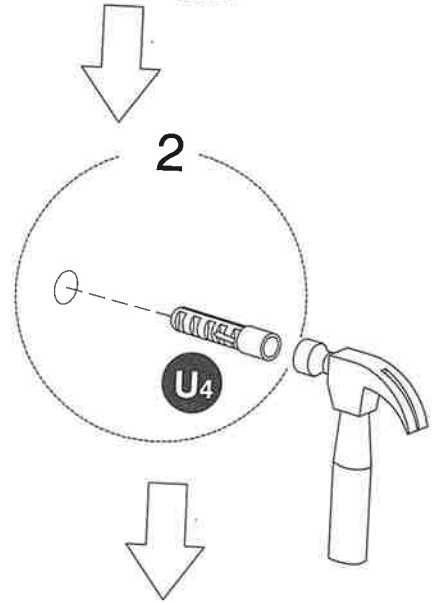
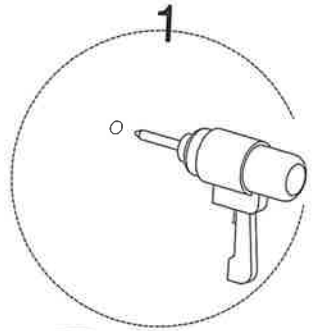
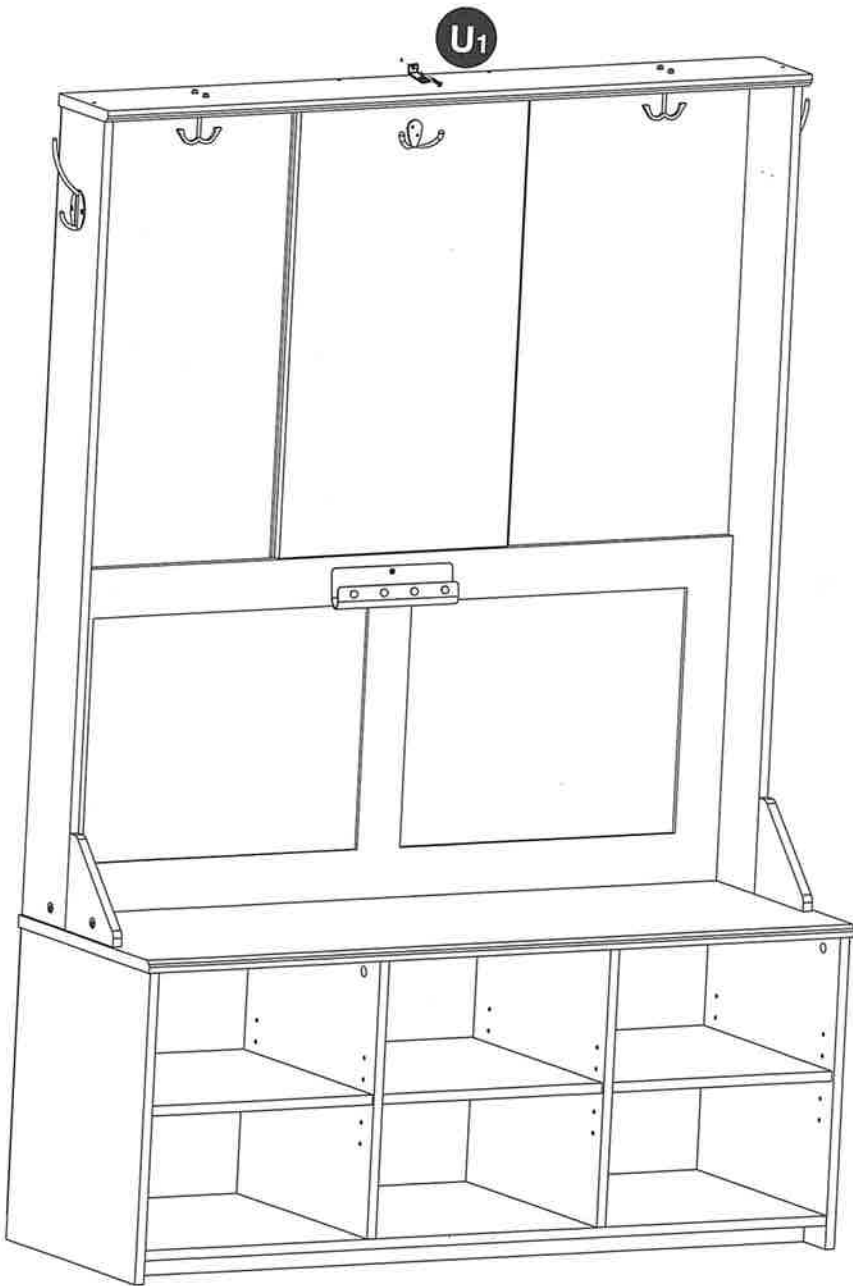
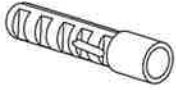


# STEP 18

U<sub>1</sub> x 1pc



U<sub>4</sub> x 1pc



# Maximum weight capacities

