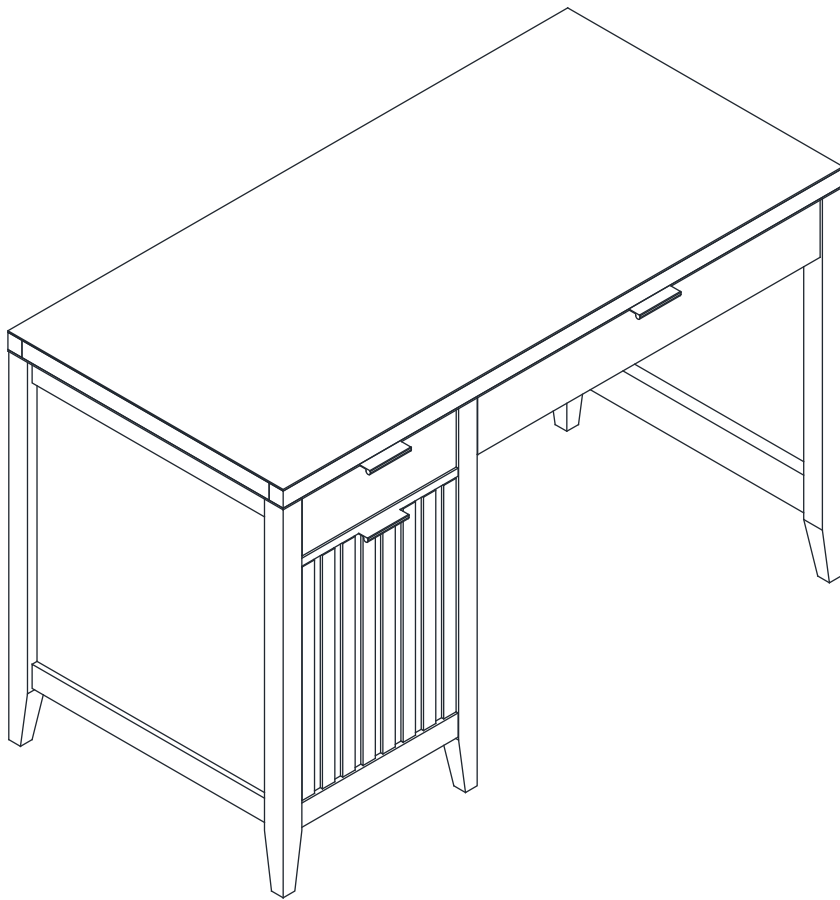


# ASSEMBLY INSTRUCTION



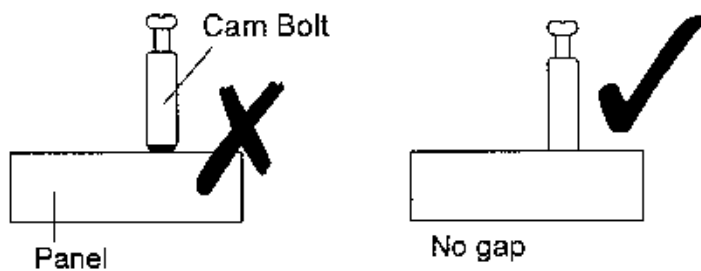
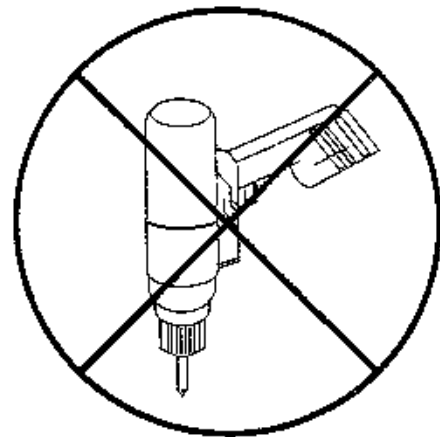
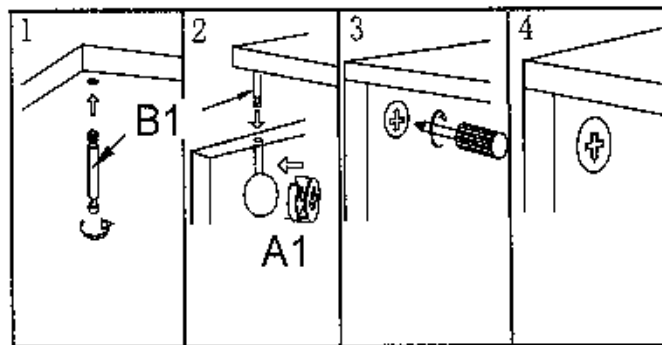
## Learning Desk

Assembly instructions and  
Warranty information

The maximum recommended weight allowance is 88 lbs (40 kg) for top surface.

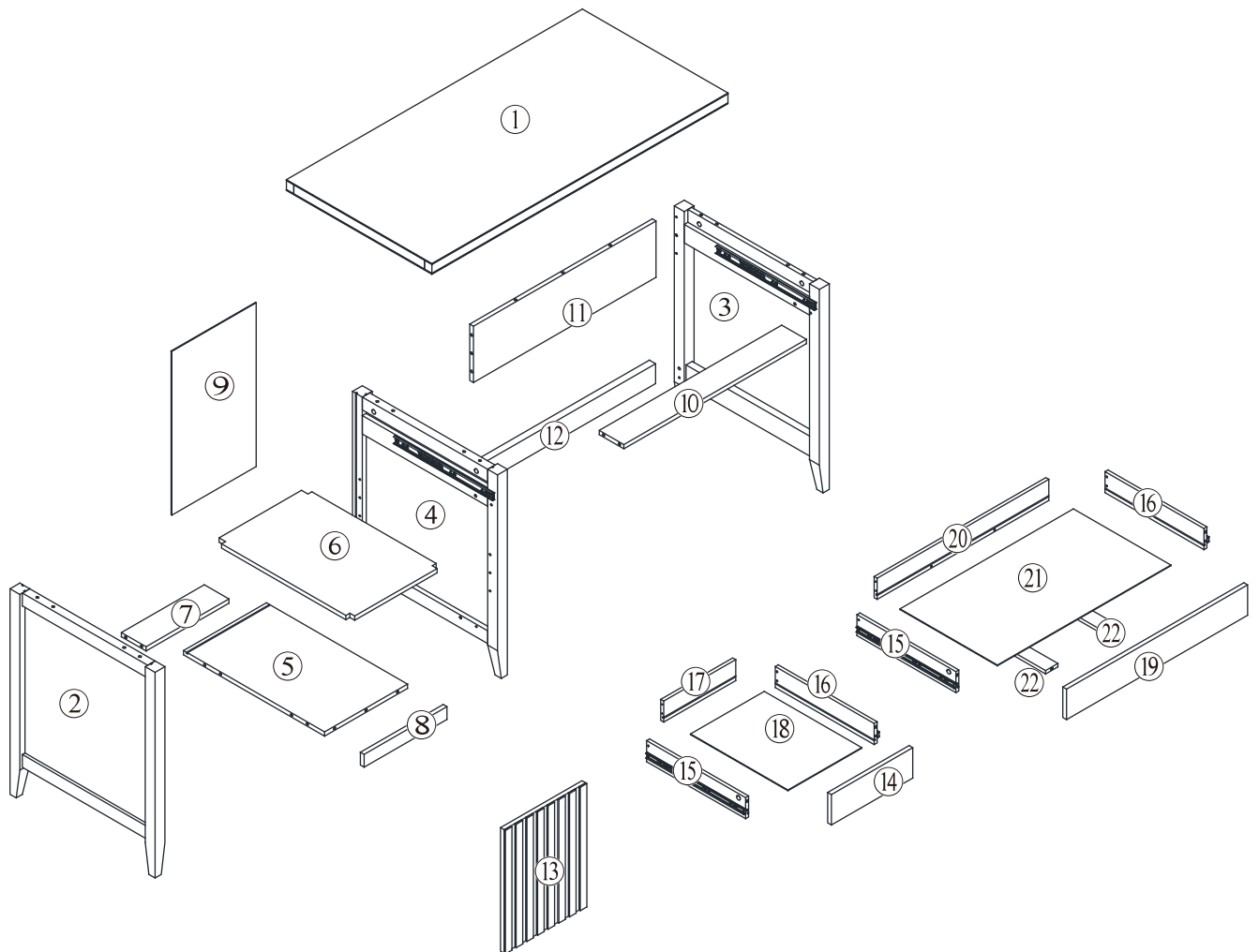
## Installation of Cam Lock&Cam Bolt:

Screw the Cam Bolt into hole. To set Cam Lock correctly, ensure the arrow on the cam head points to the hole of the Cam Bolt it is locking. Lock Cam by turning cam head one third clockwise with screwdriver, Do not overtighten. Please don't use an Electric Screwdriver to assemble the unit.

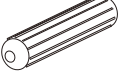
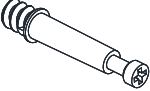





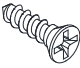
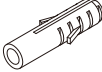


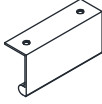

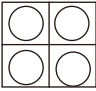
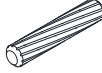
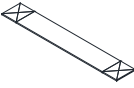

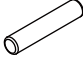

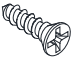
# PARTS LIST

- |       |       |       |       |       |       |
|-------|-------|-------|-------|-------|-------|
| ① x 1 | ② x 1 | ③ x 1 | ④ x 1 | ⑤ x 1 | ⑥ x 1 |
| ⑦ x 1 | ⑧ x 1 | ⑨ x 1 | ⑩ x 1 | ⑪ x 1 | ⑫ x 1 |
| ⑬ x 1 | ⑭ x 1 | ⑮ x 2 | ⑯ x 2 | ⑰ x 1 | ⑱ x 1 |
| ⑲ x 1 | ⑳ x 1 | ㉑ x 1 | ㉒ x 2 |       |       |

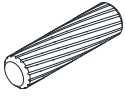


# PARTS LIST

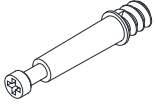
Name	Part	Qty.	Spare
A Φ7.8 x 30mm Dowel		20	
B Cam Bolt		30	
C Cam Lock		30	
D Φ4 x 40 mm Screw		2	
E Φ4 x 20 mm Screw		2	
F Φ5 x 35 mm Screw		10	
G Connector		6	
H Φ3 x 16 mm Screw		6	
I Anchor		2	

Name	Part	Qty.	Spare
J Handle		3	
K Φ3.5 x 12 mm Screw		6	
L Sticker		8	
M Φ5.8 x 30mm Dowel		4	
N Bracket		2	
O Washer		4	
P Shelf pin		4	
Q Hinge		2	
R Φ4 x 14 mm Screw		12	

# STEP 1



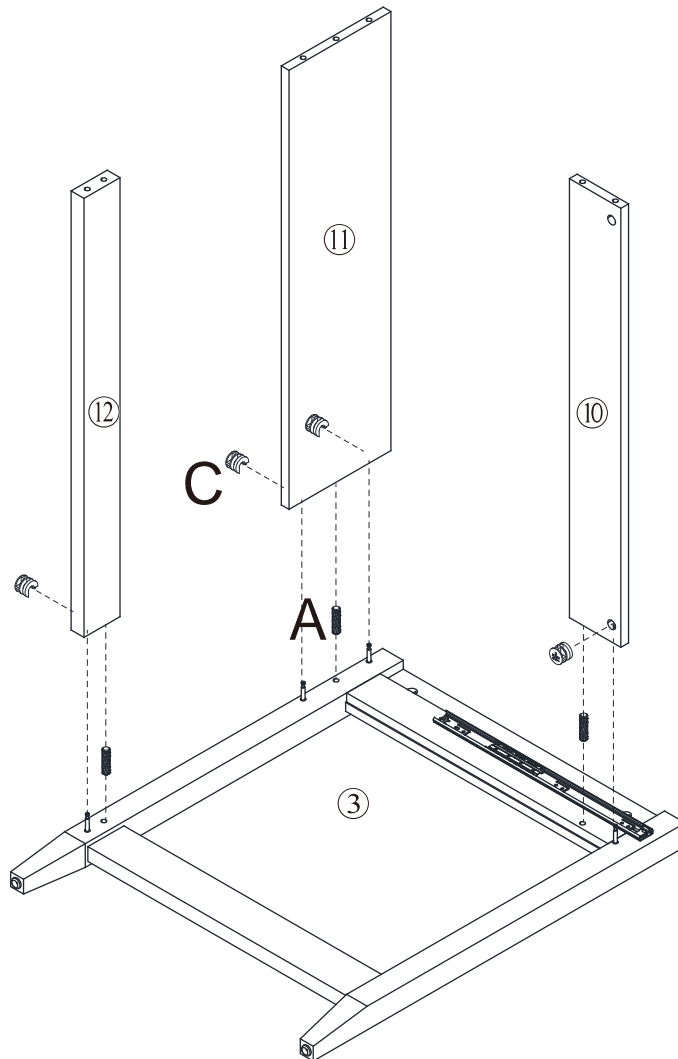
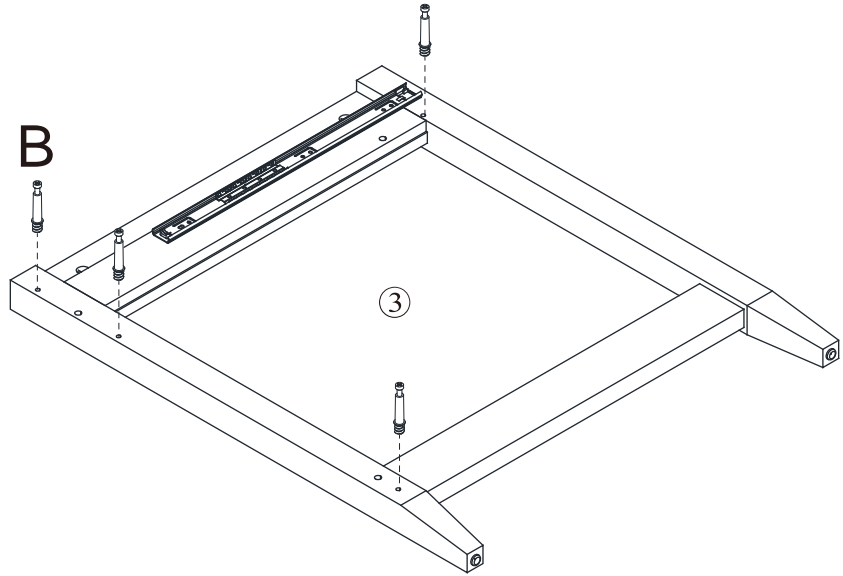
A x 3



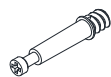
B x 4



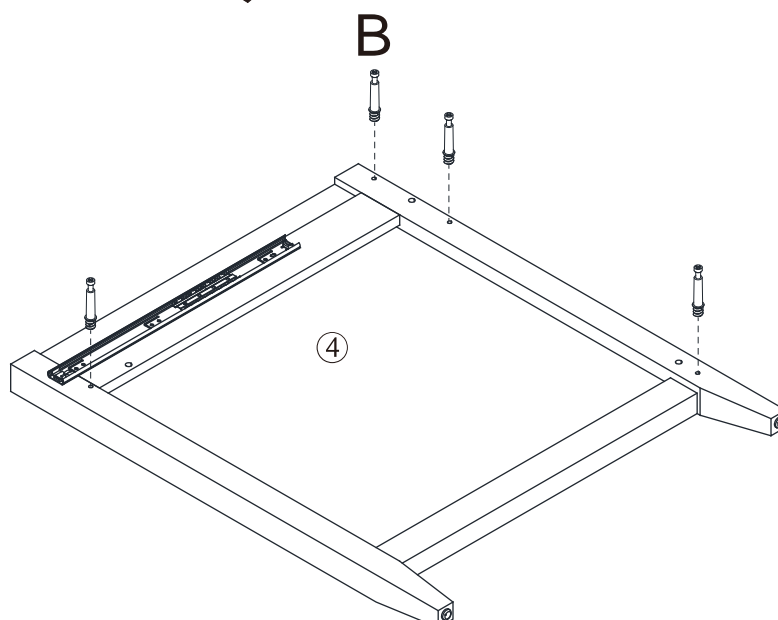
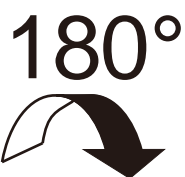
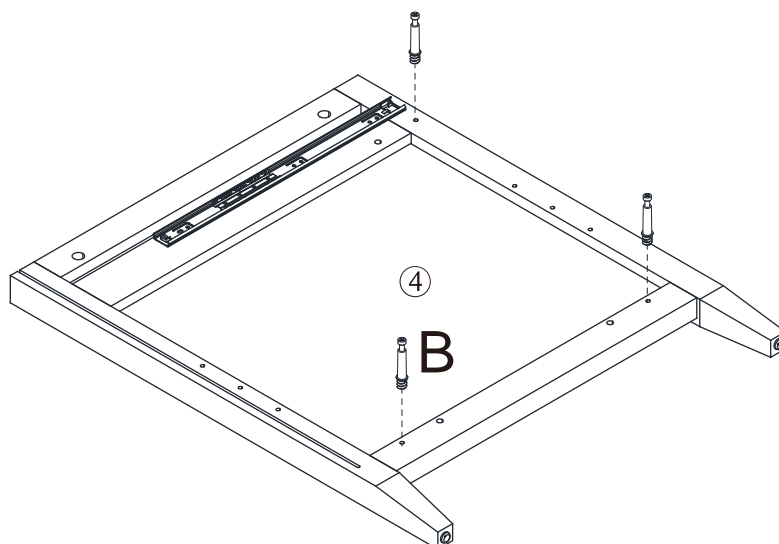
C x 4



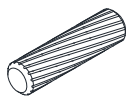
# STEP 2



B x 7



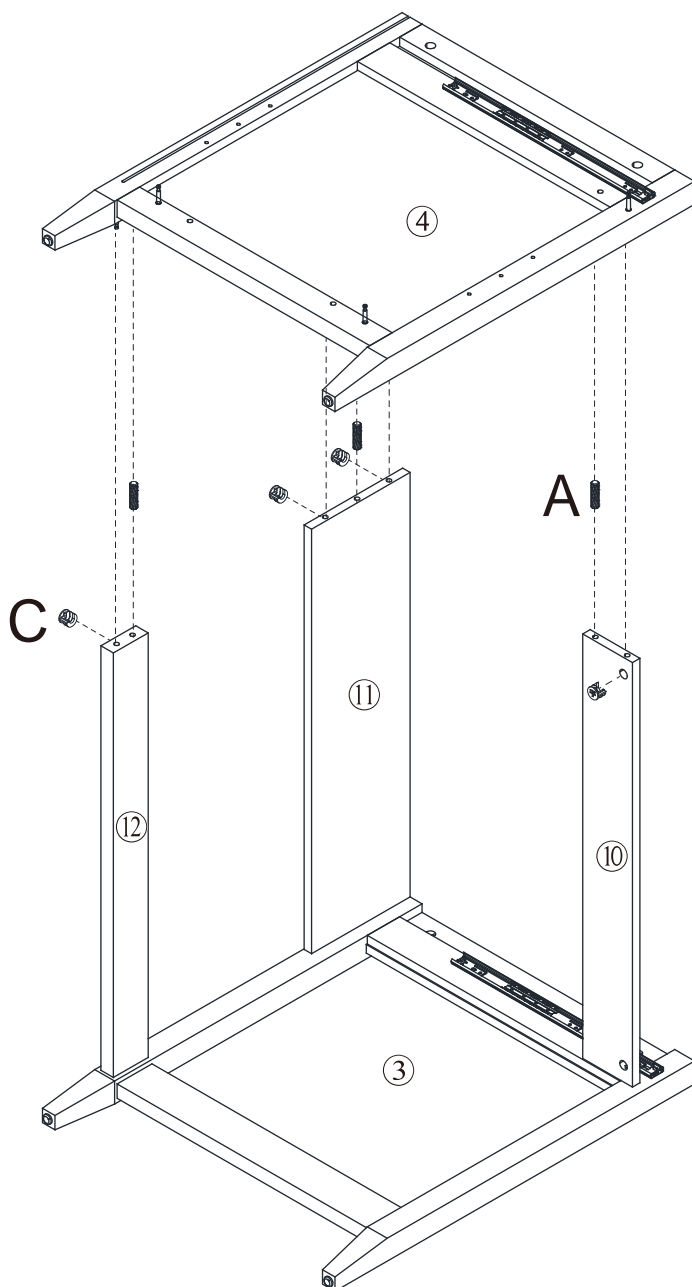
# STEP 3



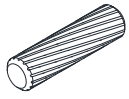
A x 3



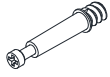
C x 4



# STEP 4



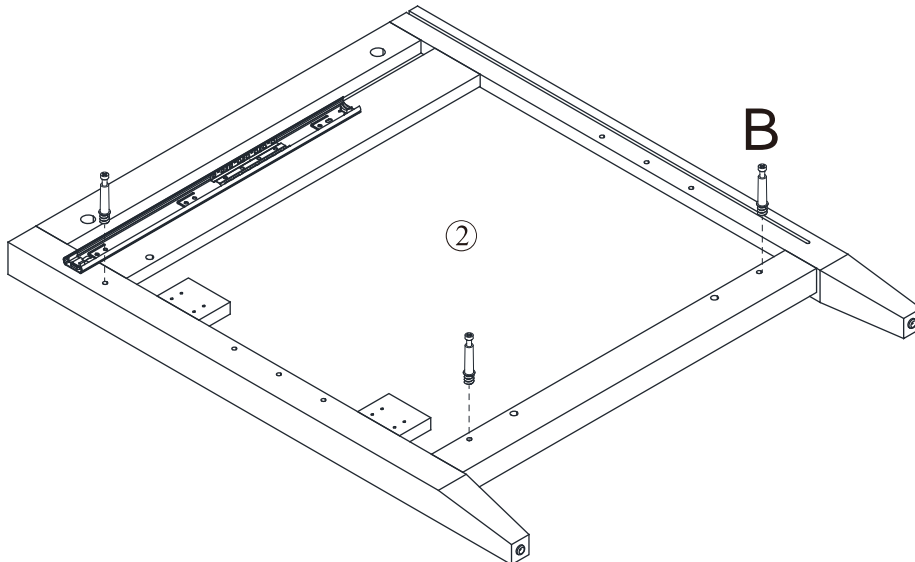
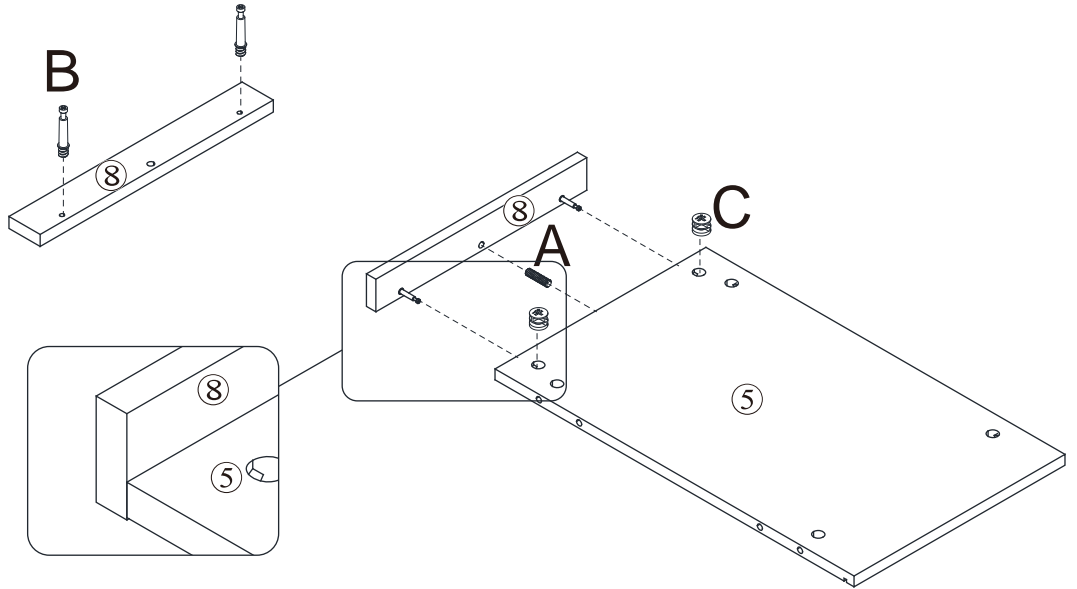
A x 1



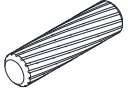
B x 5



C x 2



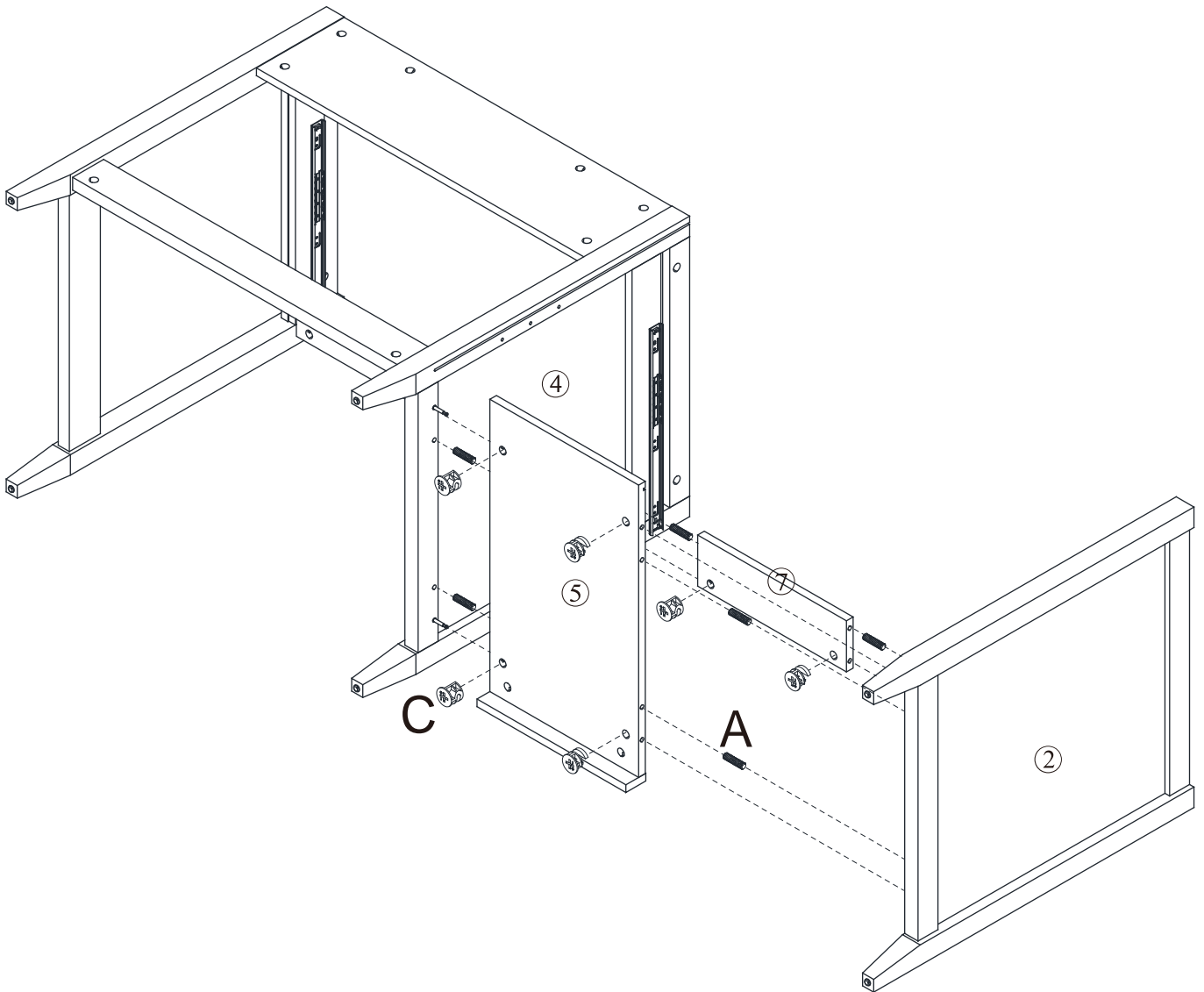
# STEP 5



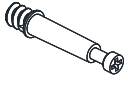
A x 6



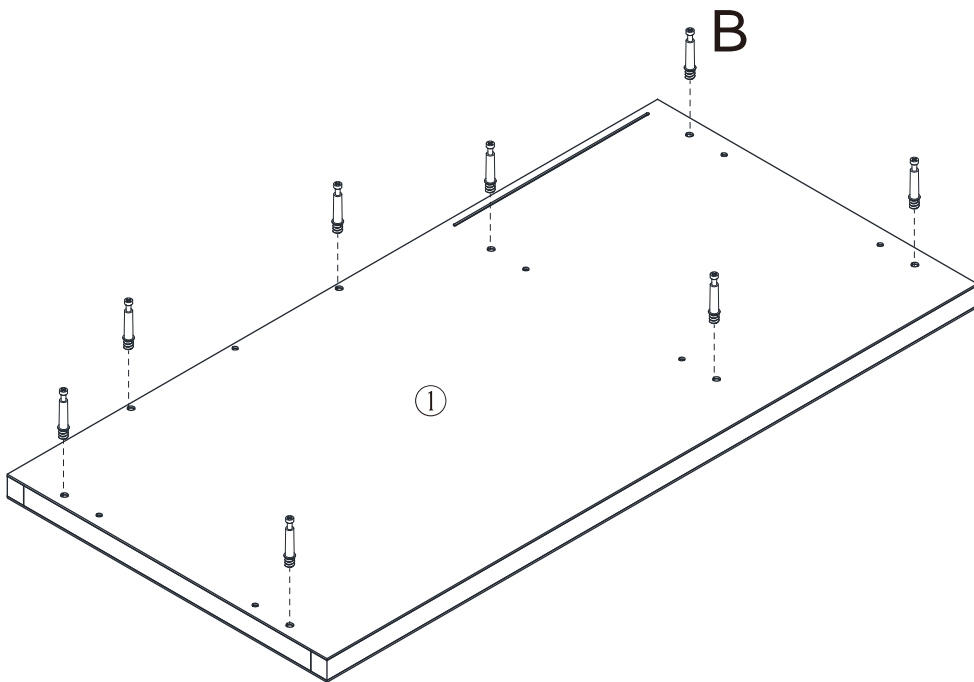
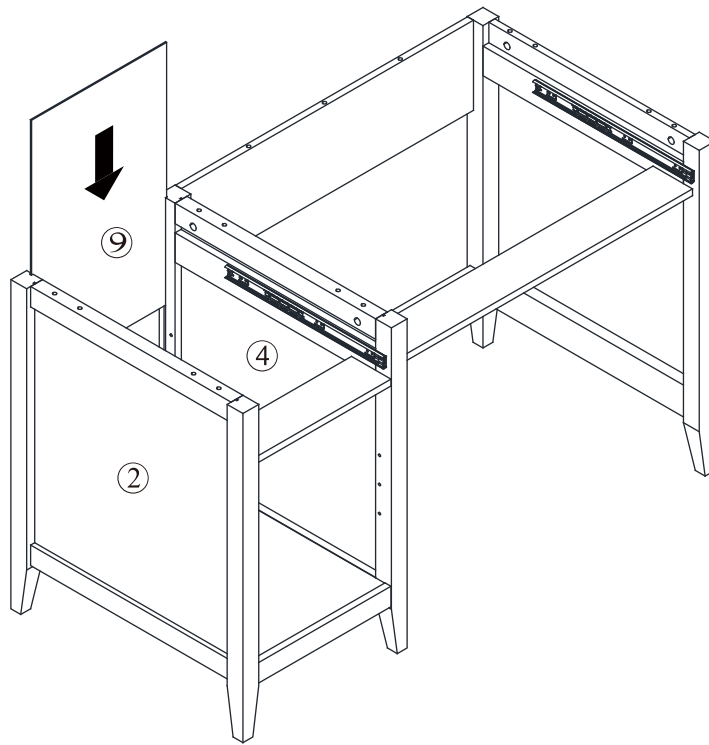
C x 6



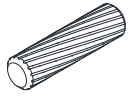
# STEP 6



B x 8



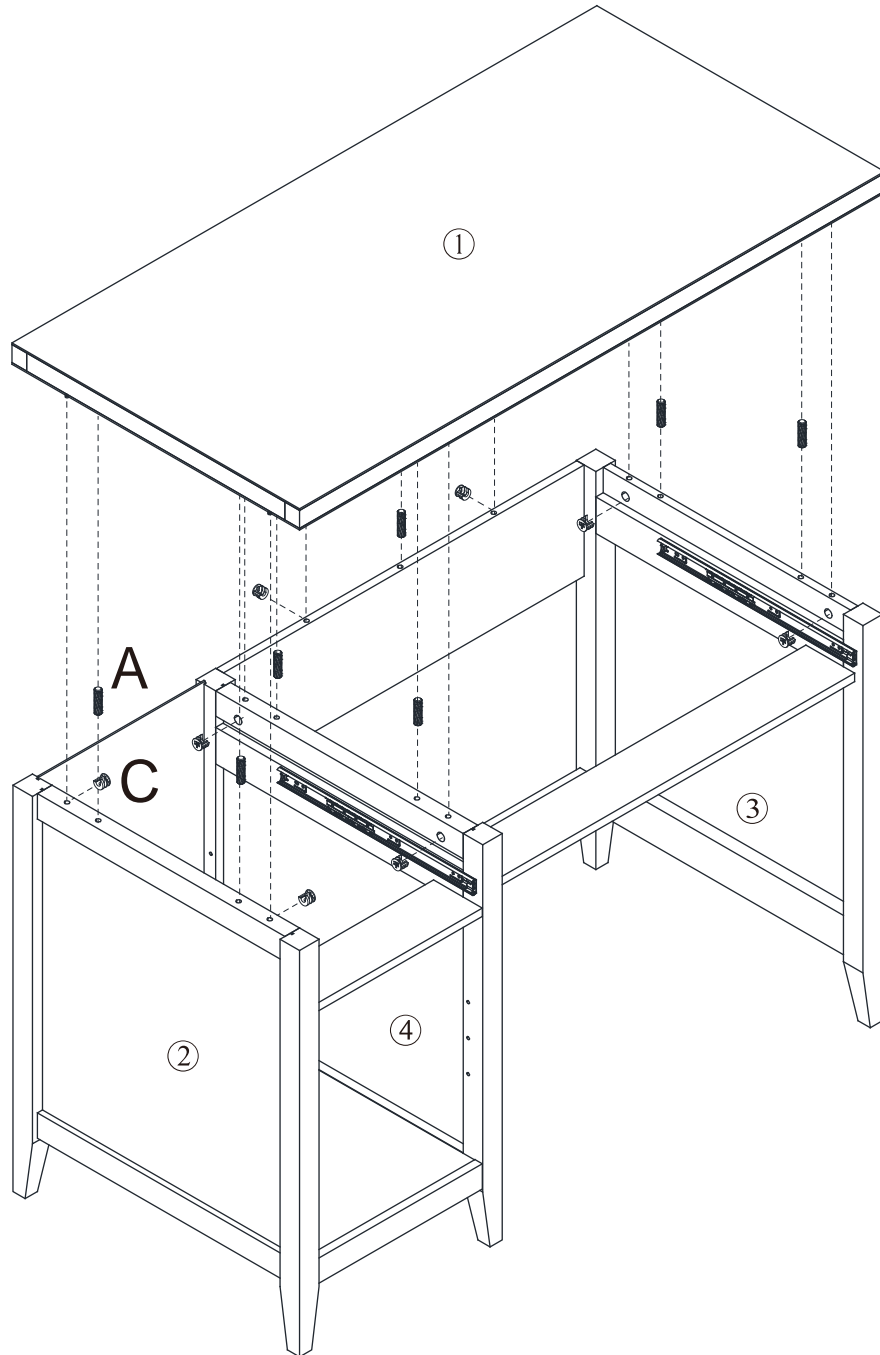
# STEP 7



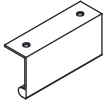
A x 7



C x 8



# STEP 8



J x 1



K x 2



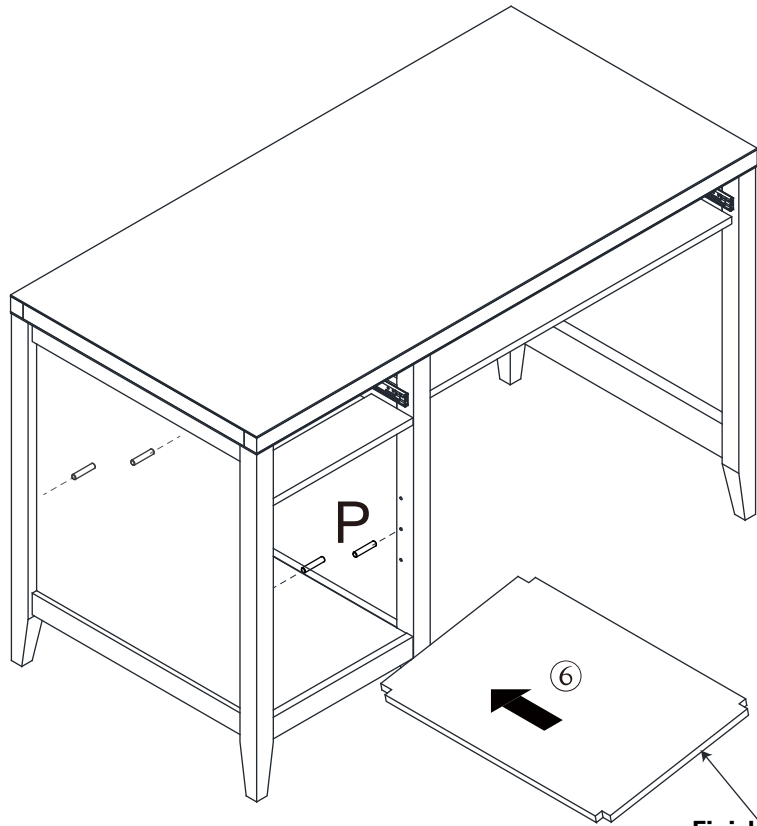
P x 4



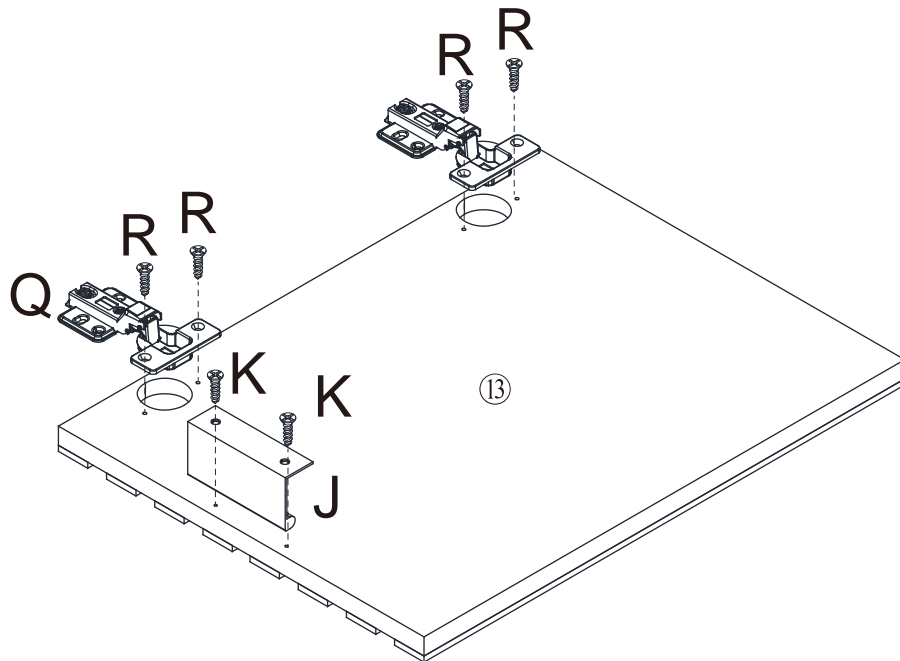
Q x 2



R x 4



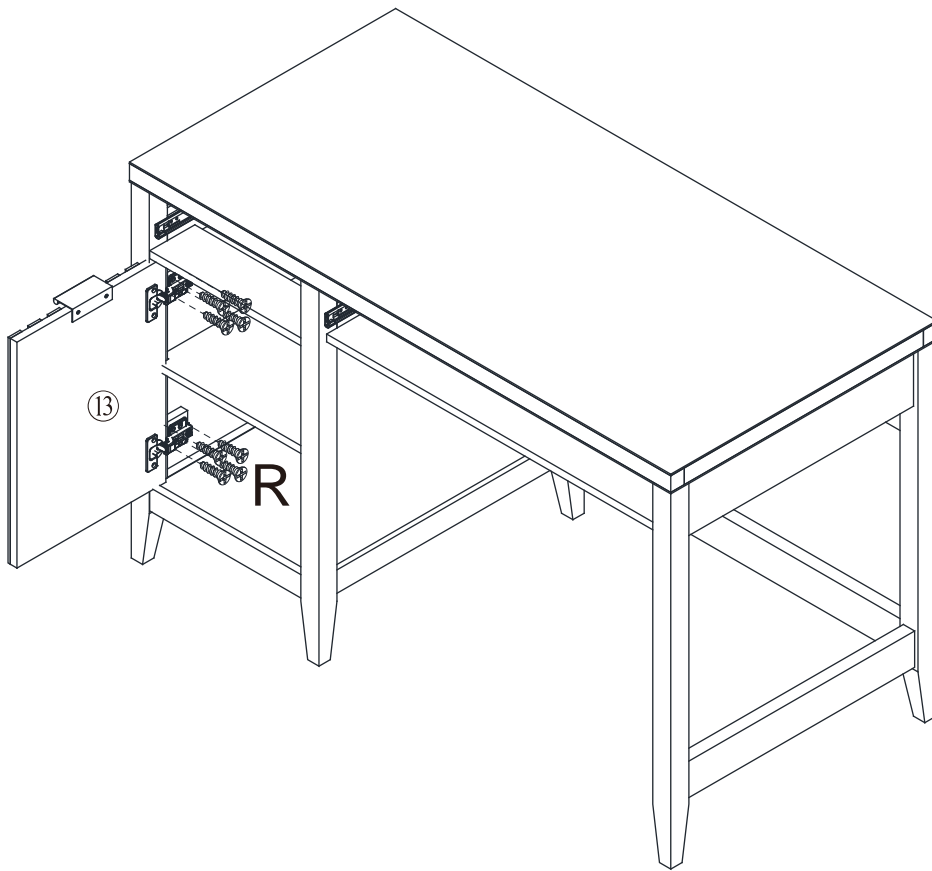
Finished Edge



# STEP 9



R x 8



## Huali Trading Australia Pty Ltd Limited Three Year Warranty

This limited warranty covers the original purchase of new products used for normal commercial, personal or household use. Huali Trading Australia Pty Ltd (HTA) warrants its products will be free from defects in materials and workmanship (normal wear and tear excepted), for three (3) years from the date of purchase, except as provided below. **Any defective part for this product must be reported to HAT by the purchaser within 30 days of when defect becomes known.** HAT, at its' option, will **repair or replace this product or component(s) free of charge. Original sales receipt will be required prior to repair or replacement.** This warranty applies under conditions of normal use. This warranty does not apply to damage caused by fire, accident, negligence, misuse, use other than as stated in product instructions, improper cleaning or other circumstances not directly attributable to defects in materials and workmanship.

**The word defects in this warranty is defined as imperfections that impair the use of the furniture product.**

Natural variations occurring in wood or other materials will not be considered defects, and HTA does not warrant the colour – fastness or matching of colours, grains, or textures of such materials. This Warranty does not apply to: modifications of the product, attachments to the product not approved by HTA, and products that were not installed, used, or maintained in accordance with product instructions and warnings.

This warranty has the following exceptions: Fabrics, foam, veneer finishes and other covering materials are warranted for two (2) years from date of purchase.

Proof of purchase is required in the form of a receipt (copy or original) to validate warranty. All warranty claims can either be sent to:

[sales@hualitrading.com.au](mailto:sales@hualitrading.com.au)

Or faxed to (02) 9621 1050

HTA's sole obligation and the users exclusive remedy under this warranty shall be limited to the repair, Credit (only applies to distributors) or replacement at HTA's sole discretion and cost, of product or components under the "COMPETITION AND CONSUMER ACT 2010".

*"Our goods come with guarantees that cannot be excluded under the Australian Consumer Law. You are entitled to a replacement or refund for a major failure and for compensation for any other reasonably foreseeable loss or damage. You are also entitled to have the goods repaired or replaced if the goods fail to be of acceptable quality and the failure does not amount to a major failure".*

### Service Instructions

If you are having trouble with assembling your new furniture, please call us on (02) 9621 4701 for assistance.