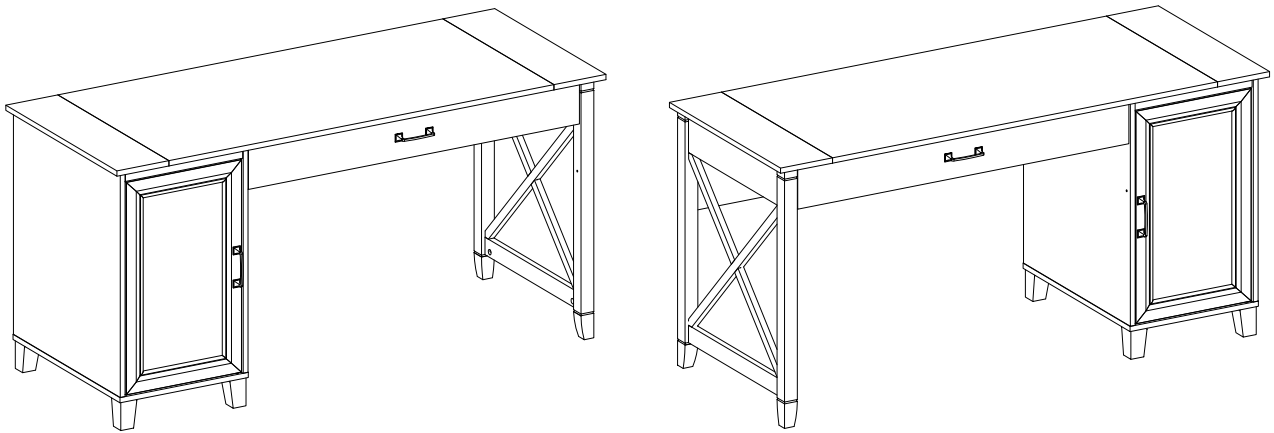


ASSEMBLY INSTRUCTIONS

ITEM#: OF1900/OF901/OF1907

Important Safety Instructions:

- Please read all instructions before beginning assembly
- Please make sure receive all the parcels to start the assembly
- For your safety and convenience, assembly by two people is recommended
- Use the parts and hardware lists to identify and separate each of the components included
- Save all packing materials until assembly is completed to avoid the accidental discarding of smaller parts or hardware



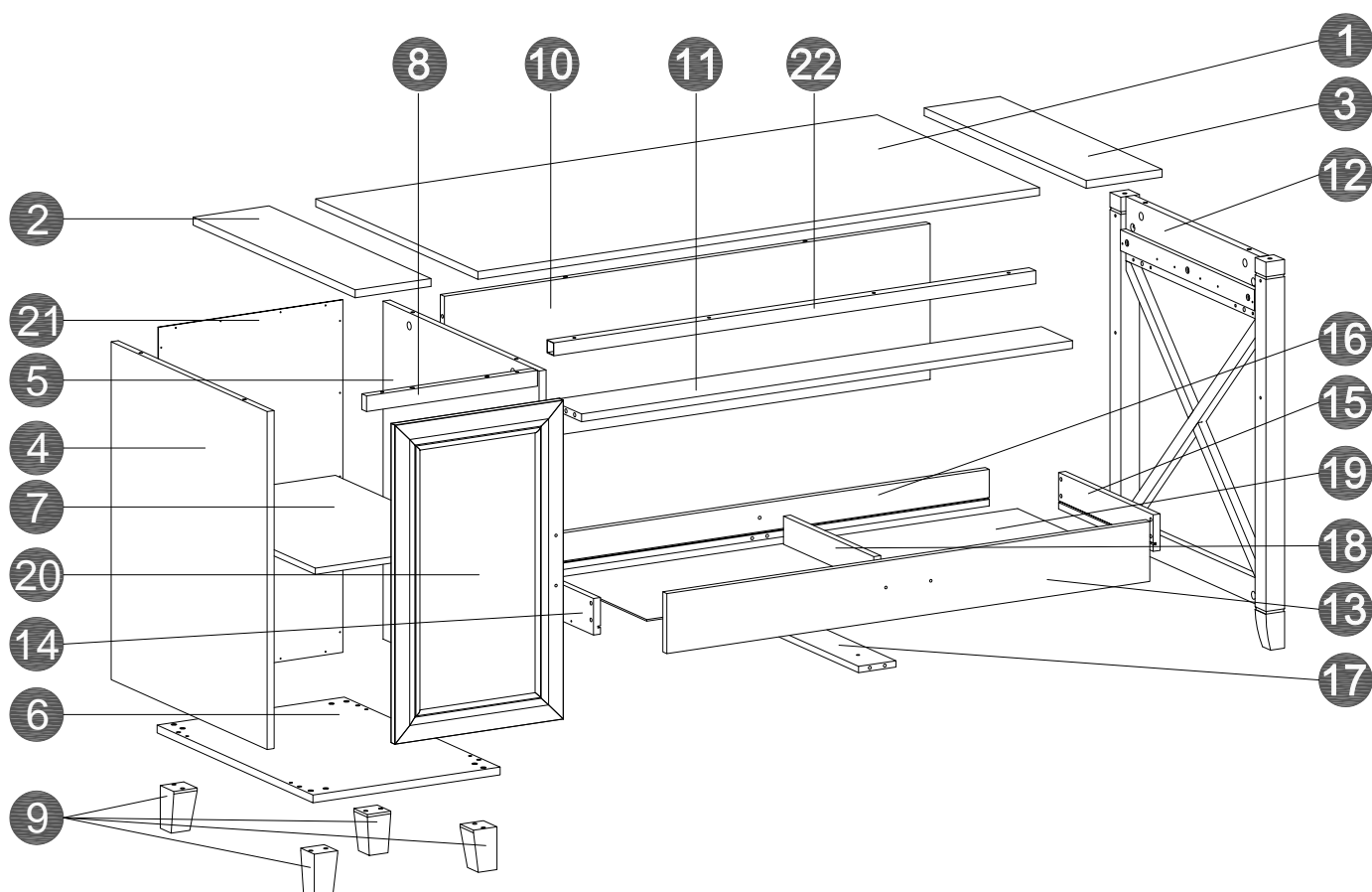
This product can be assembled with the cupboard on the left hand side or on the right hand side.

Please follow the assembly instructions based on your preferred orientation.

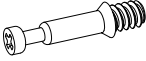


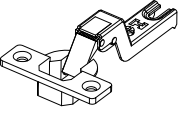
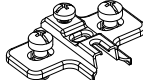

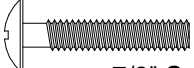

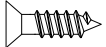

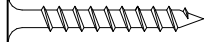
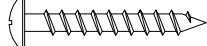
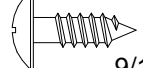
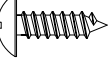
THANK YOU FOR PURCHASING

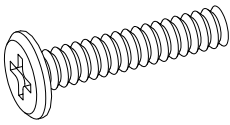
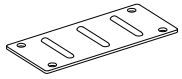
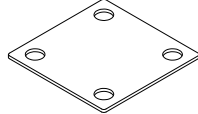

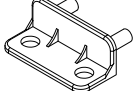

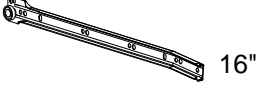
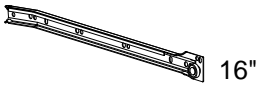
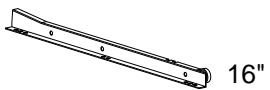
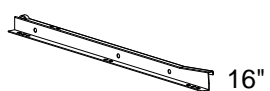
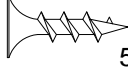
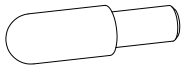
PARTS LIST

① X1	② X1	③ X1	④ X1	⑤ X1
⑥ X1	⑦ X1	⑧ X1	⑨ X4	⑩ X1
⑪ X1	⑫ X1	⑬ X1	⑭ X1	⑮ X1
⑯ X1	⑰ X1	⑱ X1	⑲ X1	⑳ X1
㉑ X1	㉒ X1			



HARDWARE LIST

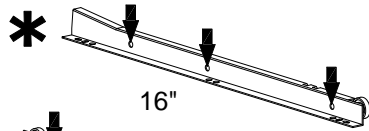
Name	Part	Qty.	Spare
A		17	1
B		17	1
C		10	1
D		2	
E		2	
F		2	
G	 7/8" Screw	4	1
H	 3/4" Nail	18	2
I	 1/2" Screw	12	3
J		4	1
K	 2" Screw	12	1
L	 1-1/2" Screw	9	1
M	 9/16" Screw	20	2
N	 1/2" Screw	4	1

Name	Part	Qty.	Spare
O		4	
P		3	
Q		1	
R		2	
S		2	
T		2	
V	 16"	1	
W	 16"	1	
X	 16"	1	
Y	 16"	1	
Z	 5/8" Screw	4	1
AA		4	

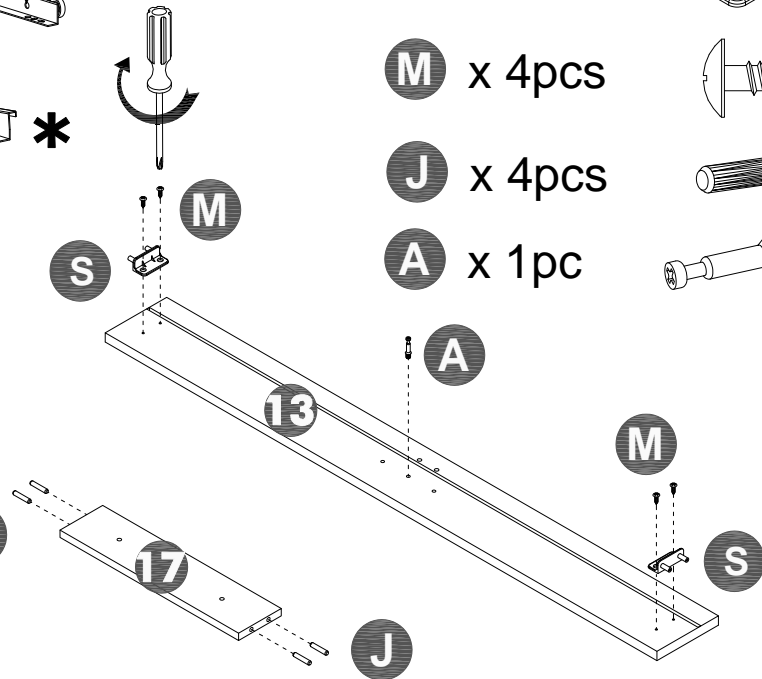
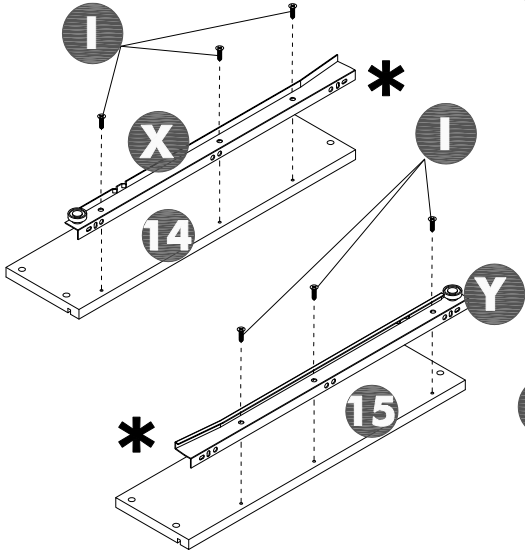
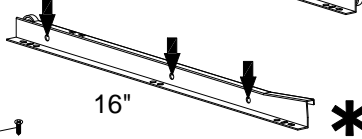
STEP 1

Do not use power screw driver, use manual screw driver.

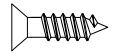
X x 1pc



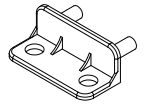
Y x 1pc



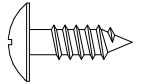
I x 6pcs



S x 2pcs



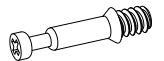
M x 4pcs



J x 4pcs



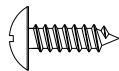
A x 1pc



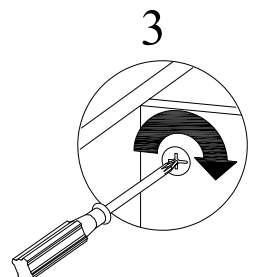
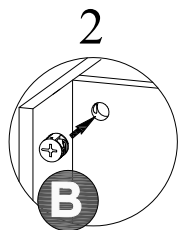
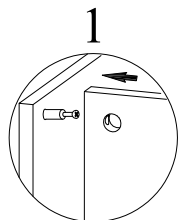
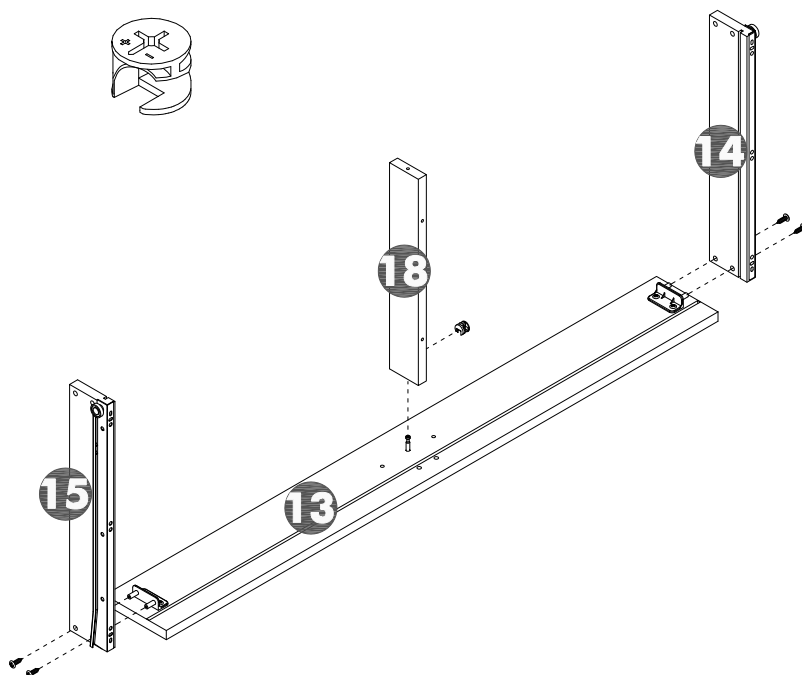
STEP 2

Do not use power screw driver, use manual screw driver.

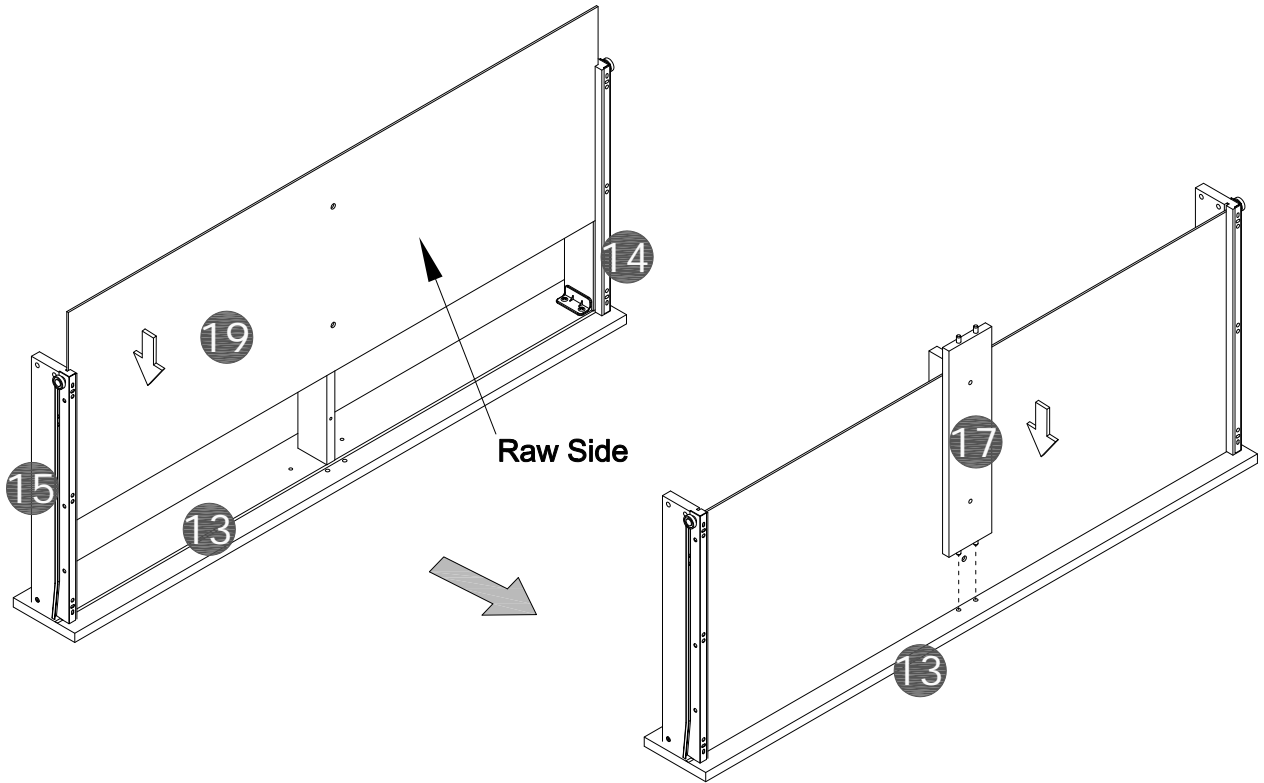
N x 4pcs



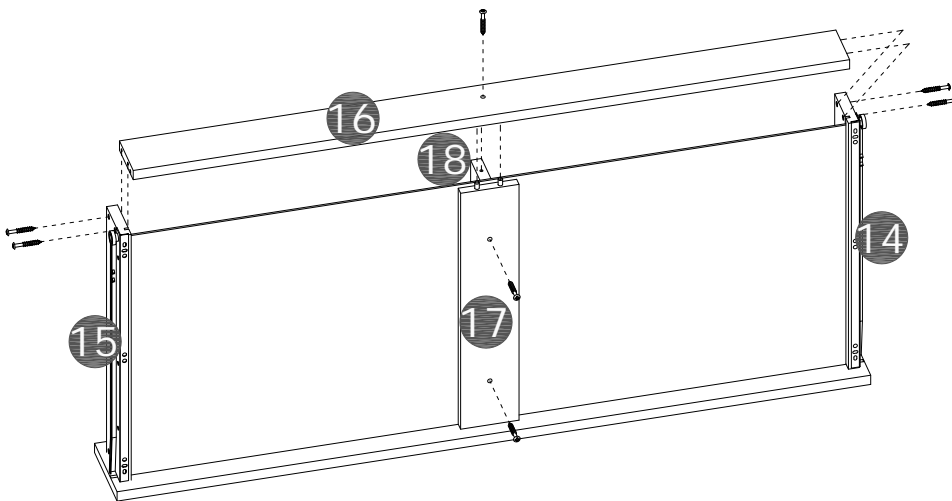
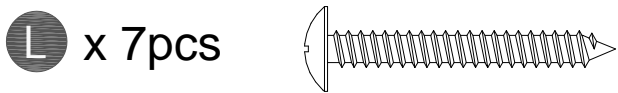
B x 1pc



STEP 3

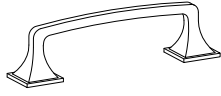


STEP 4

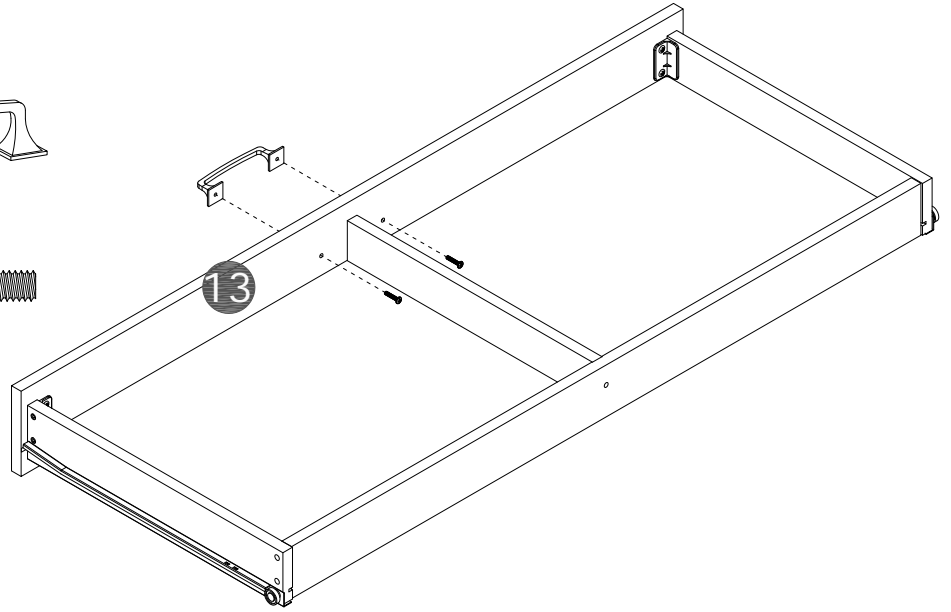
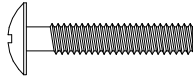


STEP 5

F x 1pc

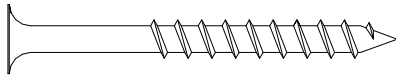


G x 2pcs

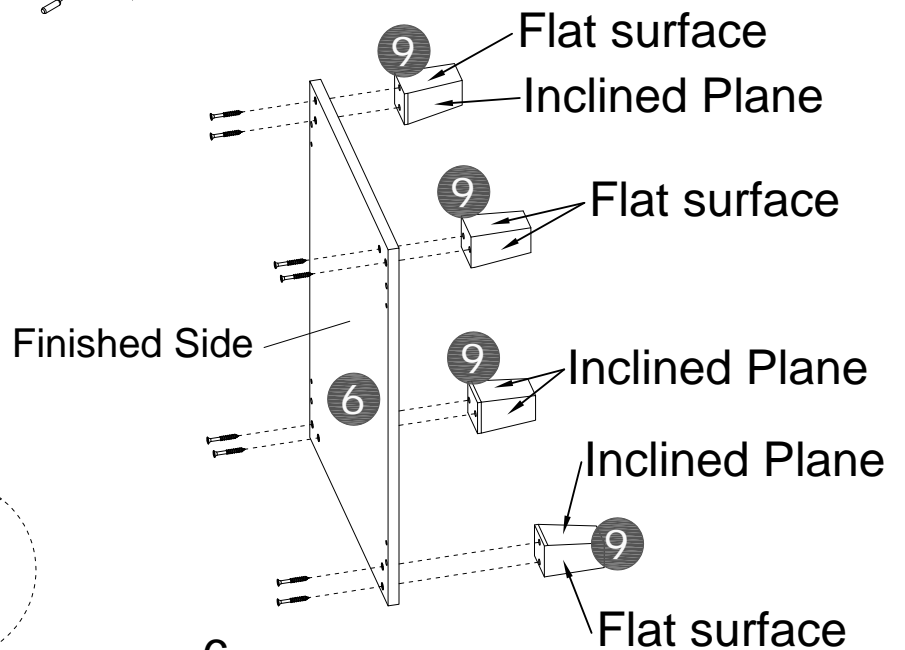
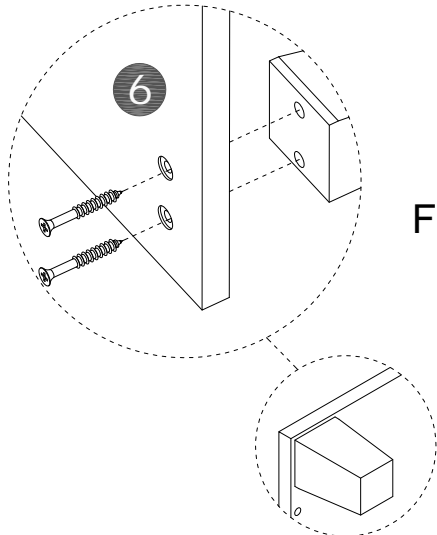
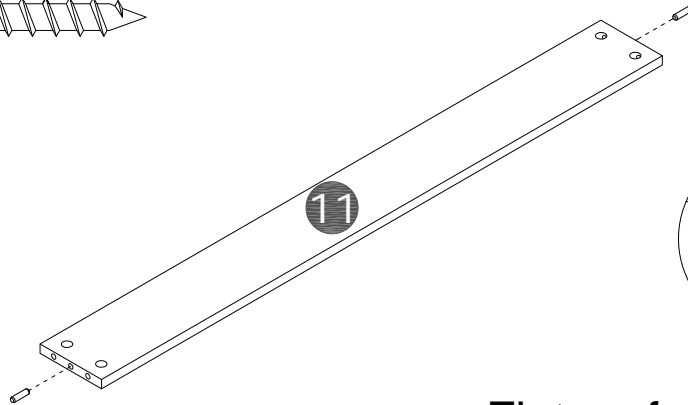
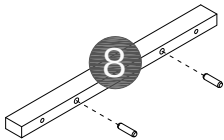


STEP 6

K x 8pcs

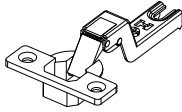


C x 4pcs

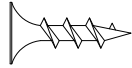


STEP 7

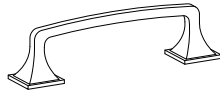
D x 2pcs



Z x 4pcs



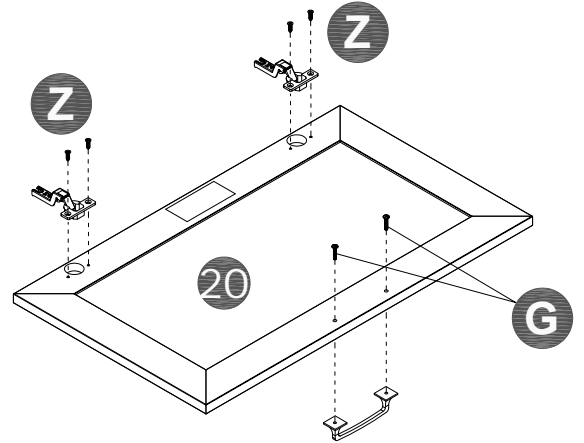
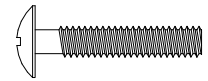
F x 1pc



WARNING

Caution, Storing electronic equipment may result in equipment overheating. Shelves located behind doors are not intended for storing electronic equipment. Placing electronic equipment in this area may result in equipment overheating

G x 2pcs

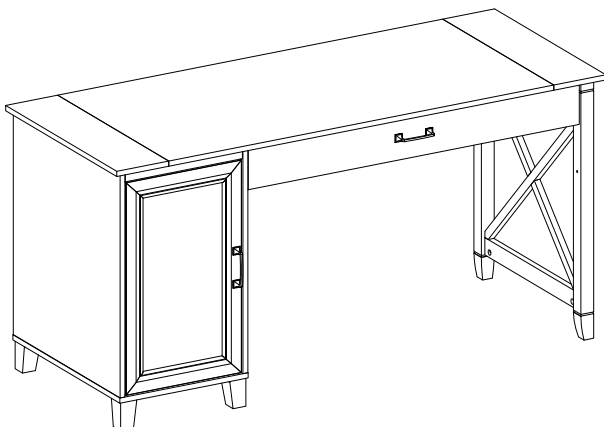


Desk Set-Up

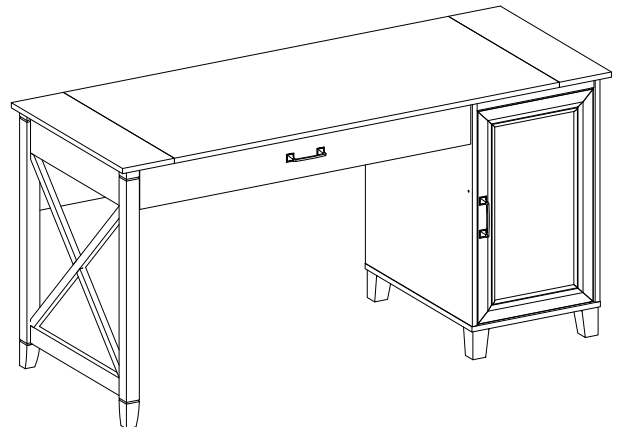
Before proceeding to the next step, the Desk can be set-up with two configurations, Option "A" and Option "B" as shown on this page.

1. If you choose to set-up your Desk as shown in Option "A" below; proceed to Step 8 and continue the assembly process. The assembly steps for Option "A" ends with Step 19.
2. If you choose to set-up your Desk as shown in Option "B" below; skip Steps 8-19 and continue with the assembly of the Desk with Step 20.

Option "A" - Go to step 8

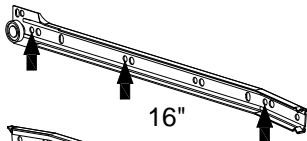


Option "B" - Go to step 20

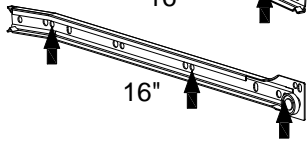


STEP 8

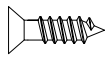
V x 1pc



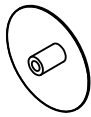
W x 1pc



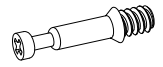
I x 6pcs



T x 2pcs



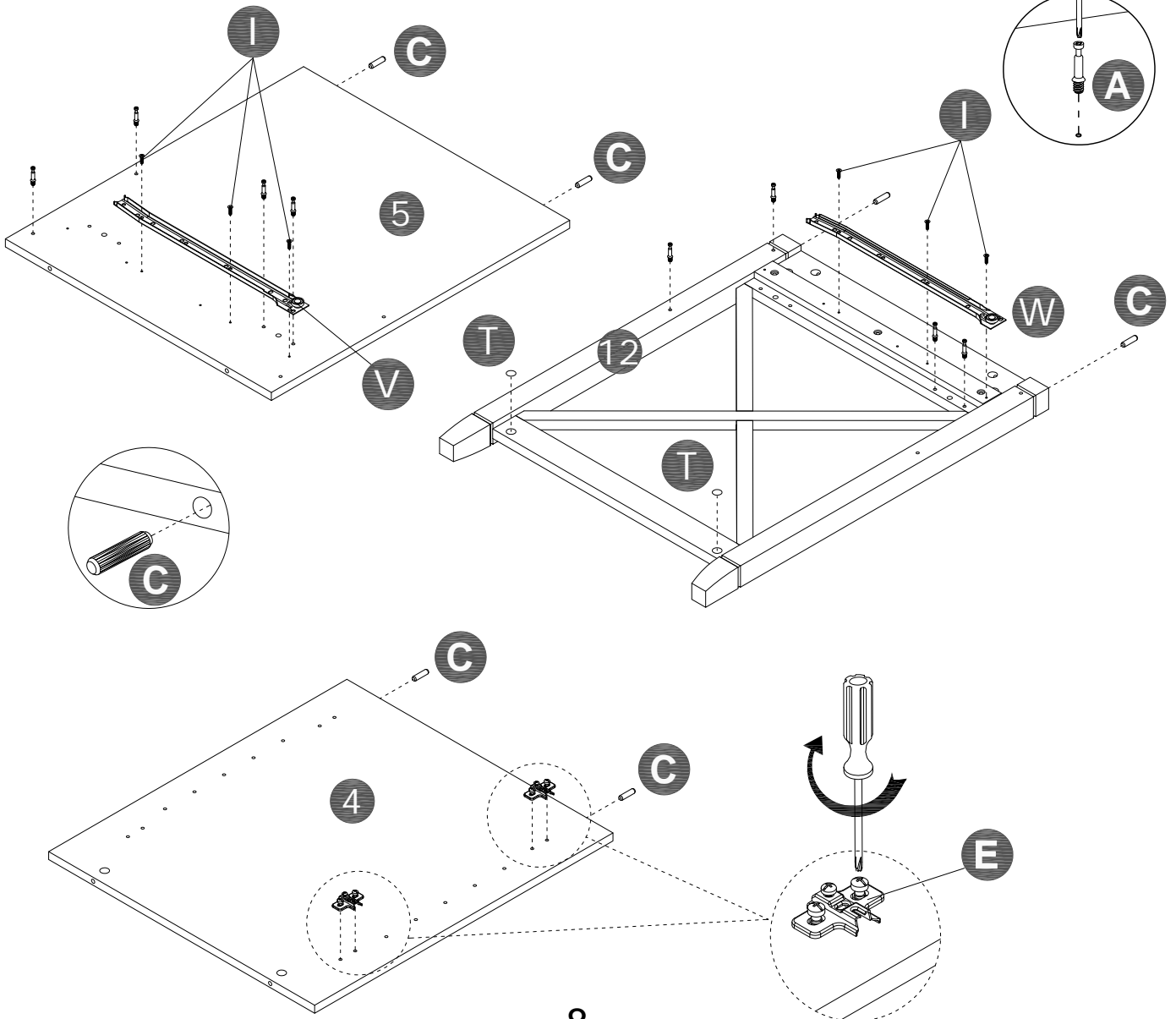
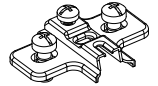
A x 8pcs



C x 6pcs

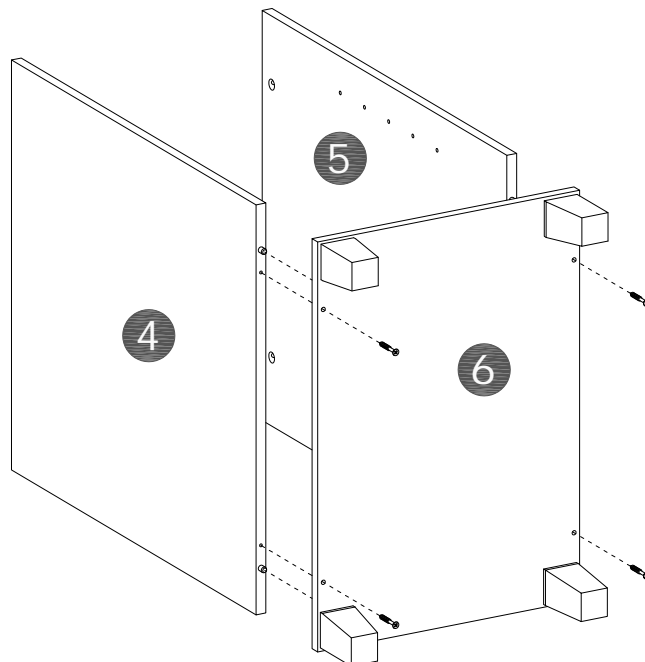
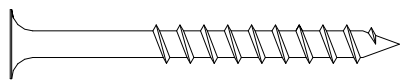


E x 2pcs



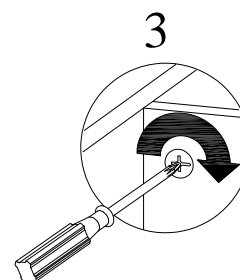
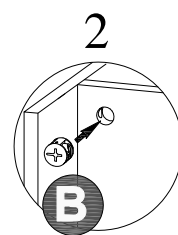
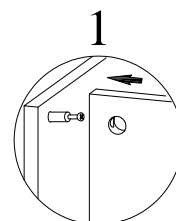
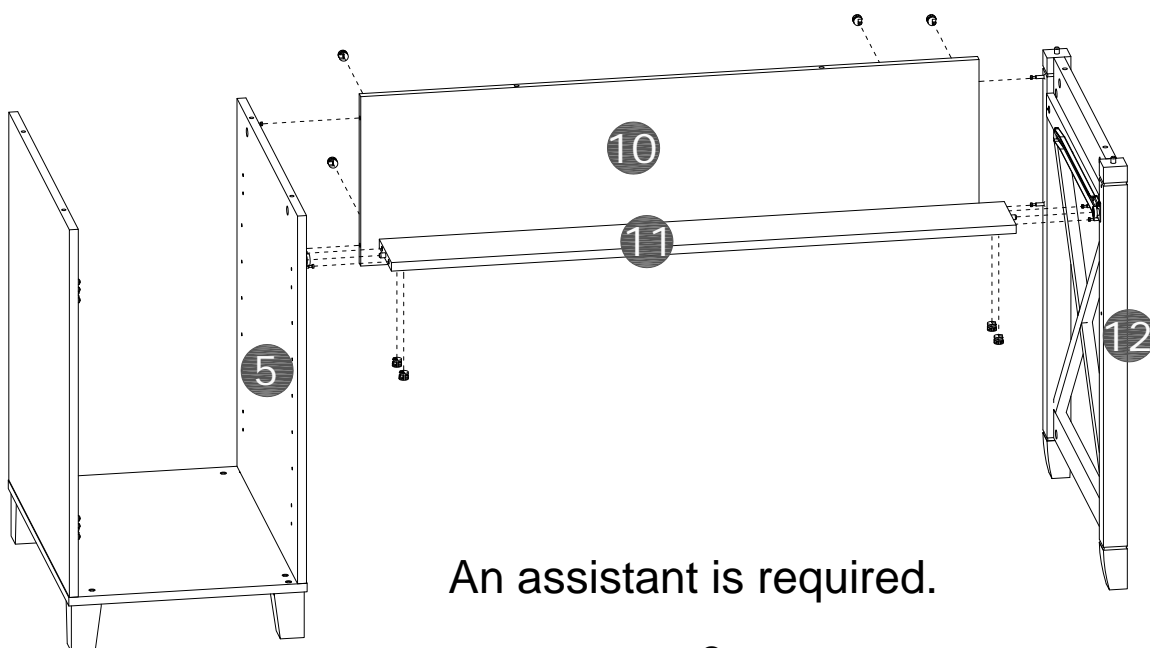
STEP 9

K x 4pcs



STEP 10

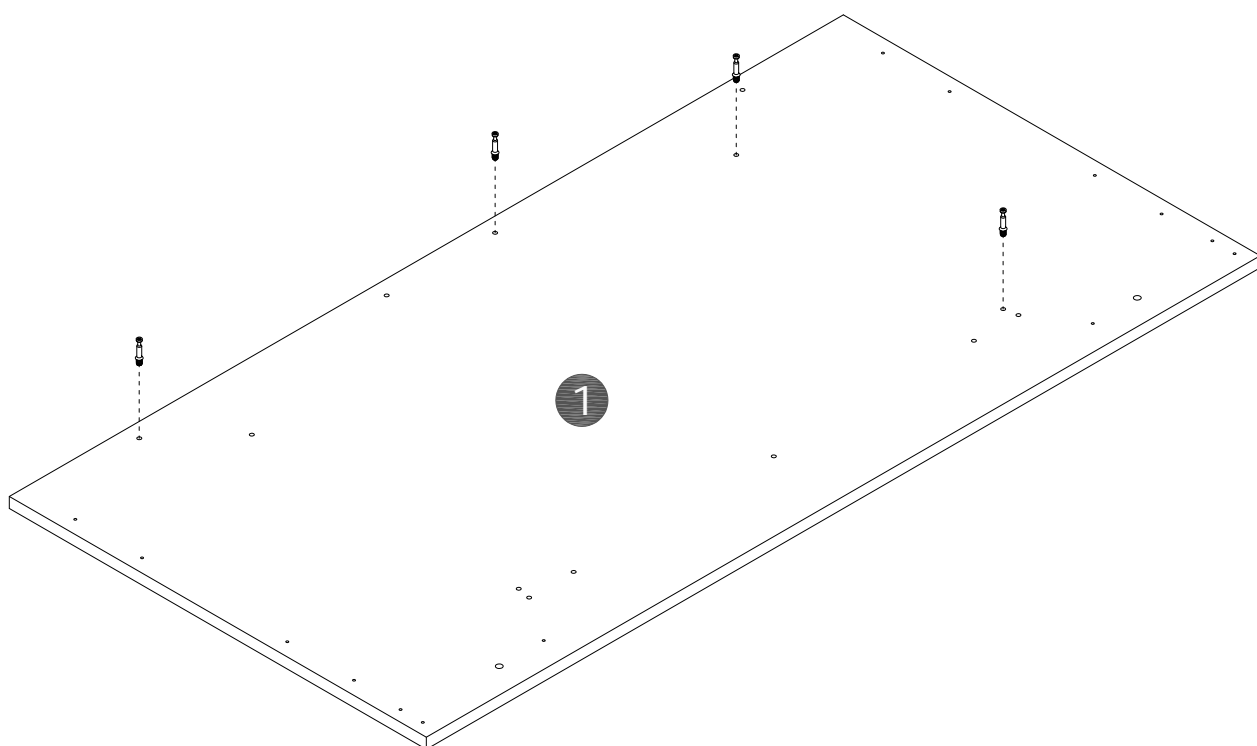
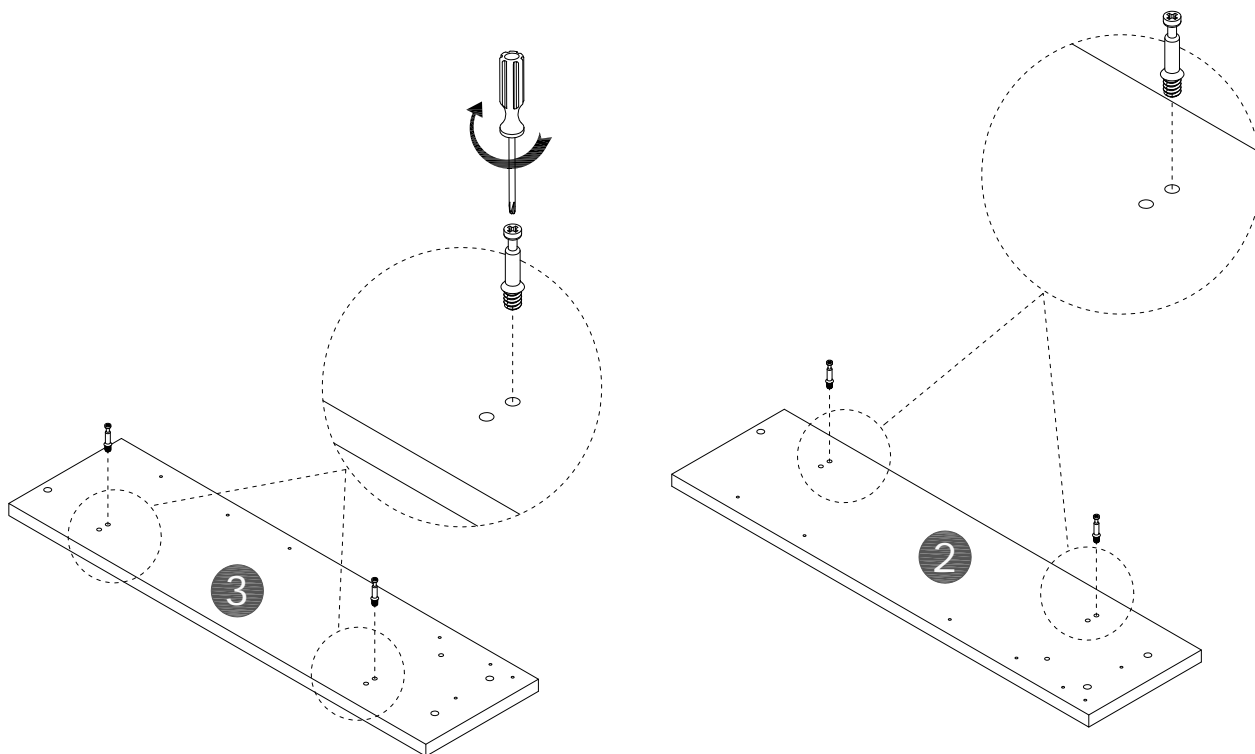
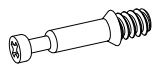
B x 8pcs



An assistant is required.

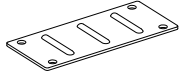
STEP 11

A x 8pcs

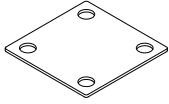


STEP 12

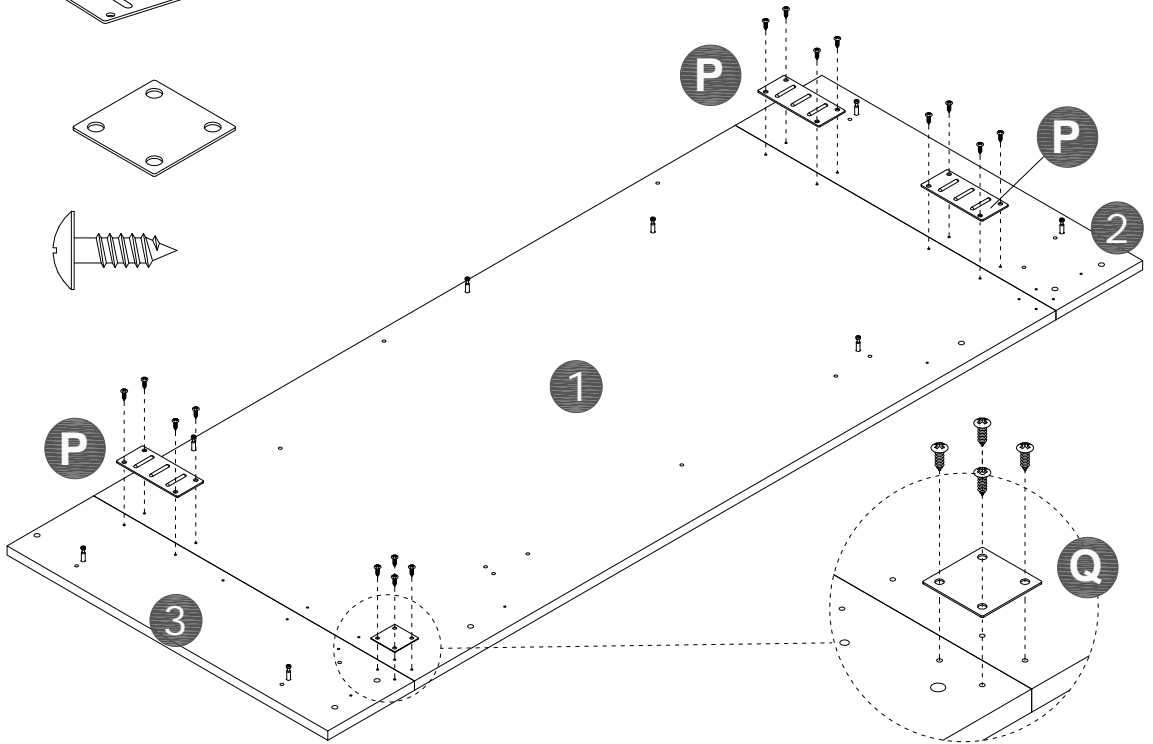
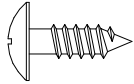
P x 3pcs



Q x 1pc

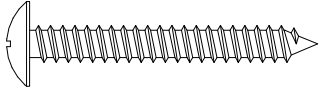


M x 16pcs

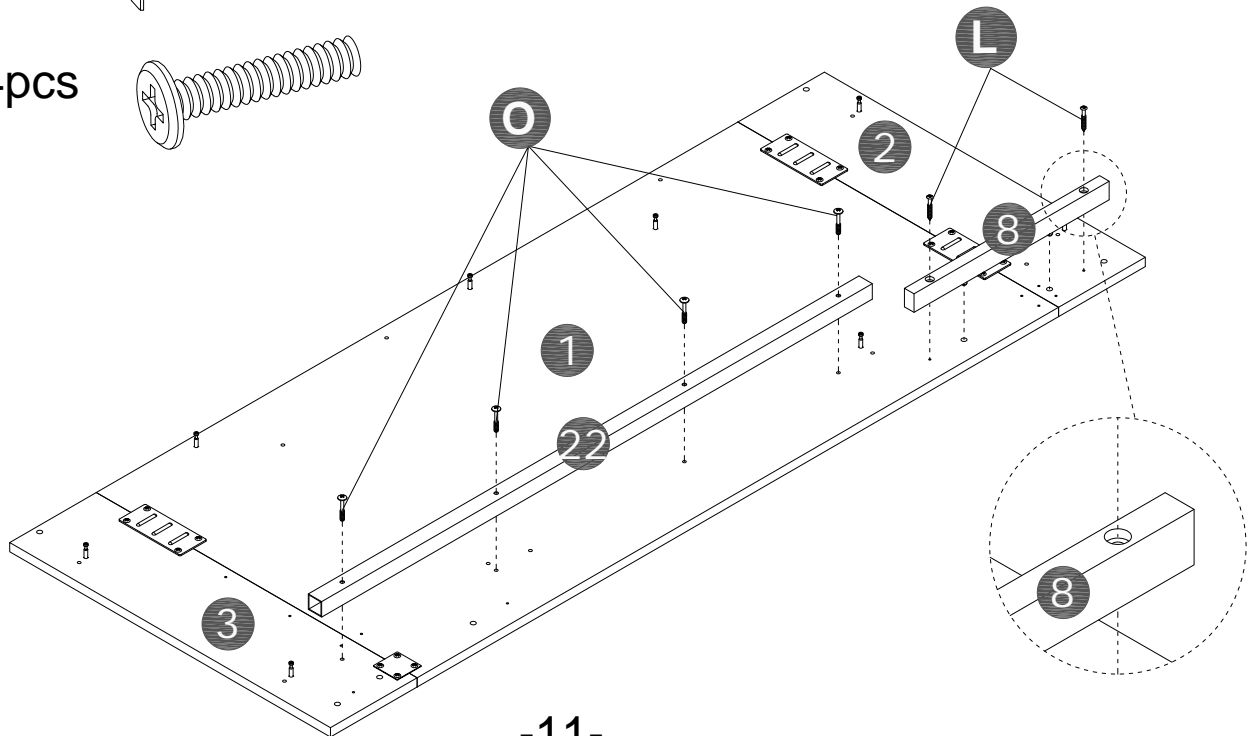
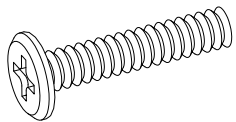


STEP 13

L x 2pcs

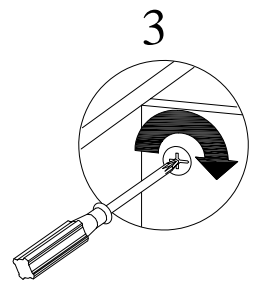
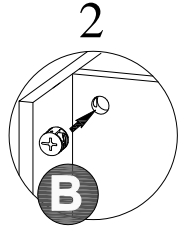
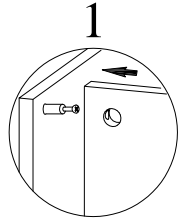
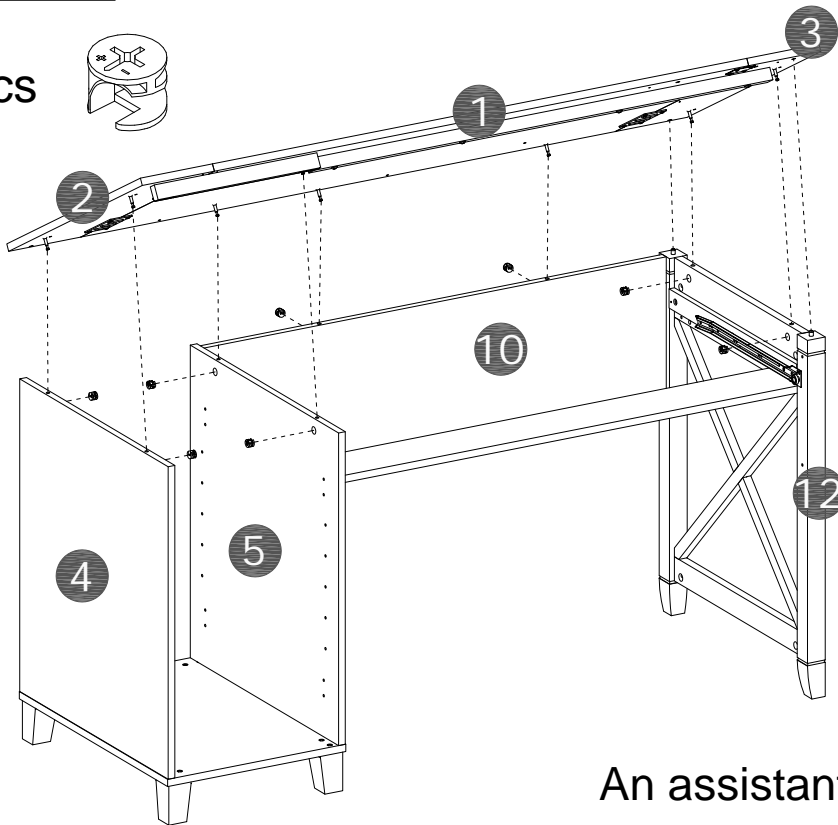


O x 4pcs



STEP 14

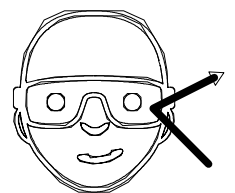
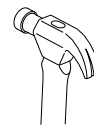
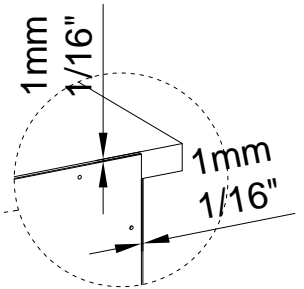
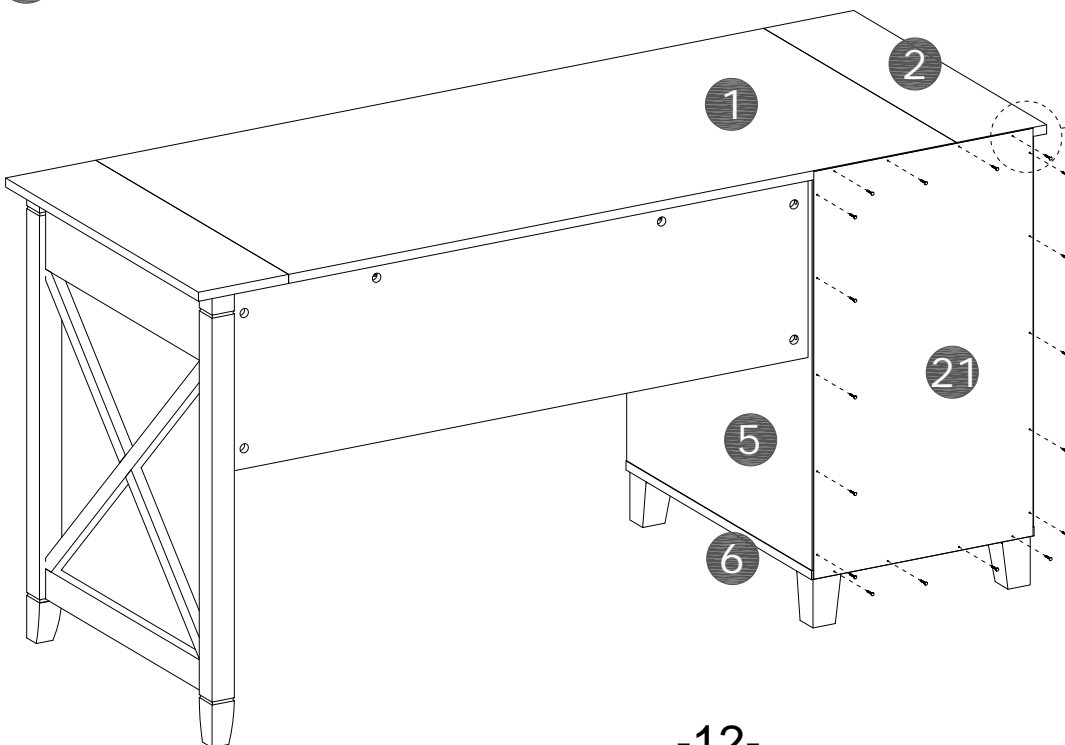
B x 8pcs



An assistant is required.

STEP 15

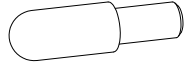
H x 18pcs



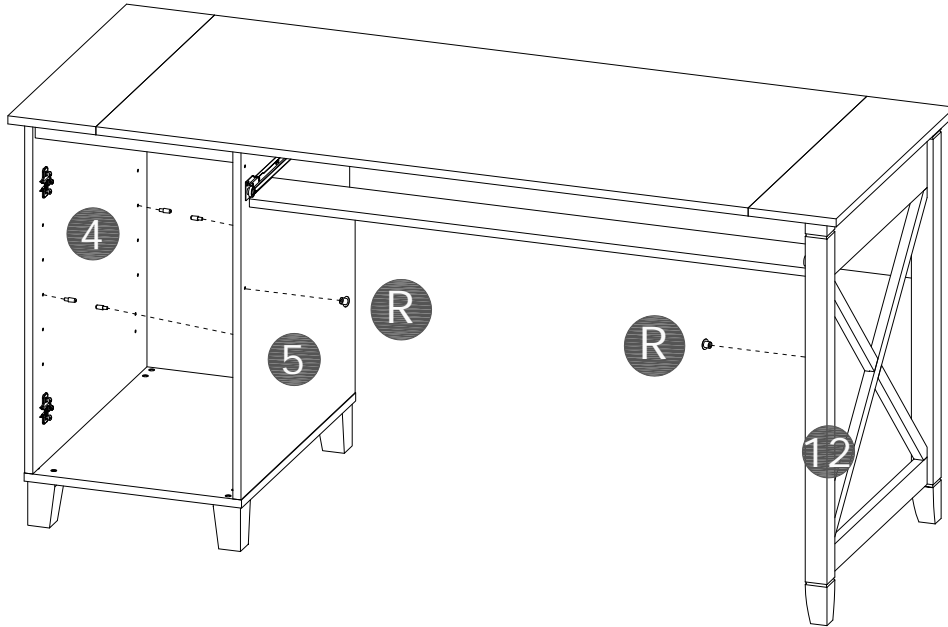
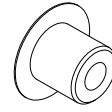
Safety glasses

STEP 16

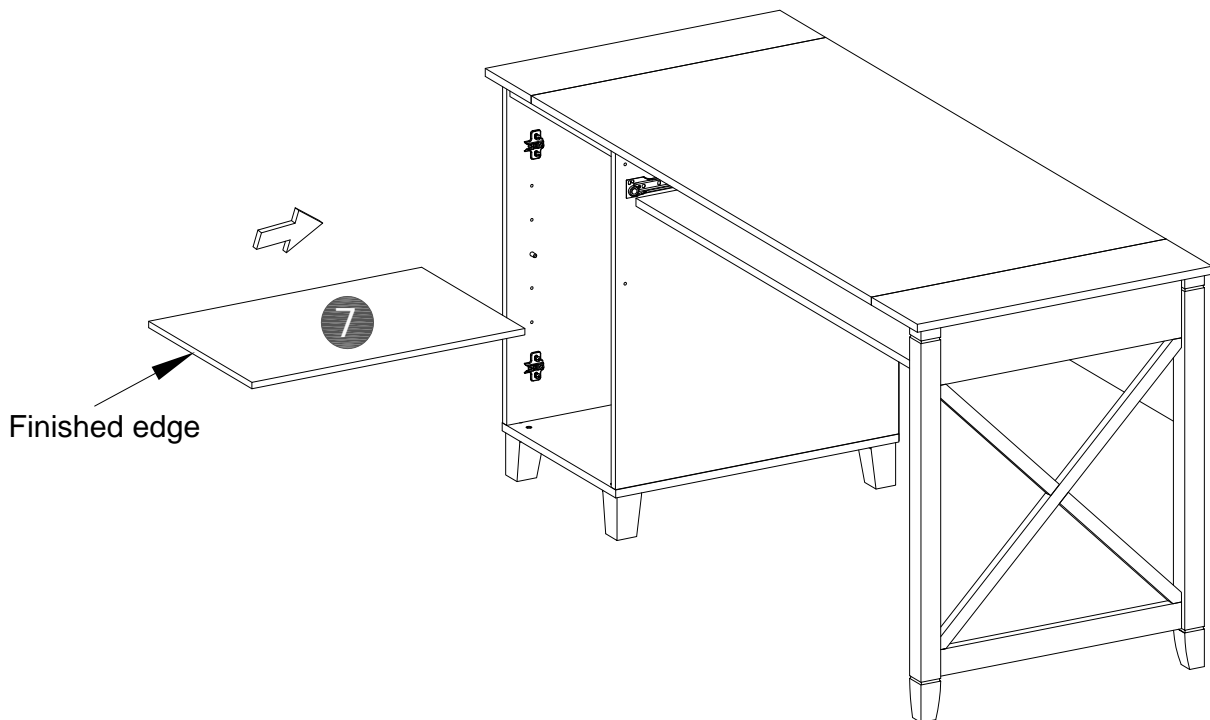
AA x 4pcs



R x 2pcs

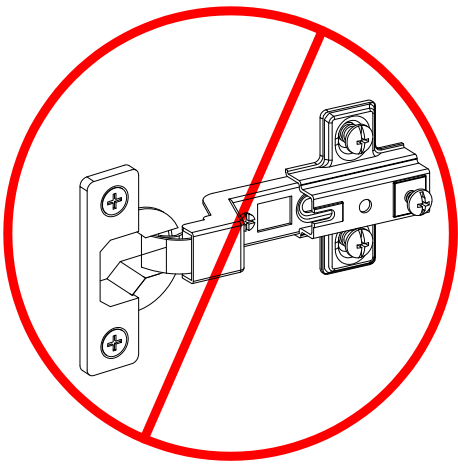
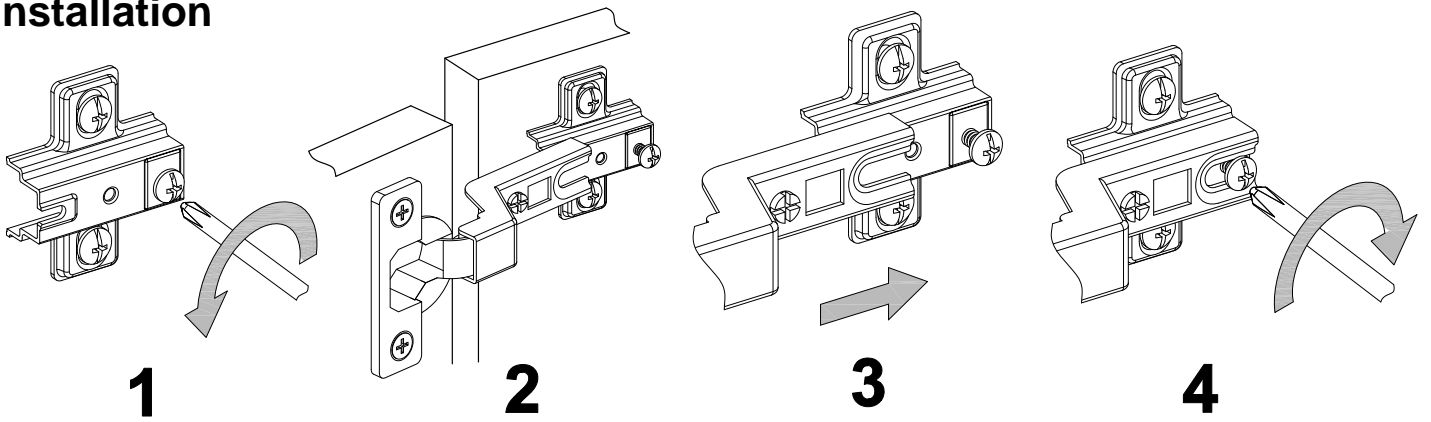


STEP 17

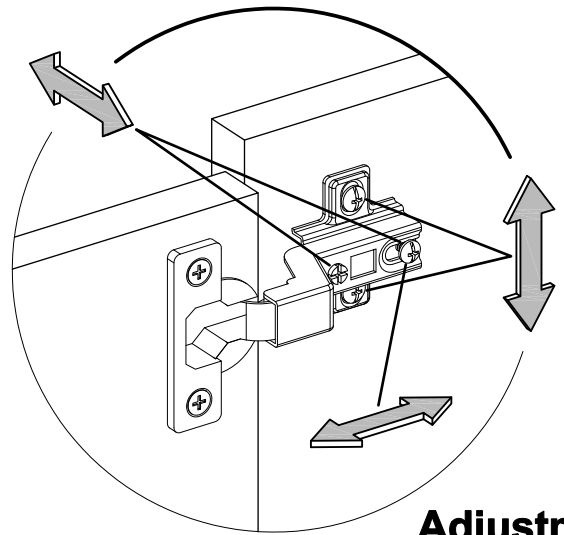


STEP 18

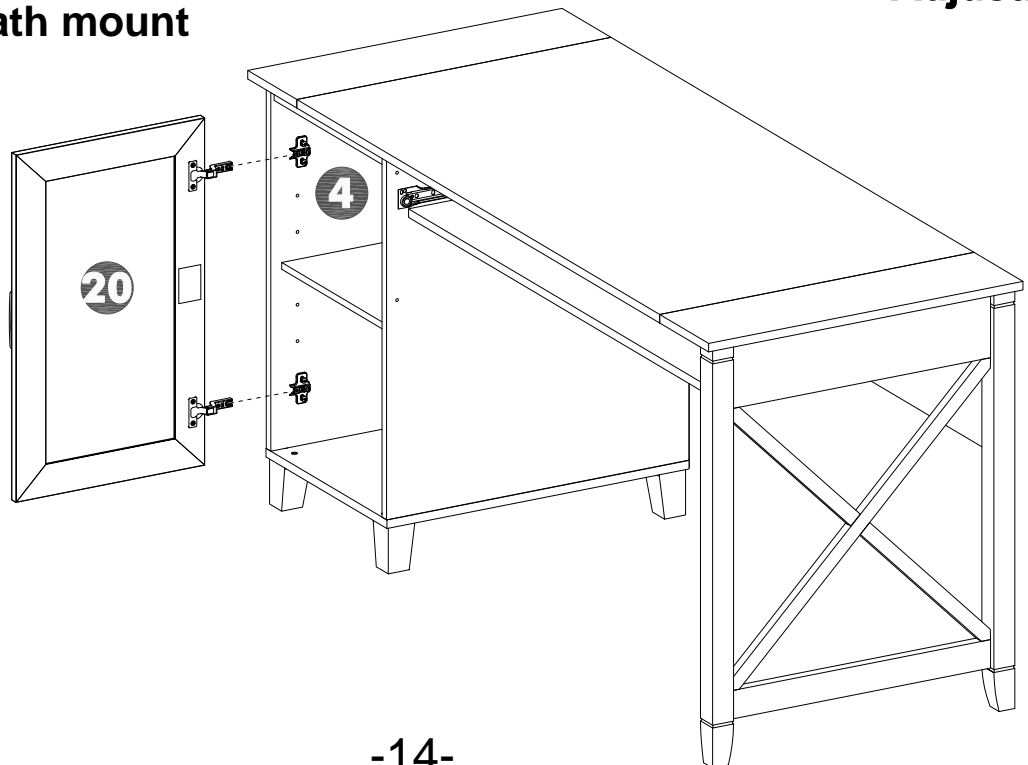
Installation



DO NOT Insert
Hinge beneath mount



Adjustment



STEP 19

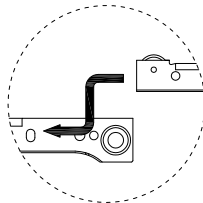
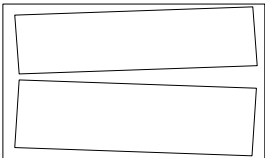
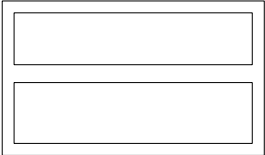
- Move unit to final location.
- Adjust drawer fronts as shown below.

Step1--Loosen screws on back of drawer front brackets as shown.

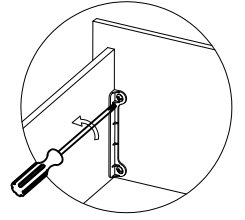
Step2--Position drawer front as required.

Step3--Tighten screws while holding drawer front in position.

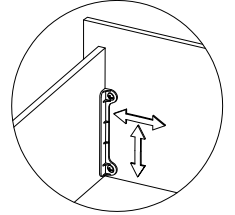
DRAWER FRONT VIEW



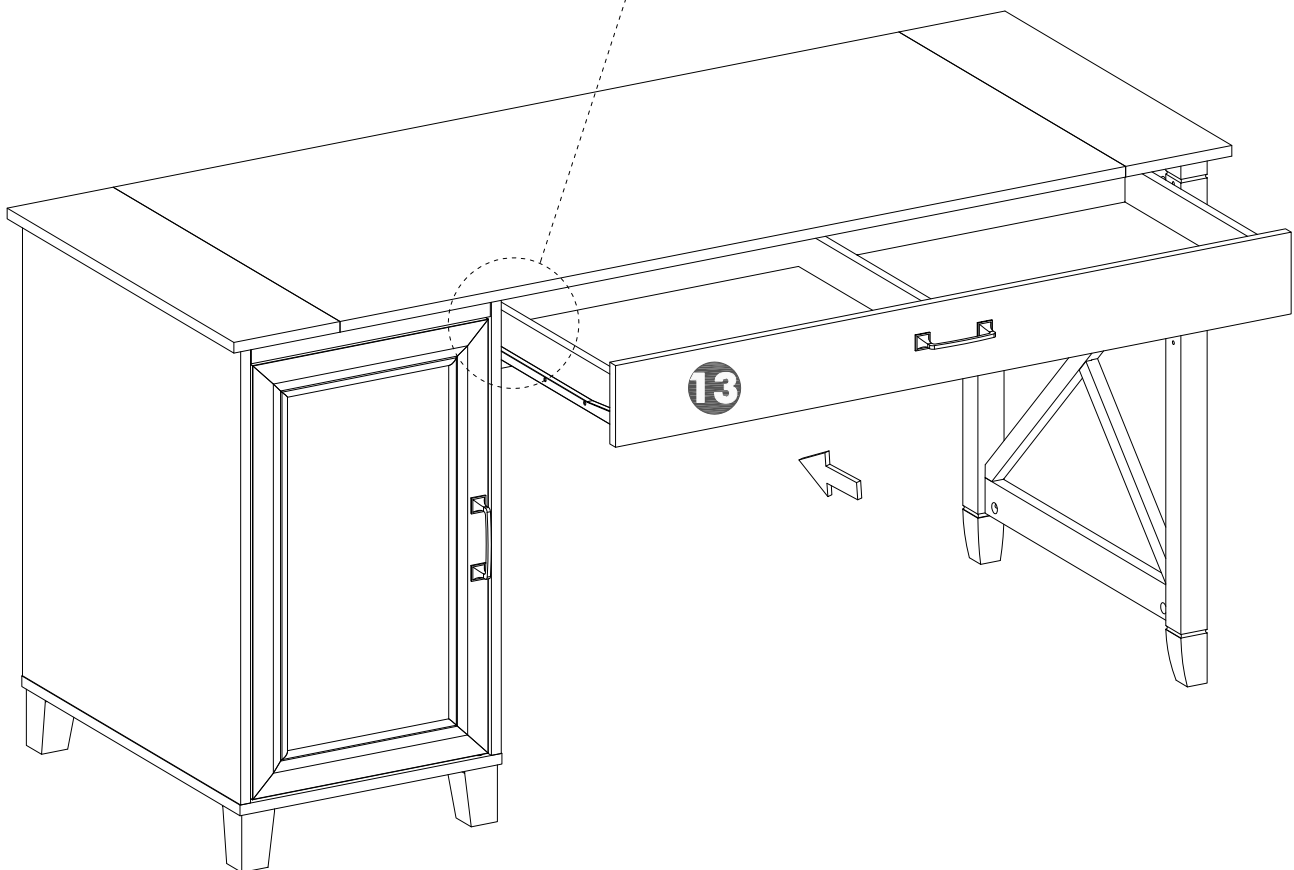
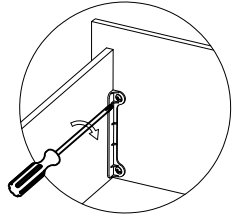
STEP 1.



STEP 2.

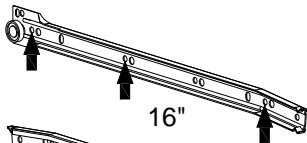


STEP 3.

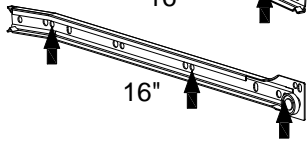


STEP 20

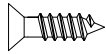
V x 1pc



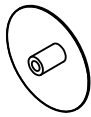
W x 1pc



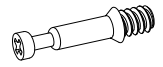
I x 6pcs



T x 2pcs



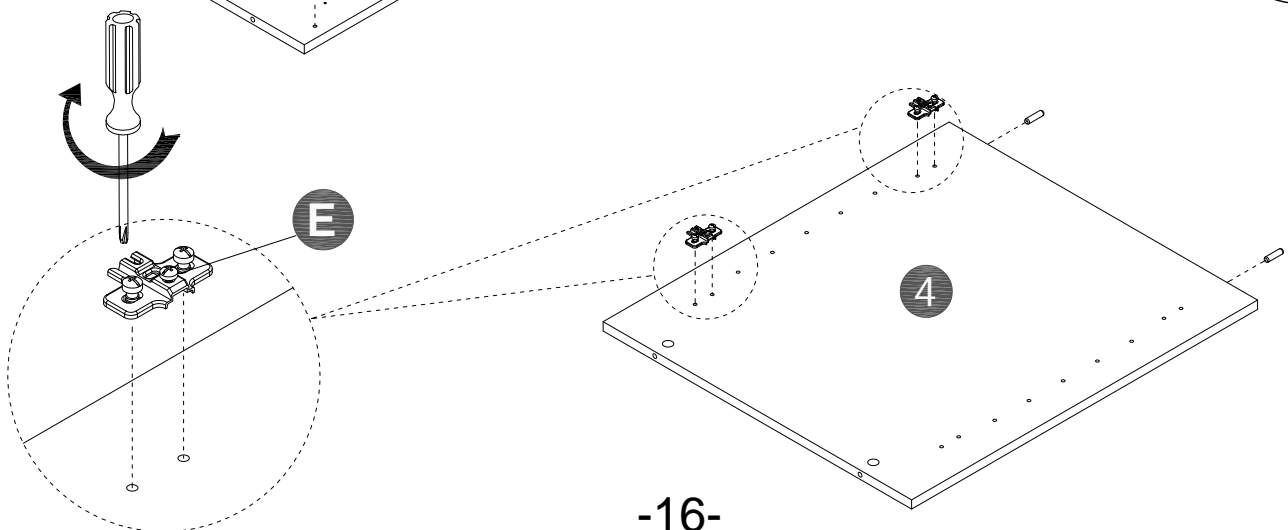
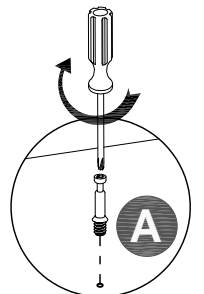
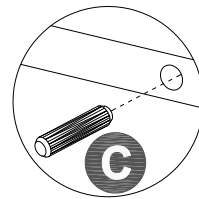
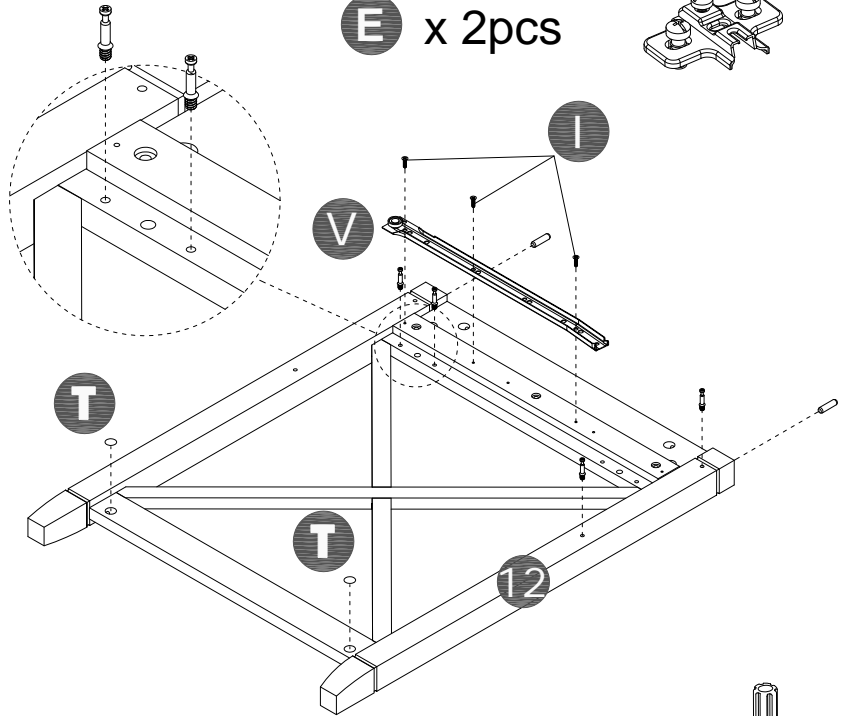
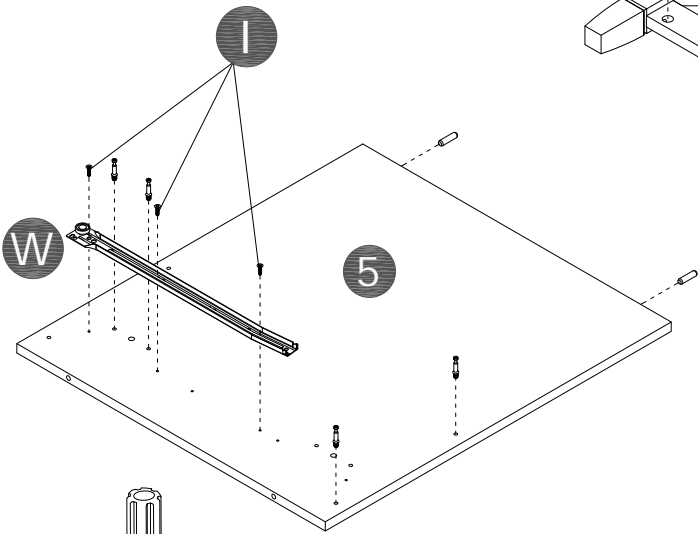
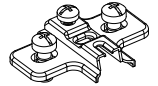
A x 8pcs



C x 6pcs

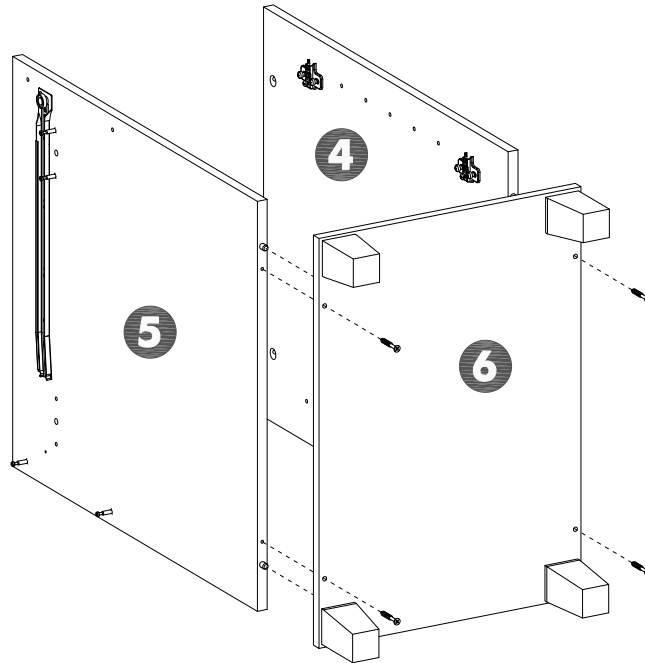
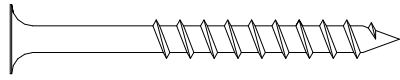


E x 2pcs



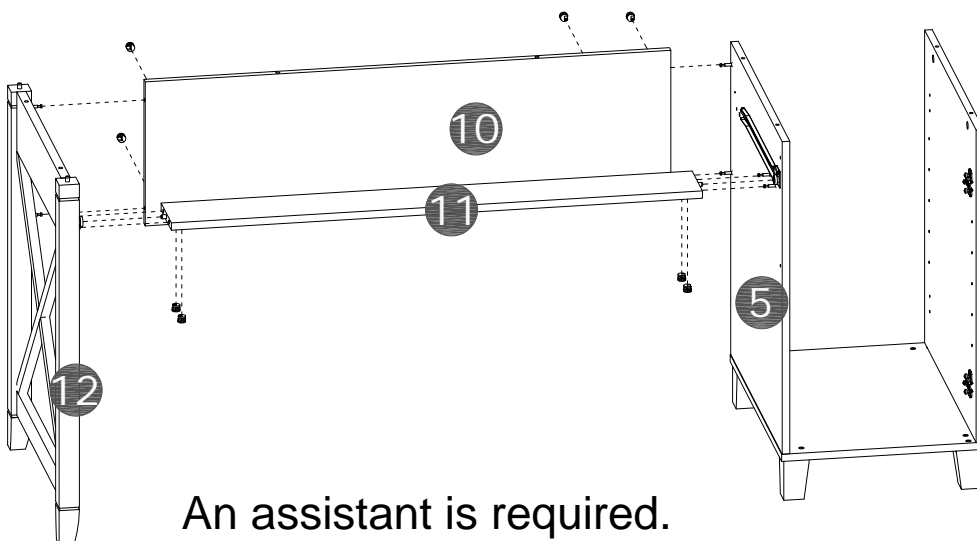
STEP 21

K x 4pcs

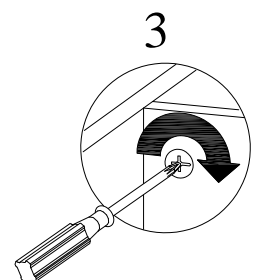
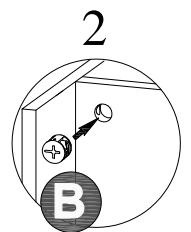
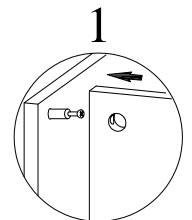


STEP 22

B x 8pcs

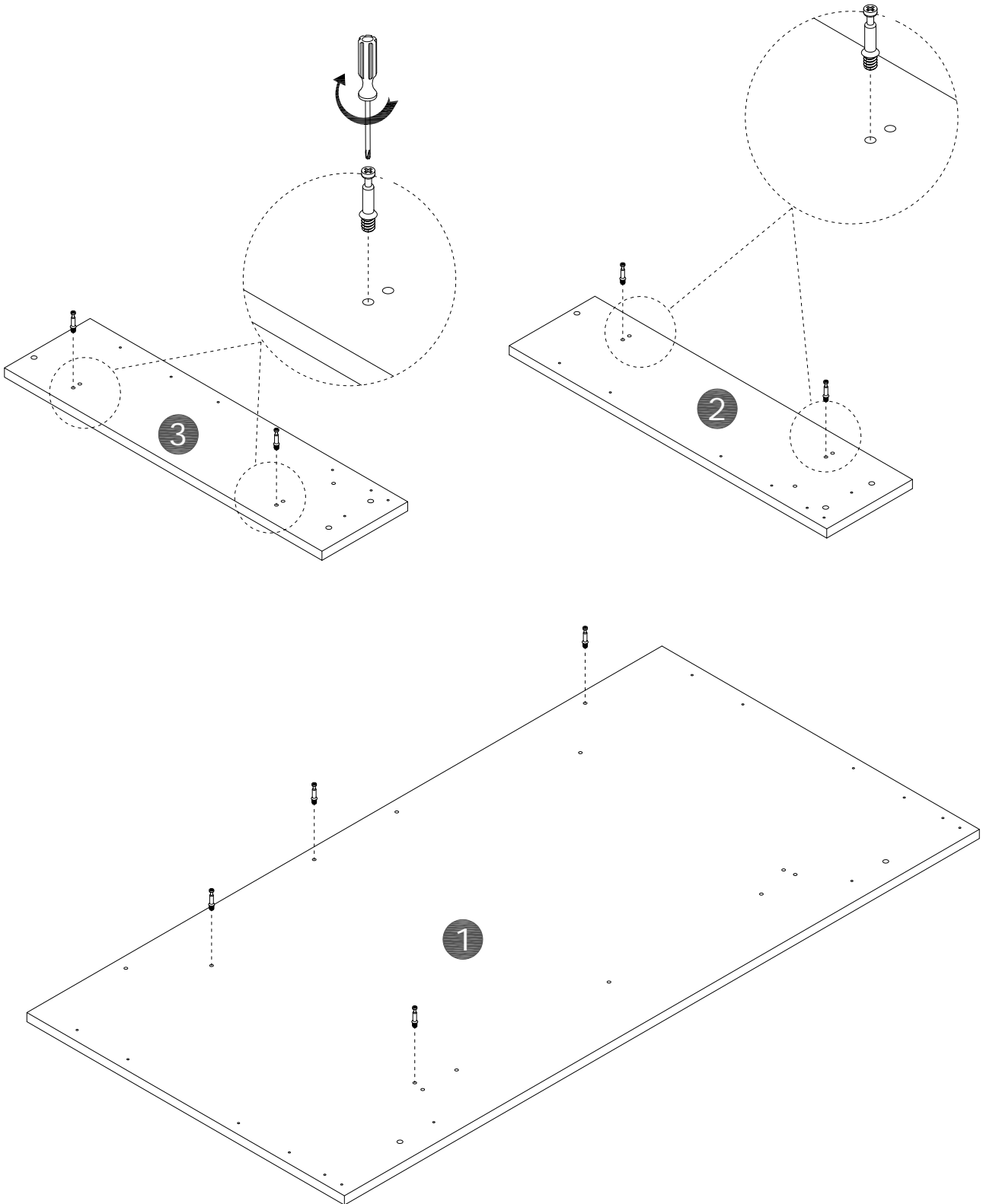
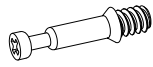


An assistant is required.



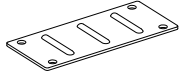
STEP 23

A x 8pcs

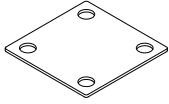


STEP 24

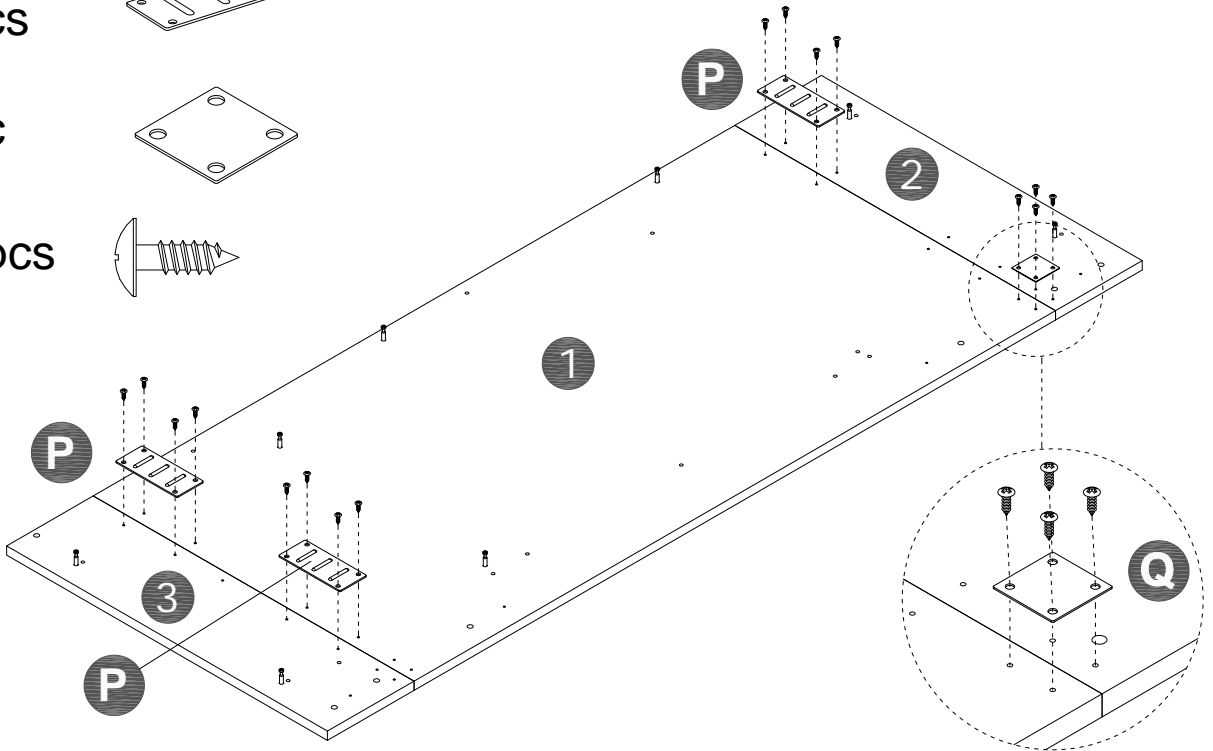
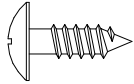
P x 3pcs



Q x 1pc

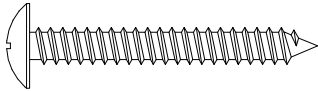


M x 16pcs

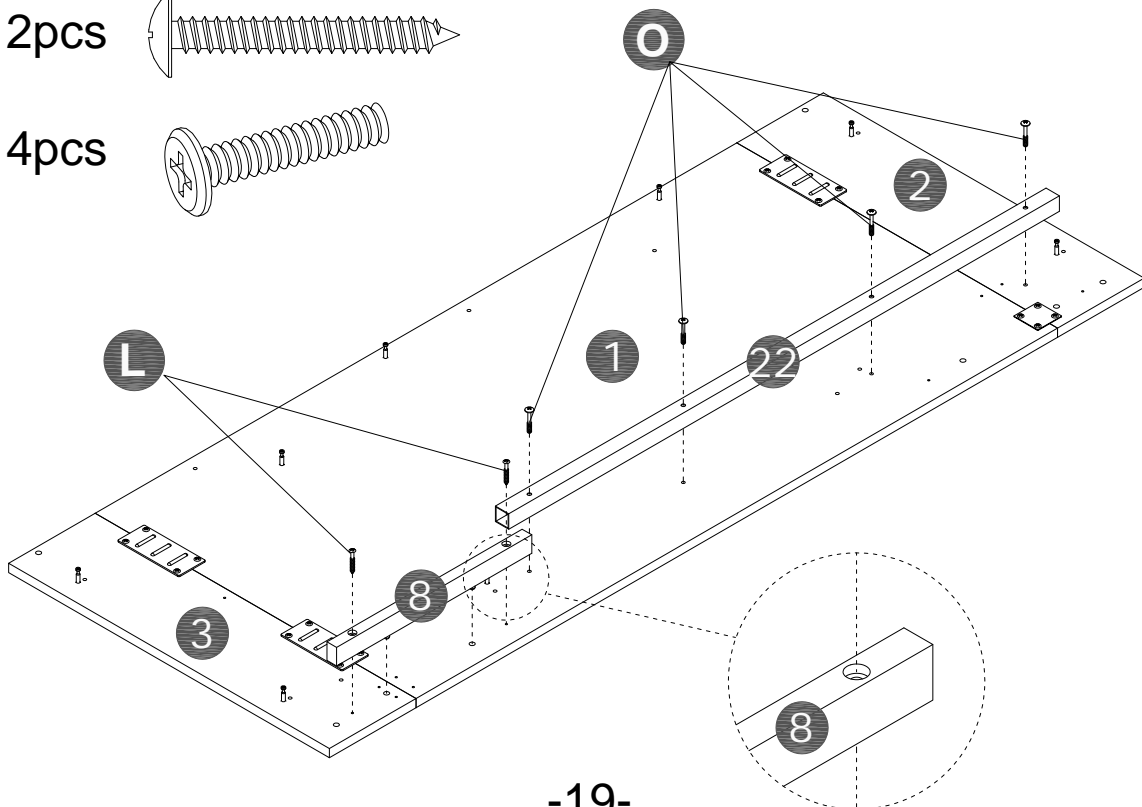
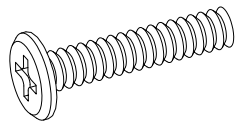


STEP 25

L x 2pcs

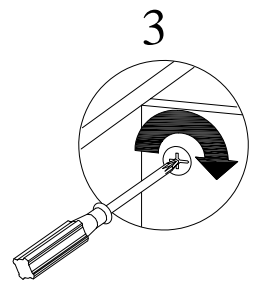
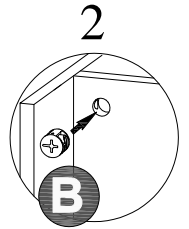
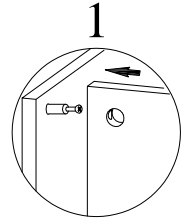
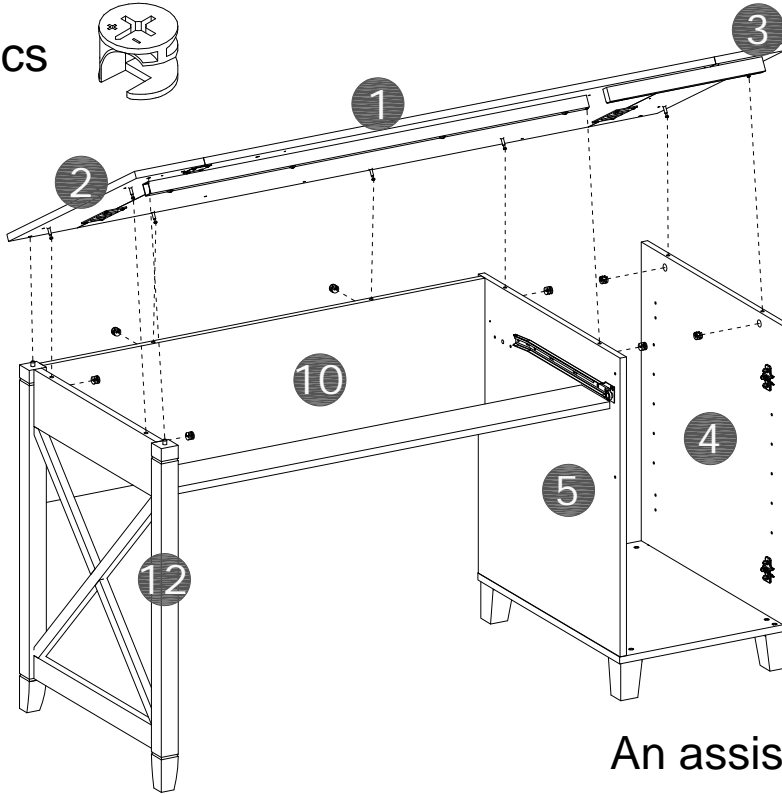


O x 4pcs



STEP 26

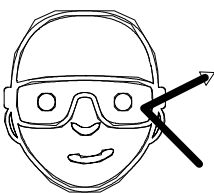
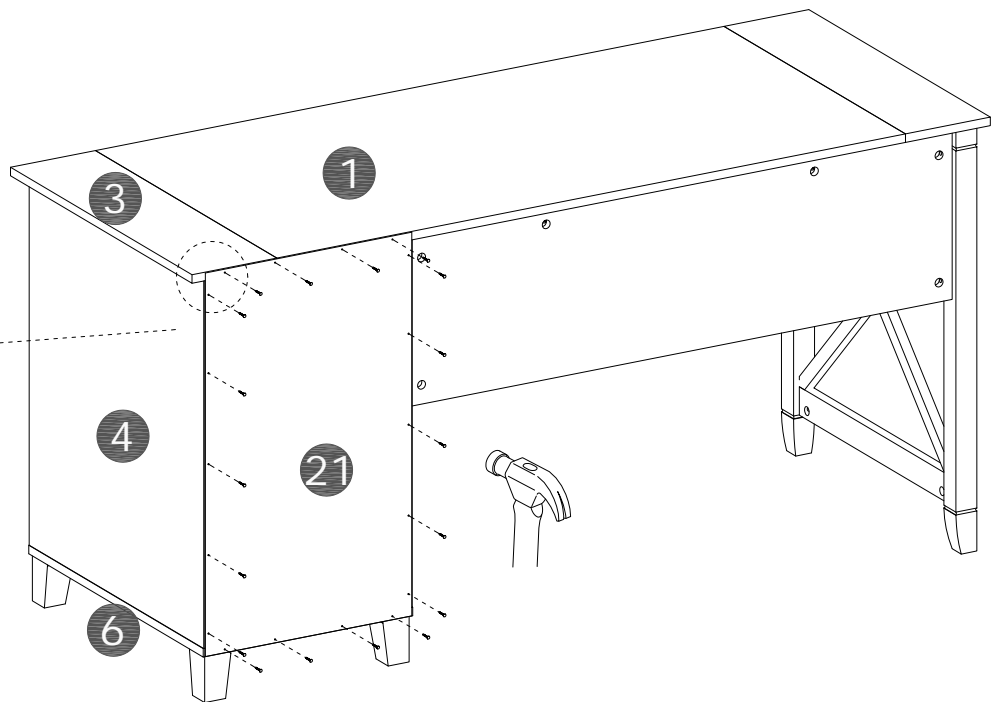
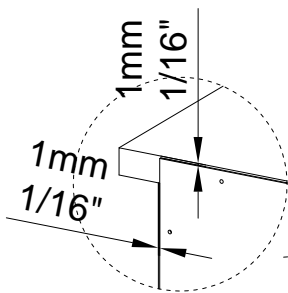
B x 8pcs



An assistant is required.

STEP 27

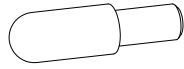
H x 18pcs



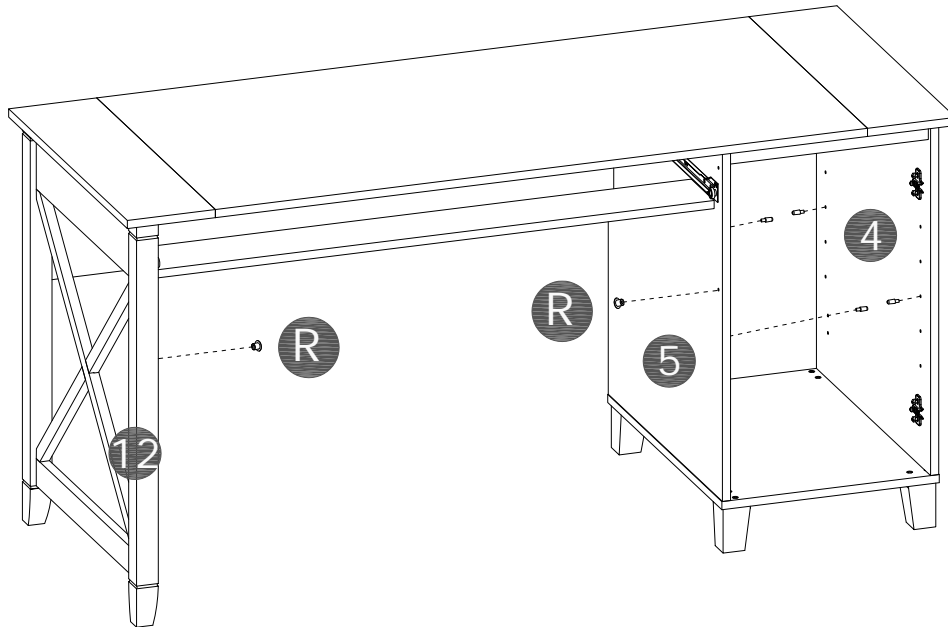
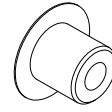
Safety glasses

STEP 28

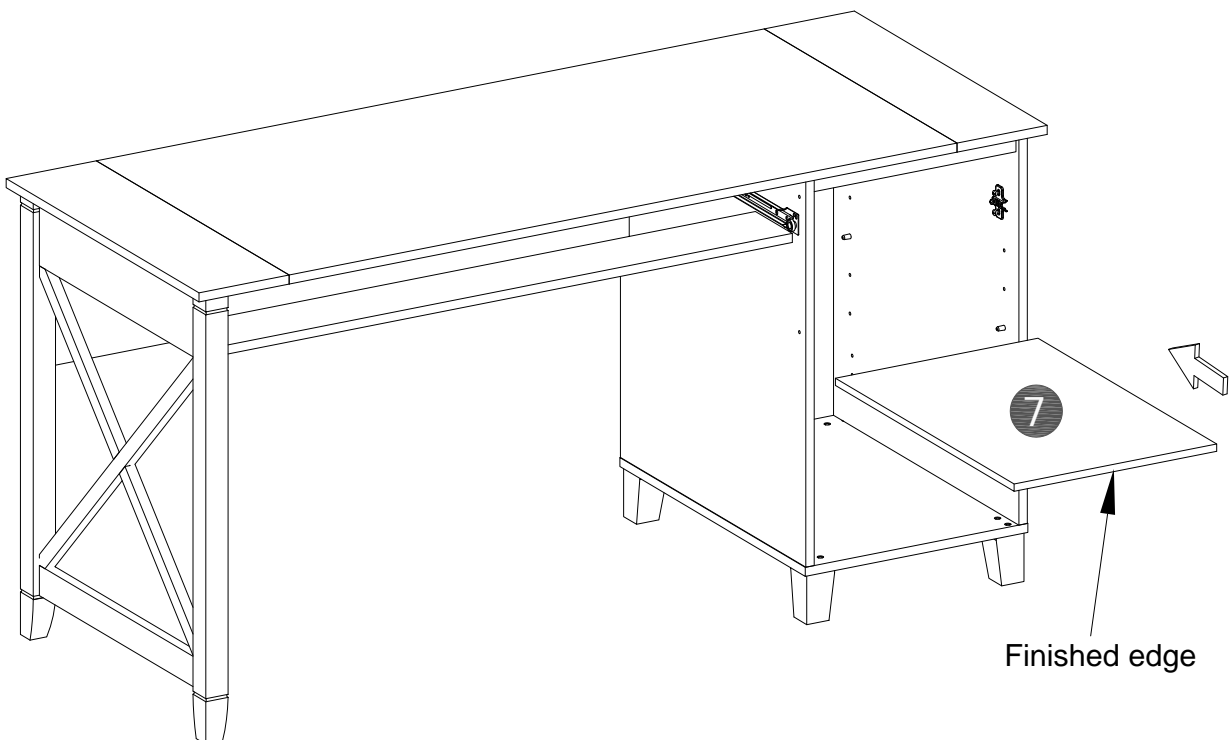
AA x 4pcs



R x 2pcs

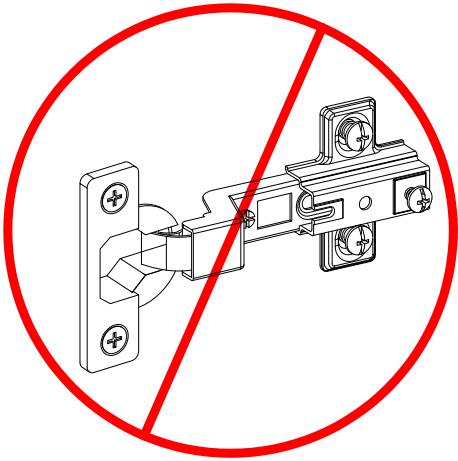
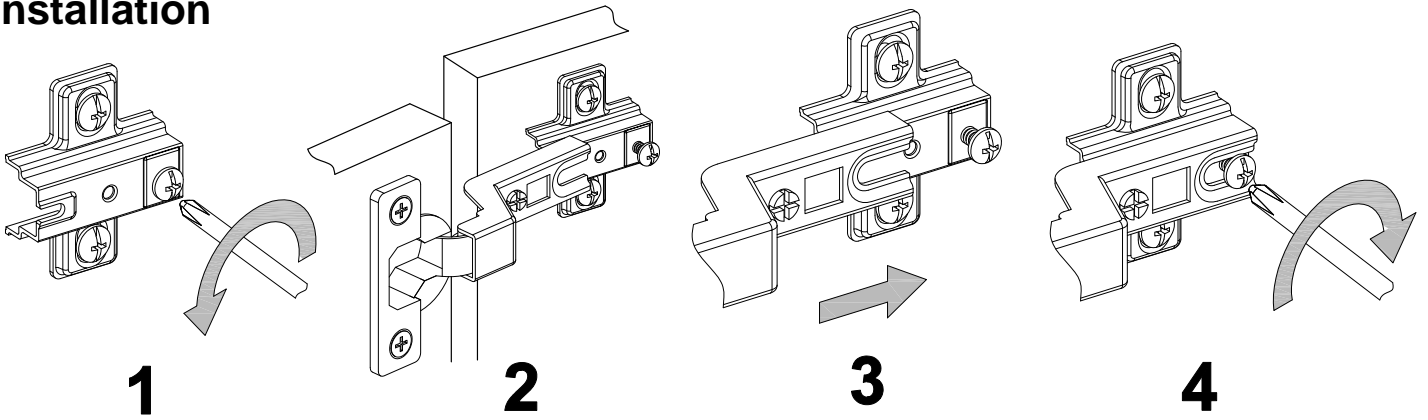


STEP 29

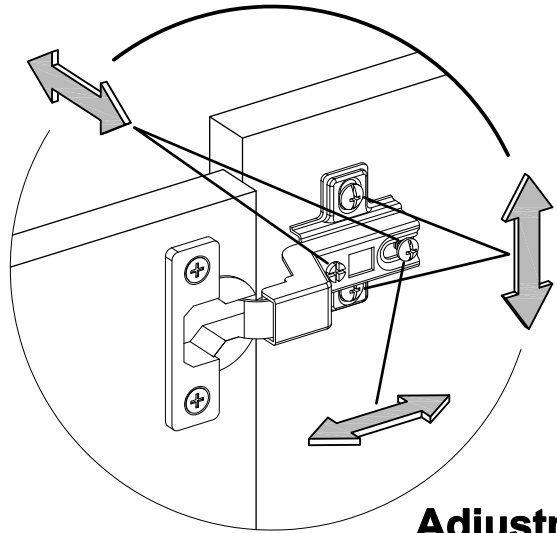


STEP 30

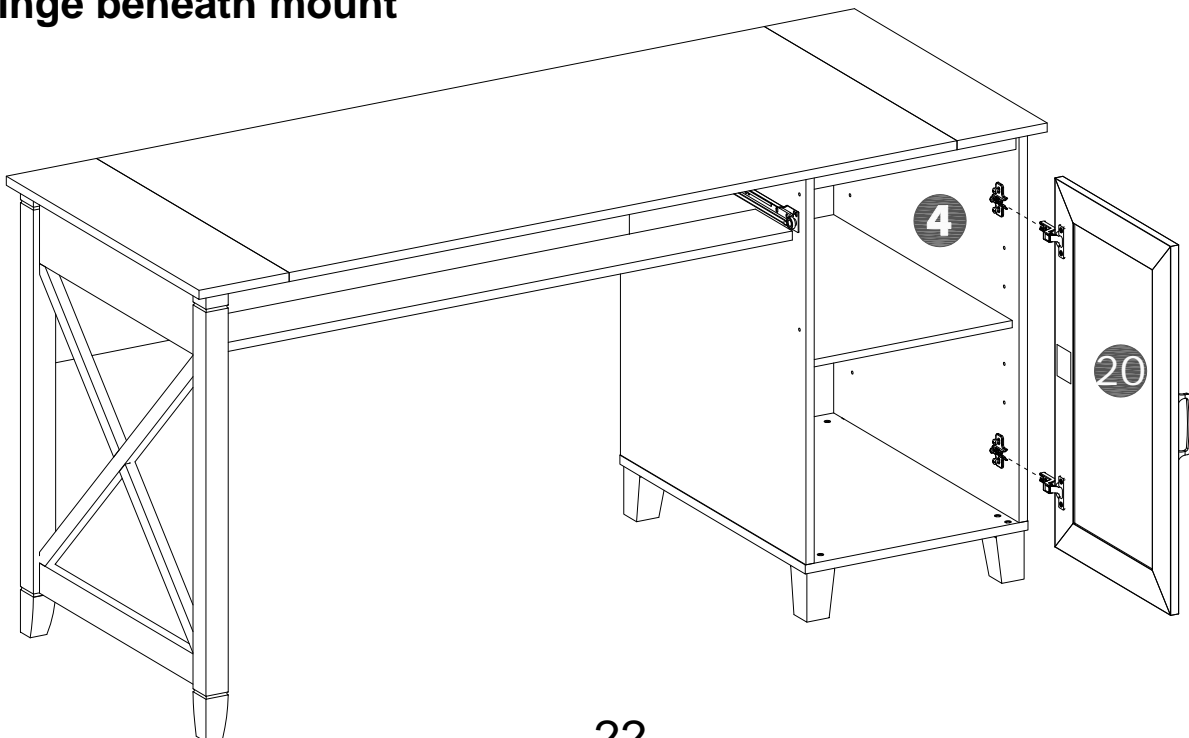
Installation



**DO NOT Insert
Hinge beneath mount**



Adjustment



STEP 31

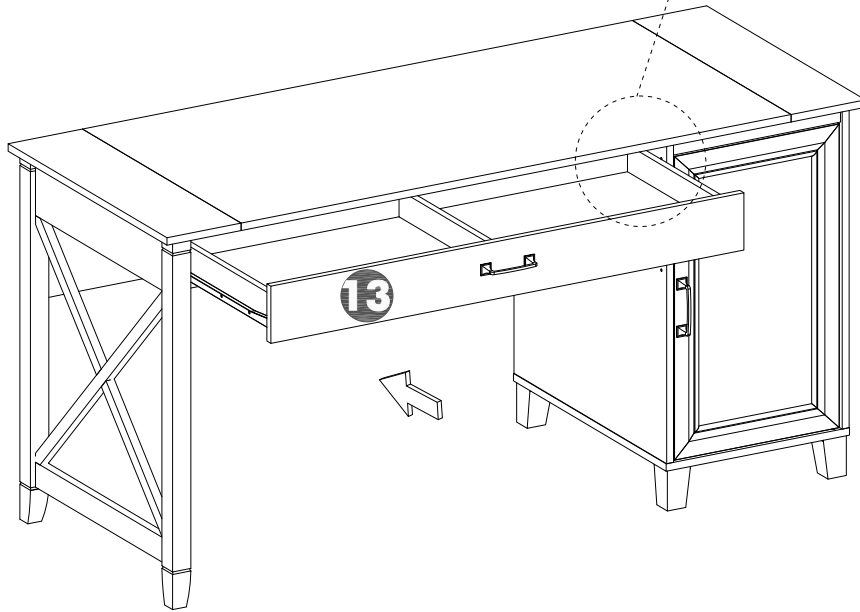
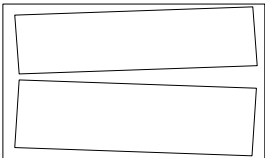
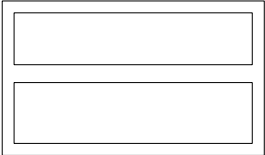
- Move unit to final location.
- Adjust drawer fronts as shown below.

Step1--Loosen screws on back of drawer front brackets as shown.

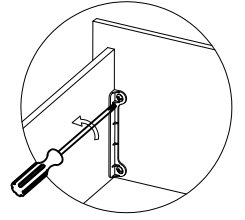
Step2--Position drawer front as required.

Step3--Tighten screws while holding drawer front in position.

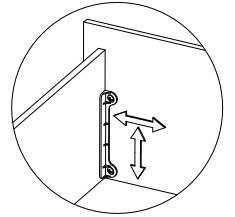
DRAWER FRONT VIEW



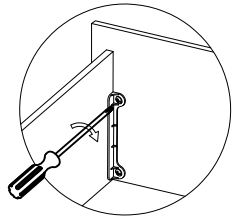
STEP 1.



STEP 2.



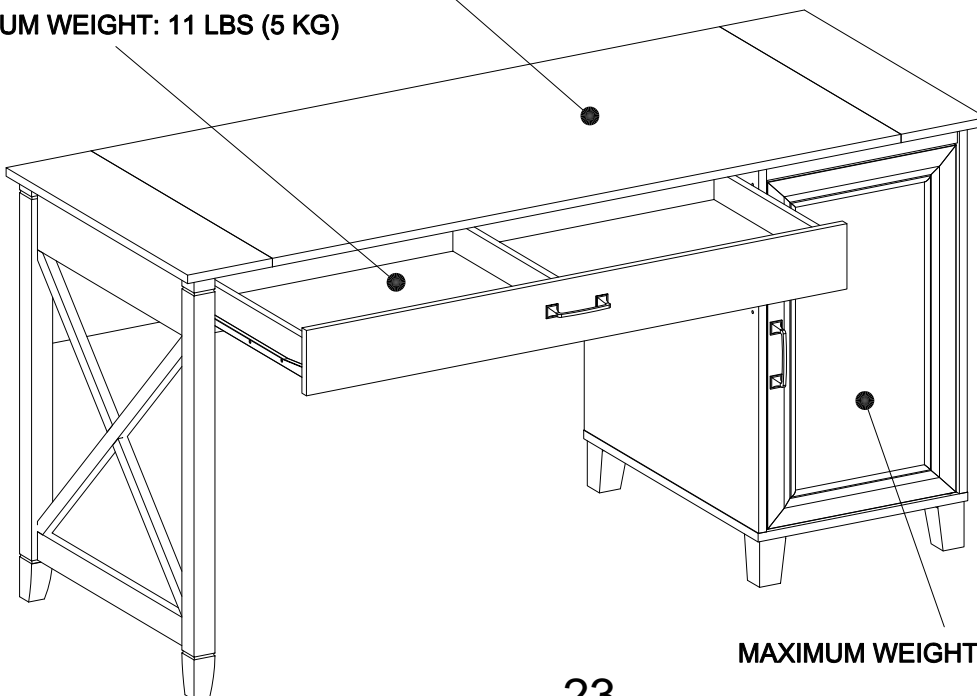
STEP 3.



Maximum weight capacities

MAXIMUM WEIGHT: 150 LBS (68 KG)

MAXIMUM WEIGHT: 11 LBS (5 KG)



MAXIMUM WEIGHT: 22 LBS (10 KG)

What is Proposition 65?

Proposition 65 is a California law that requires warning labels on products that may contain one of more than 800-plus chemicals or ingredients that the California Office of Environmental Health Hazard Assessment(OEHHA) has deemed to cause cancer or other reproductive toxicity. chemicals and elements on this list include wood dust , brass , and other everyday substances, which can be found in very common household items, such as : lamps , tableware , jewelry , crystal glasses , electric cords , beauty products , automobiles , and furniture.

Why Did I Find a Proposition 65 Warning on My Home Goods Product?

We include Proposition 65 warnings on all of our products because there is always a chance that one of the 800-plus common chemicals and ingredients listed under this law could potentially be on our furniture or packing materials. We risk large fines under this law , if we don't include this warning.

Should I worry?

We realize you may be worried finding this warning on our products , but we want to reassure you that the hazardous exposure limits for any of these chemicals have never been found on furniture products that we've shipped to our customers. Additionally, this warning label is very common and can be found on almost every piece of furniture sold in the state of California.

Just How Common Are Proposition 65 Warnings?

Proposition 65 warnings have become so common in California that it is hard to take a trip to local bank, grocery store , or restaurant without finding at least one warning. In fact, even the Disney Land Resort has a Proposition 65 warning:

