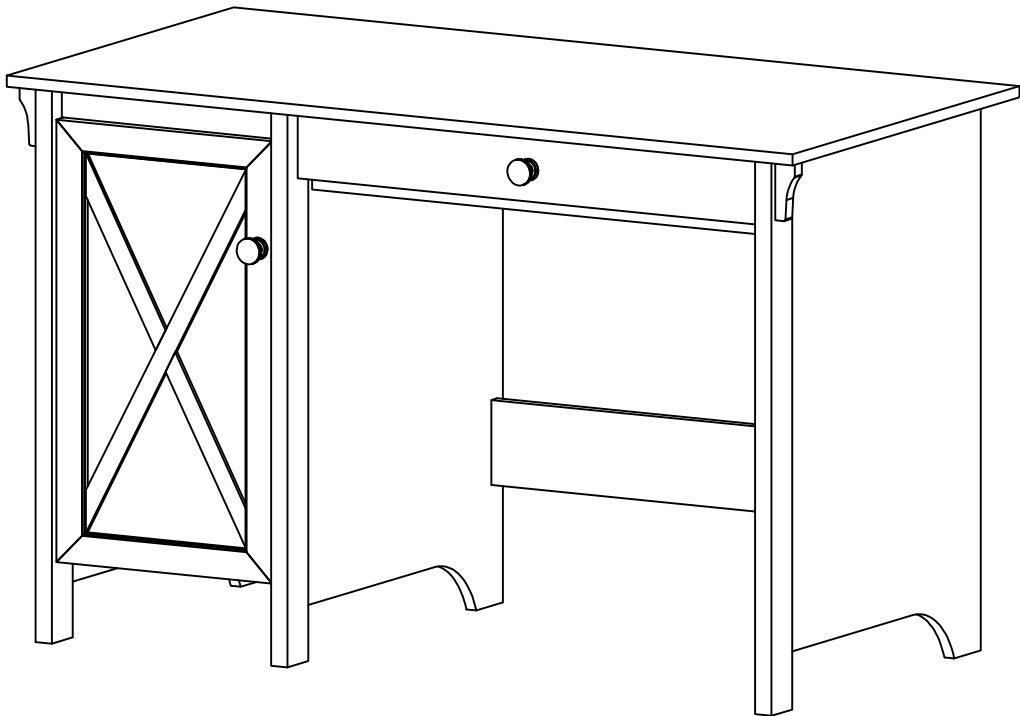


ASSEMBLY INSTRUCTIONS

ITEM#: GM1534

Important Safety Instructions:

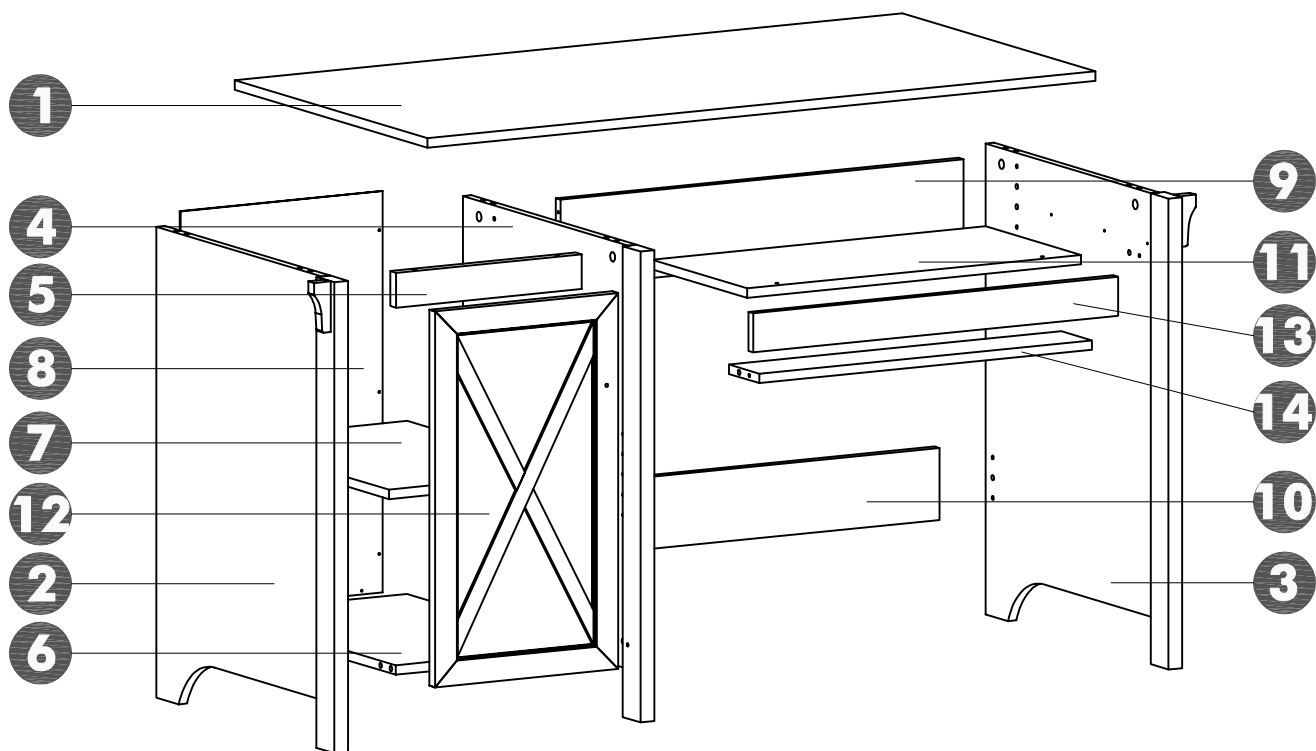
- Please read all instructions before beginning assembly
- Please make sure receive all the parcels to start the assembly
- For your safety and convenience, assembly by two people is recommended
- Use the parts and hardware lists to identify and separate each of the components included
- Save all packing materials until assembly is completed to avoid the accidental discarding of smaller parts or hardware



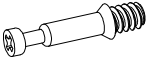


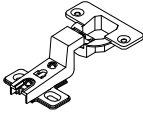
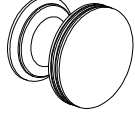
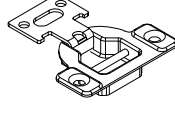
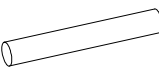
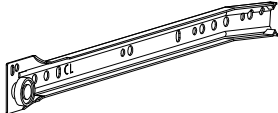
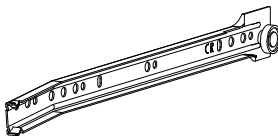
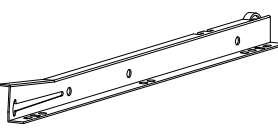
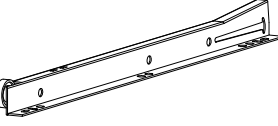
THANK YOU FOR PURCHASING

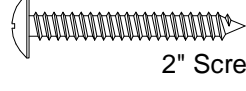
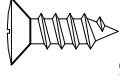
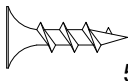
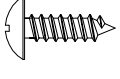

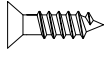
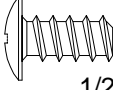
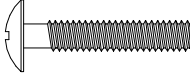
PARTS LIST

1 X1	2 X1	3 X1	4 X1	5 X1
6 X1	7 X1	8 X1	9 X1	10 X1
11 X1	12 X1	13 X1	14 X1	



HARDWARE LIST

Name	Part	Qty.	Spare
A		16	1
B		16	1
C		18	1
D		2	
E		2	
F		2	
G		4	
H		1	
I		1	
J		1	
K		1	

Name	Part	Qty.	Spare
L	 2" Screw	7	
M	 9/16" Screw	8	
N	 5/8" Screw	4	
O	 1/2" Screw	6	
P	 3/4" Nail	11	1
Q	 1/2" Screw	6	
R	 1/2" Screw	2	
S	 1" Bolt	2	1

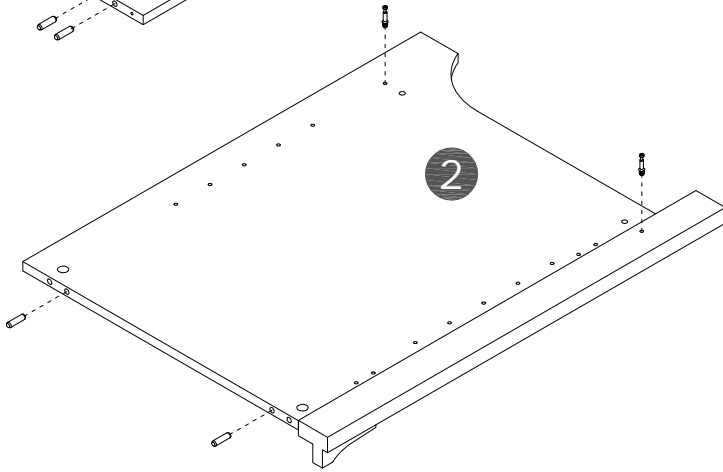
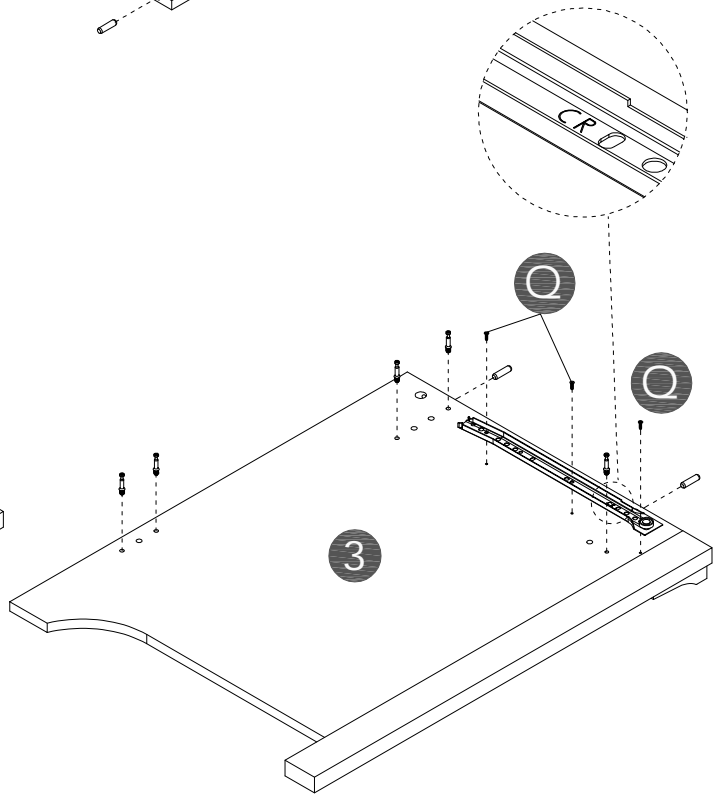
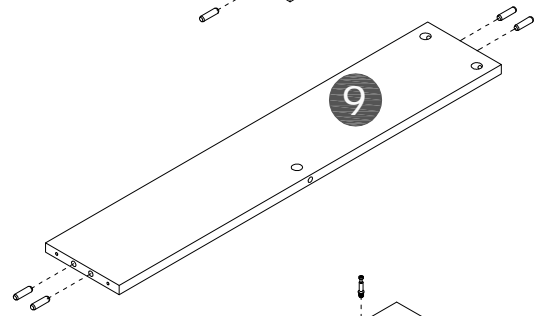
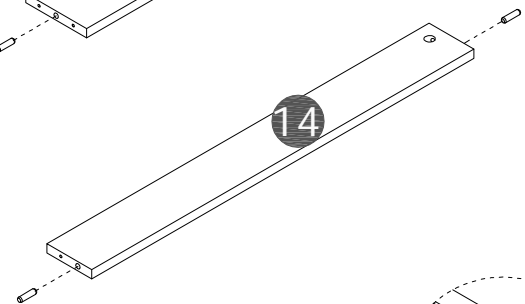
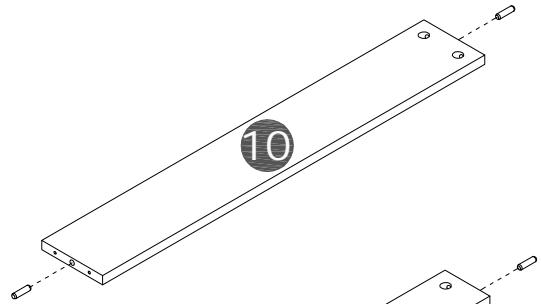
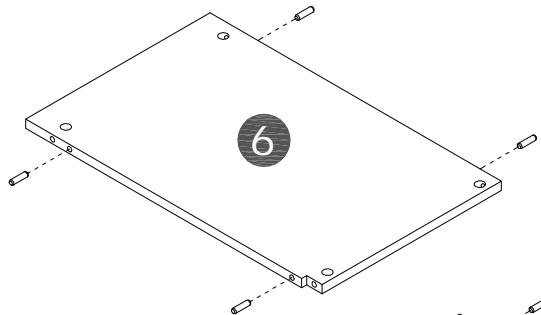
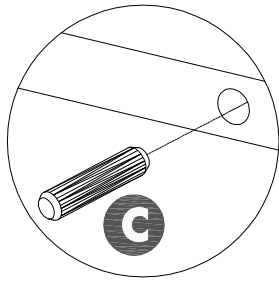
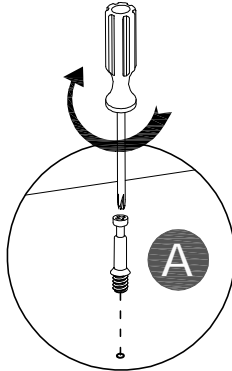
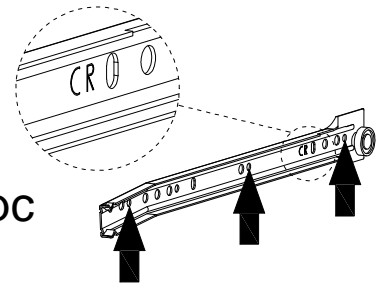
STEP 1

C x 16pcs 

A x 7pcs 

I x 1pc 

Q x 3pcs 



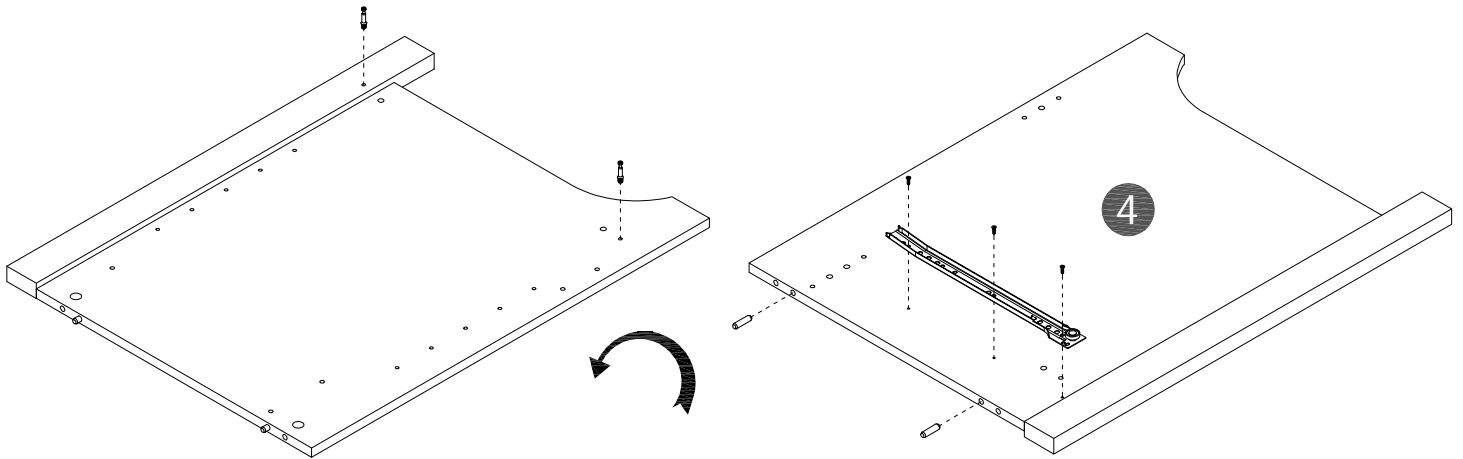
STEP 2

C x 2pcs 


A x 2pcs 

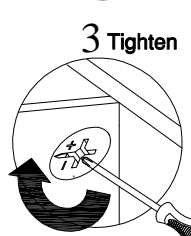
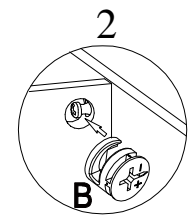
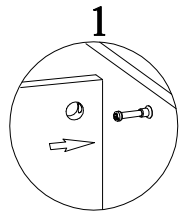
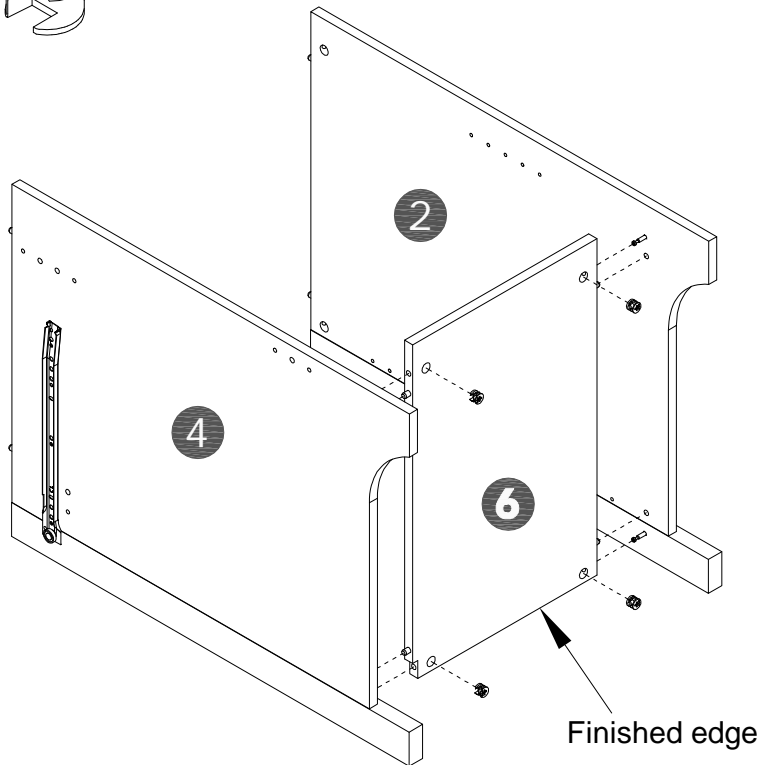
H x 1pc 

Q x 3pcs 



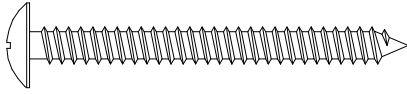
STEP 3

B x 4pcs 

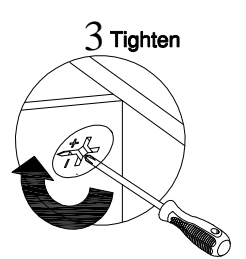
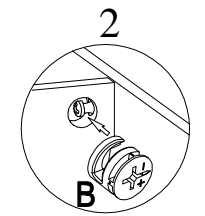
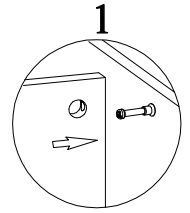
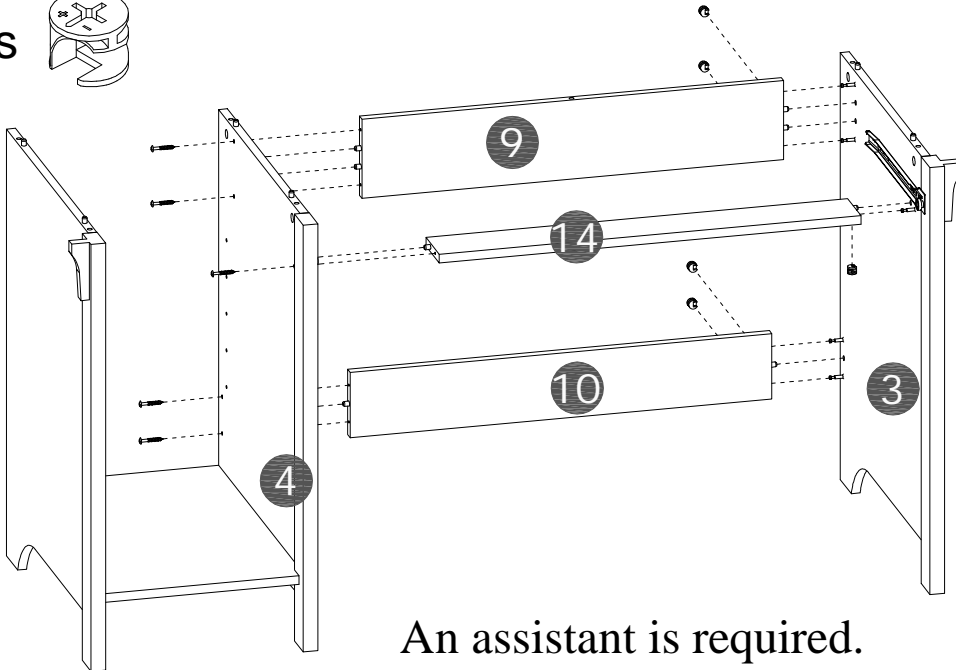
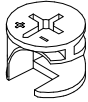


STEP 4

L x 5pcs

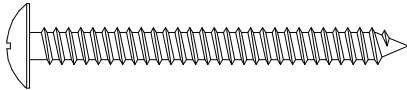


B x 5pcs

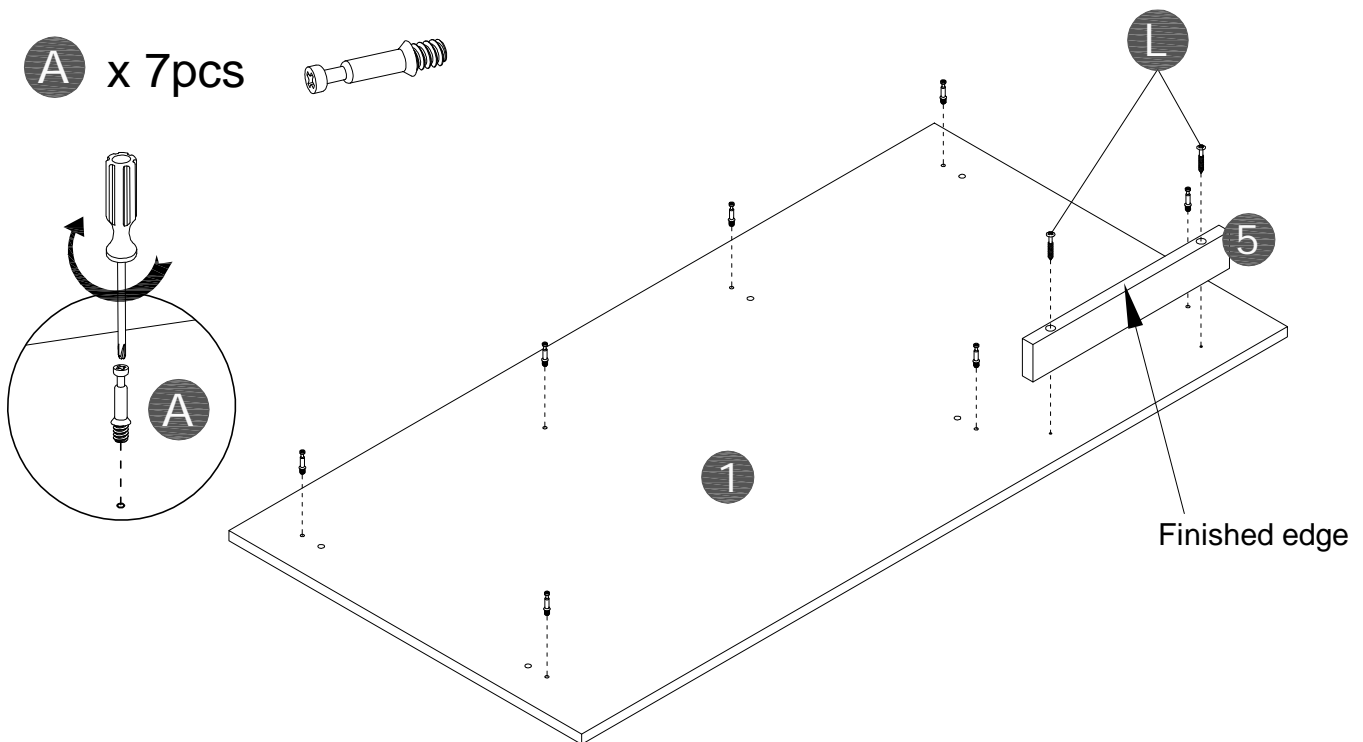
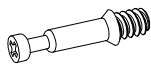


STEP 5

L x 2pcs



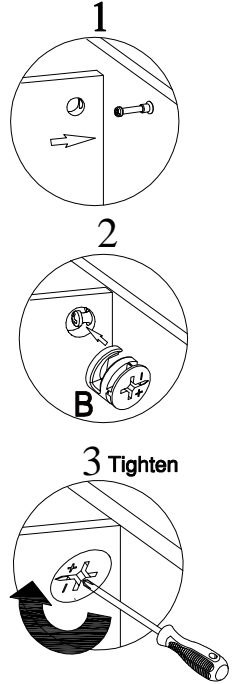
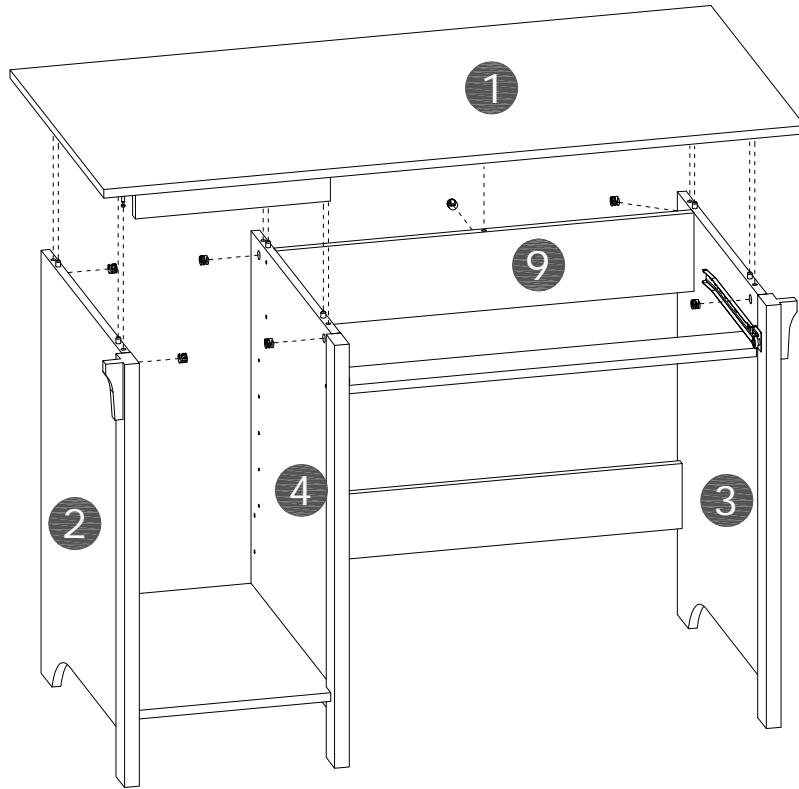
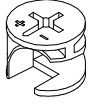
A x 7pcs



STEP 6

An assistant is required.

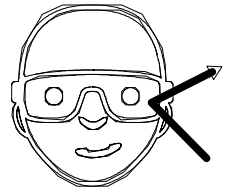
B x 7pcs



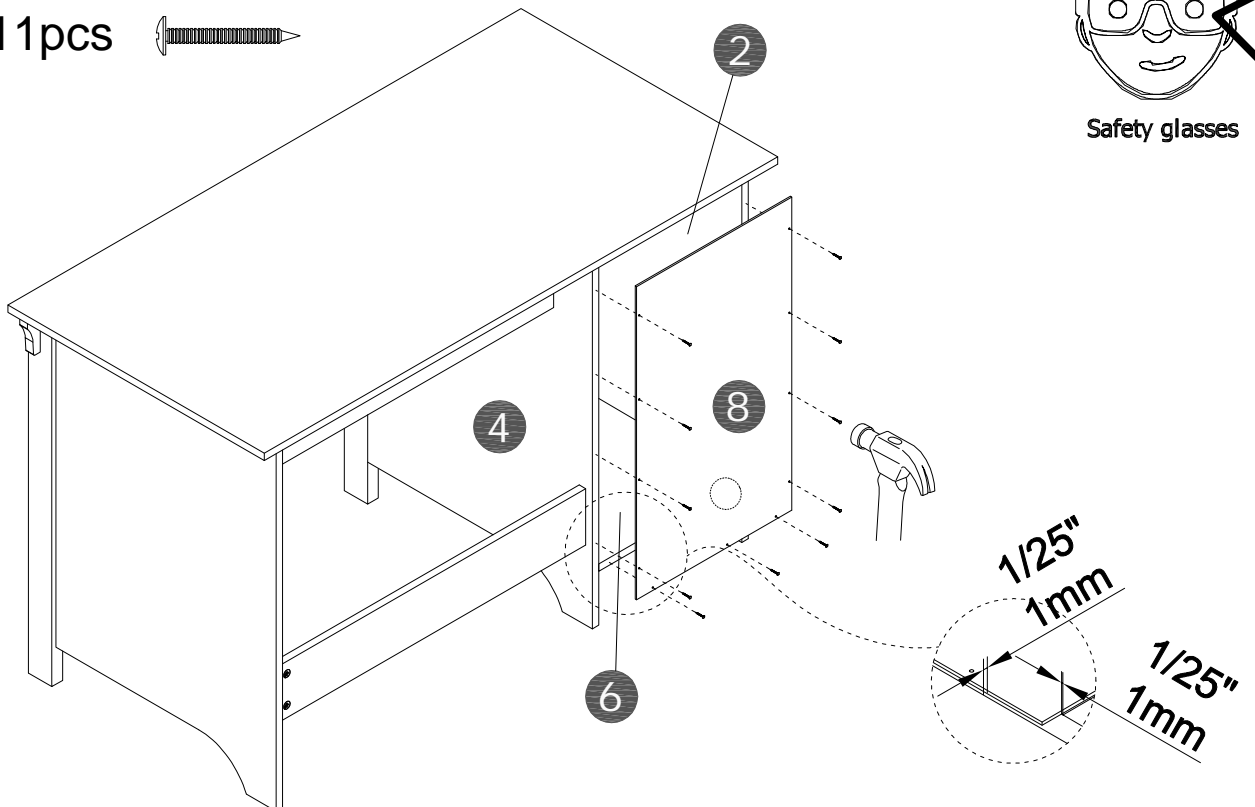
STEP 7

An assistant is required.

P x 11pcs

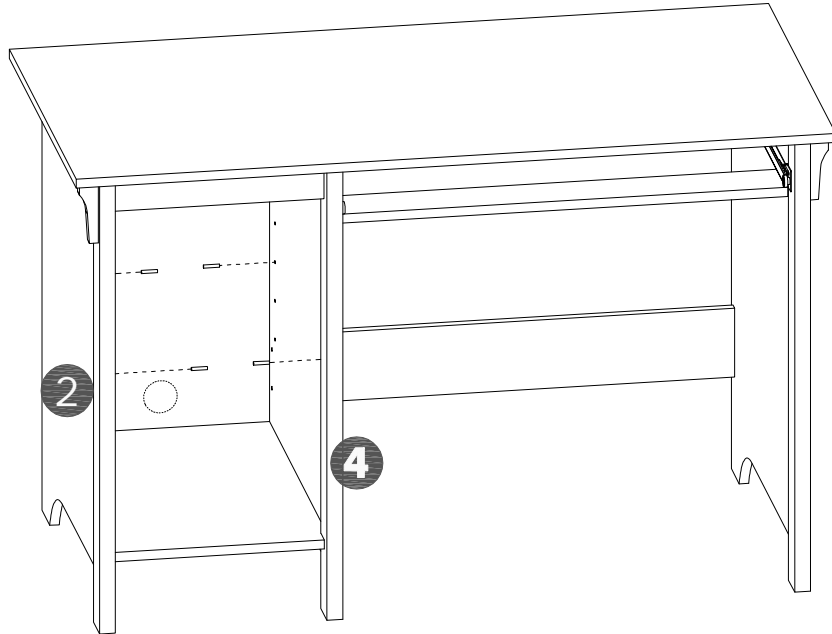


Safety glasses

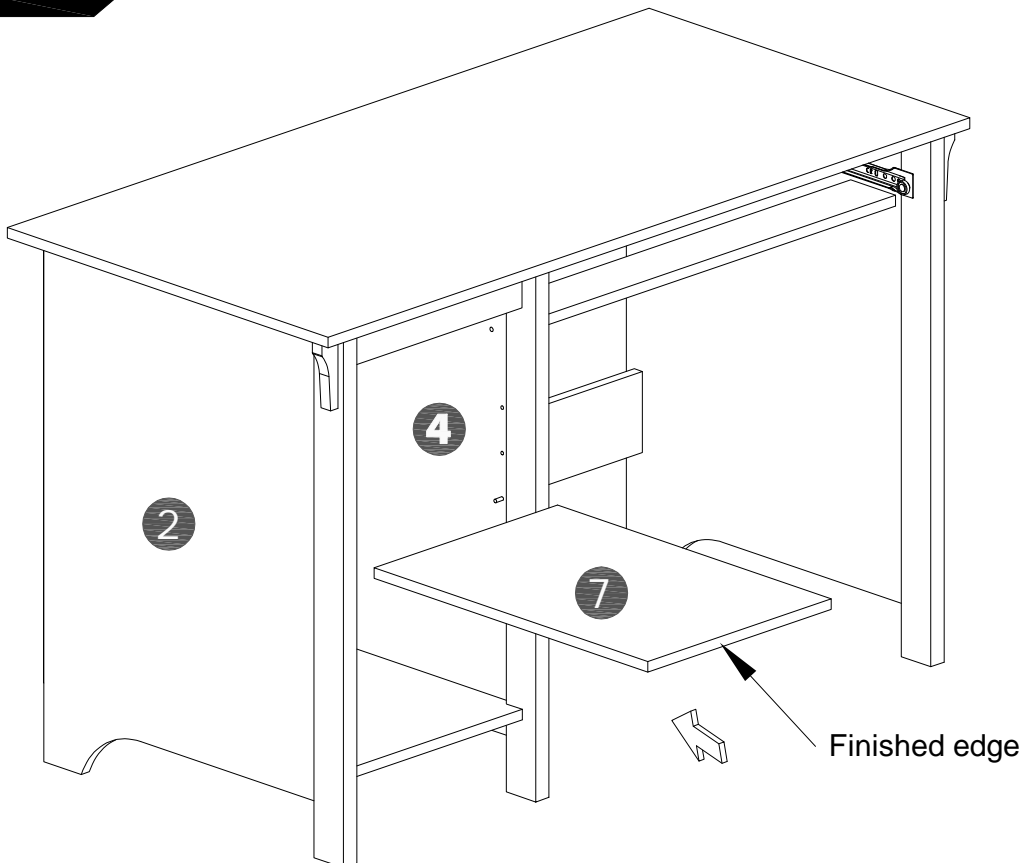


STEP 8

G x 4pcs 

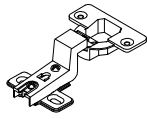


STEP 9

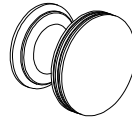


STEP 10

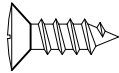
D x 2pcs



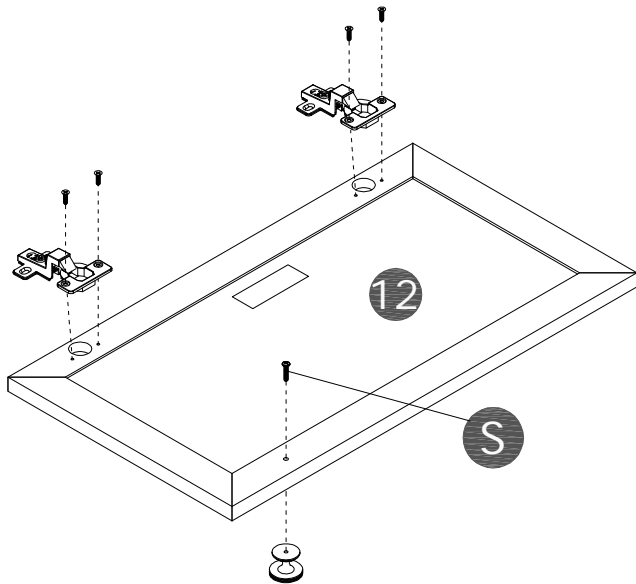
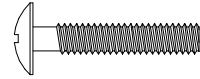
E x 1pc



M x 4pcs



S x 1pc

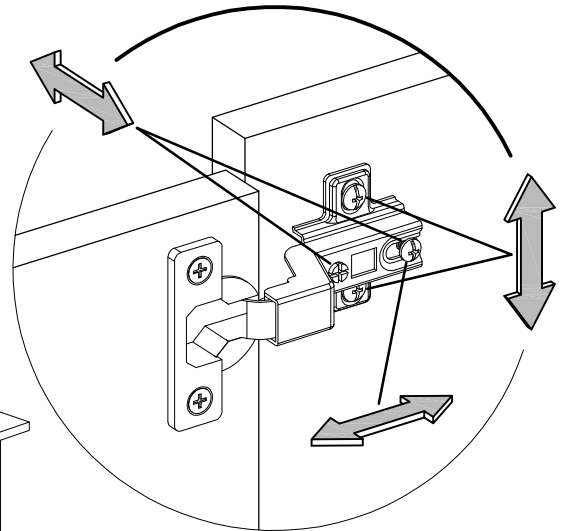
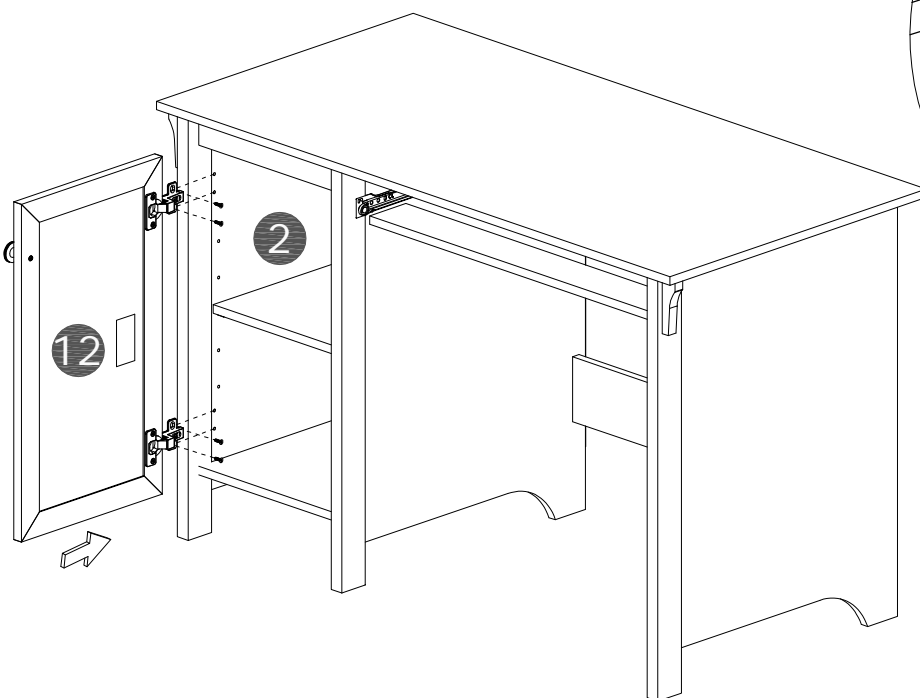
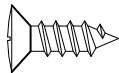


WARNING

Caution, Storing electronic equipment may result in equipment overheating. Shelves located behind doors are not intended for storing electronic equipment. Placing electronic equipment in this area may result in equipment overheating

STEP 11

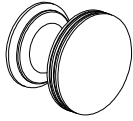
M x 4pcs



Adjustment

STEP 12

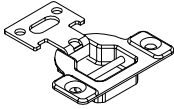
E x 1pc



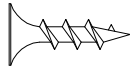
S x 1pc



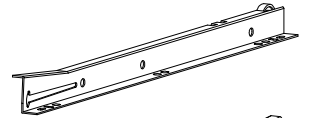
F x 2pcs



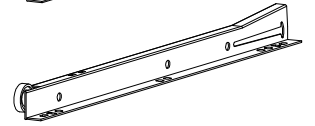
N x 4pcs



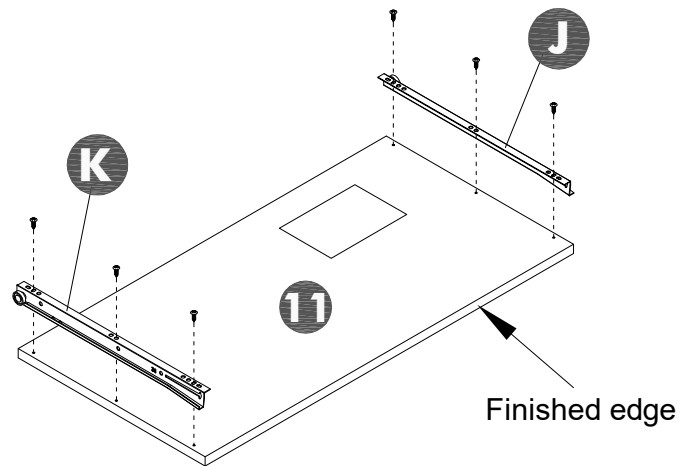
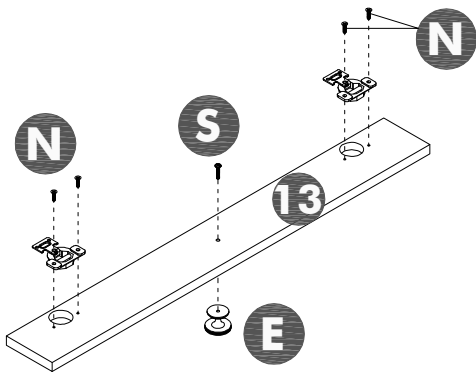
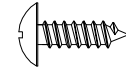
J x 1pc



K x 1pc

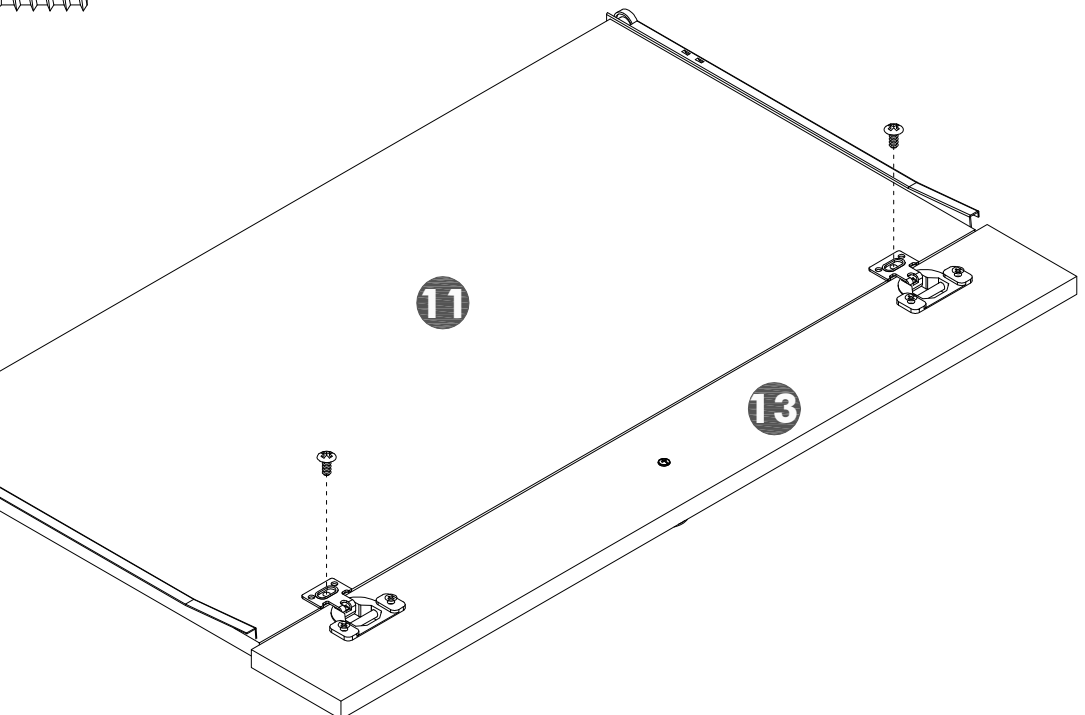
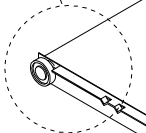
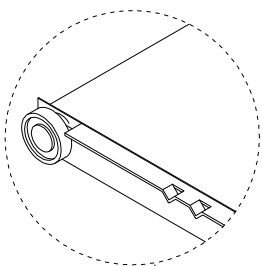
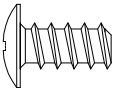


O x 6pcs

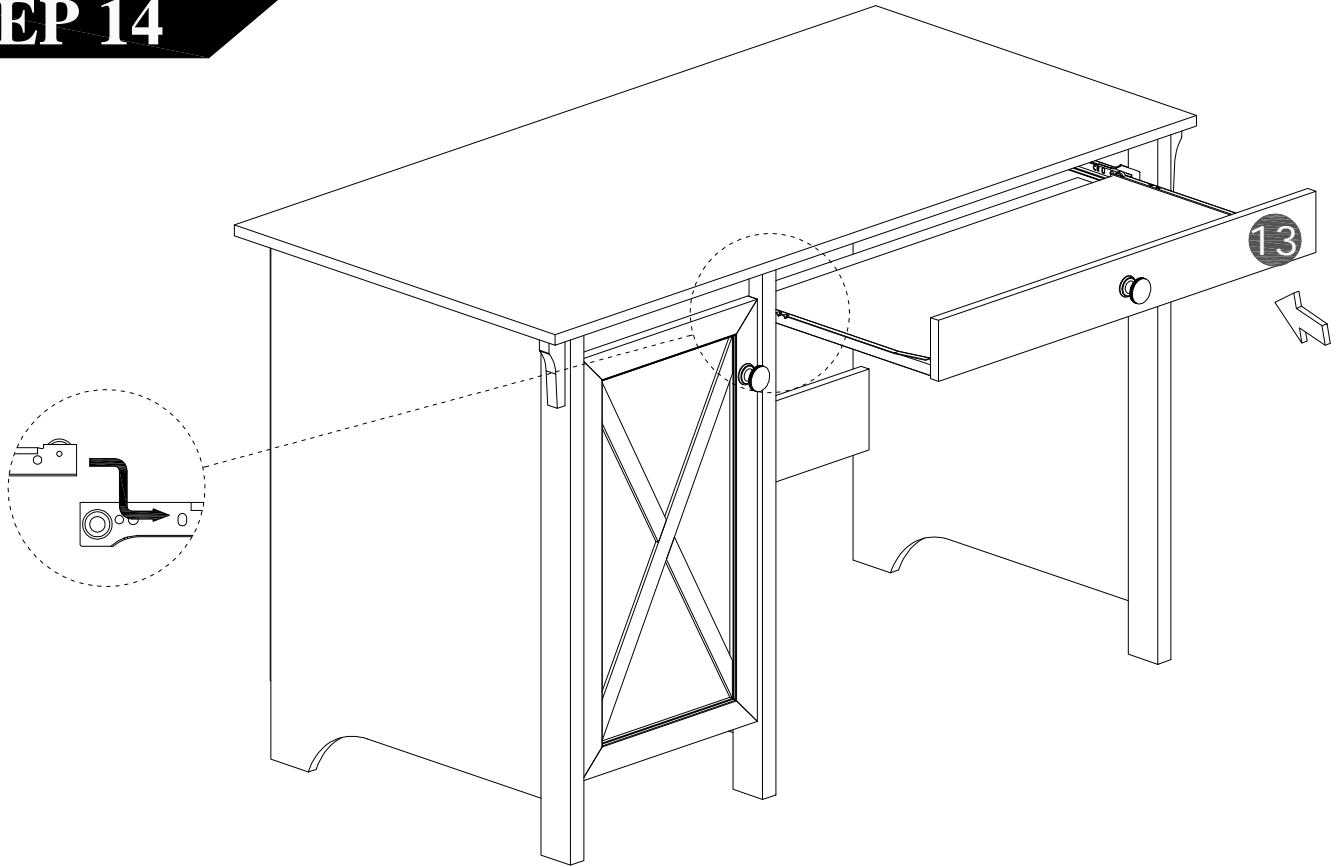


STEP 13

R x 2pcs



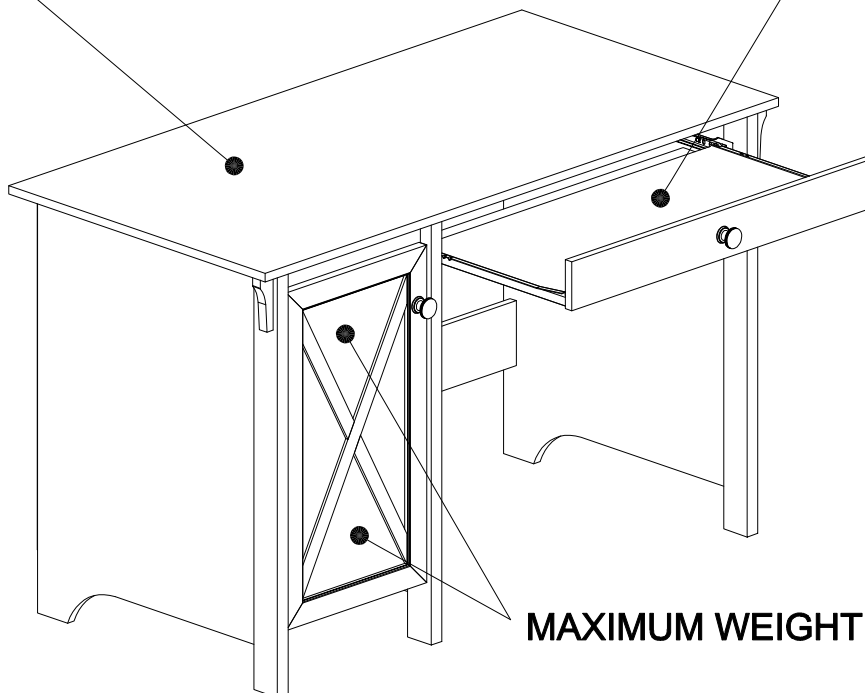
STEP 14



Maximum weight capacities

MAXIMUM WEIGHT: 150 LBS (68 KG)

MAXIMUM WEIGHT: 15 LBS (7 KG)



MAXIMUM WEIGHT: 22 LBS (10 KG)