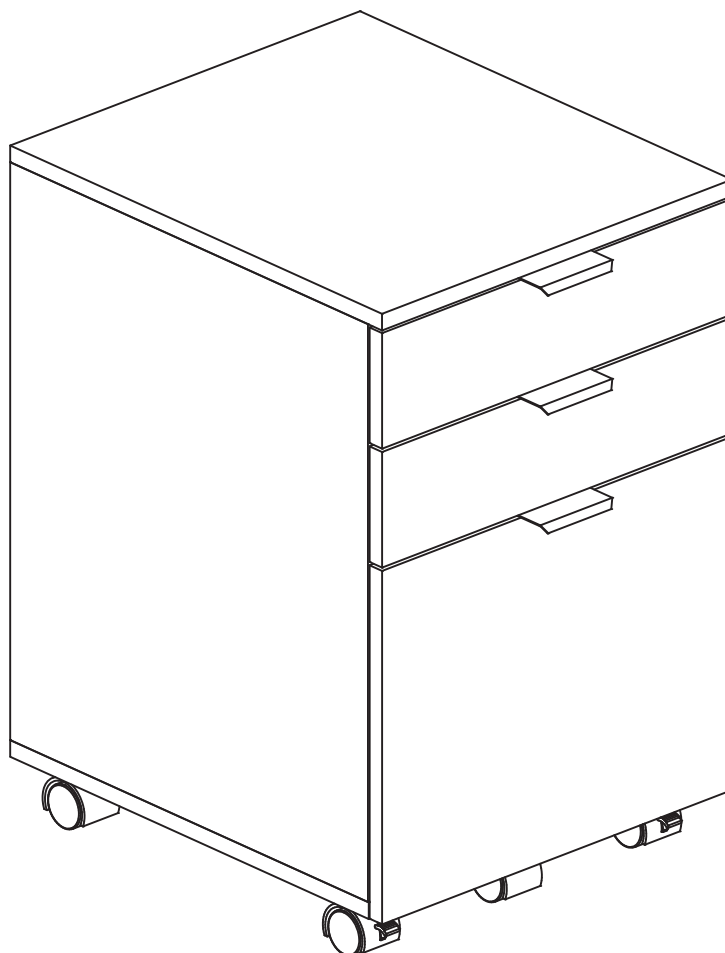


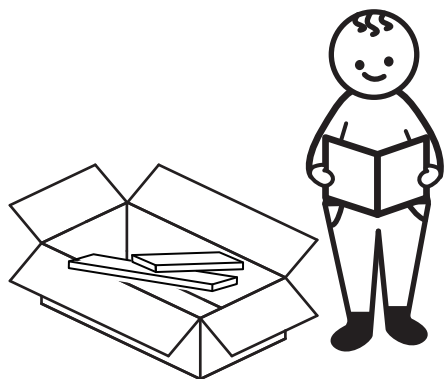
ST4000/ST4100



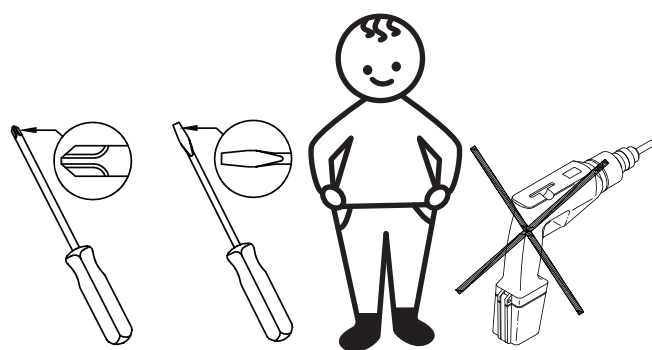
Assembly Instructions

We have designed our furniture with you, the customer in mind. Our clear, easy to follow step by step instructions will guide you through the project from start to finish. Feel confident that this will be a fun and rewarding project. The final product will be a quality piece of furniture that will go together smoothly and give enjoyment.

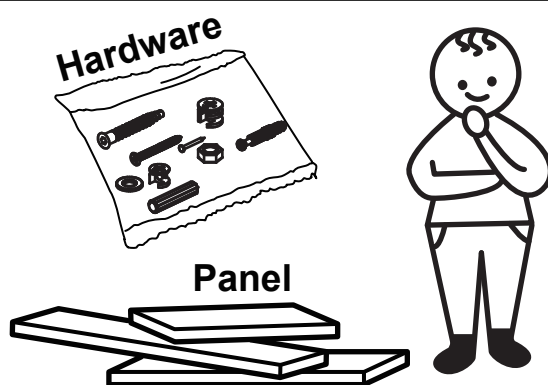
Assembly Checklist



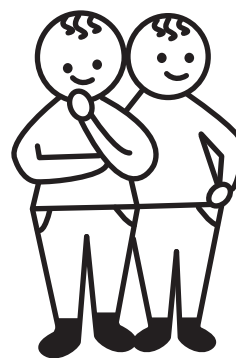
Read through the instructions carefully before you begin.



Make sure you have all the required tools. Never use power tools unless instructed.



Identify and lay out all of the components before you begin assembly.



Two people are required to assemble.

Useful Information

! Never use power tools unless specifically instructed. They can damage your components or hardware if used incorrectly.

! The most common mistakes made during assembly are using the wrong hardware or getting components back to front.

! Always use a soft surface (such as carpet or cardboard) when assembling your product to avoid scratching or damaging the surface of the product.

! Bulky items such as wardrobes and bunk beds should be assembled in the room they will be used in as they may not fit through a door once assembled.

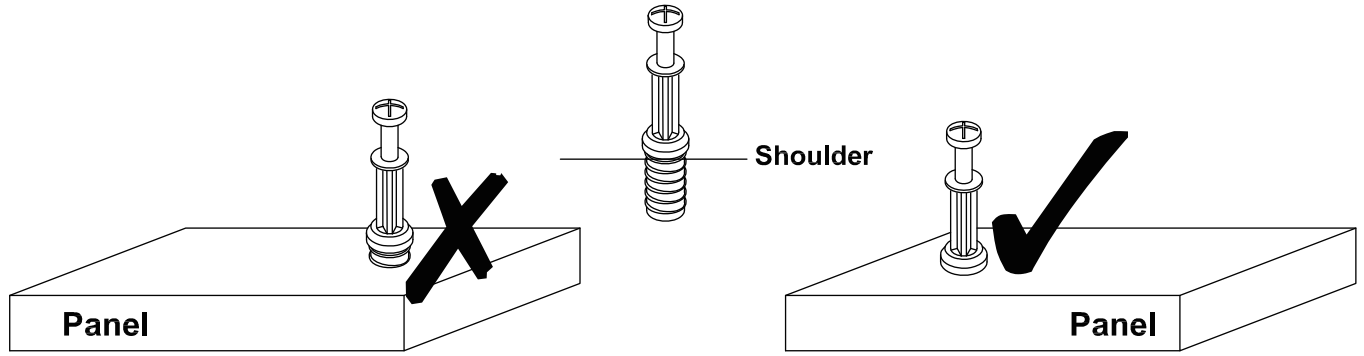
! Never use any glue until you are certain that the parts belong together.

! Periodically check and re-tighten all fasteners. Check the product care label or website for product care instructions.

! If you are having any difficulties assembling your product, missing any hardware or components please email us.

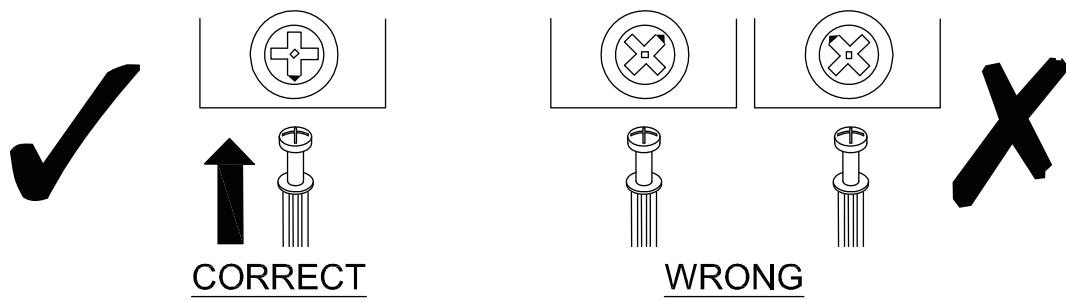
! Please see page 2 for any safety requirements or weight restrictions.

QUICKFIT



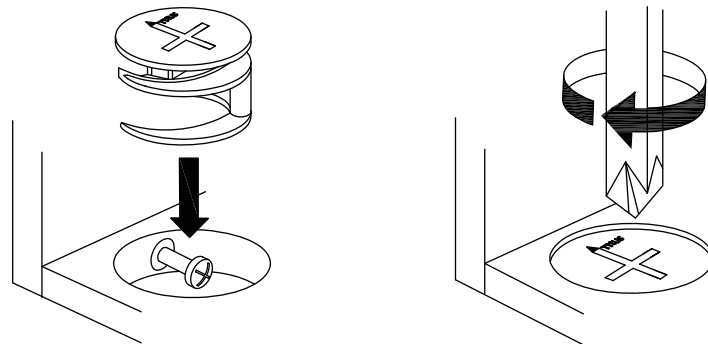
Tighten quickfit until shoulder is flush with panel. Do not overtighten or undertighten.

CAM LOCK

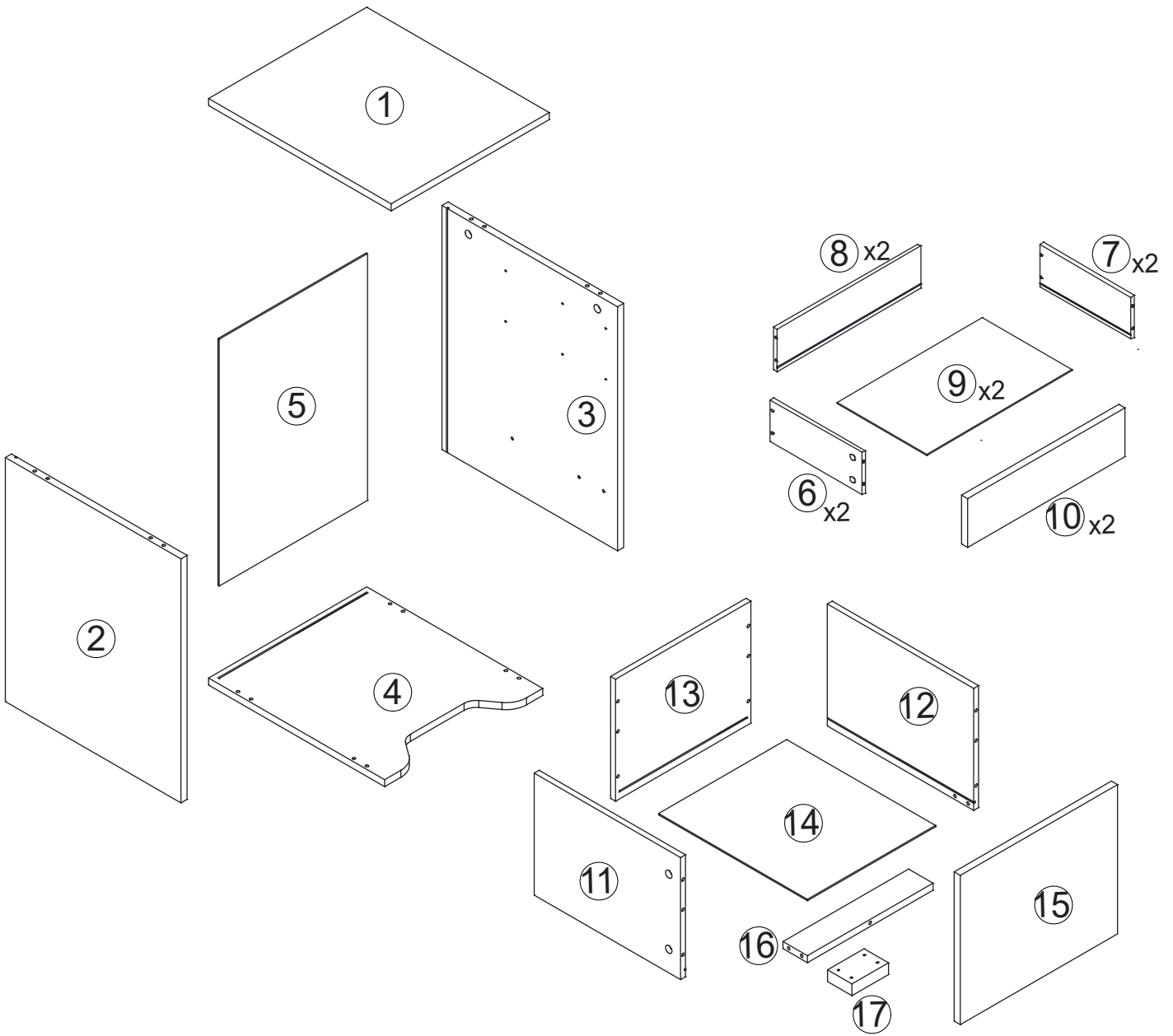


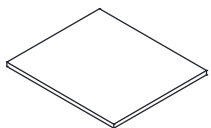


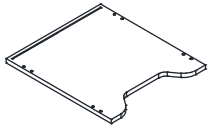
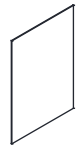
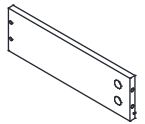

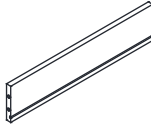
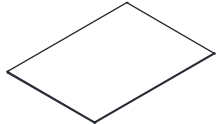
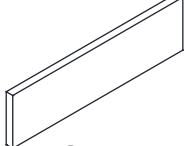
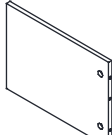
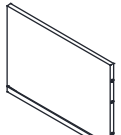
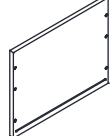
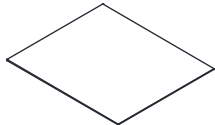
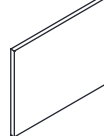


When fitting cam lock, ensure starting position is correct before you insert connecting quickfit.






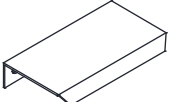
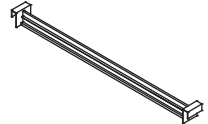
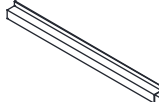
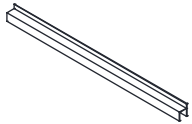



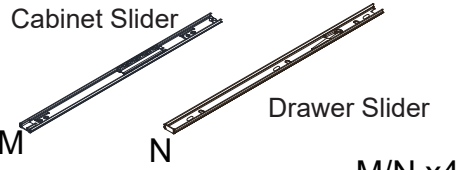
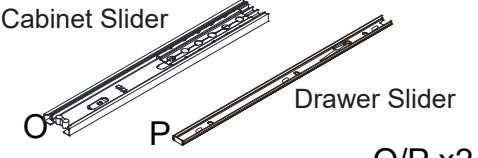
Quickfit head should be in the centre of the cam lock when the two panels are joined. Cam lock should be inserted before quickfit.



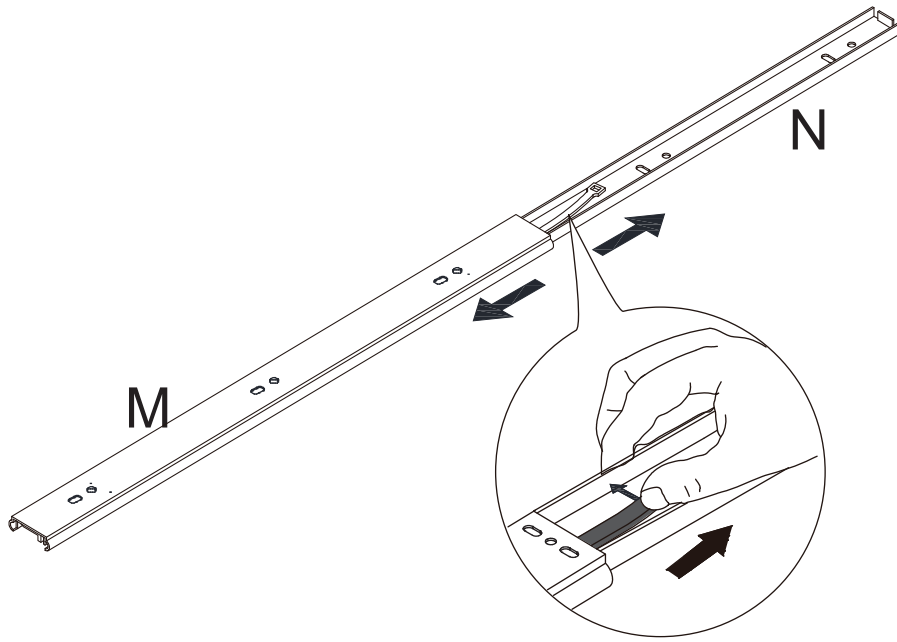
Turn cam lock clockwise to tighten.



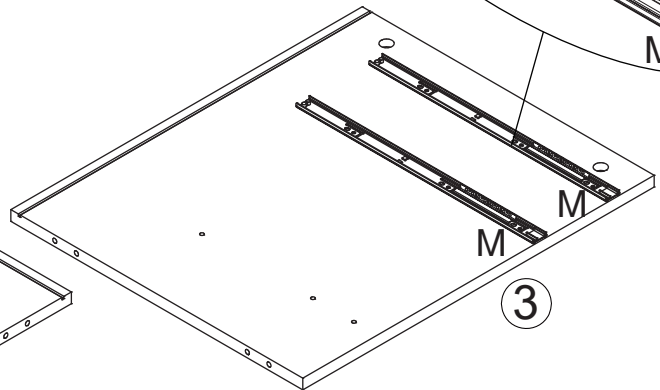
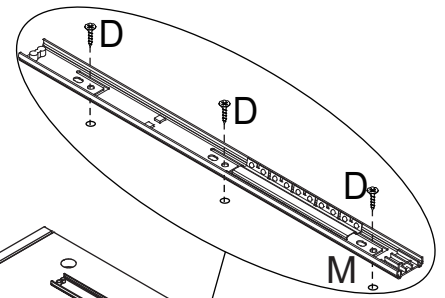
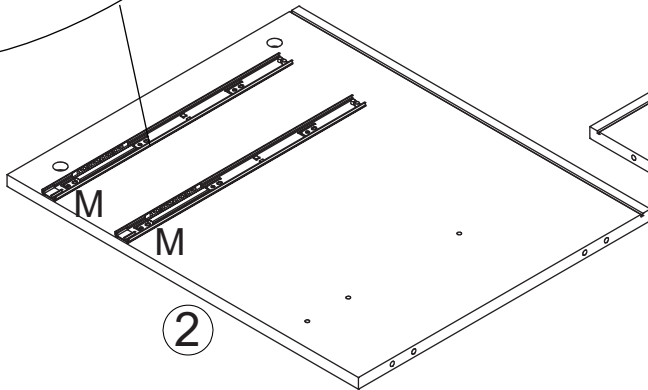
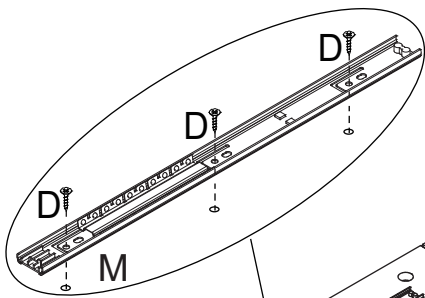
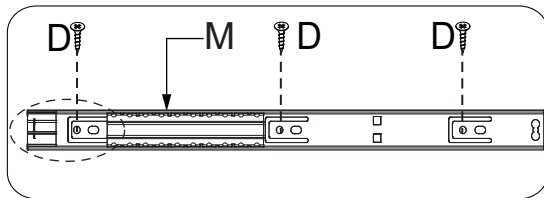
 ① x1	 ② x1	 ③ x1	 ④ x1	 ⑤ x1	 ⑥ x2
 ⑦ x2	 ⑧ x2	 ⑨ x2	 ⑩ x2	 ⑪ x1	 ⑫ x1
 ⑬ x1	 ⑭ x1	 ⑮ x1	 ⑯ x1	 ⑰ x1	



 Ax16	 Bx16	 Cx17	 Dx62	 Ex20	 Fx3
 Gx1	 Hx1	 Ix2	 Jx2	 Kx3	 Lx4
 Cabinet Slider Drawer Slider M N M/N x4		 Cabinet Slider Drawer Slider O P O/P x2			

Step 1

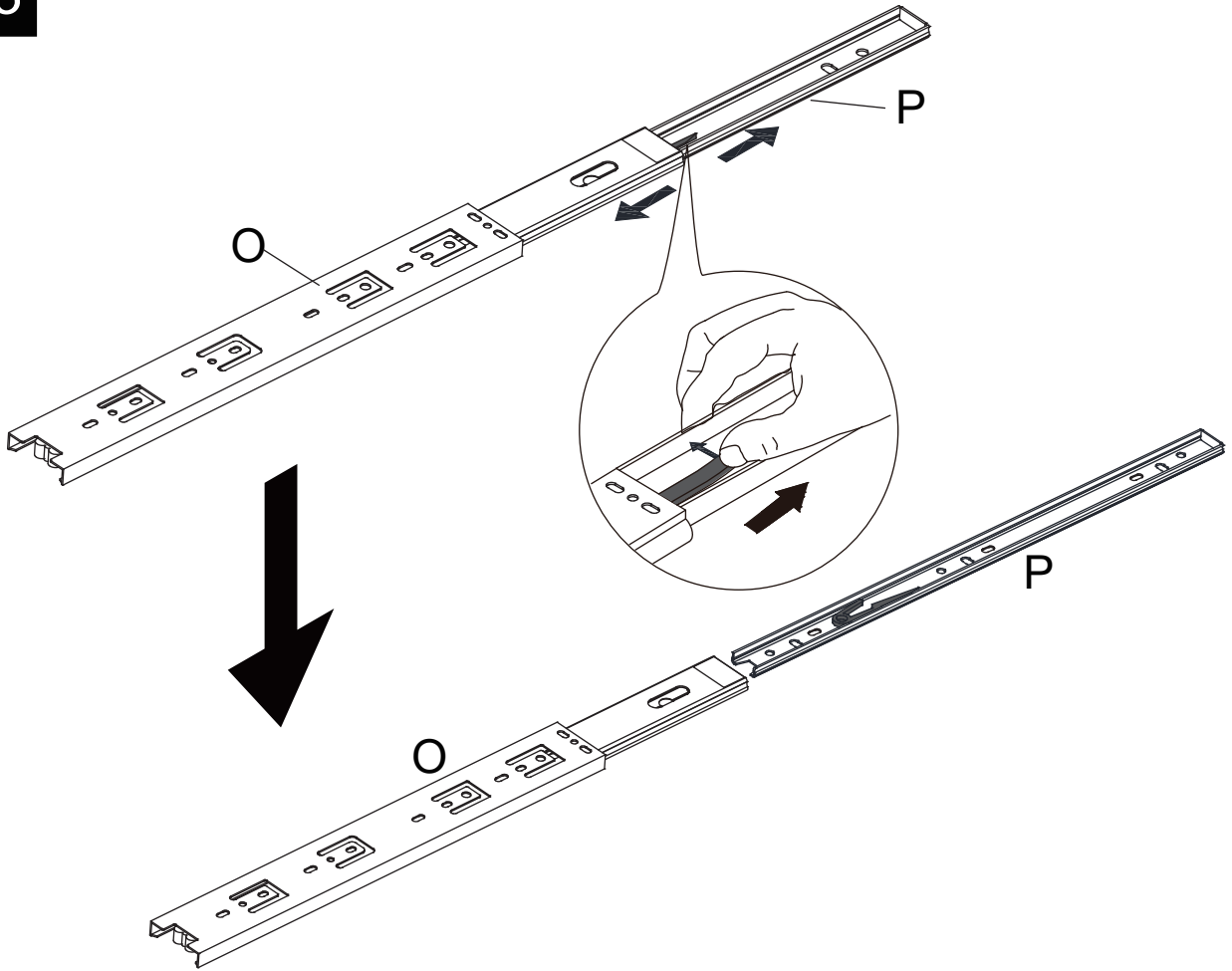


Step 2

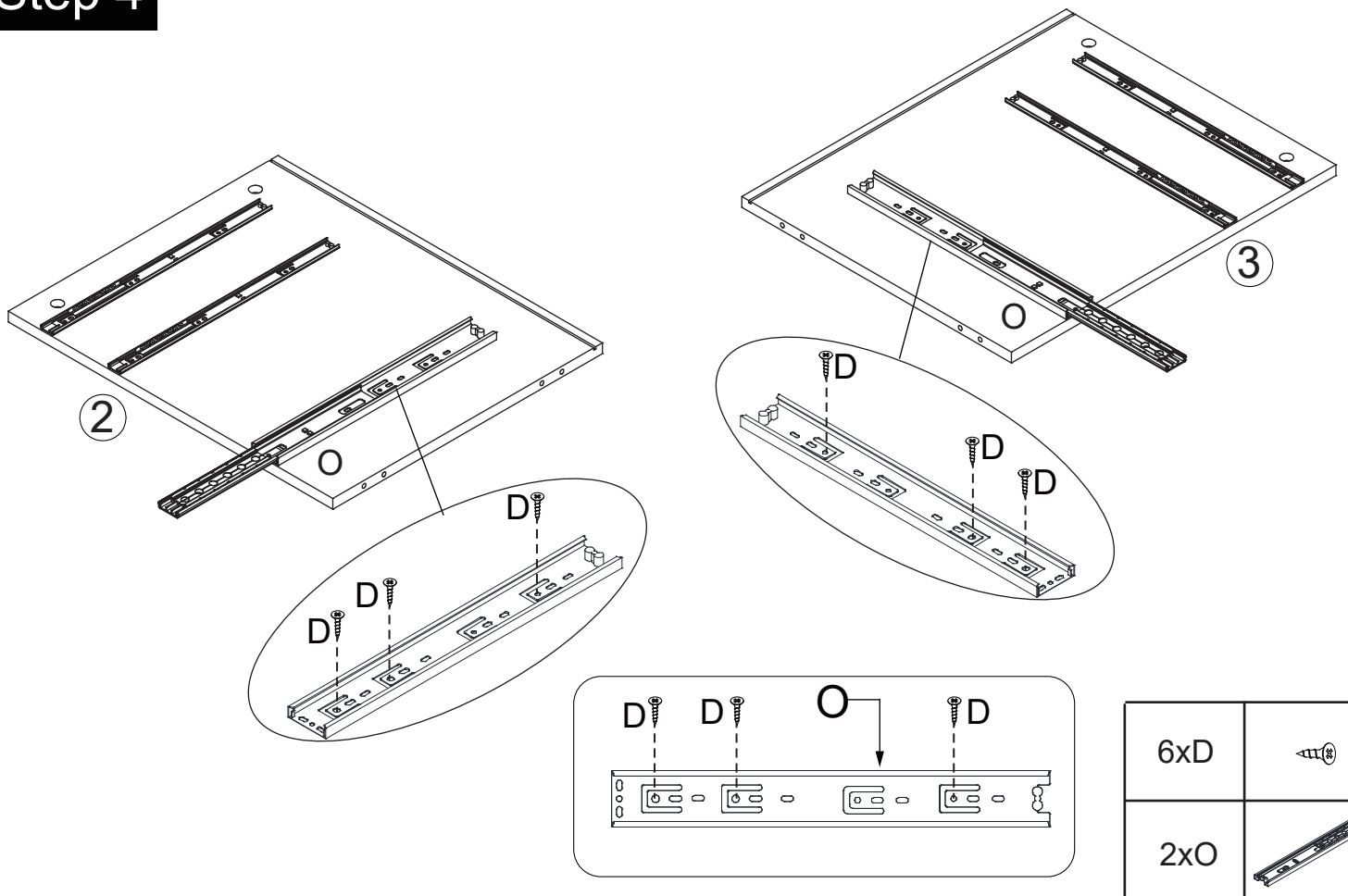


12xD	
4xM	

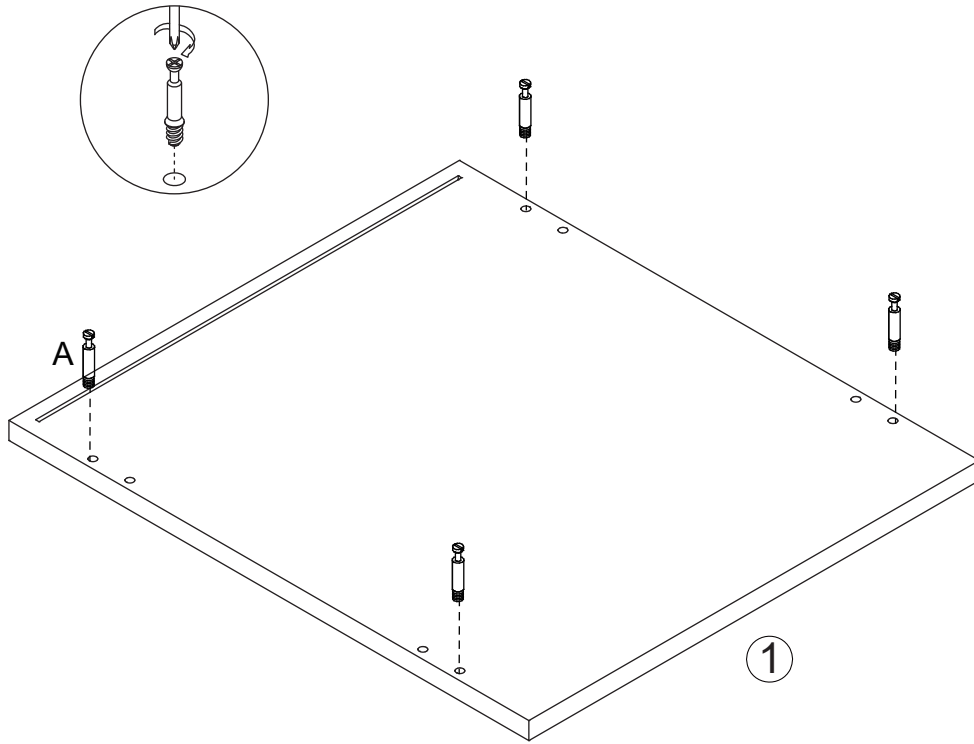
Step 3



Step 4



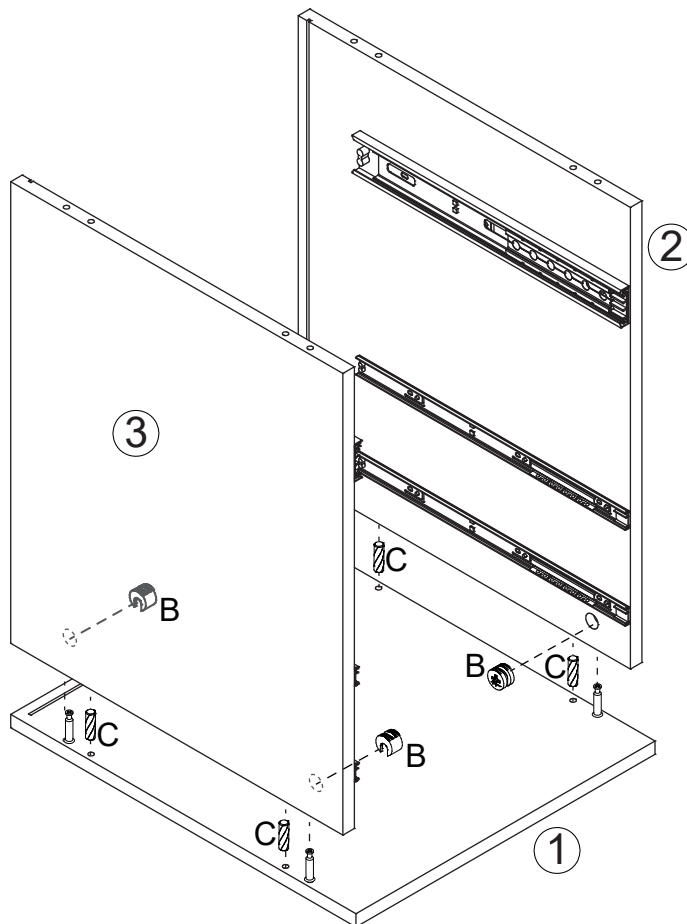
Step 5



4xA



Step 6



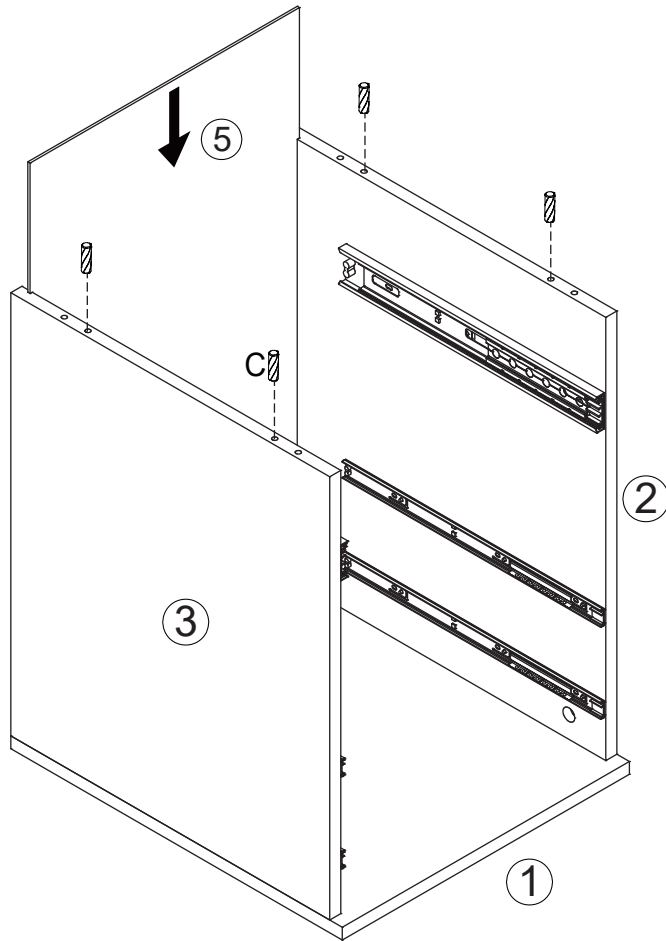
4xB



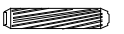
4xC



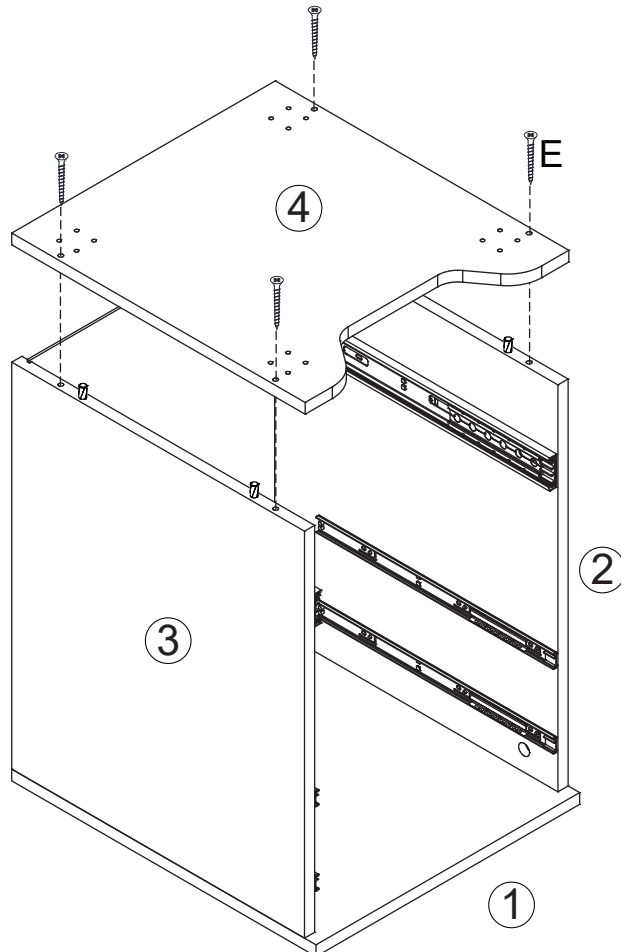
Step 7



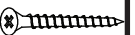
4xC



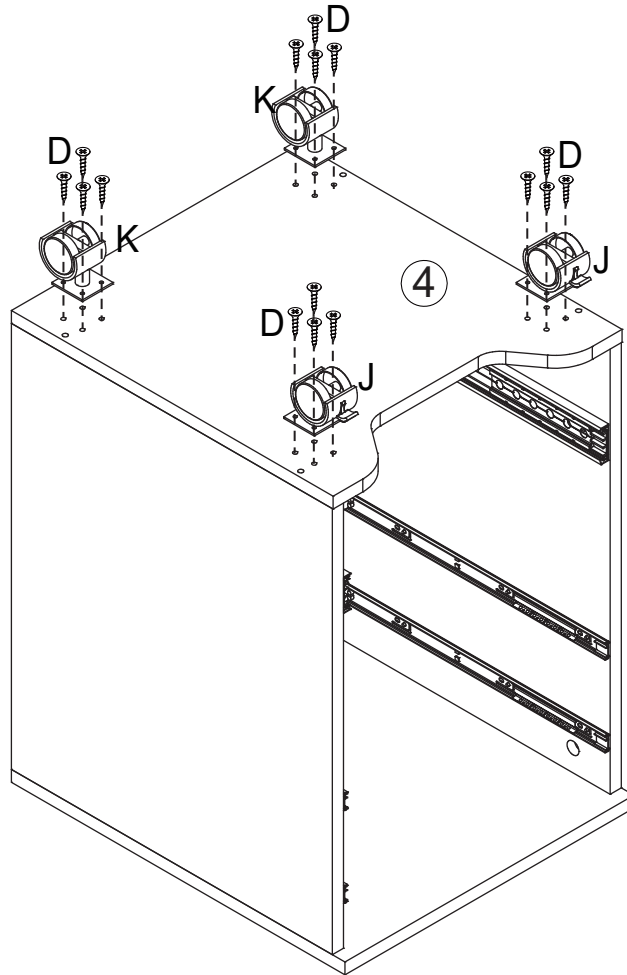
Step 8



4xE

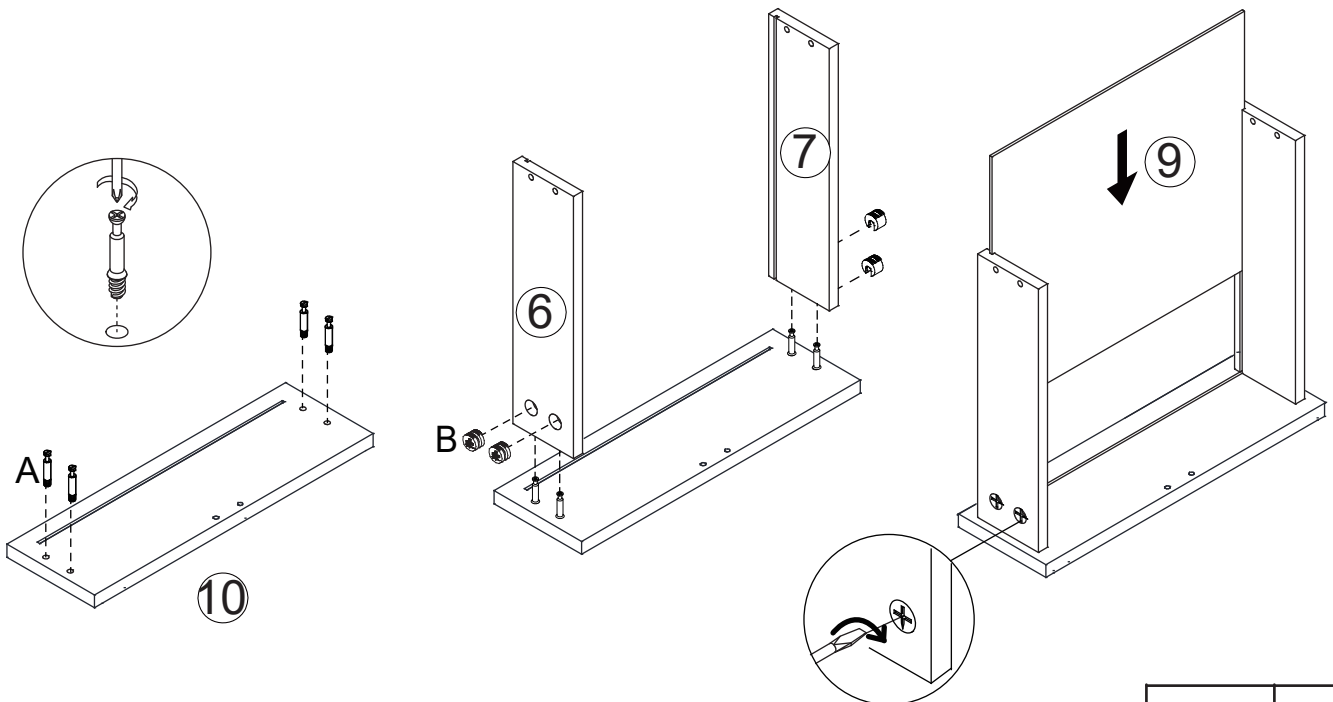


Step 9



16xD	
2xJ	
2xK	

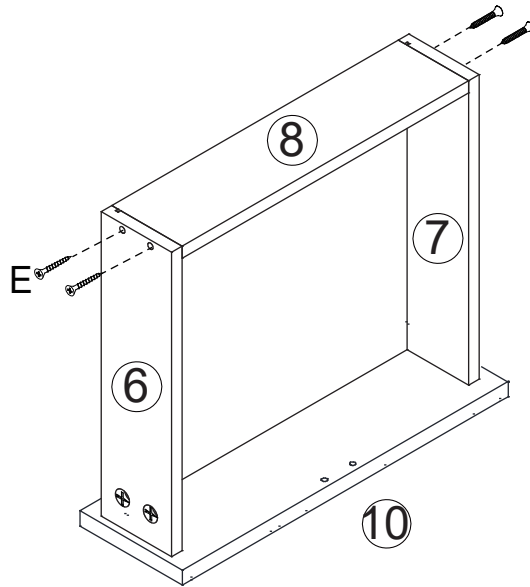
Step 10



x 2

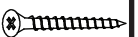
8xA	
8xB	

Step 11

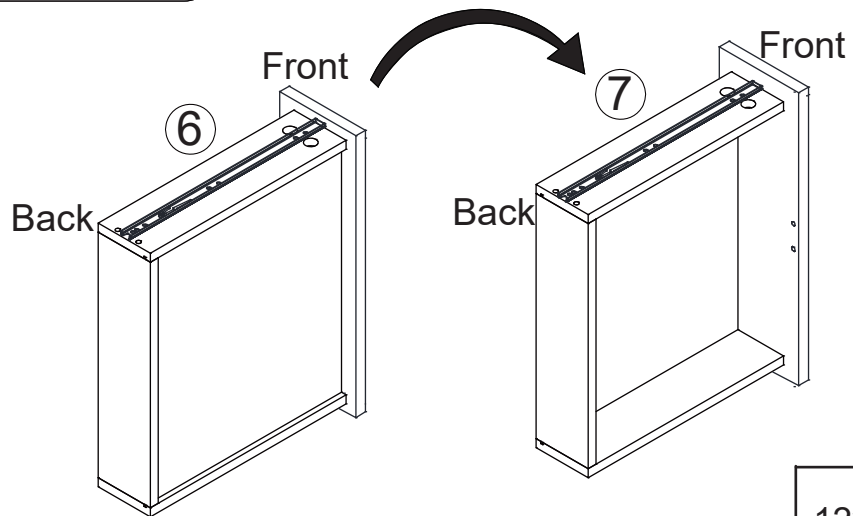
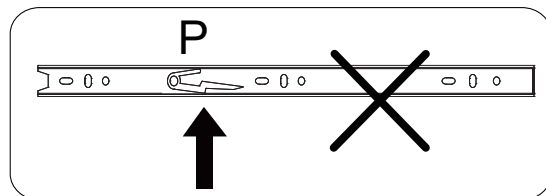
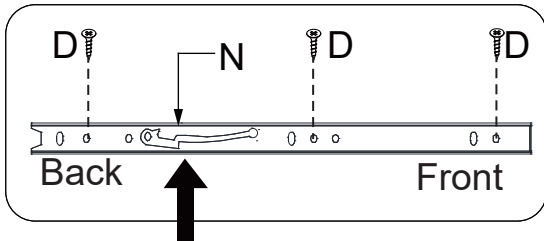


x 2

8xE



Step 12



x 2

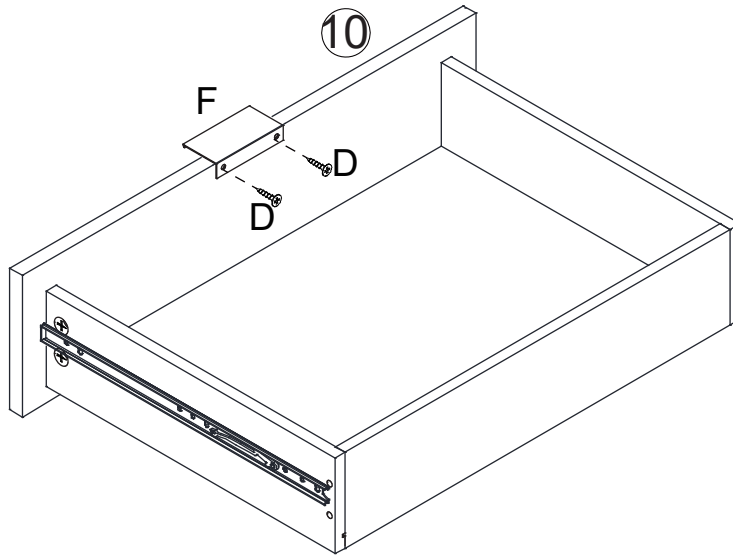
12xD



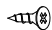

4xN



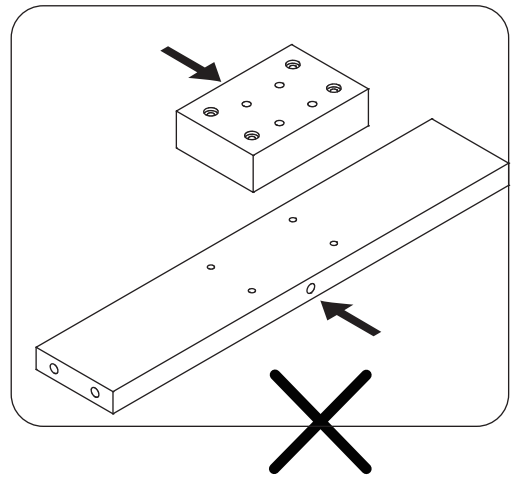
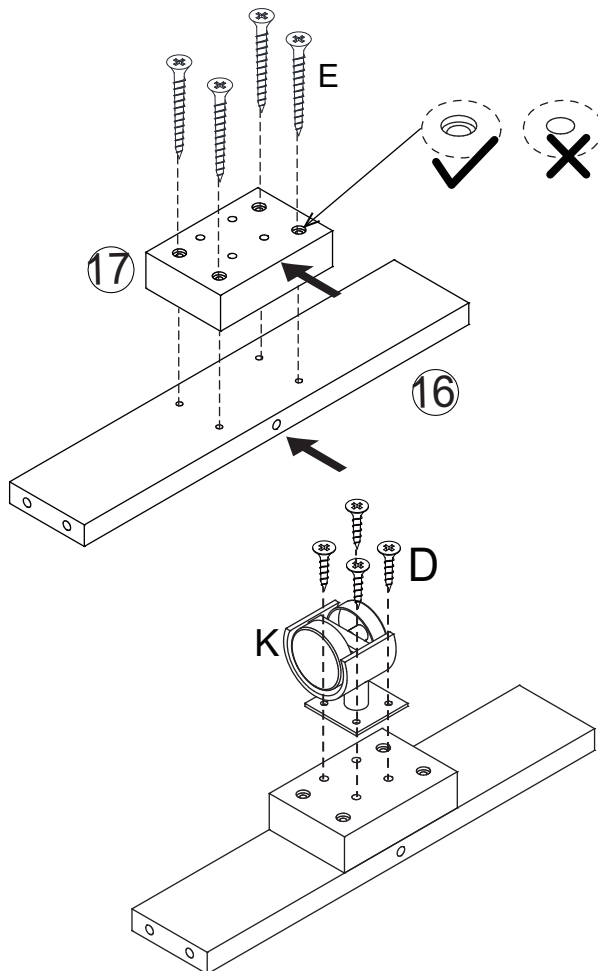
Step 13


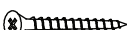



x 2

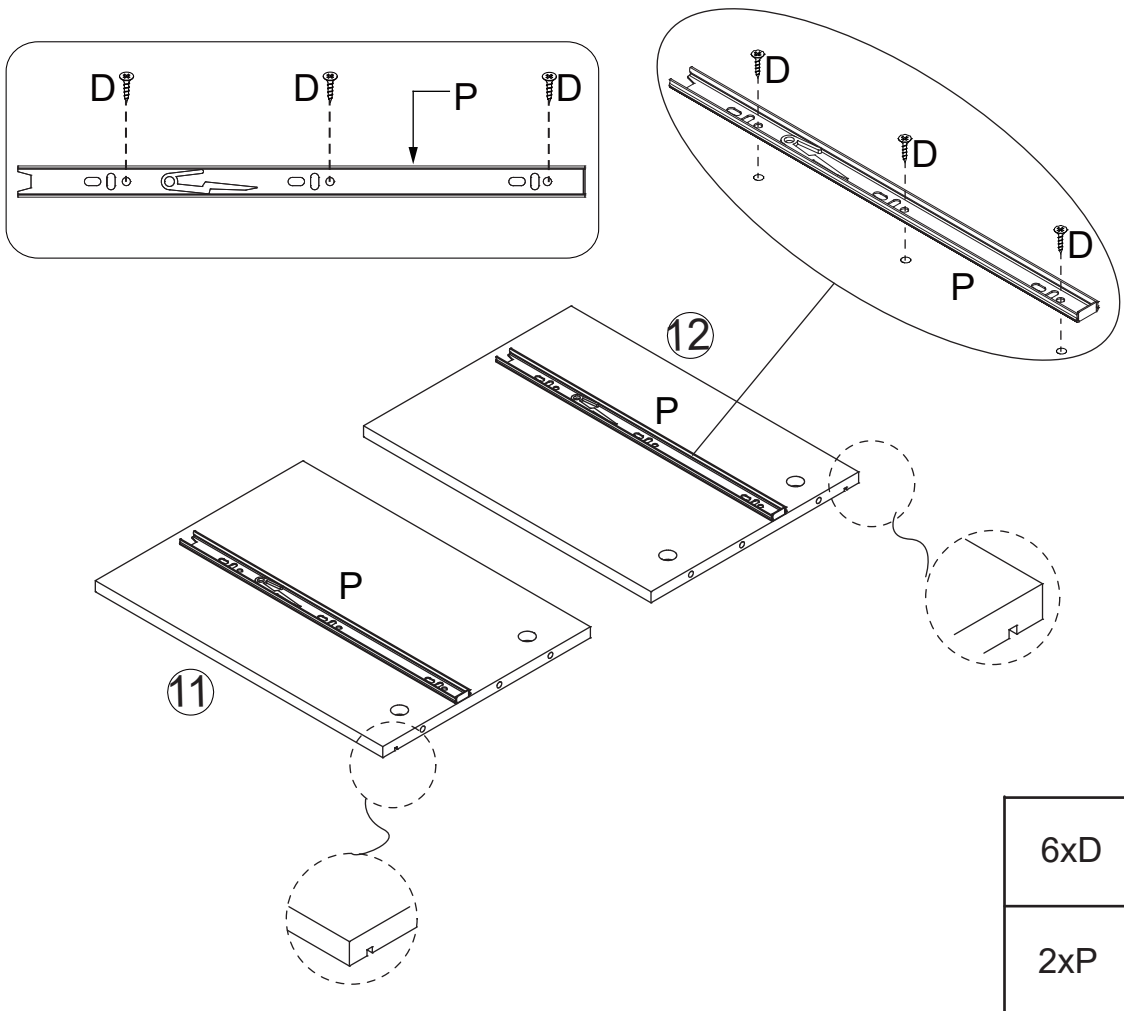
4xD	
2xF	

Step 14

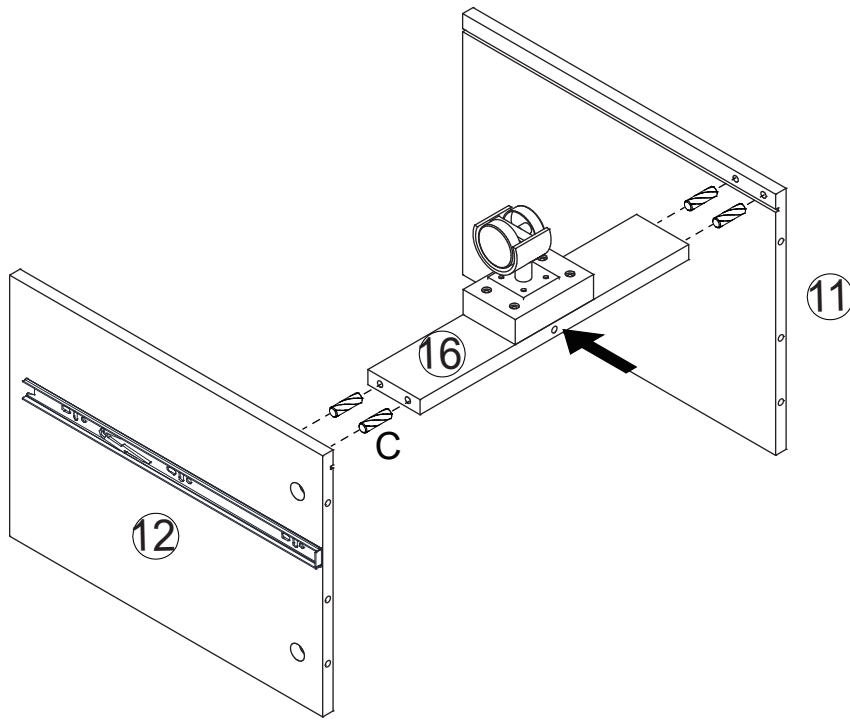



4xD	
4xE	
1xK	

Step 15

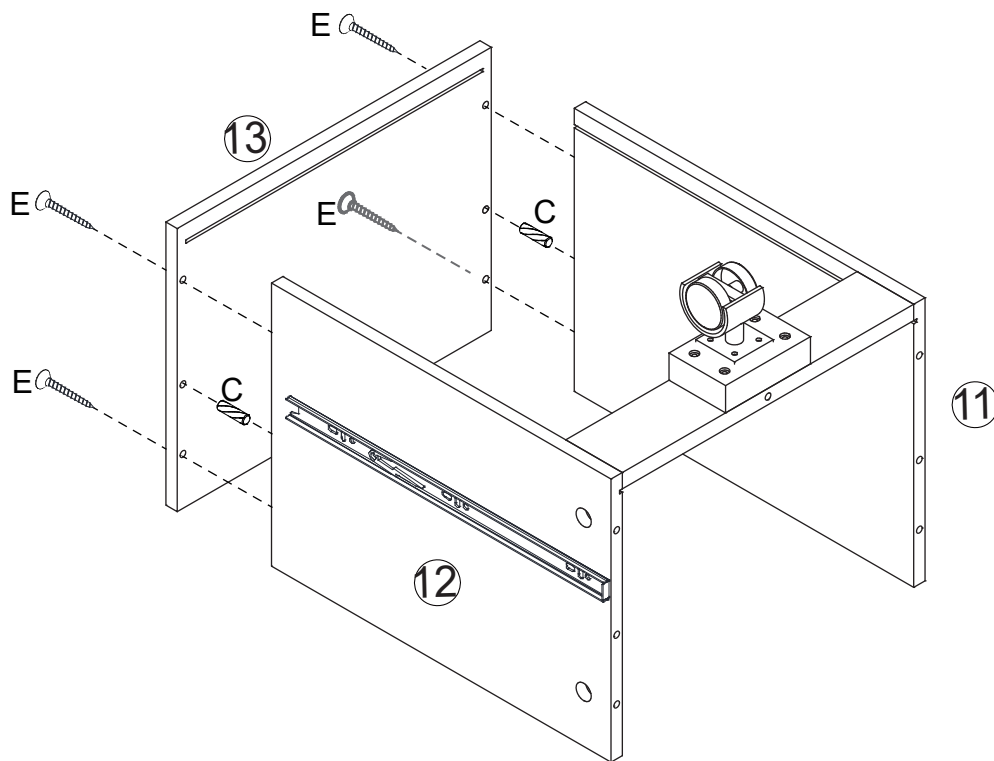


Step 16



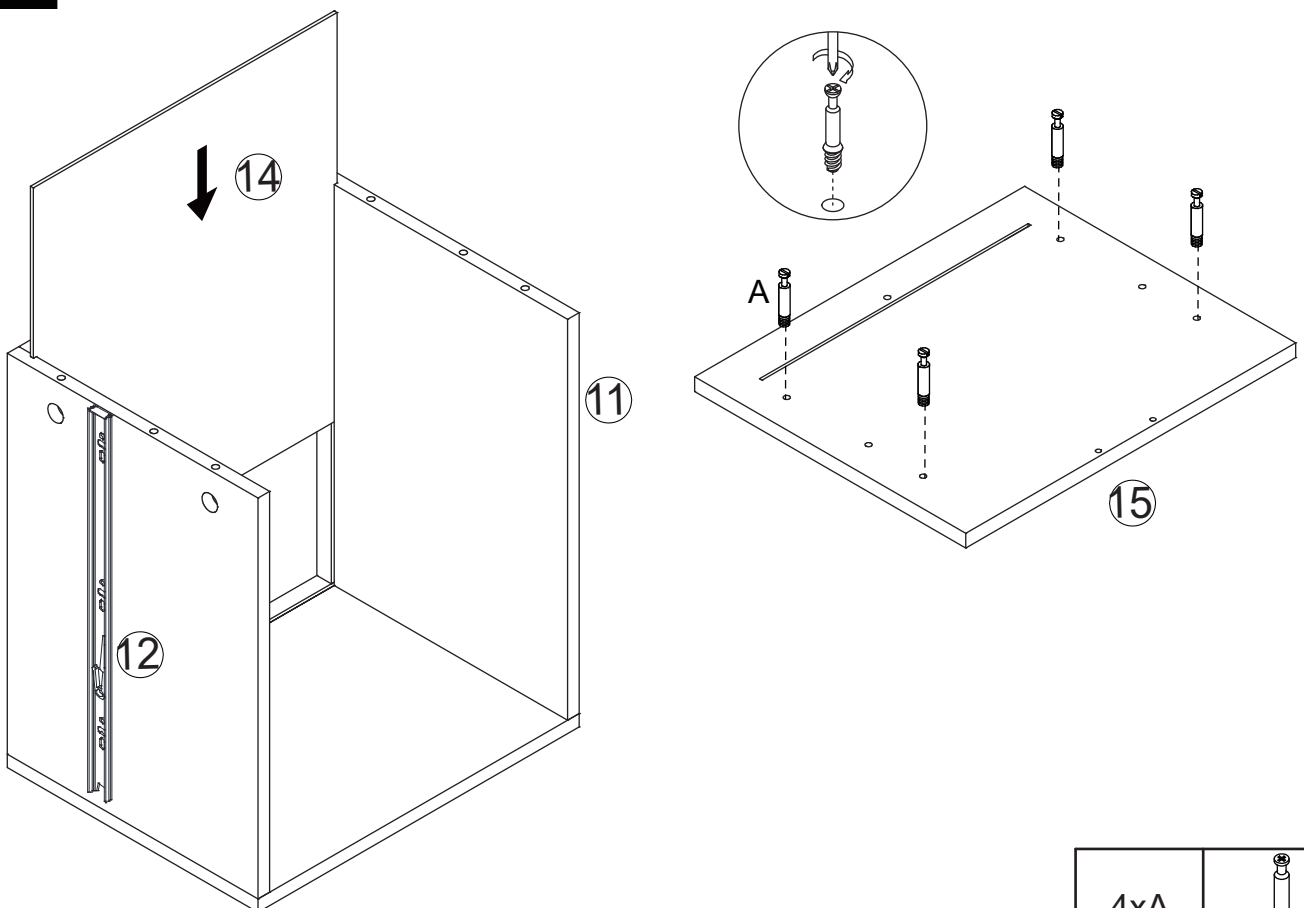
4xC	
-----	---

Step 17



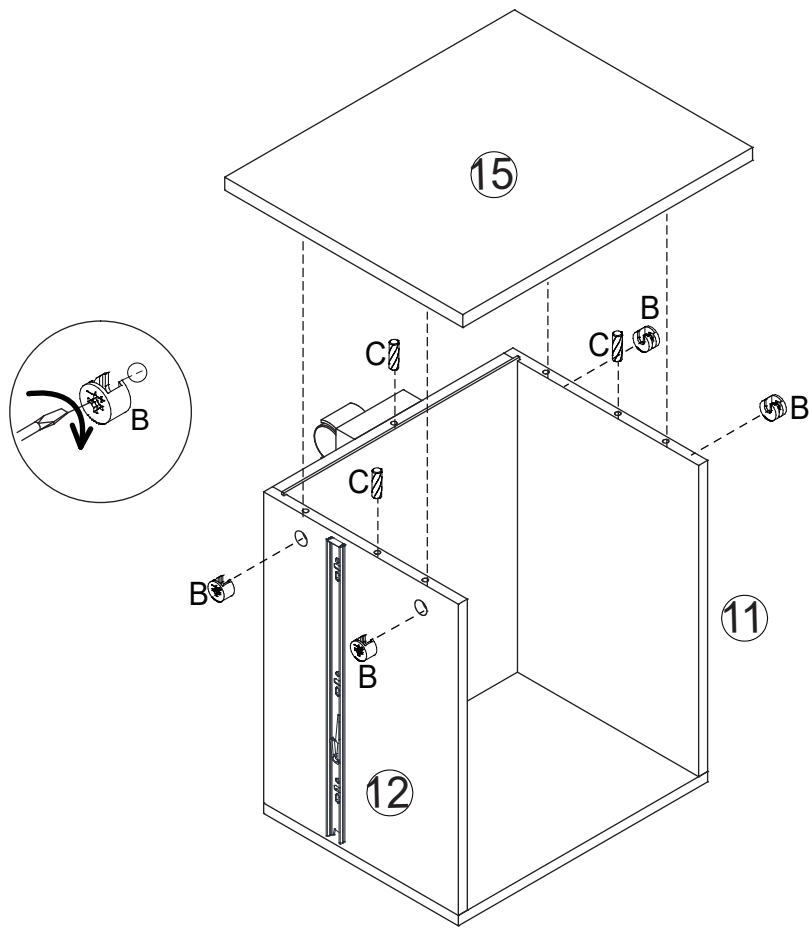
2xC	
4xE	



Step 18



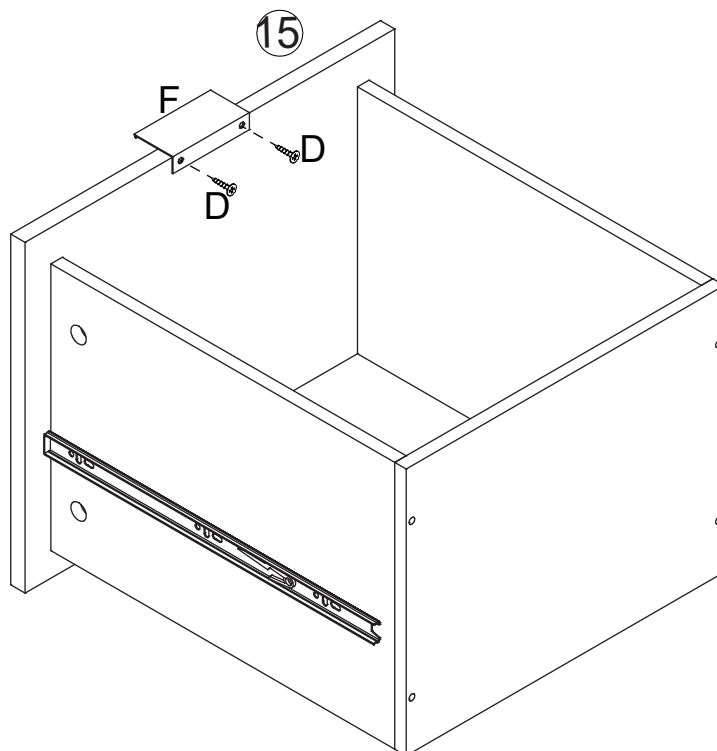
4xA	
-----	--



Step 19



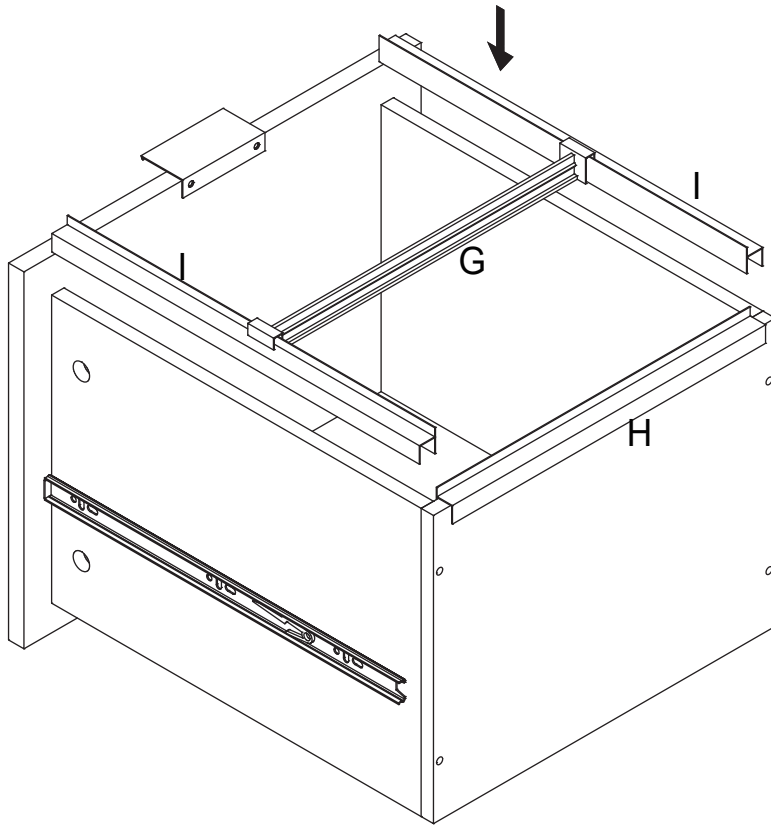
4xB	
3xC	

Step 20



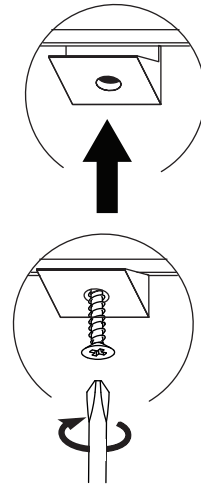
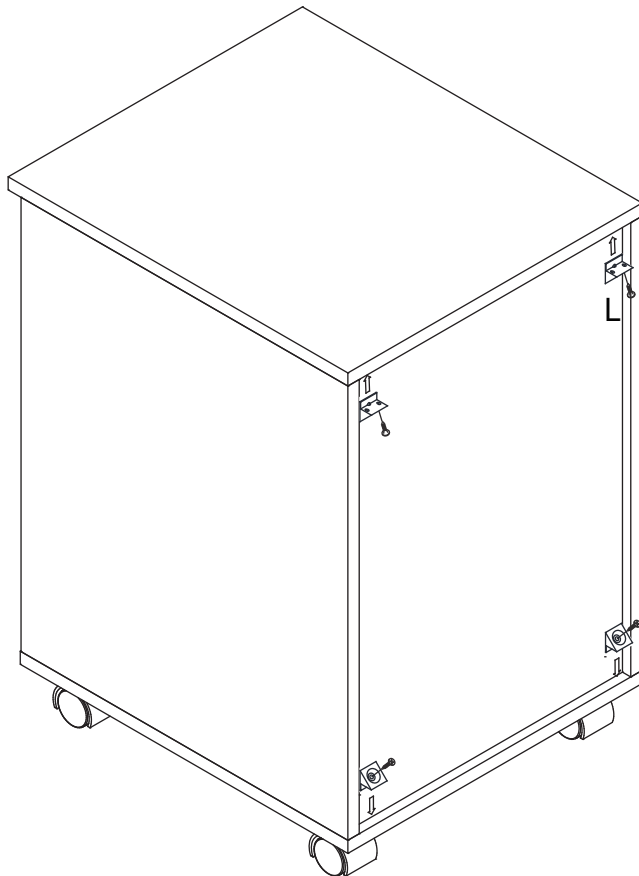
2xD	
1xF	

Step 21



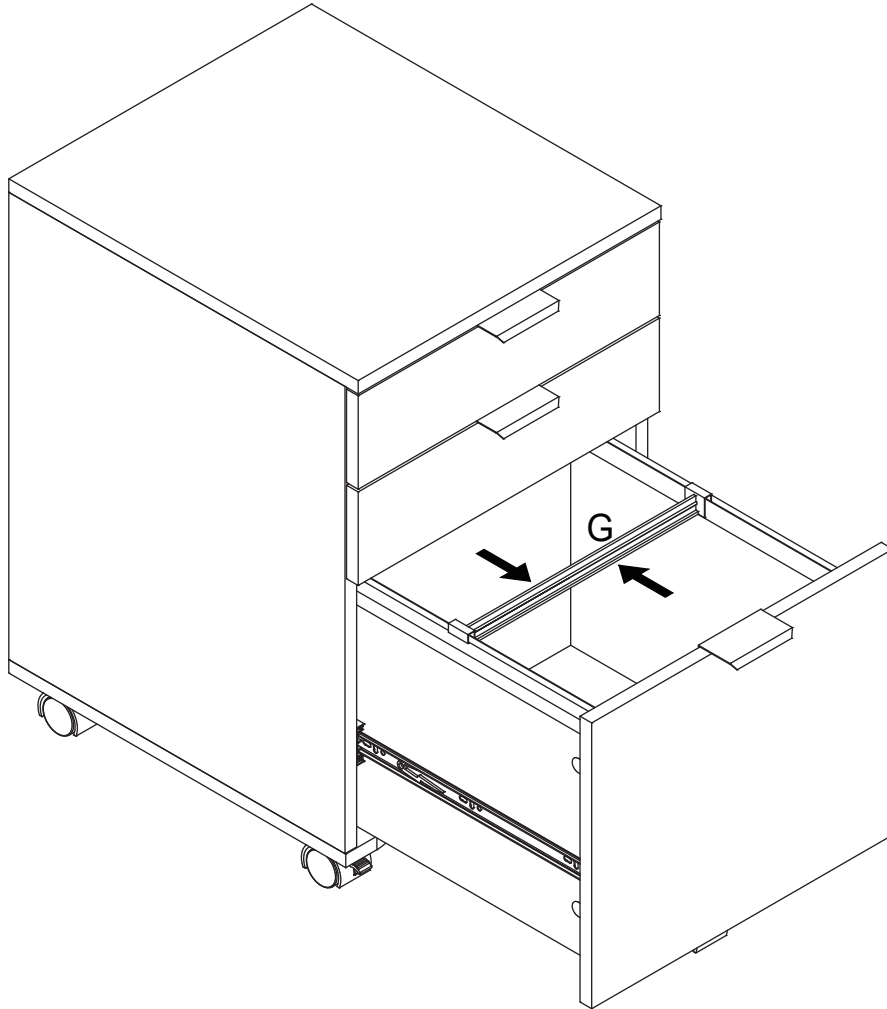
1xG	
1xH	
2xI	

Step 22



4xL	
-----	--

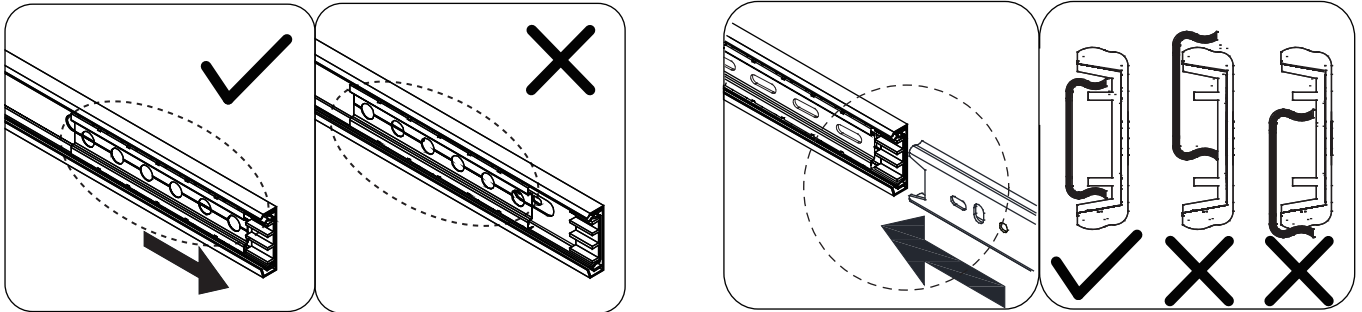
Step 23



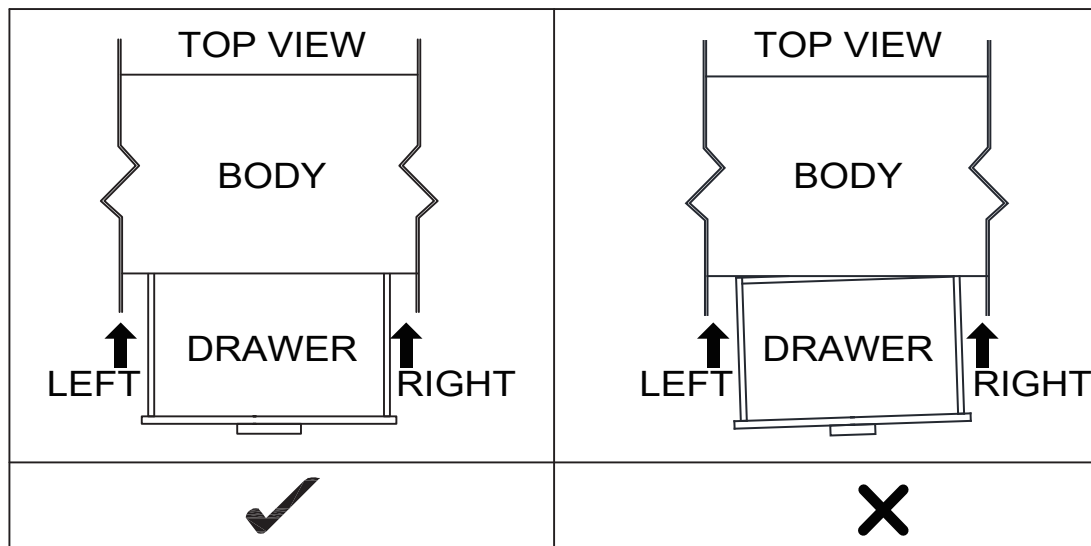
NOTE: Refer to next page for drawer installation guidelines.

Drawer Installation Guide

- Before you insert the drawers into the frame, please ensure that the ball bearing sliders (on the assembled unit) have been placed to the front of the main unit. If the bearings are in the middle of the slider it will be difficult to install the drawers correctly.

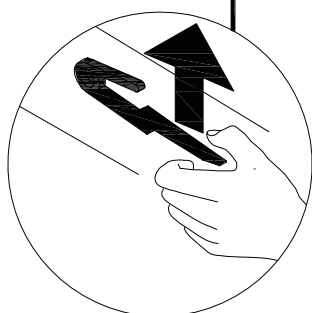
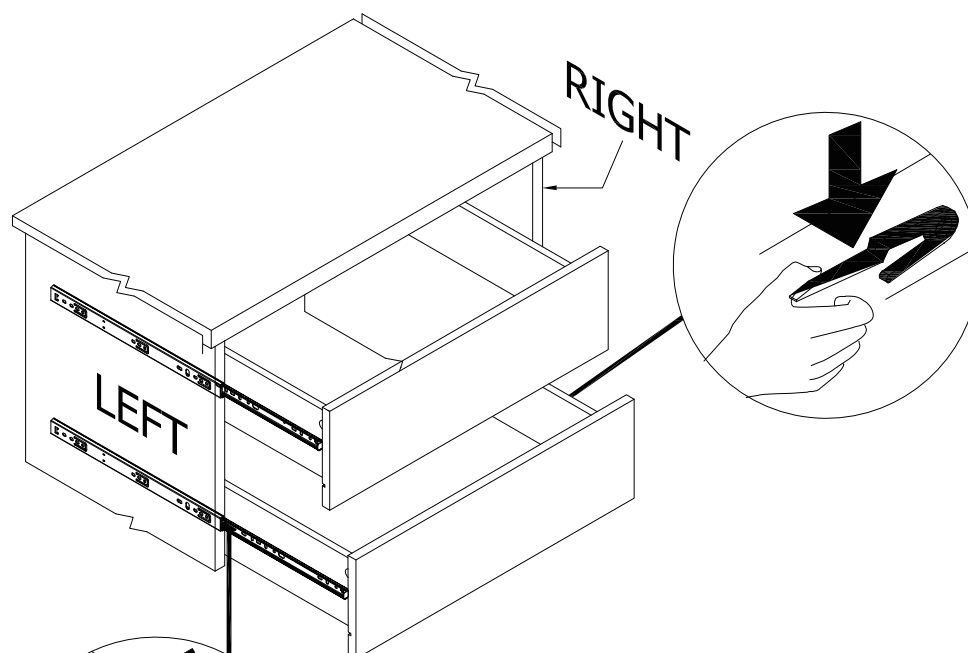


- Insert the drawer into the assembled frame as show below. Keep each side of the drawer straight and aligned correctly to the sliders on the assembled frame.



- Gently start to push the drawer into position, the drawer sliders should start to connect with the sliders on the assembled frame. Once connected apply even pressure to each side and gently push the drawer into place.
- The ball bearings should catch the drawer sliders, once they do you may find that you need to apply more pressure, this is perfectly normal as long as you are keeping the drawers straight, push the drawers 100% of the way in. Finally slide drawer in and out a few times to ensure the ball bearings are running smoothly in the slider. Installation is complete.
- At any stage throughout the install process you feel like the drawers are not evenly sliding into the assembled frame, please remove the drawers before they start to attach to the bearing slider and start the install steps again.

NOTE:



⚠ CAUTION

When removing the drawer, be careful to tip up the safety release tab on the left side, and tip it down on the right side to remove the drawer from the body as shown.

