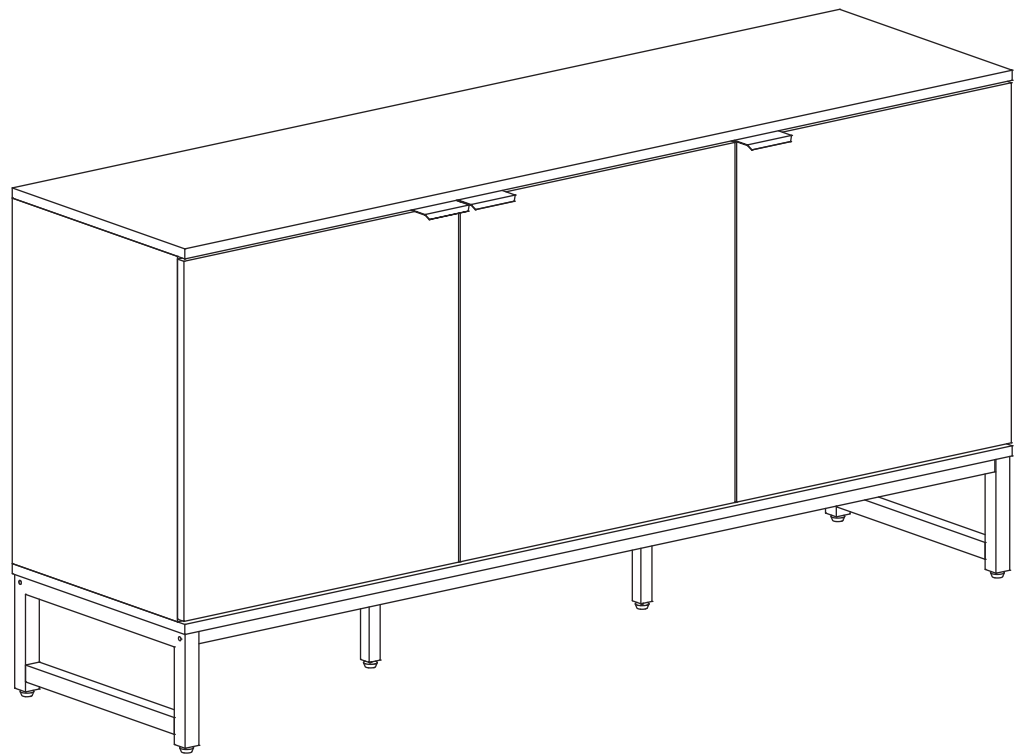


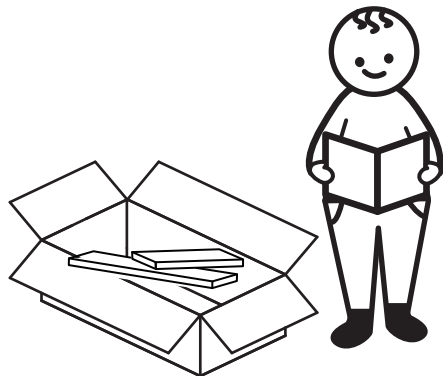
# 502177



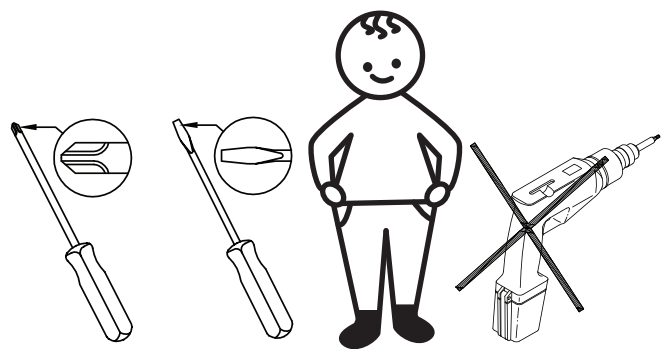
## Assembly Instructions

We have designed our furniture with you, the customer in mind. Our clear, easy to follow step by step instructions will guide you through the project from start to finish. Feel confident that this will be a fun and rewarding project. The final product will be a quality piece of furniture that will go together smoothly and give enjoyment.

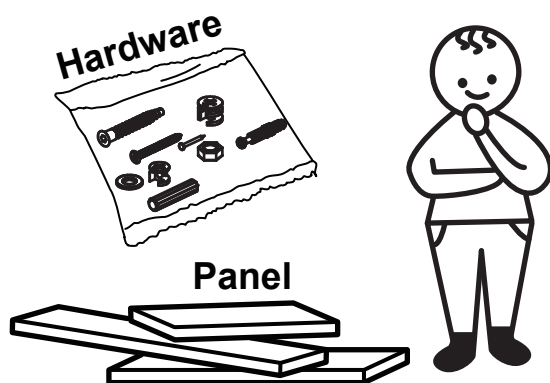
# Assembly Checklist



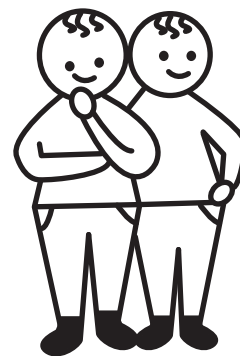
Read through the instructions carefully before you begin.



Make sure you have all the required tools. Never use power tools unless instructed.



Identify and lay out all of the components before you begin assembly.



Two people are required to assemble.

## Useful Information

! Never use power tools unless specifically instructed. They can damage your components or hardware if used incorrectly.

! The most common mistakes made during assembly are using the wrong hardware or getting components back to front.

! Always use a soft surface (such as carpet or cardboard) when assembling your product to avoid scratching or damaging the surface of the product.

! Bulky items such as wardrobes and bunk beds should be assembled in the room they will be used in as they may not fit through a door once assembled.

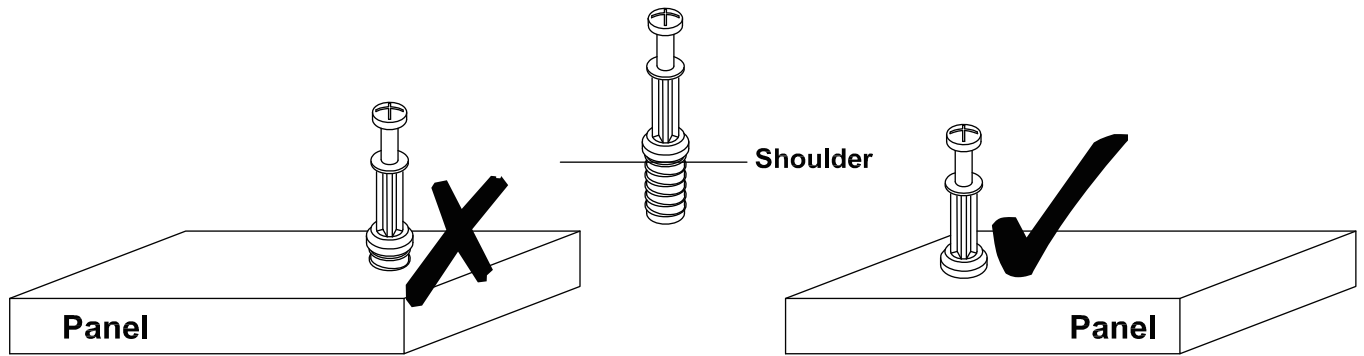
! Never use any glue until you are certain that the parts belong together.

! Periodically check and re-tighten all fasteners. Check the product care label or website for product care instructions.

! If you are having any difficulties assembling your product, missing any hardware or components please email us.

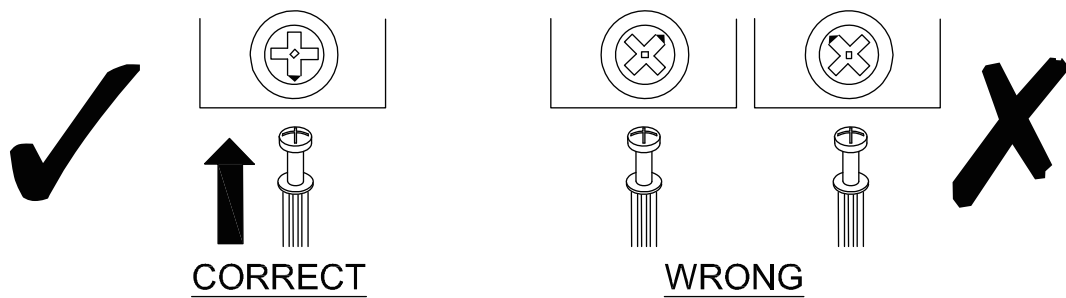
! Please see page 2 for any safety requirements or weight restrictions.

# QUICKFIT



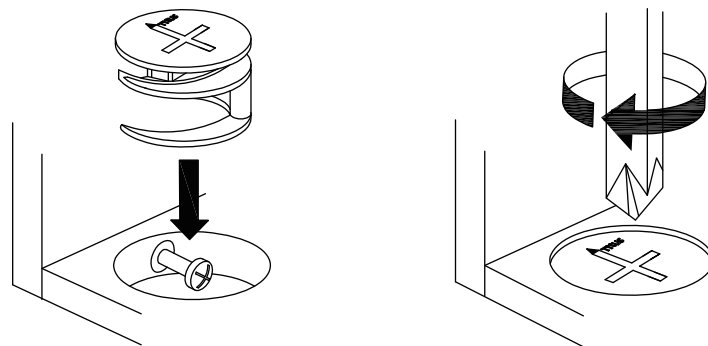
Tighten quickfit until shoulder is flush with panel. Do not overtighten or undertighten.

# CAM LOCK

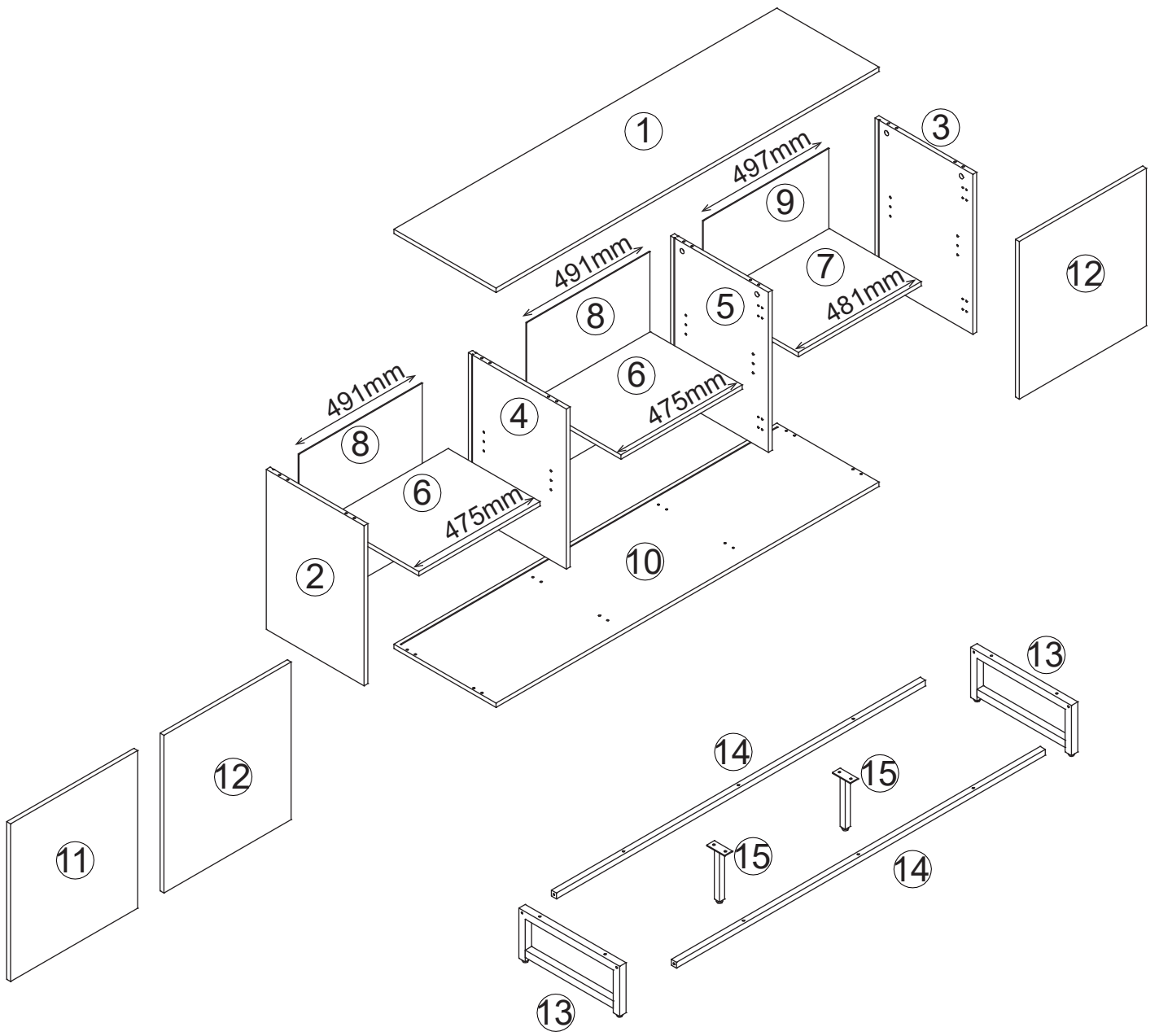


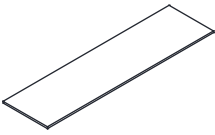
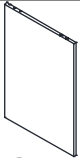
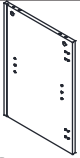
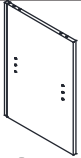

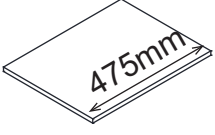
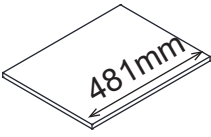
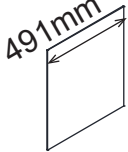
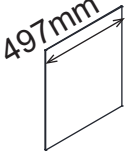
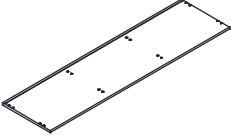
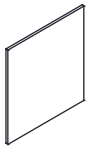
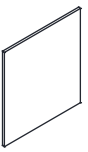
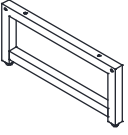
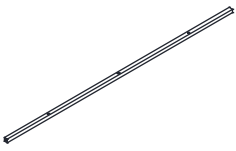
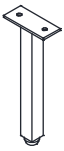



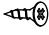
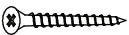
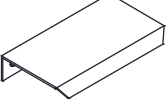
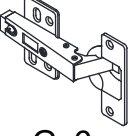
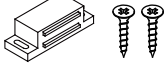




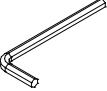
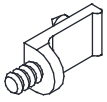

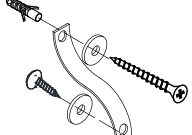
When fitting cam lock, ensure starting position is correct before you insert connecting quickfit.

Quickfit head should be in the centre of the cam lock when the two panels are joined. Cam lock should be inserted before quickfit.

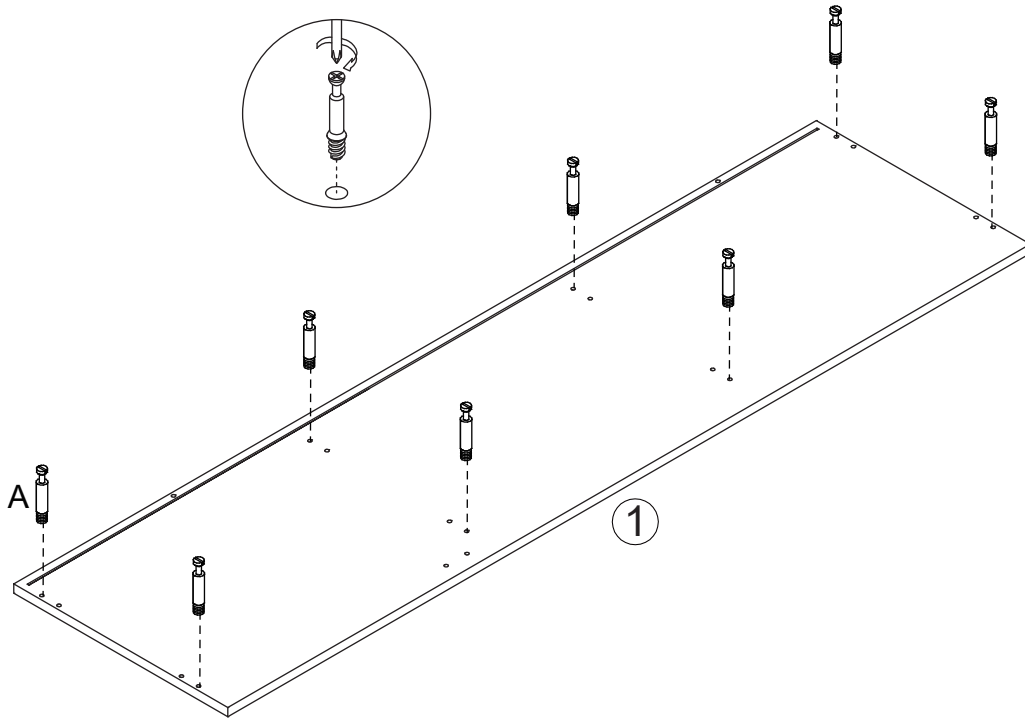


Turn cam lock clockwise to tighten.



 ① x1	 ② x1	 ③ x1	 ④ x1	 ⑤ x1	 ⑥ x2
 ⑦ x1	 ⑧ x2	 ⑨ x1	 ⑩ x1	 ⑪ x1	 ⑫ x2
 ⑬ x2	 ⑭ x2	 ⑮ x2			
 Ax8	 Bx8	 Cx16	 Dx42	 Ex8	 Fx3
 Gx6	 Hx1	 (Ø6x12mm) Ix4	 (Ø6x30mm) Jx6	 (Ø6x35mm) Kx4	 (Ø6x50mm) Lx4
 Mx1	 Nx12	 Ox12	 Px2		

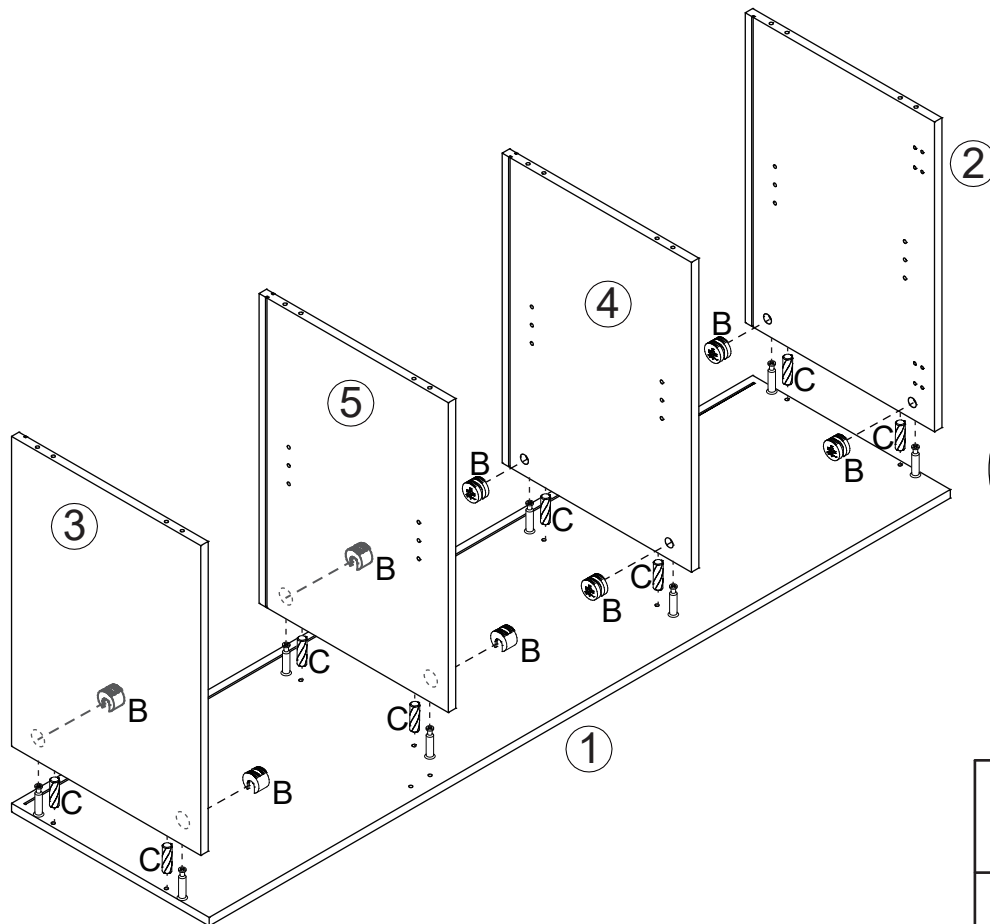
# Step 1



8xA



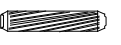
# Step 2



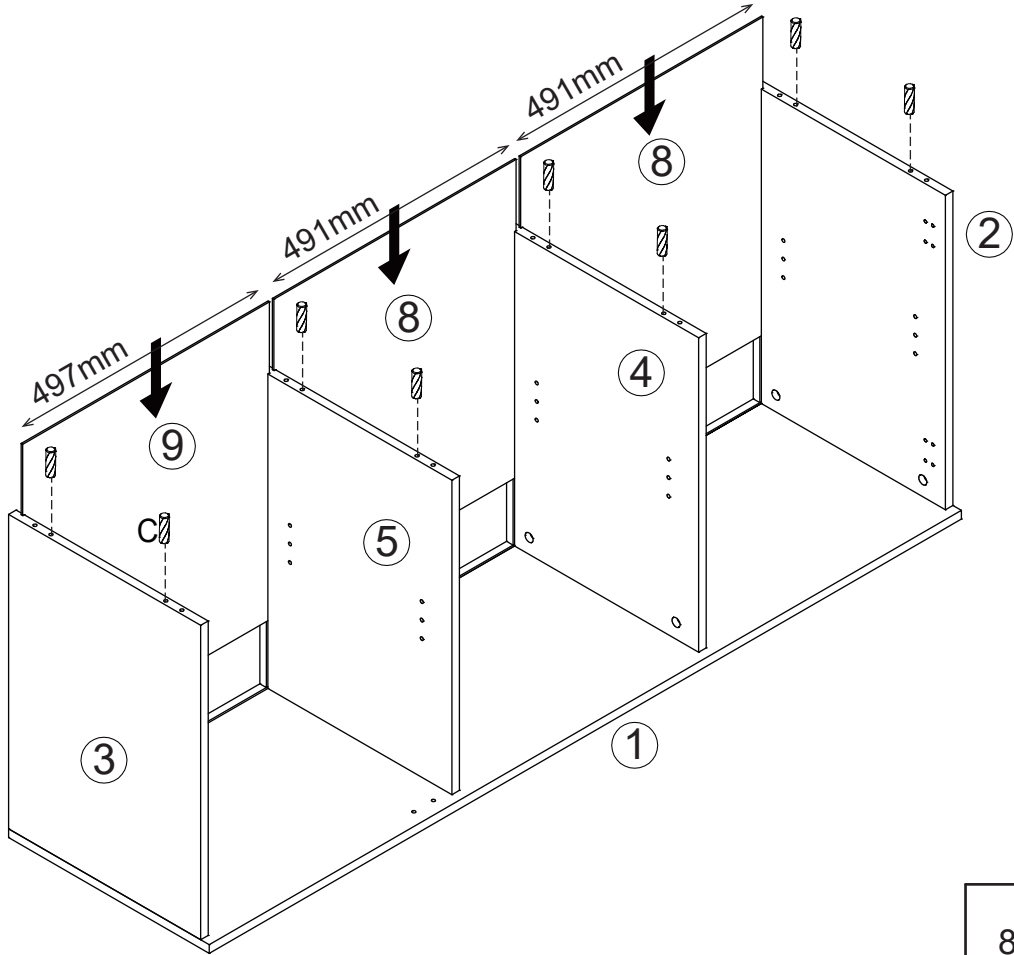
8xB



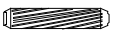
8xC



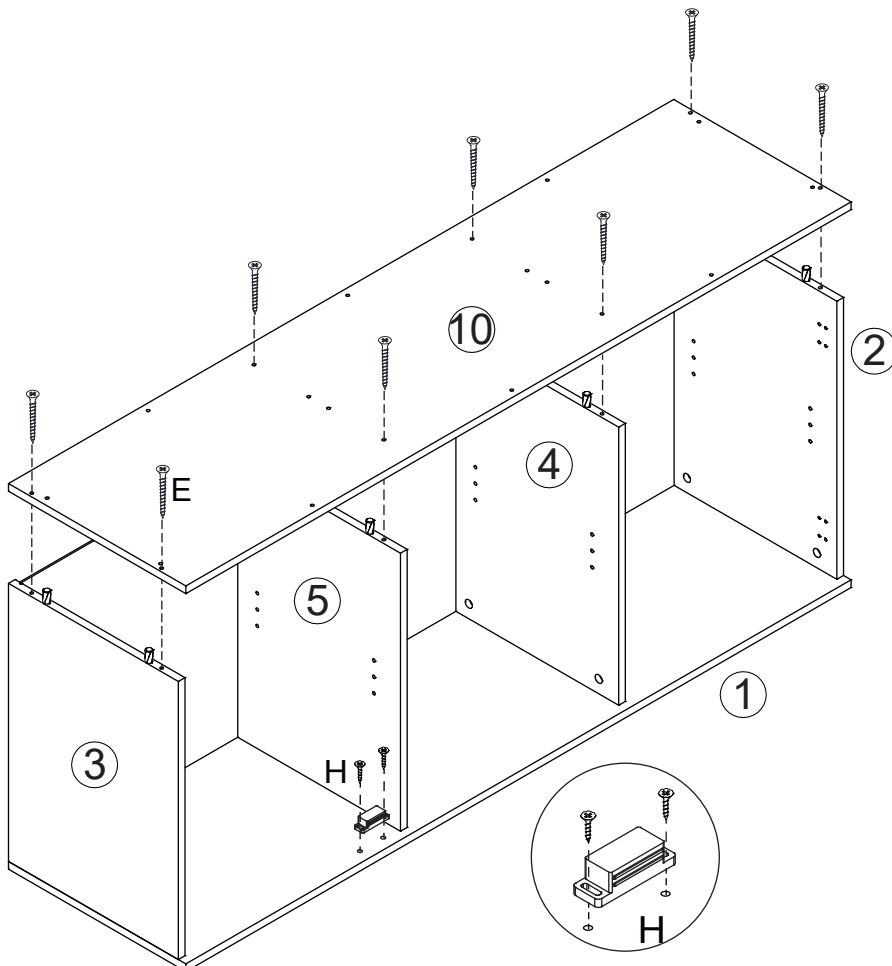
# Step 3



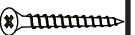
8xC



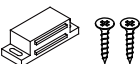
# Step 4



8xE

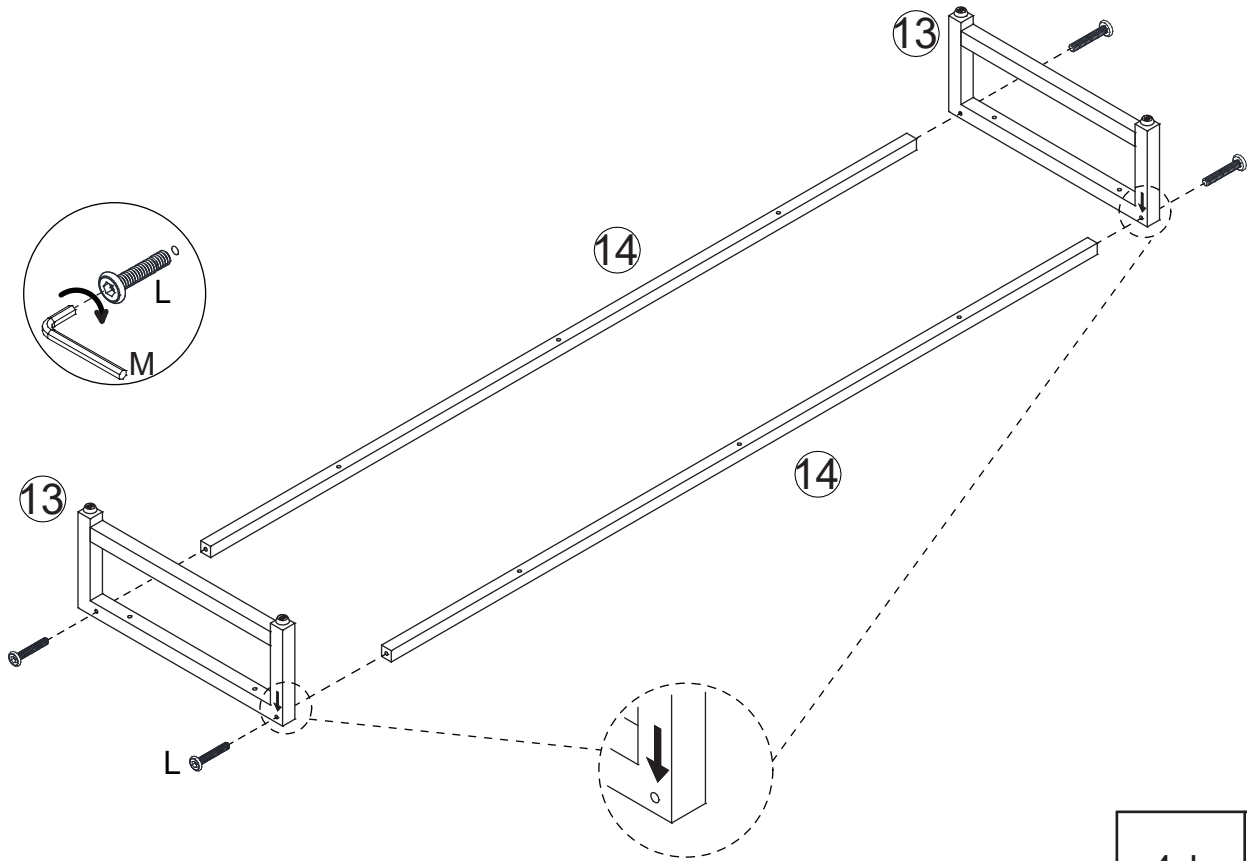



1xH



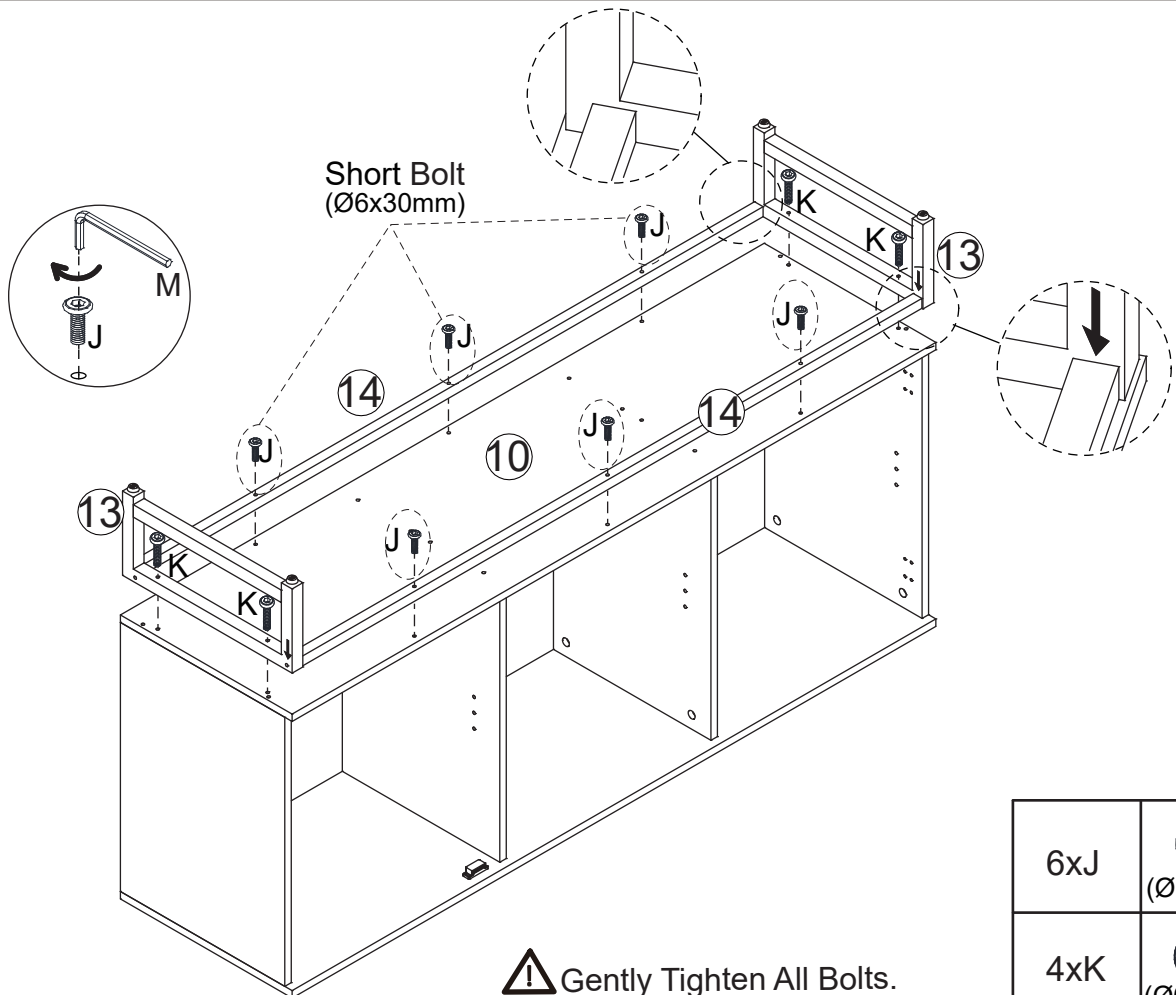
# Step 5


 Do not tighten ANY bolts until entire unit is set up!




4xL	 (Ø6x50mm)
-----	--

# Step 6



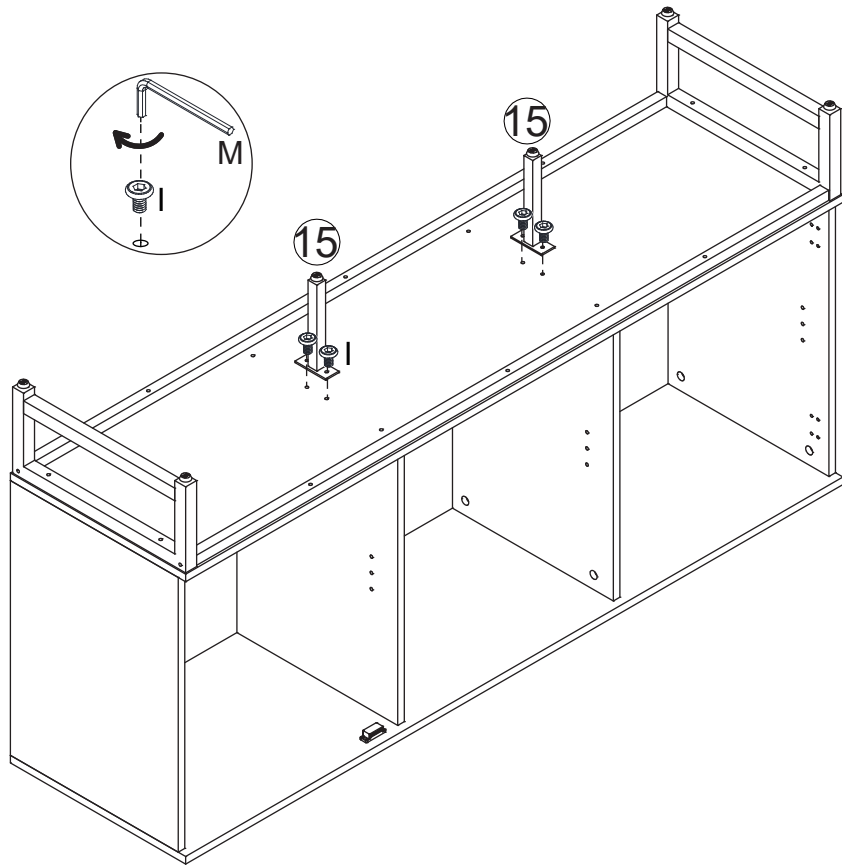
6xJ	 (Ø6x30mm)
-----	--

4xK	 (Ø6x35mm)
-----	--

 Gently Tighten All Bolts.



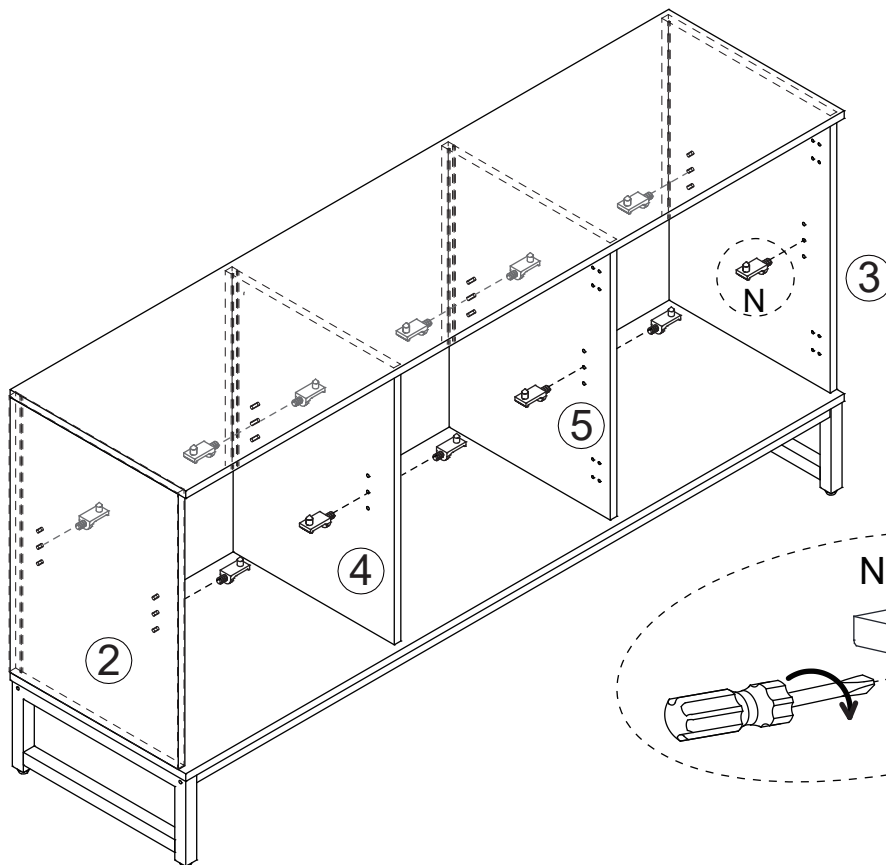
# Step 7



4xI



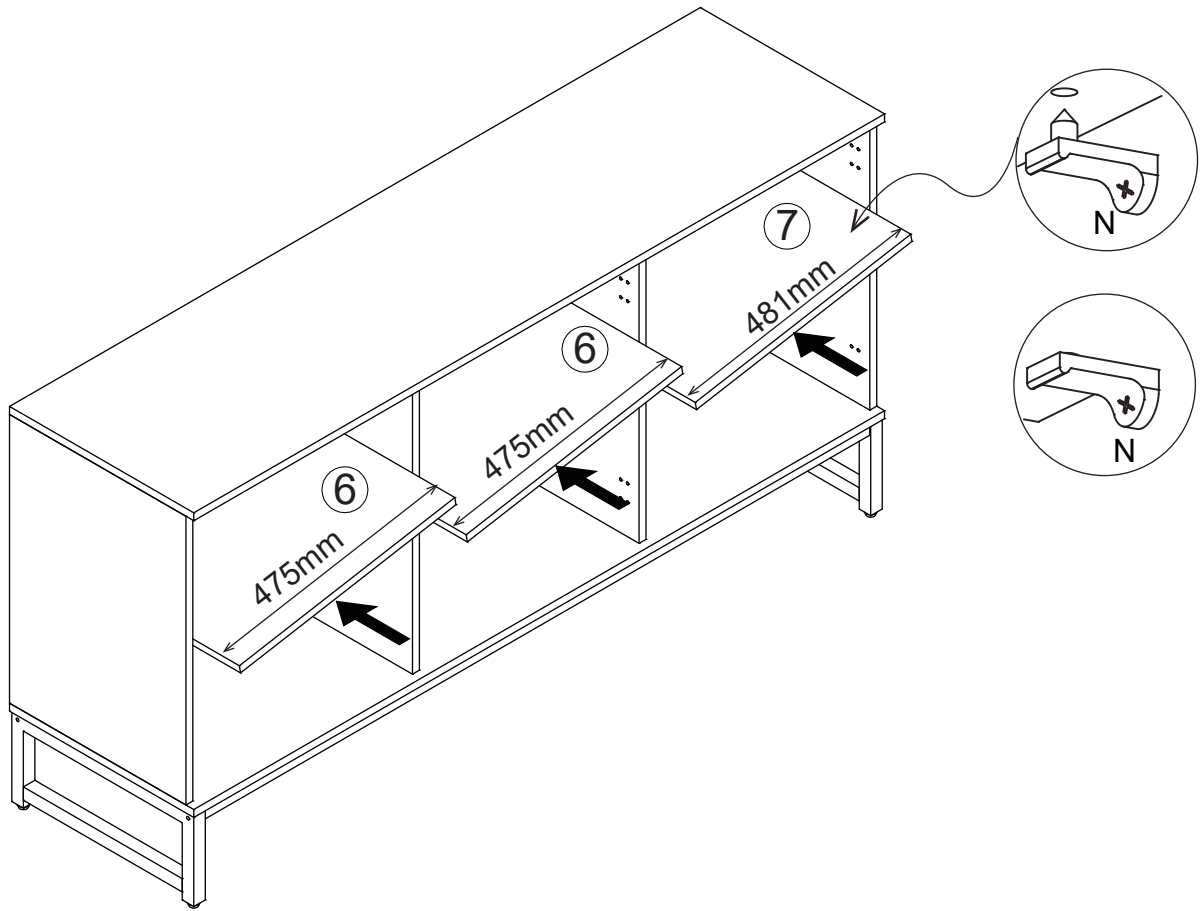
# Step 8



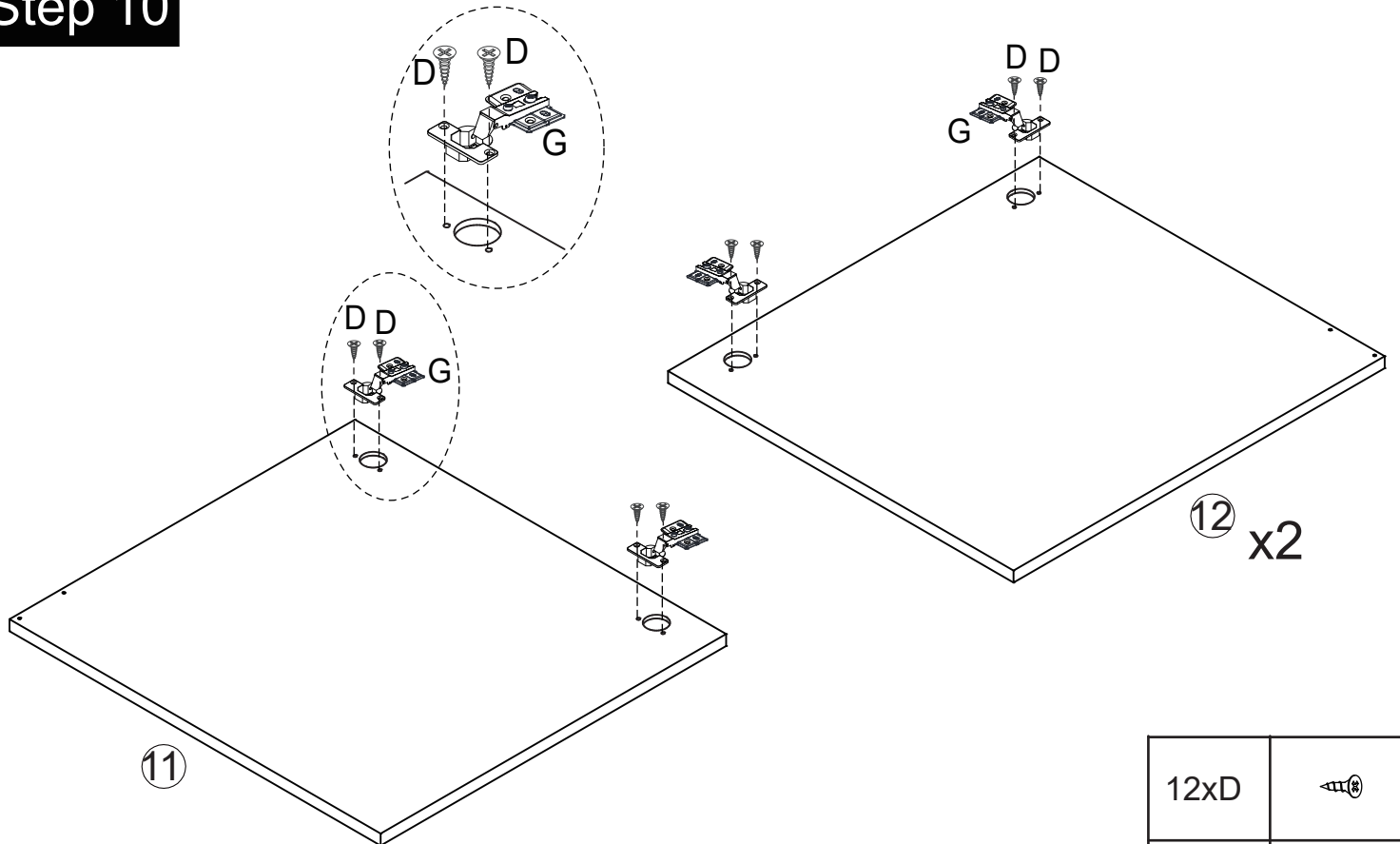
12xN



# Step 9

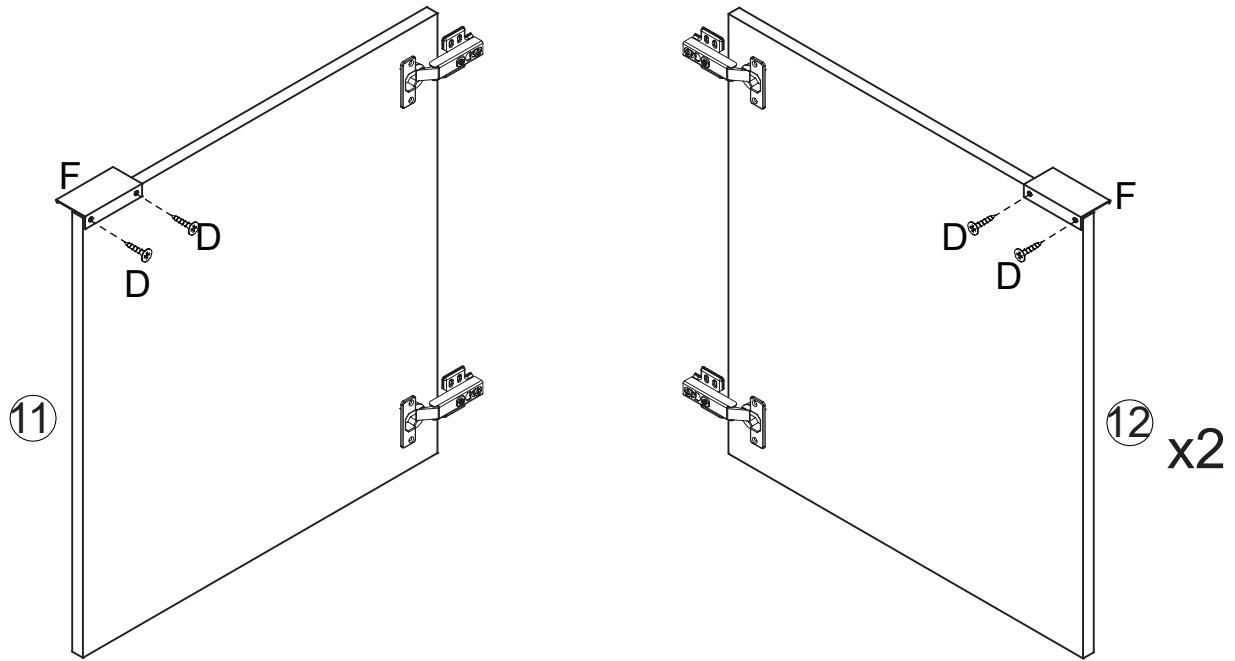


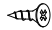

# Step 10



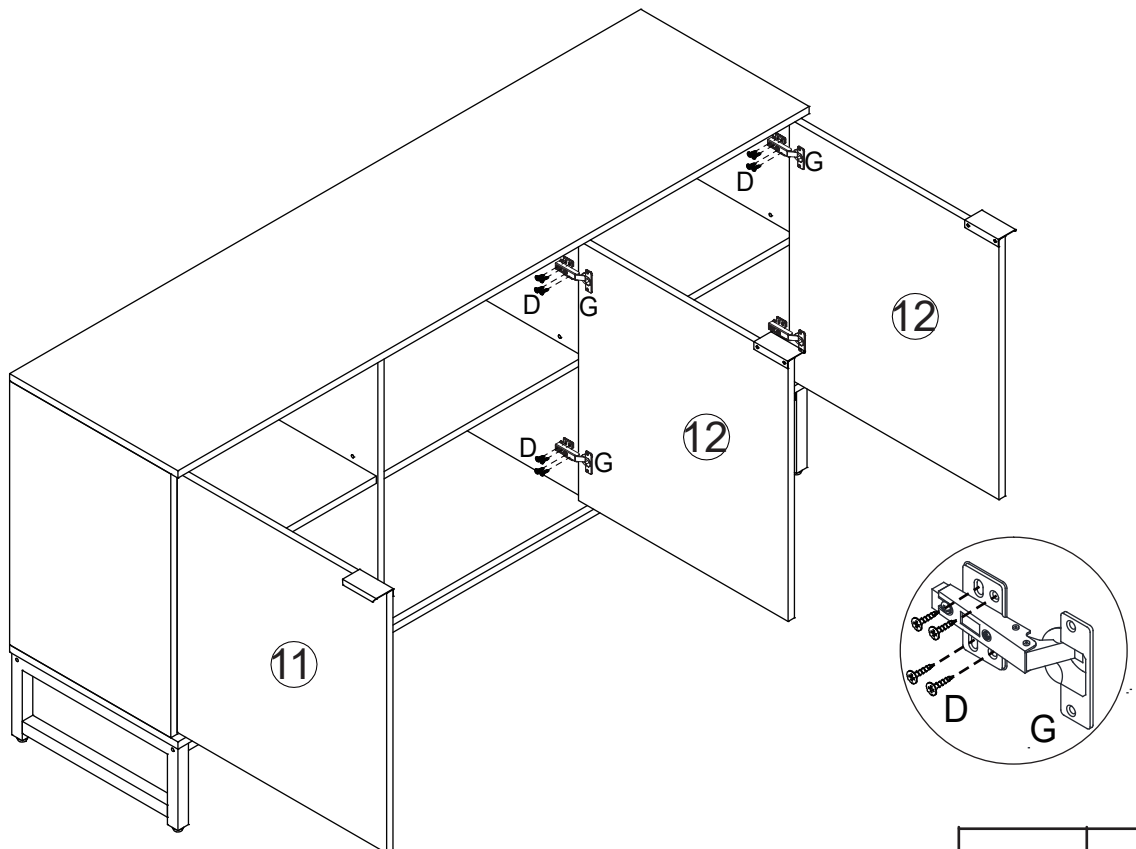
12xD	
6xG	

# Step 11



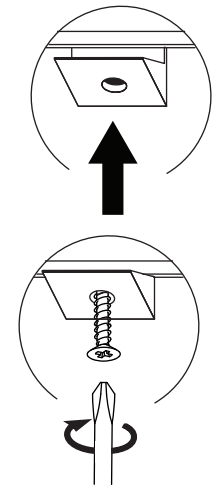
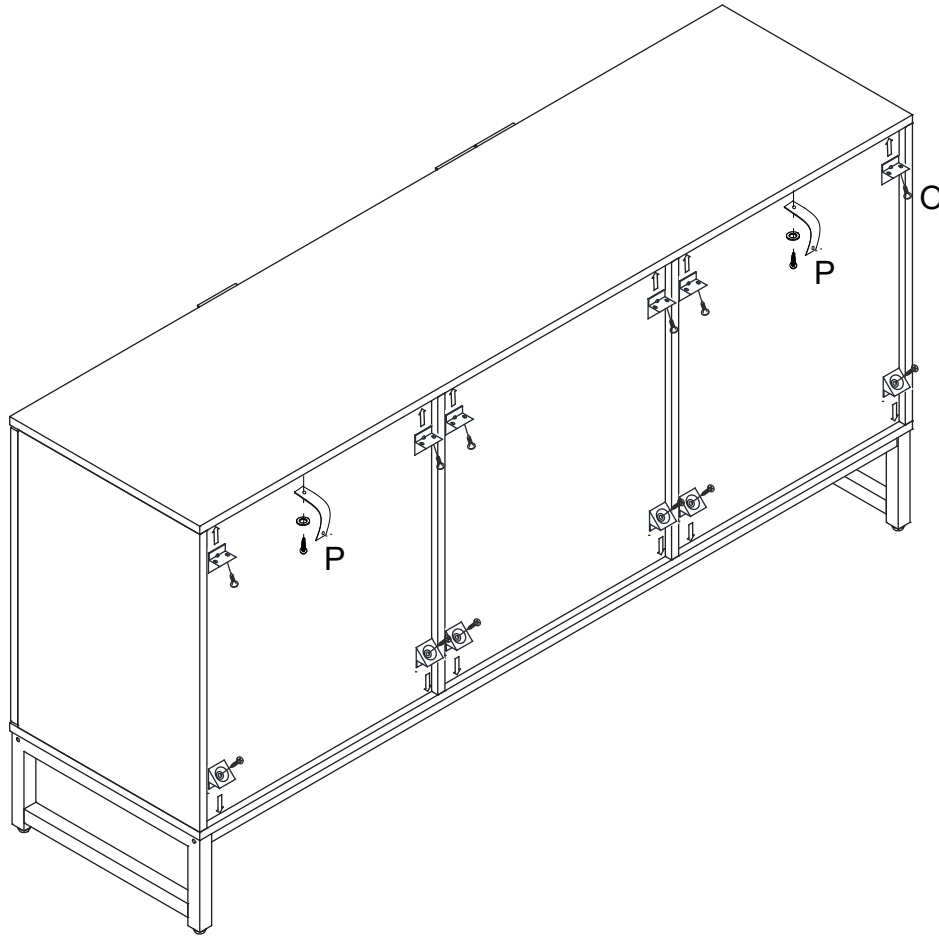
6xD	
3xF	

# Step 12



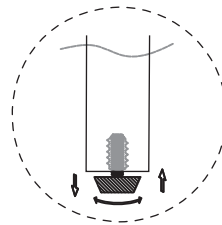
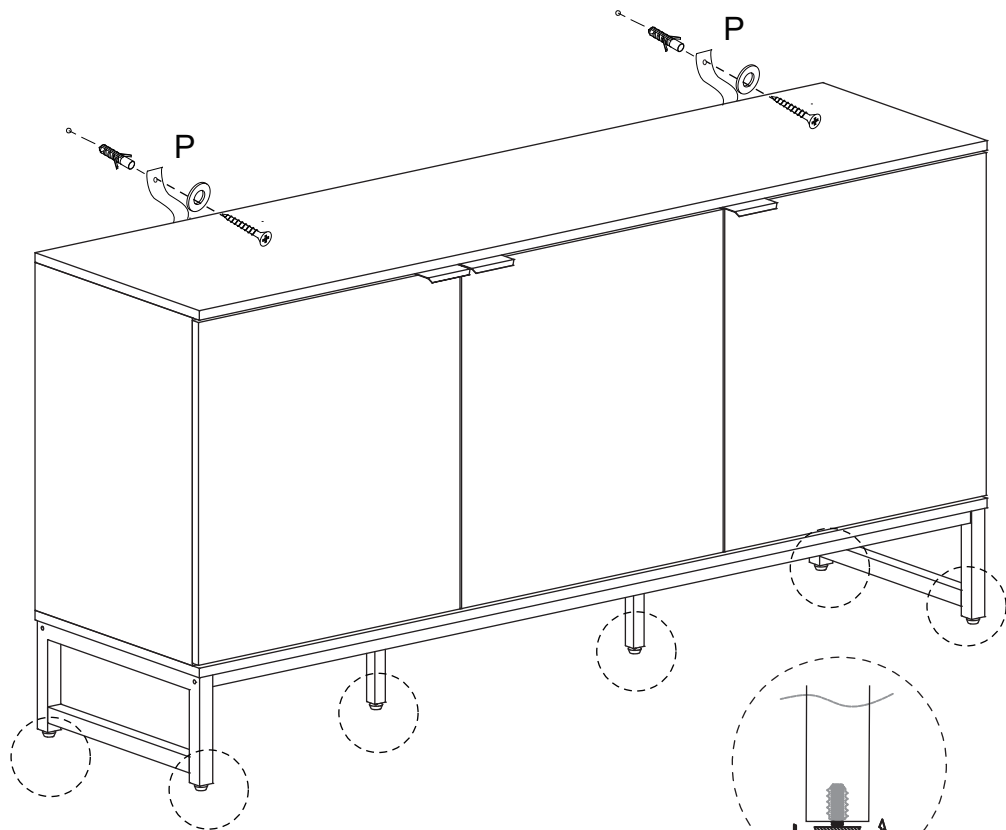
24xD	
------	---

# Step 13



12xO	
2xP	

# Step 14



2xP	
-----	--

## Tips & Tricks

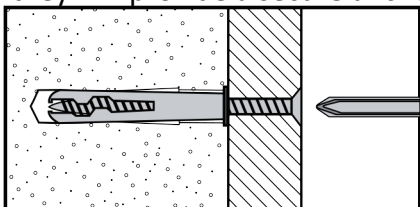
**Make sure that the hardware used is suitable for supporting your unit.**

**Please consult a qualified tradesperson if unsure.**

- ☑ If you are unsure, please select a larger screw and wall plug.
- ☑ Ensure that you use the recommended drill bit to match the wall plug and hole size.
- ☑ Take extra care when drilling high walls, ceiling and ceramic tiles. Ensure wall plugs are inserted beyond the thickness of the ceramic tiles to avoid splitting or cracking.
- ☑ Ensure that wall plugs are well fitted and are a tight fit in the drilled hole.

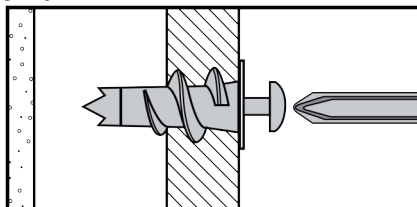
## Types Of Walls

Use one of the following types of wall plug (not included) if your walls are made of brick, breeze block, concrete, stone or wood. Screws may be able to be fixed directly to solid wood walls as they will provide a secure anchor point.



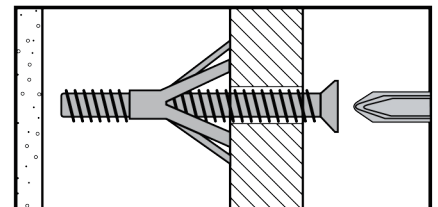
### 1. General Purpose Wall Plug

Generally, aerated blocks should not be used to support heavy loads, use a specialist fitting in this case. For light loads, general purpose wall plugs can be used.



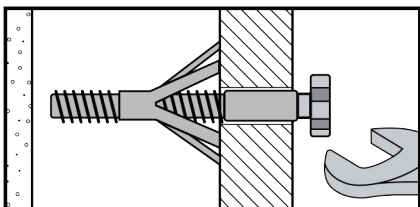
### 2. Plasterboard Wall Plug

For use when attaching light loads onto plasterboard partitions.



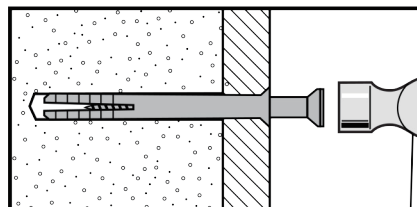
### 3. Cavity Fixing Wall Plug

For use with plasterboard partitions or hollow wooden doors.



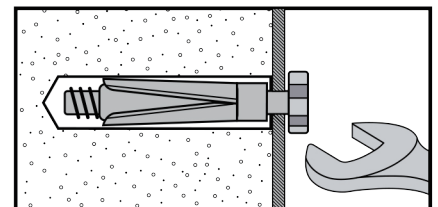
### 4. Cavity Fixing Heavy Duty Wall Plug

For use when fitting or supporting heavy loads such as shelving and wall cabinets.



### 5. Hammer Fixing Wall Plug

For use with concrete block or brick walls, or walls stuck with plasterboard. The hammer fixing allows it to be fixed to the wall rather than the plasterboard. Always check the fixing is secure to the retaining wall.



### 6. Shield Anchor Wall Plug Heavy Loads

For use with concrete or brick walls, or for use with heavier loads such as TV & HiFi speakers and satellite dishes, etc.