

Assembly Instruction/User Manual

Item Code: LU001 (Black)



Scan For Video Assembly Instruction



Two-person Assembly



PLEASE READ PRIOR TO INSTALLATION AND USE

Failure to comply with or observe all assembly, safety and operating instructions and warnings regarding the use of this product may result in serious bodily injury. When using an electrical furnishing, basic precautions should always be followed, read all instructions before using (this furnishing). **Huali Trading cannot be held liable for injury or damage caused by non-compliance with these instructions. Save these instructions and keep with the desk.**

This user manual contains important safety regulations. Any non-conforming use may result in personal injury or mechanical damage. Please read this user manual carefully before use as it provides key information about safety, use, assembly, and maintenance of the LUNA.

Close supervision by adults is necessary when the desk is used by, or near children, vulnerable or disabled persons. Use this desk only for its intended use as described in these instructions. Do not use attachments not recommended by the manufacturer. The LUNA is designed for indoor use and dry work areas only. Do not use outdoors. Do not operate in environments with high heat, high humidity, high salinity, or pollutant gases.



WARNING: To reduce the risk of electric shock, always unplug the desk from the electrical outlet before cleaning. To disconnect, remove the plug from the wall outlet. The LUNA is only to be used with the power supply provided.



WARNING: Only plug the desk into a properly grounded 120-240V outlet. Unplug the desk from the electrical outlet before moving the desk or before adding/removing parts or accessories.



WARNING: Keep heated surfaces away from plug. Never use a desk with a damaged cord or plug. Risk of electric shock. For replacement, please get in touch with the authorized retailer this desk was purchased from or email us: services@hualitrading.com.au



WARNING: In case of spilled liquids, immediately unplug desk. Then clean the spill with a dry cloth. The risk of desk failure or electric shock if desk electrical components become wet.



WARNING: Keep fingers and all body parts clear of the moving desk. Check surroundings on all sides before using the desk to ensure there are no immobile obstacles within the desk's range of motion. Ensure all cords are the appropriate length so they do not pull as the desk moves.



PLEASE READ PRIOR TO INSTALLATION AND USE

The LUNA is to be assembled by at least two people. This product contains small items that could be a choking hazard if swallowed. Keep these items away from children and pets. Do not overtighten the screws during installation.



This desk is not intended for use by children without adult supervision. Ensure children do not play with the desk and its height adjustment mechanism.



Do not exceed the maximum load capacity of the LUNA (265lb/120kg, inclusive of the top).



Be mindful of your fingers and hands when closing the drawer.



Do not stand on the desk and do not use the desk as a climbing aid.



Do not sit on the desk.



Do not drag the desk across the floor. Do not wobble the desk forcefully on purpose.



Do not crawl or lie under the desk frame.

TOOLS



HARDWARE

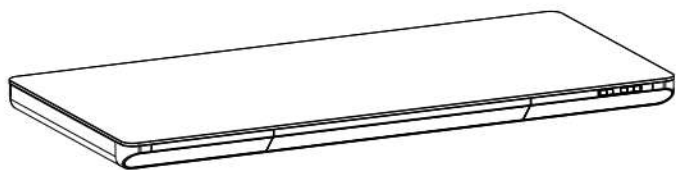


A(M8*18mm)x8+2(Spare)

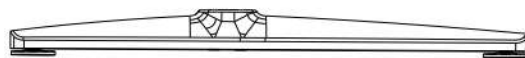


B(M6*15mm)x8+2(Spare)

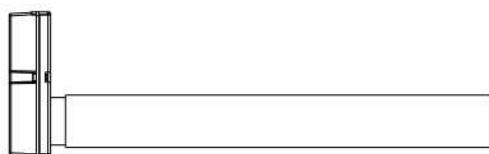
PARTS



① X 1



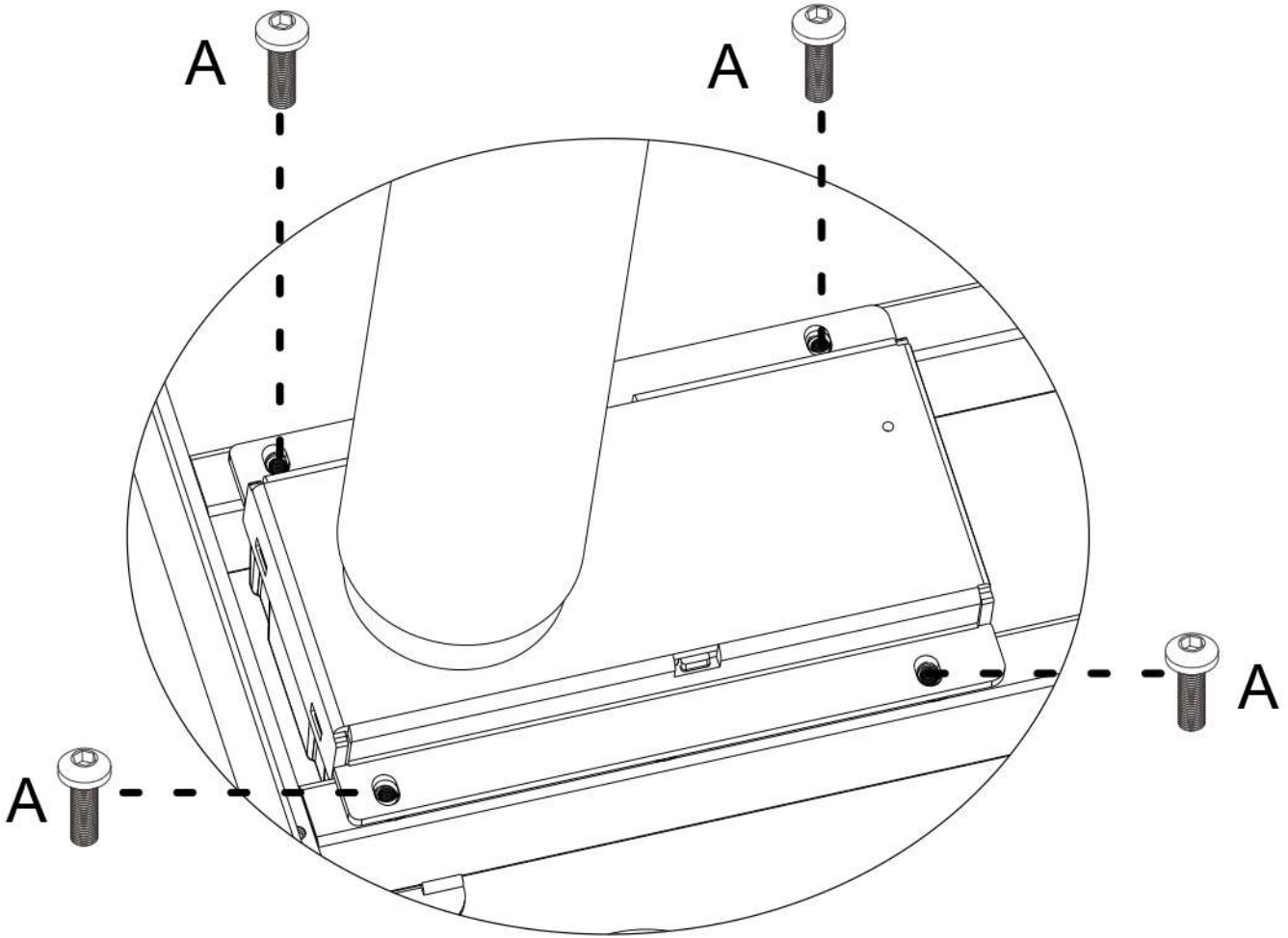
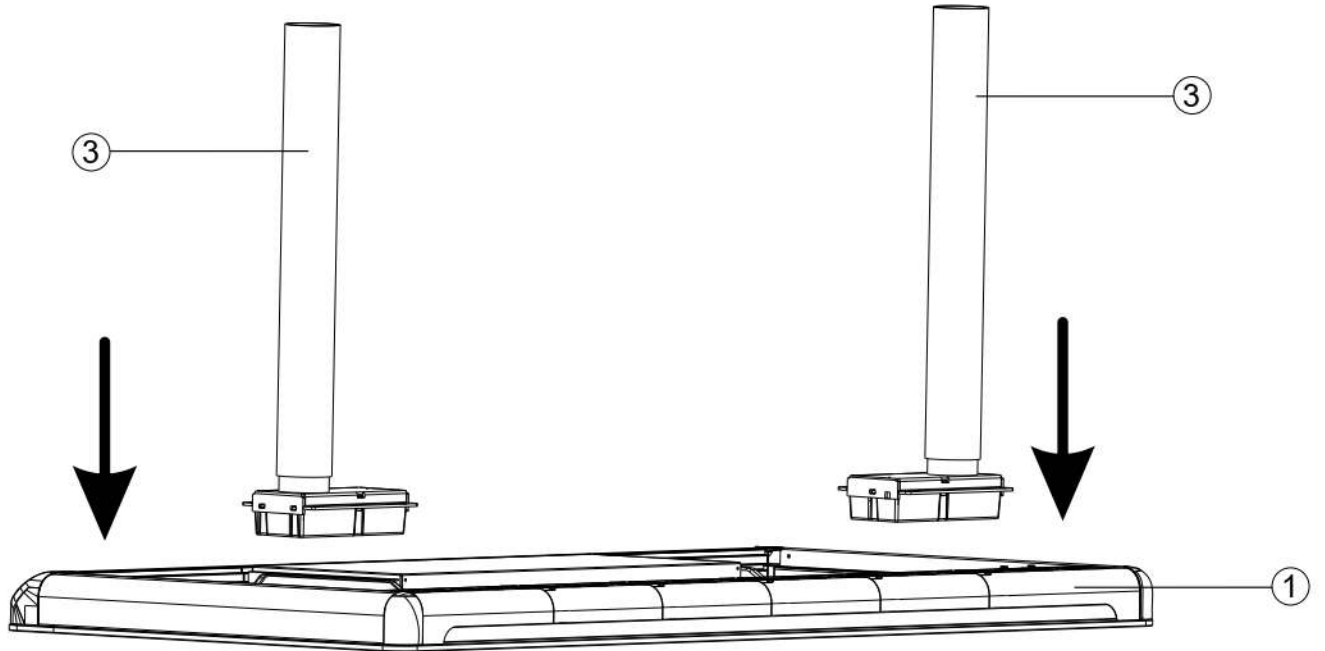
② X 2



③ X 2

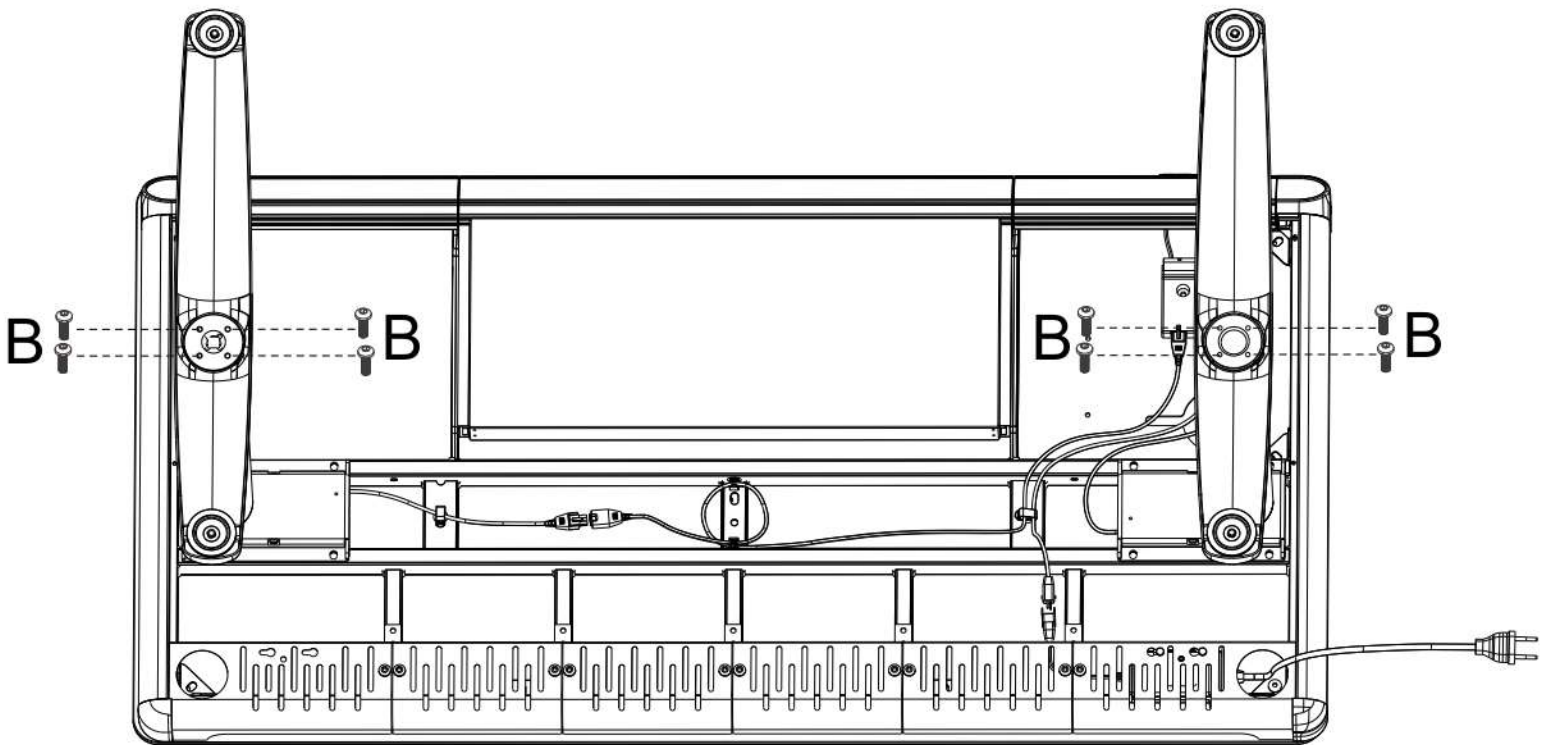
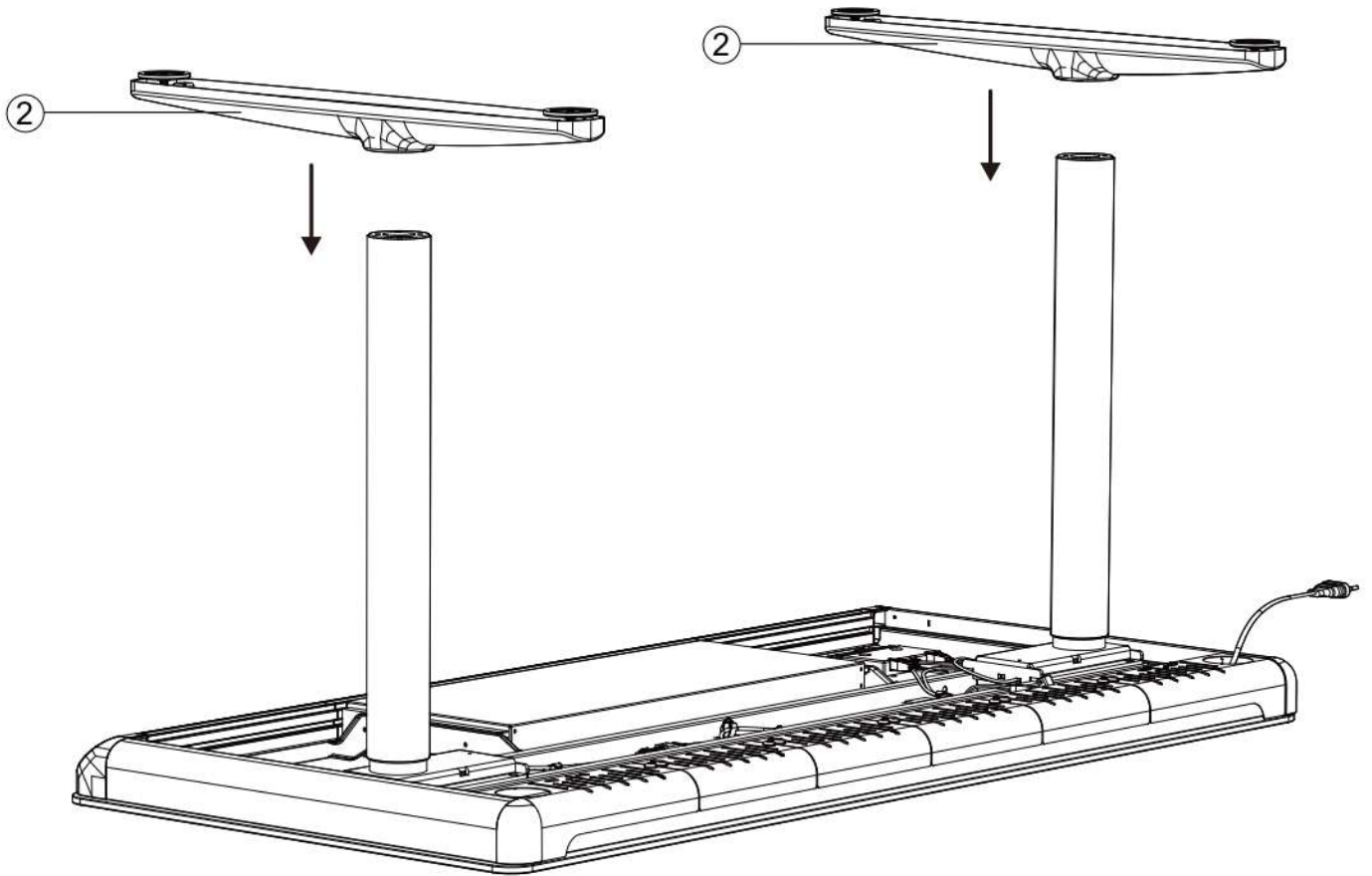
Assembly Instruction

1



Assembly Instruction

2

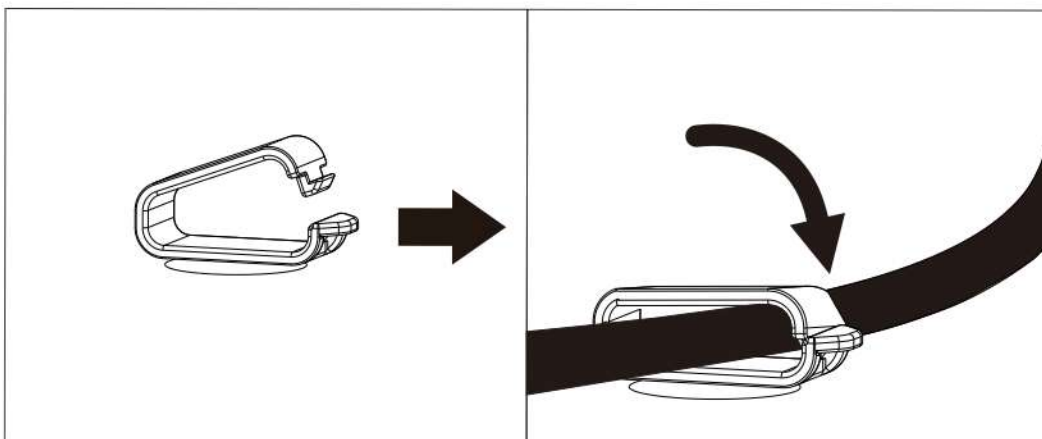
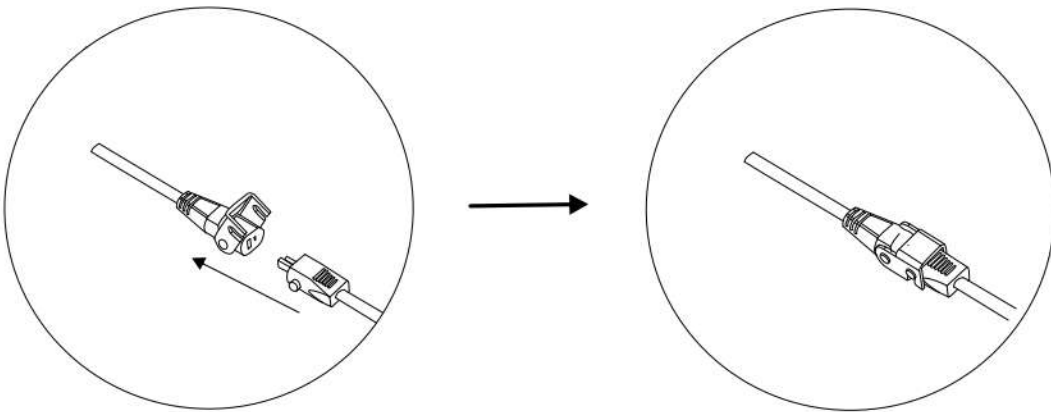
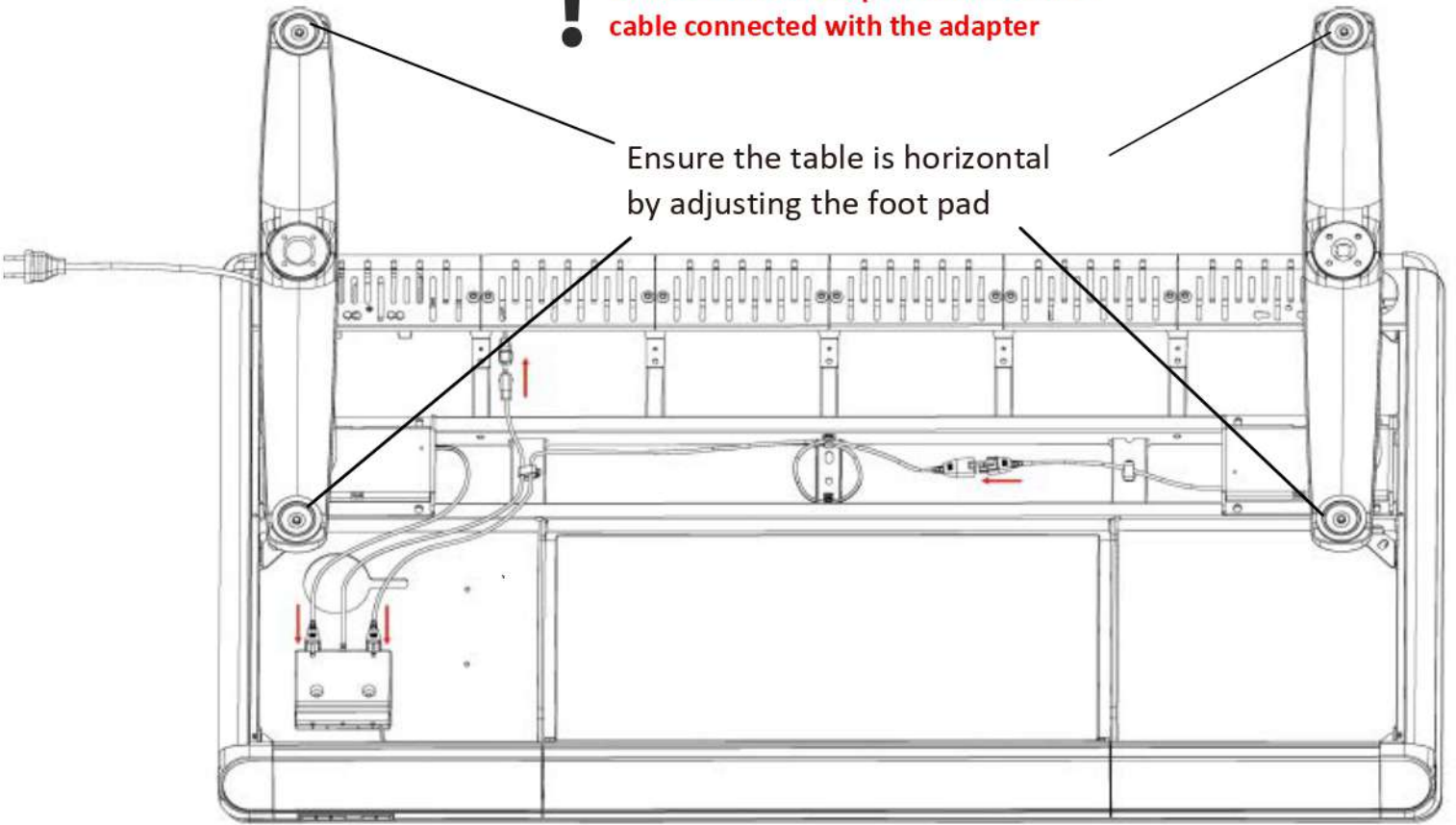


Assembly Instruction

3

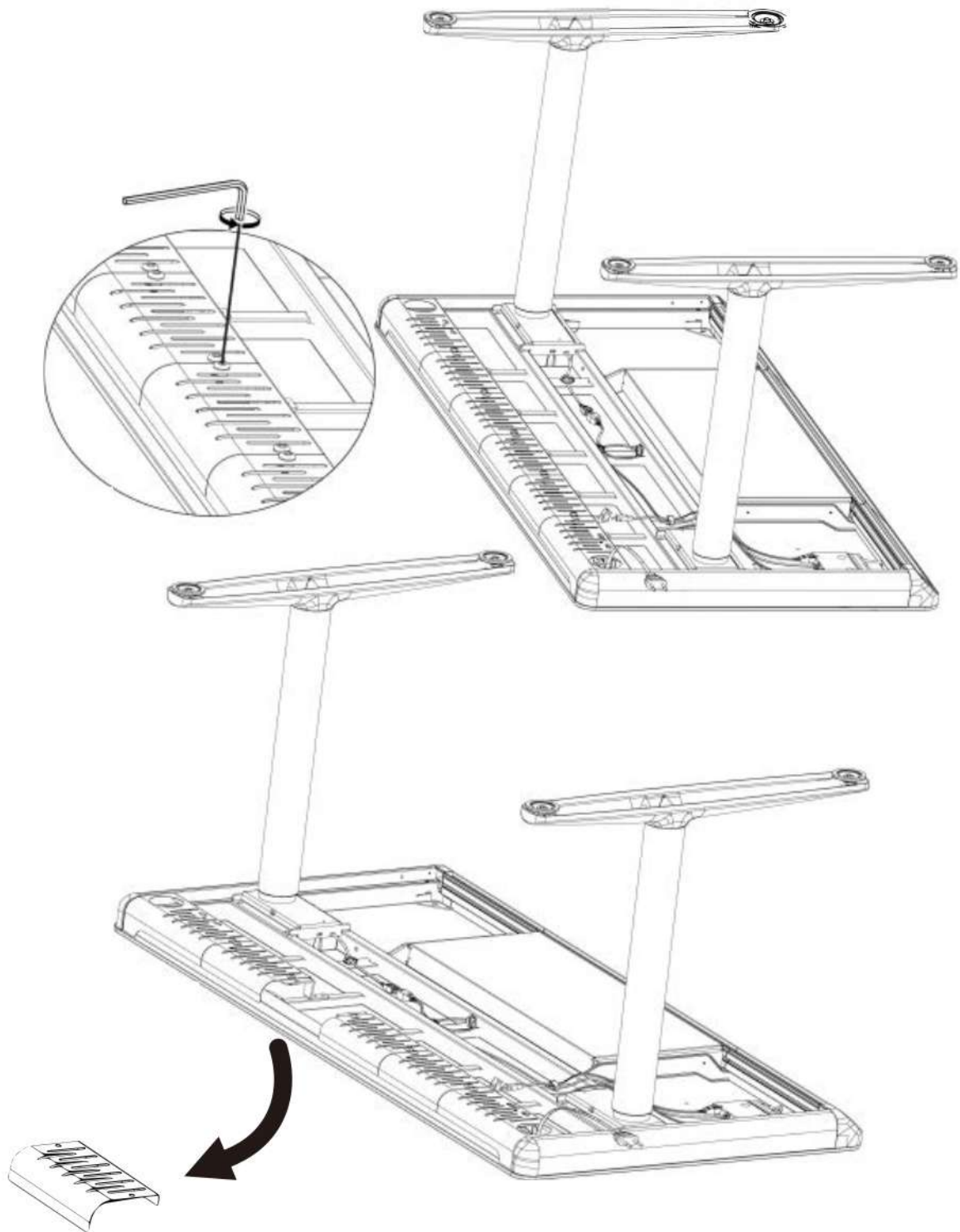
! Do not connect the power before the cable connected with the adapter

Ensure the table is horizontal by adjusting the foot pad

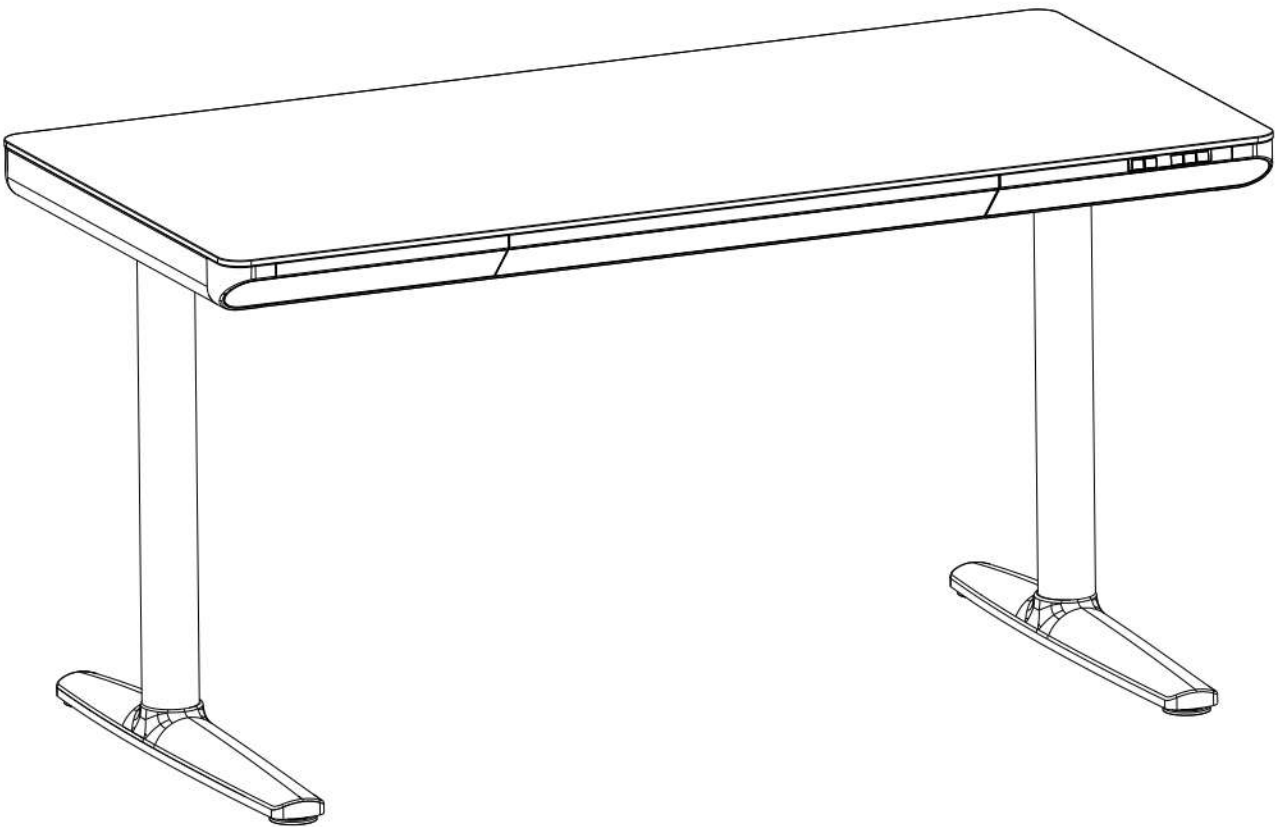


Assembly Instruction

4



The cable management can be opened in this way to put sockets and electric wires



**Maximum weight
capacity 120kg**

**Maximum drawer
weight capacity 11kg**