

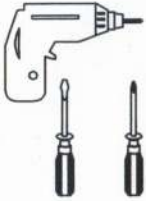
Assembly Instruction

MODEL NO. : AGR-421

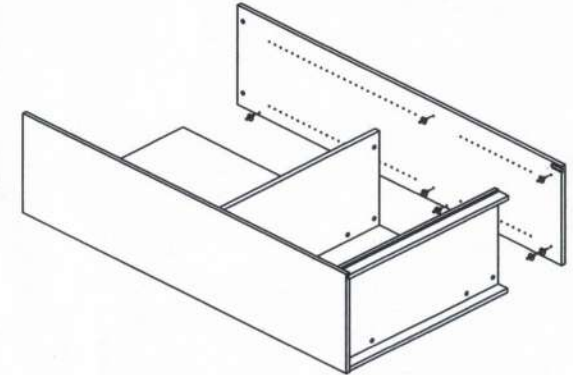
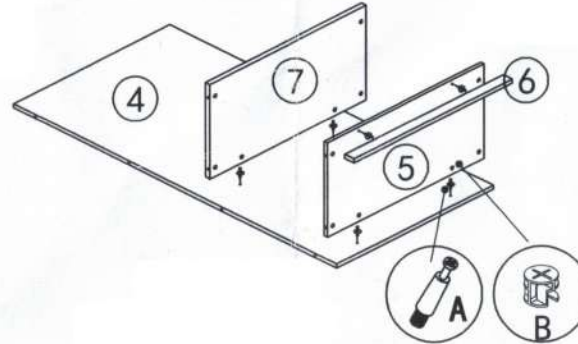
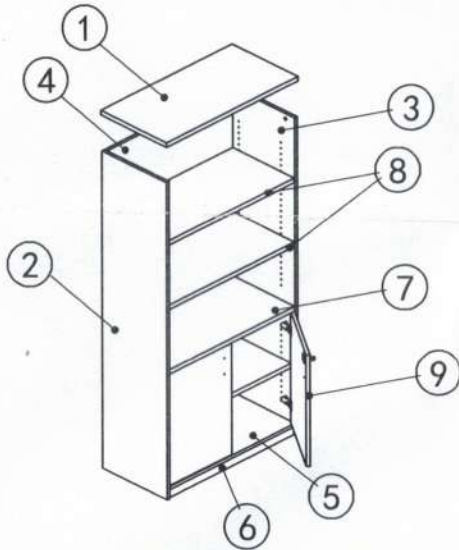
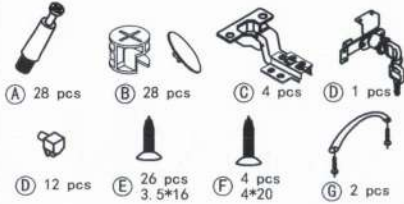
PRODUCT NAME: HALF DOOR STORAGE UNIT

SIZE: W900XD450XH1800

TOOLS



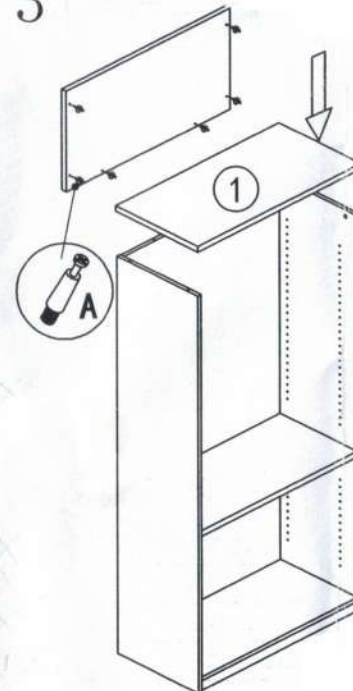
SUPPLIED



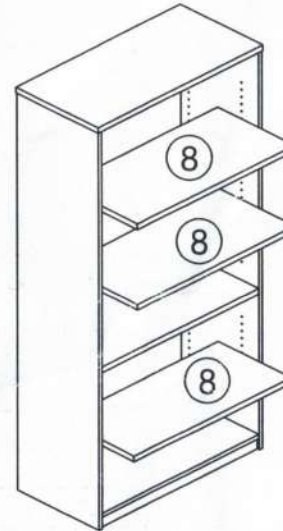
1

2

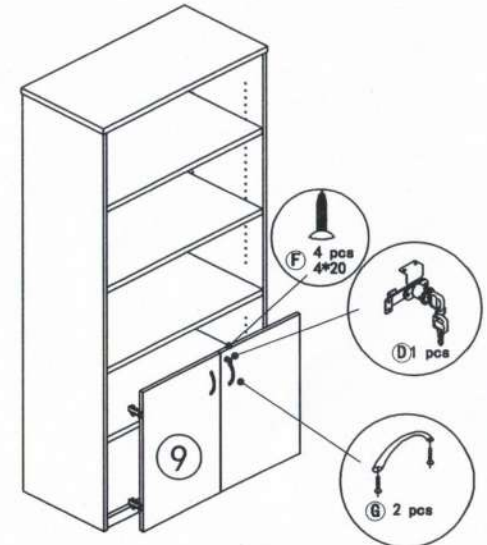
3



4



5



SERUES NO.	DESCRIPTION	Specification (W*D*H)	qty
①	Top Panel	900*450*25	1
②	SIDE PANEL (LEFT)	1775*444*25	1
③	SIDE PANEL (RIGHT)	1775*444*25	1
④	MODESTY PANEL	1775*844*18	1
⑤	BOTTOM PANEL	844*422*18	1
⑥	BOTTOM KICK PANEL	854*50*18	1
⑦	SHELF	844*422*25	1
⑧	MOVEABLE SHELF	843*420*25	3
⑨	DOOR	620*420*18	2