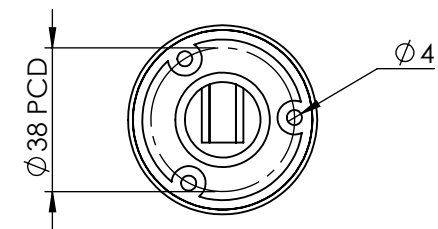
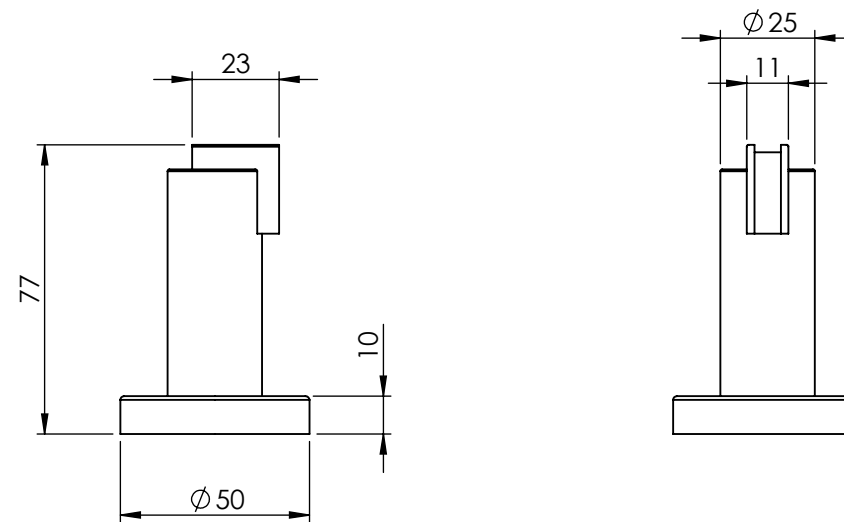


BUTTON DETAIL



ITEM NO.	PART NUMBER	DESCRIPTION	QTY.	DRAWN	B DOOLAN	28/11/2014	CAT NO:	REV: A
1	50026-1	DOOR STOP	1	CHK'D	U WAUGE	28/11/2014	50026	
2	50026-2	BUTTON	1	MATERIAL	ZINC ALLOY			
3	50026-3	COVER	2	FINISH	SATIN/CHROME		DESCRIPTION: MAGNETIC DOOR STOP-FLOOR MOUNTED TYPE	
4	SCS-3.5-25	SCREW-C/SUNK-3.5MMX25MM	3	WEIGHT				
5	SCS-3.5-35	SCREW-C/SUNK-3.5MMX30MM	3	 www.emro.com.au				
6	WP-6-30	WALL PLUG-6MMX30MM	3					

This drawing has been made with due care and attention however Emro do not accept any responsibility for variations. This drawing and information contained is the property of Emro and cannot be used without their consent.