

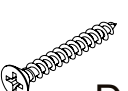
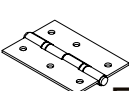
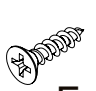







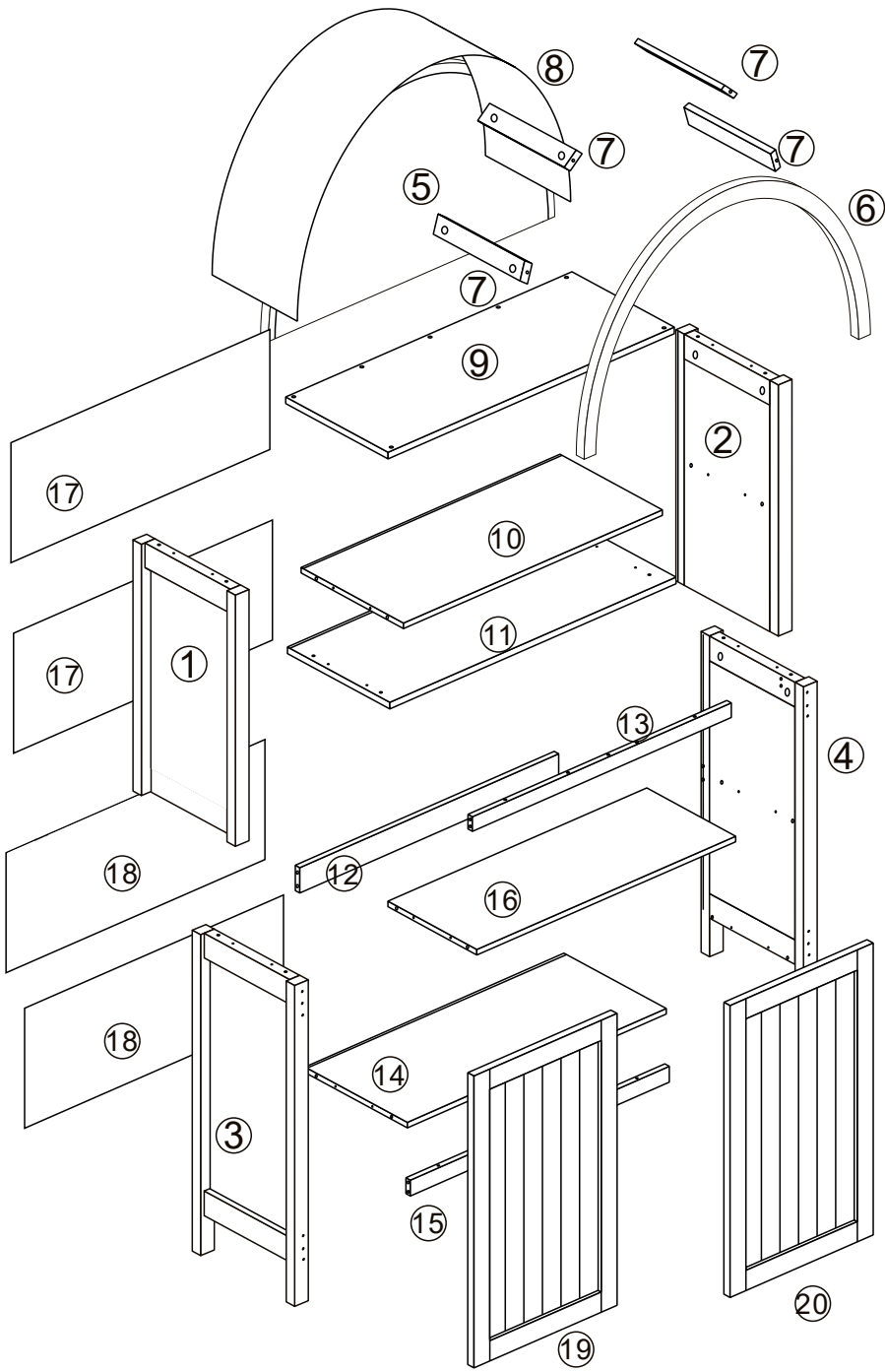
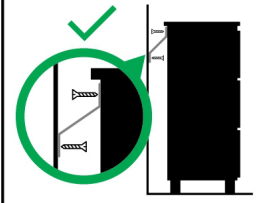
 Ax34	 Bx34	 Cx36	 Dx15	 Ex4	 Fx30	 Gx2
 Hx2	 Ix1	 Jx2	 Kx2	 Lx4	 Mx16	



⚠ WARNING



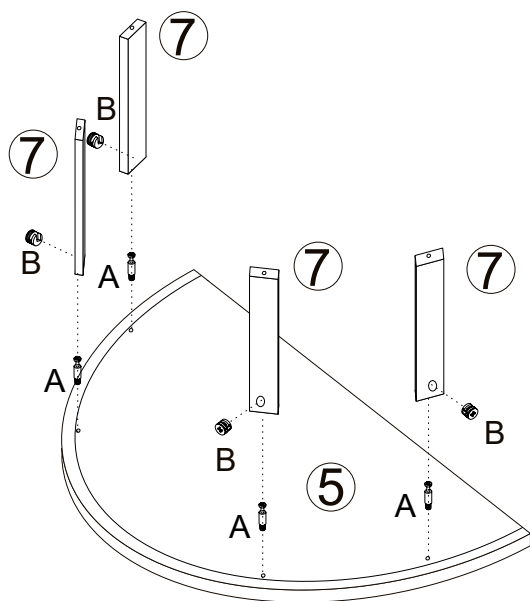
Children have died from furniture tipover.

- ALWAYS secure this furniture with an anchor device.
- NEVER allow children to stand, climb or hang on drawers, doors, or shelves.
- NEVER open more than one drawer at a time.
- Place heavy items down low.

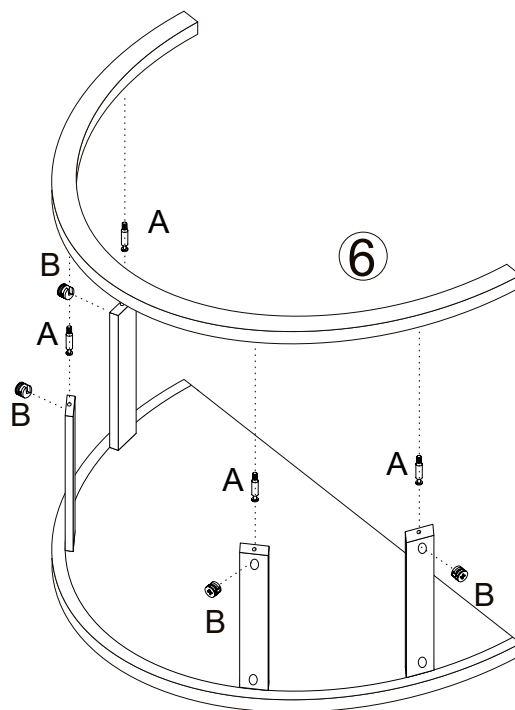
NEVER put a TV on this furniture



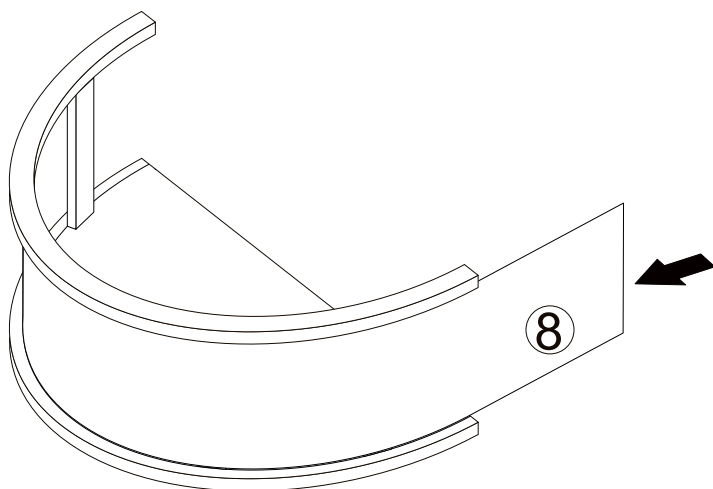
1 Placed the components in the position as shown in the figure, and then fix it with A, B screws.



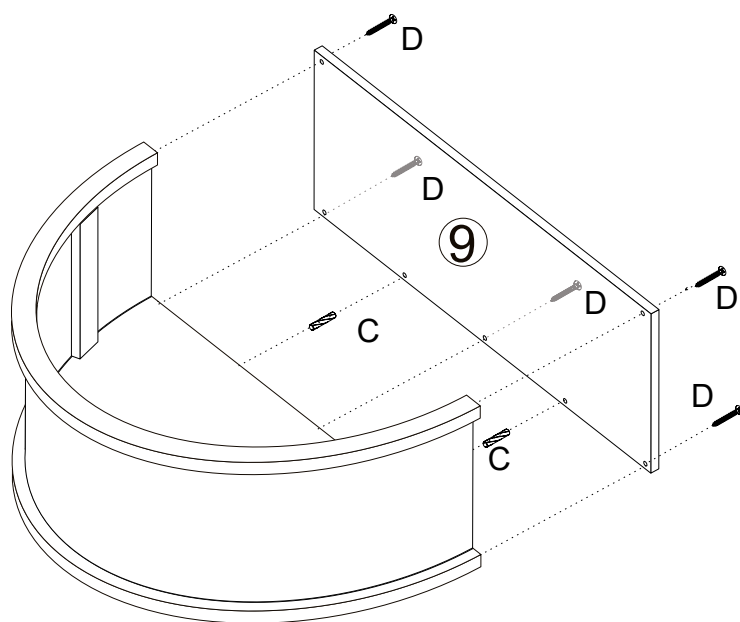
2 Placed the components in the position as shown in the figure, and then fix it with A, B screws.



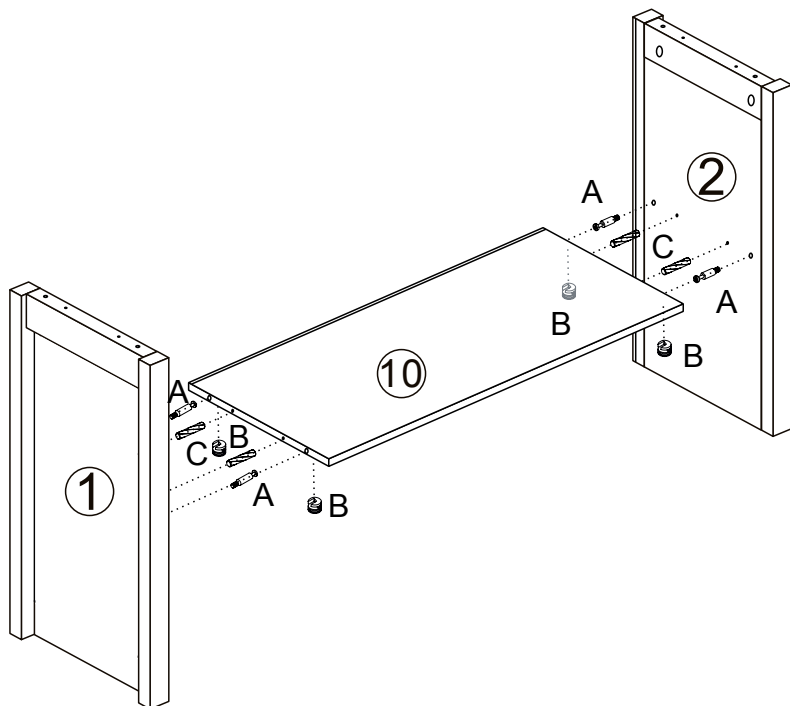
3 Insert parts 8 into the frame which completed in step 2.



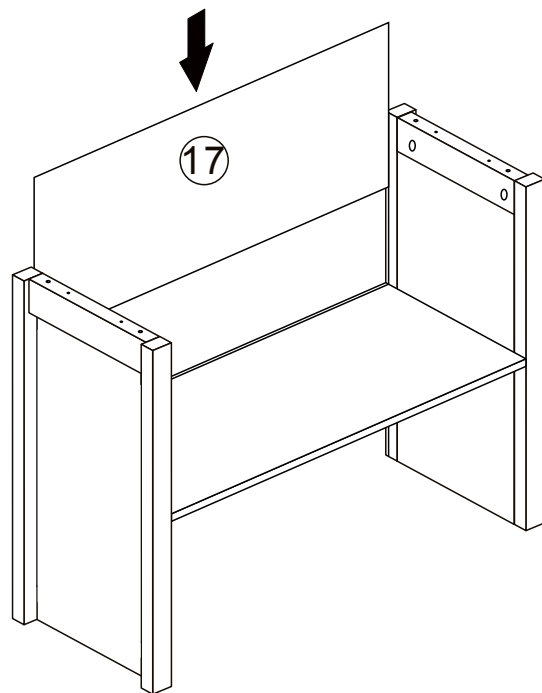
4 Secure the connection with C, D screws,



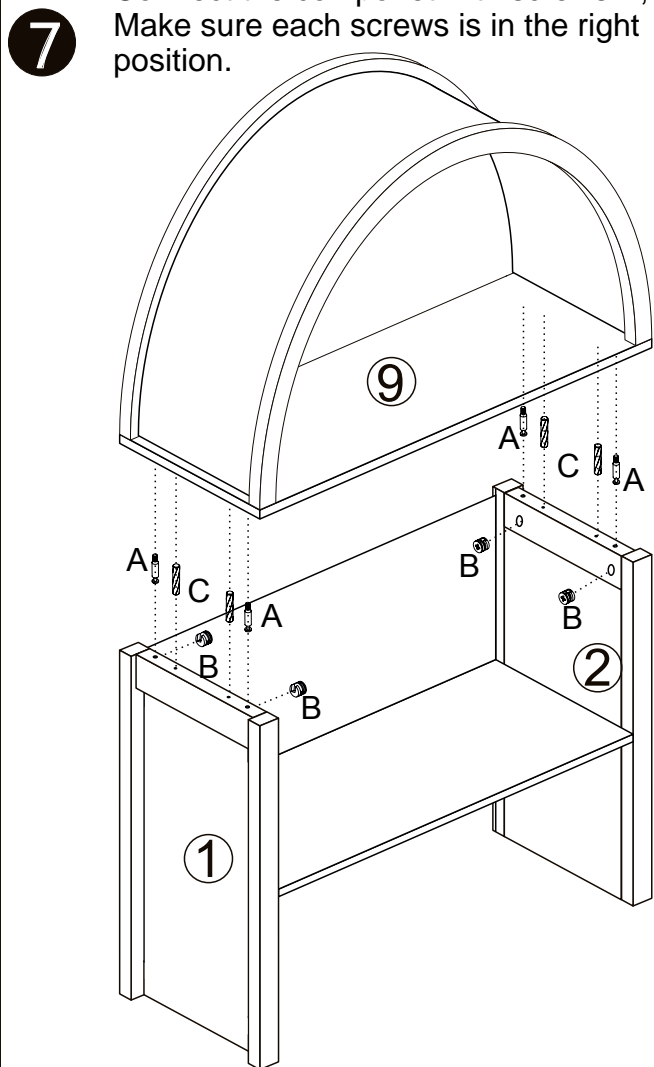
- 5** Placed the component A,C into the pre-drilled holes, then use B screws to fasten the connection.



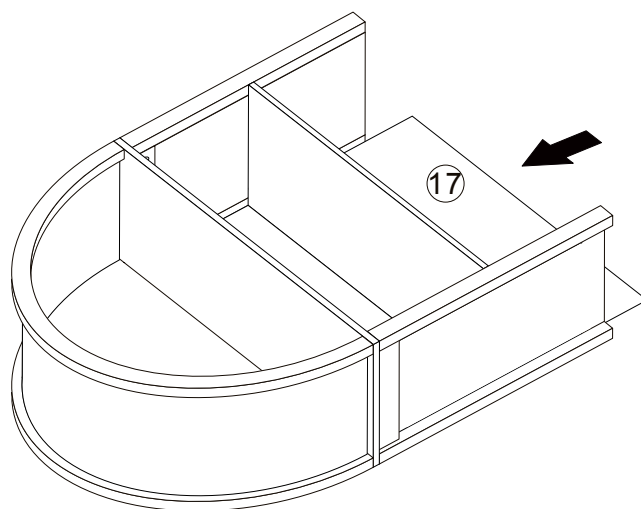
- 6** Embed part 17 into the frame which completed in step 5.



- Connect the componet with screws A,B,C. Make sure each screws is in the right position.

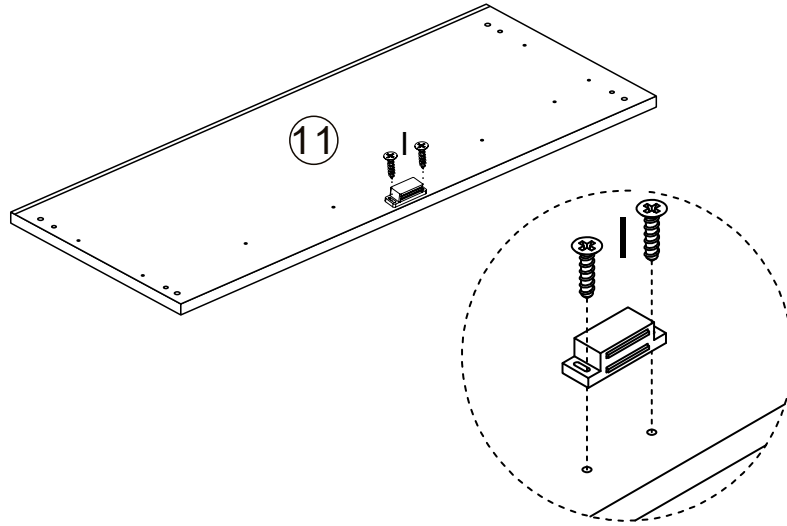


- 8** Embed part 17 into the frame which completed in step 7.



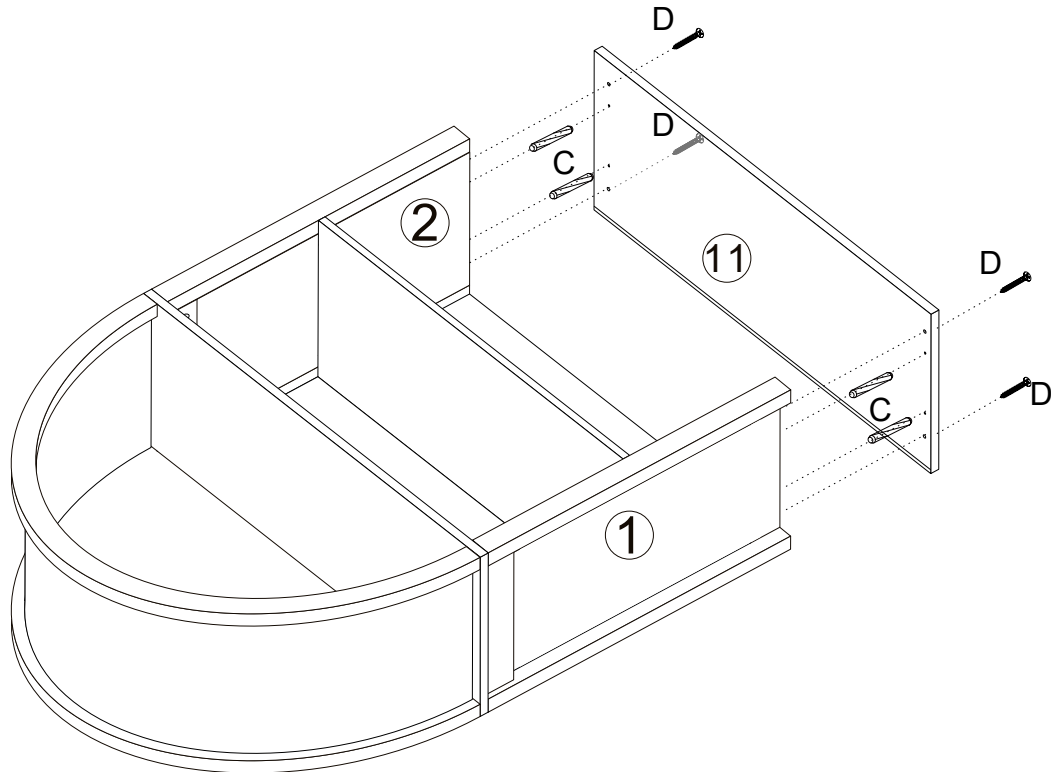
9

Fix with I screws.



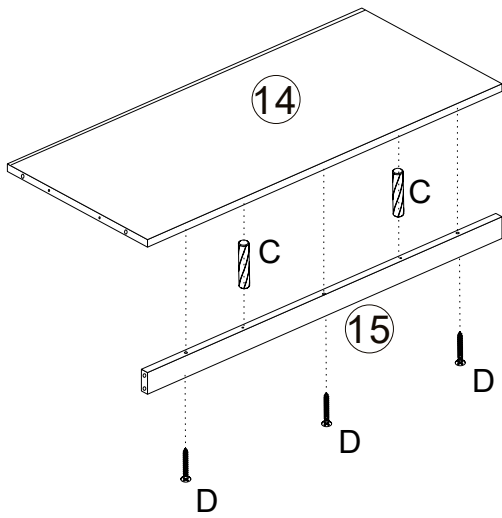
10

Placed the component C into the pre-drilled holes, then use D screws to fasten the connection.



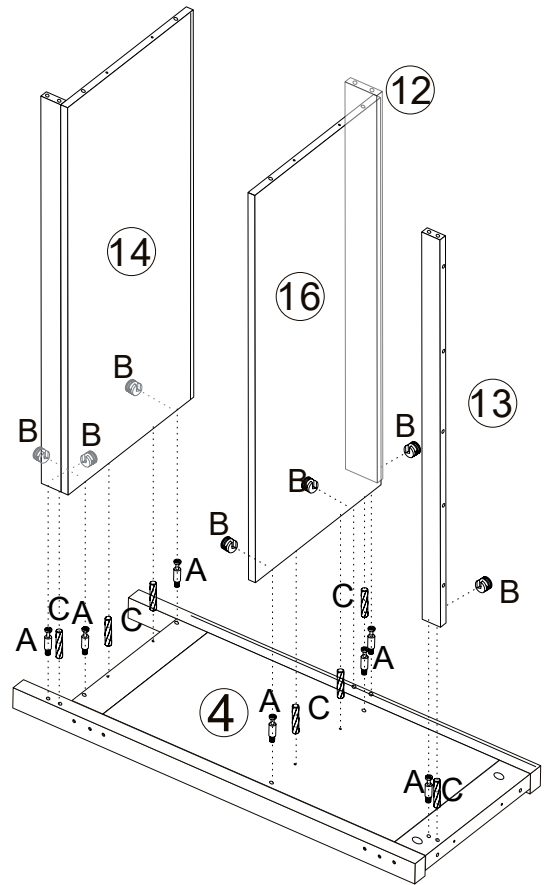
11

Placed the component C into the pre-drilled holes, then use D screws to fasten the connection.



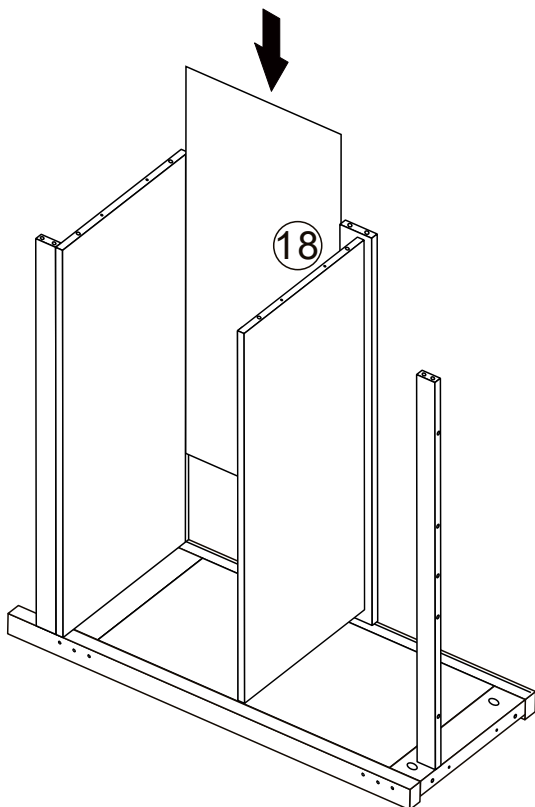
12

Placed the component A,C into the pre-drilled holes, then use B screws to fasten the connection.



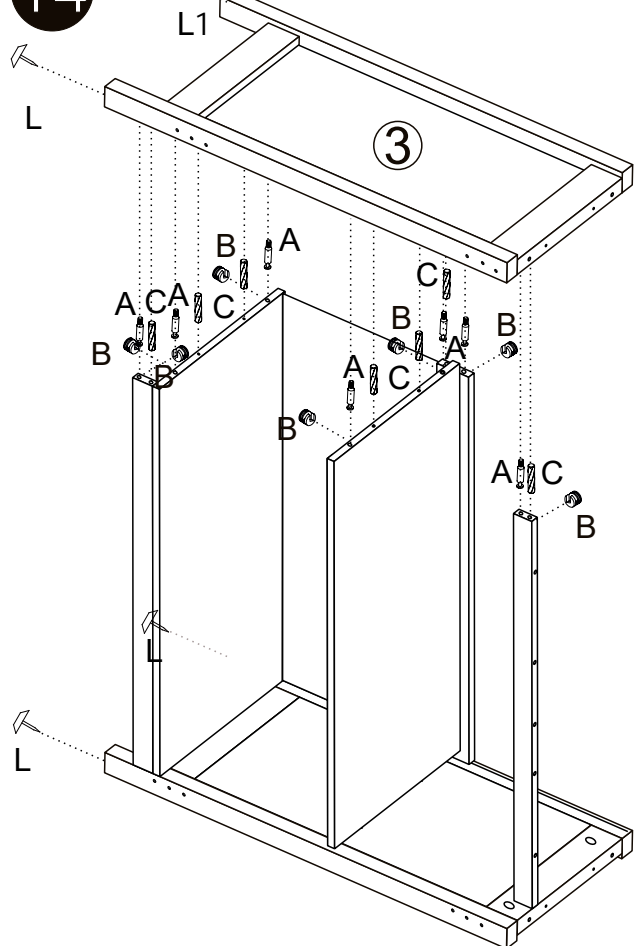
13

Embed part 18 into the frame which completed in step 12.



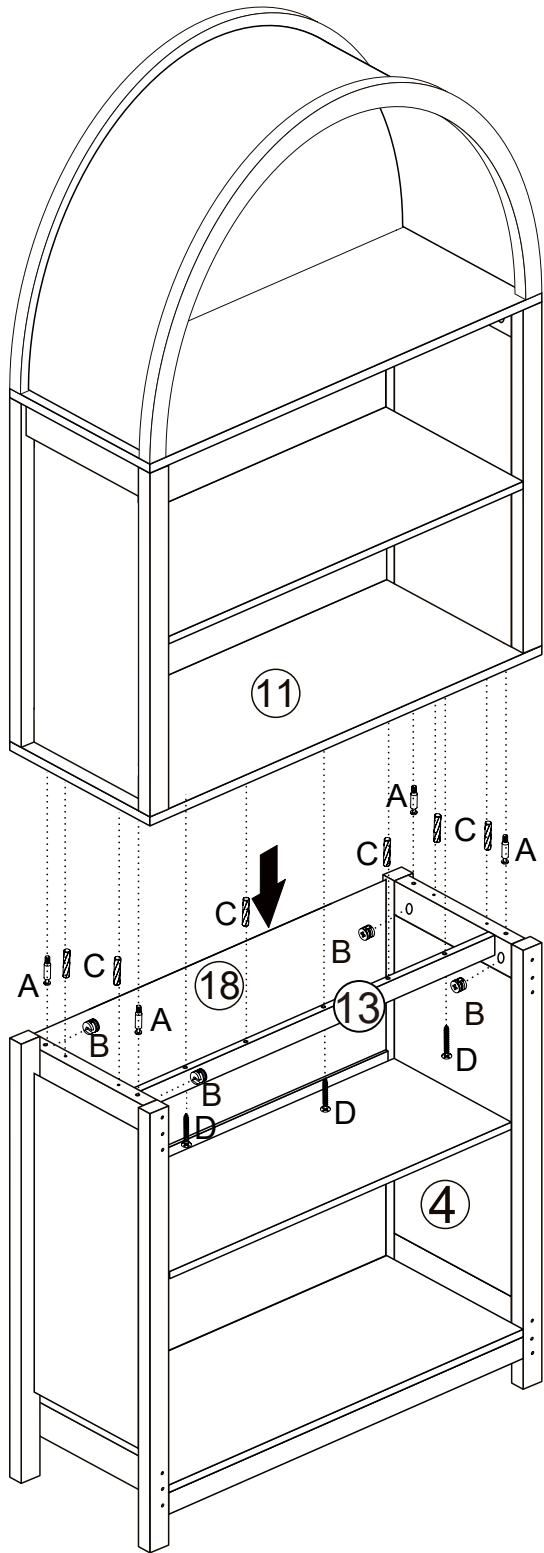
Placed the component A,C into the pre-drilled holes, then use B screws to fasten the connection.

14

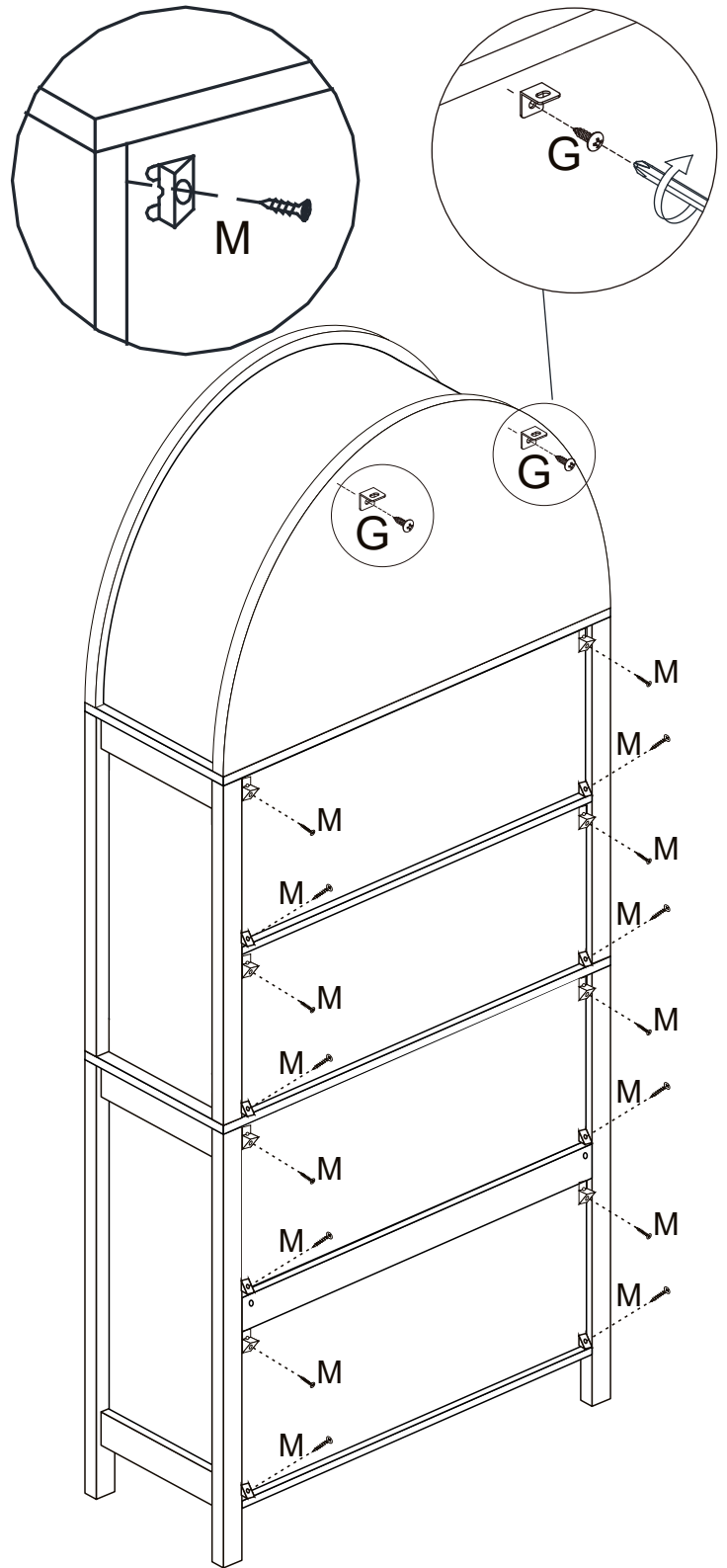


15

Placed the component A,C into the pre-drilled holes, then use B,D screws to fasten the connection.

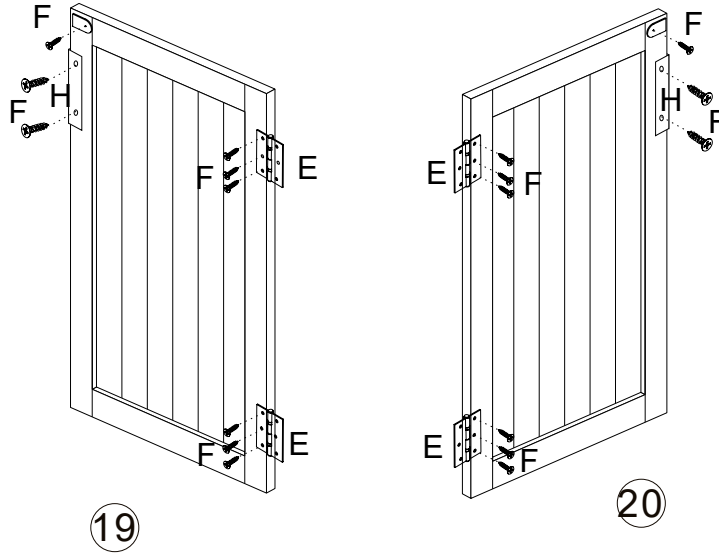


16



17

Placed them on the structure as shown in the diagram. Make sure each component are in the right position.

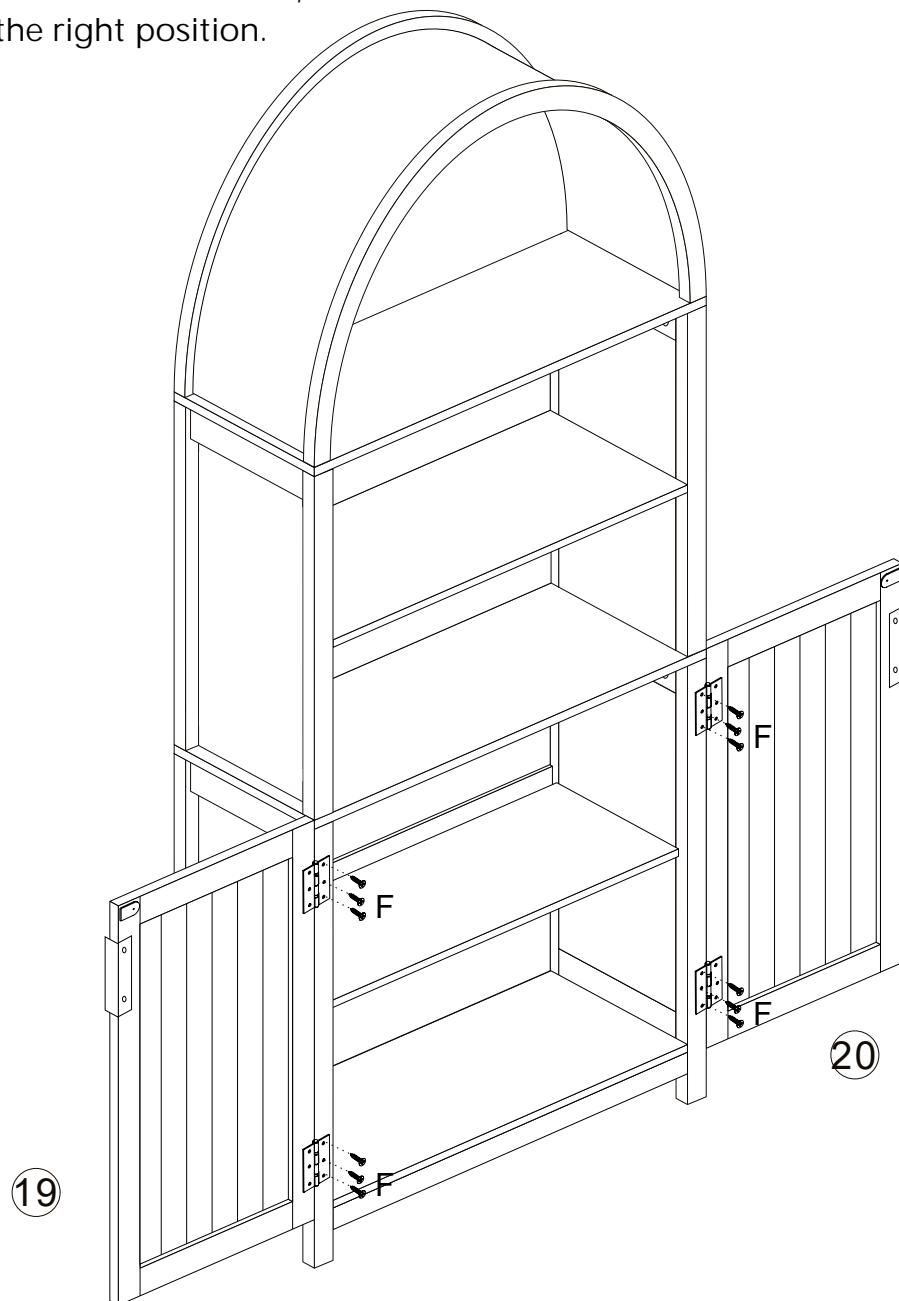


19

20

18

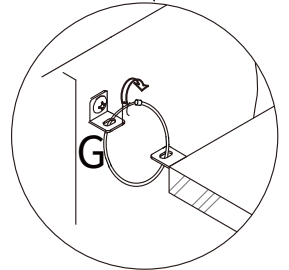
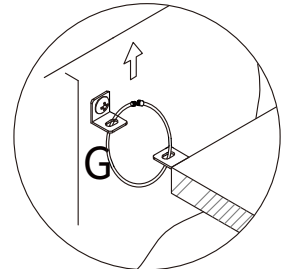
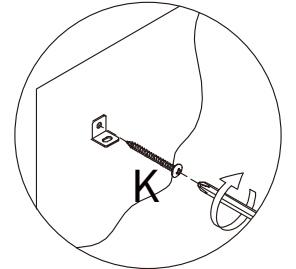
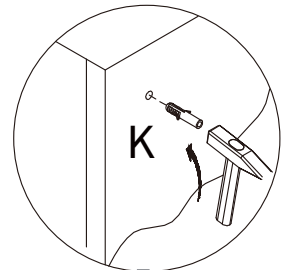
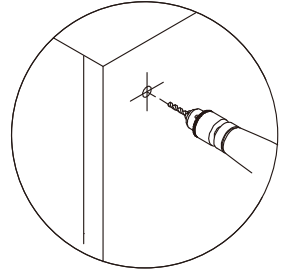
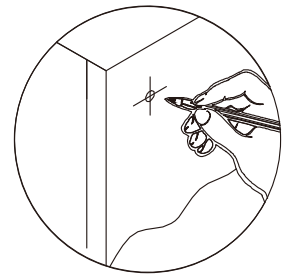
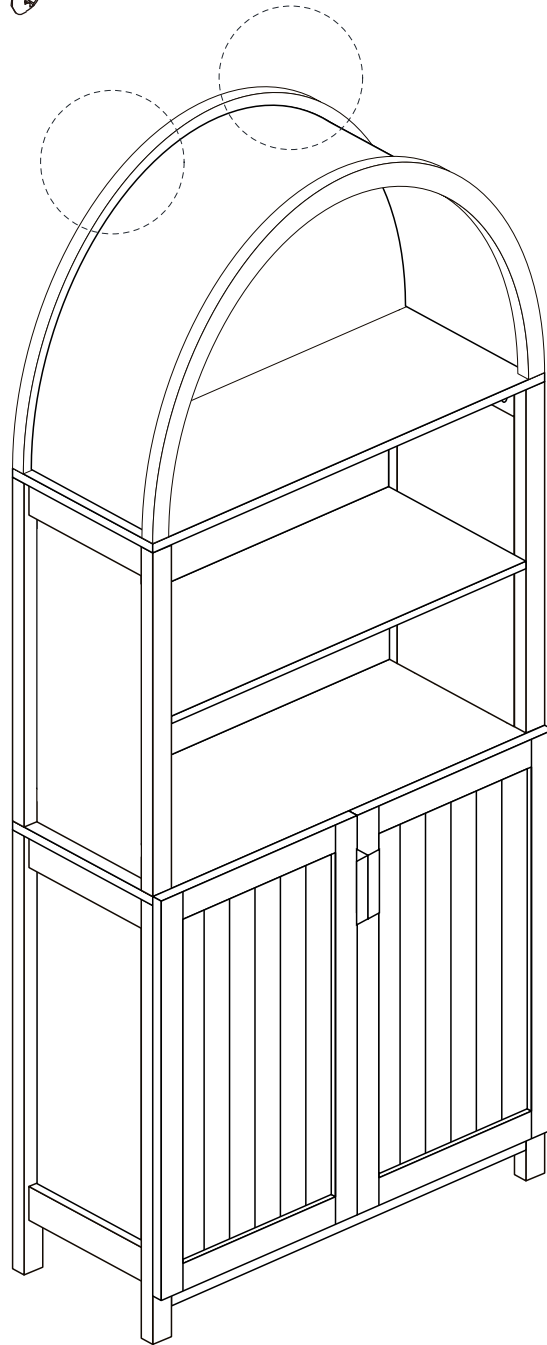
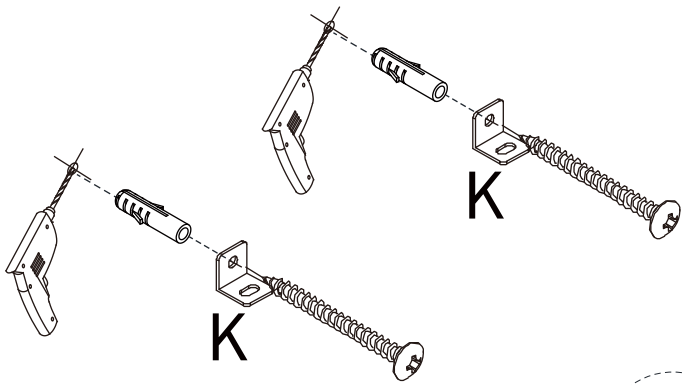
Used F screw to fasten the connection, make sure each component are in the right position.



19

20

19



1. Mark the drilling holes.
2. Drill holes in the marked.
3. Install the anchor devices into the drilled holes.
4. Ensure the furniture is firmly anchored to the wall to prevent tipover.