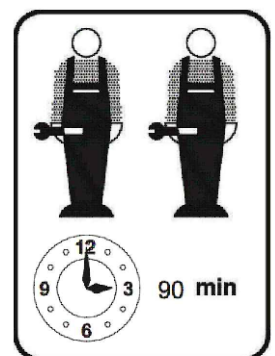
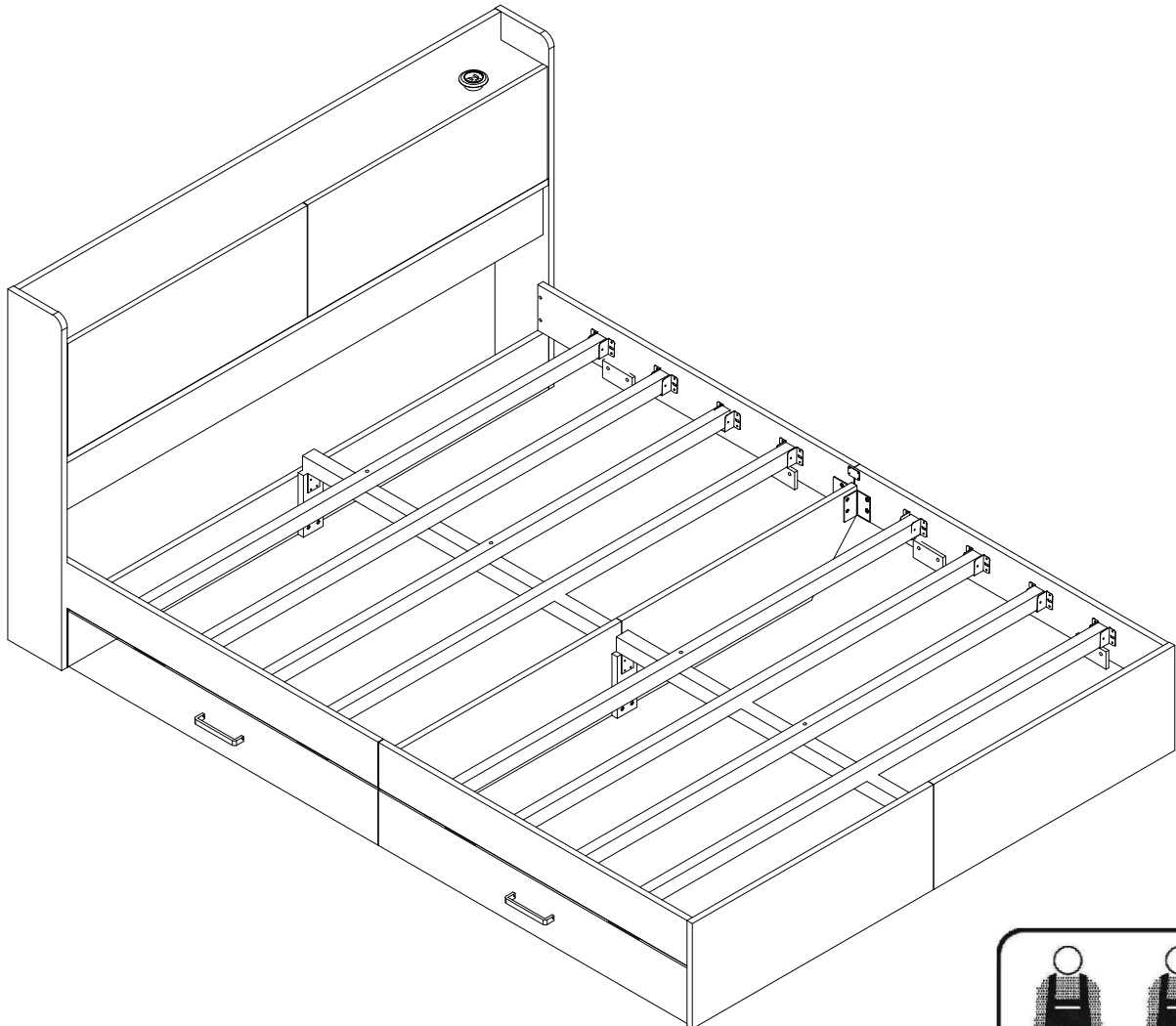


Bed

Assembly instructions – Please store for later reference



Important: Please read this manual completely before starting the assembly



Notice – Important Safety Disclaimers

For your safety, please read all instructions carefully before using this adjustable base. Save these instructions for future reference.

Attention:

This bed is intended to be used only as described in this manual. Keep the base unplugged before assembly. After assembly, please ensure you connect the bed properly to the power supply to avoid an electric shock or fire. Before cleaning always ensure that the bed is disconnected from the power source. Always keep the power cord away from heated surfaces.

If the power cord or plug becomes damaged, or if the bed is wet or not working properly, stop using the bed and contact customer service. Do not use any accessories/attachments that are not recommended by the manufacturer.

Close supervision is required when the bed is used by or near children, convalescents or disabled persons.

Electrical Safety:

To protect electrical components, the bed should be plugged into a surge protected power supply cord or receptacle

Warranty Warning:

Opening or tampering with these components will void the warranty.

In-Home Use Only:

This bed is designed exclusively for in-home use.

It is not designed as a hospital bed, or to meet hospital standards.

Do not use this bed with tent type oxygen therapy equipment or near explosive gases.

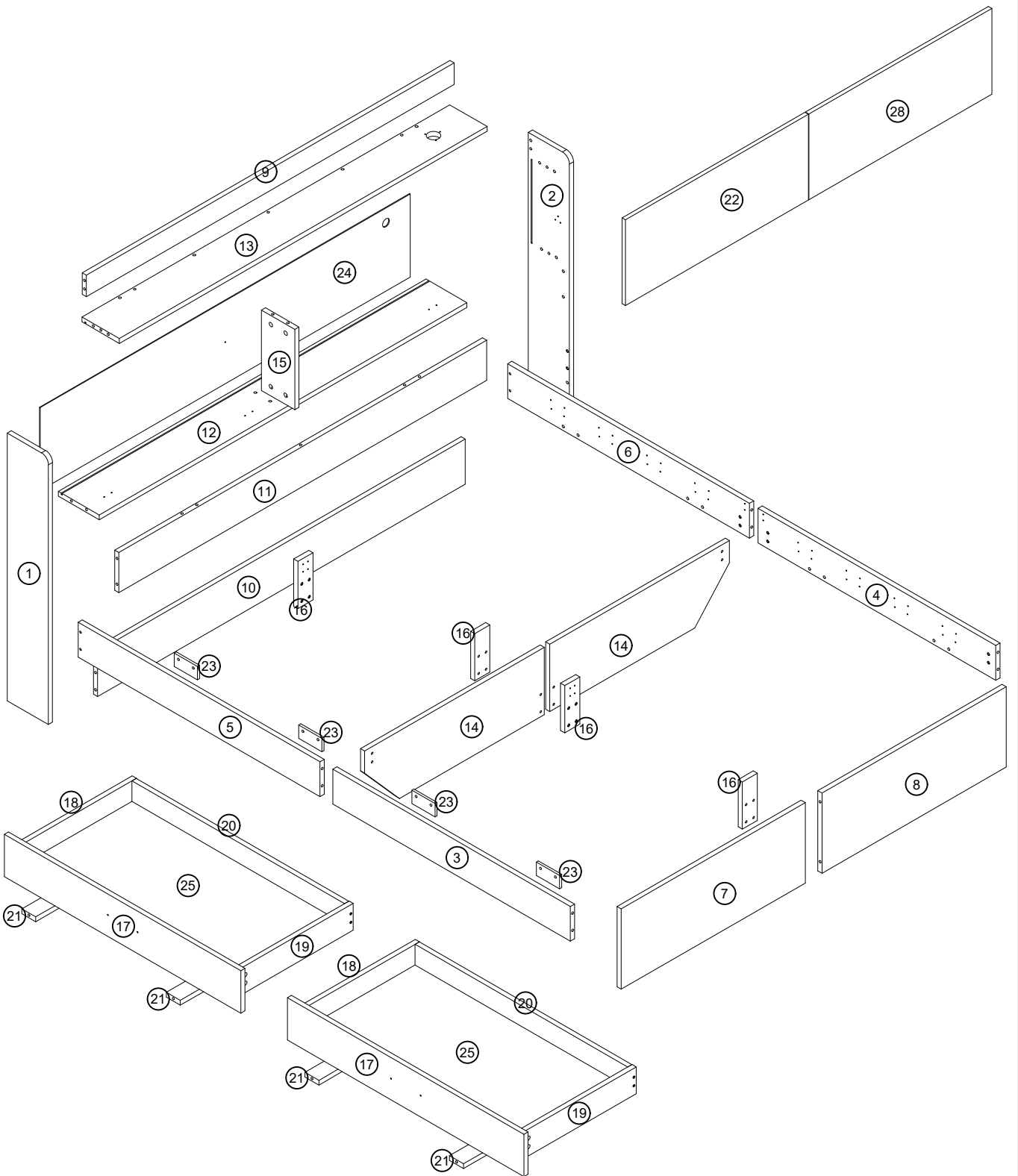
We do have weight limits, but they are just suggestions.

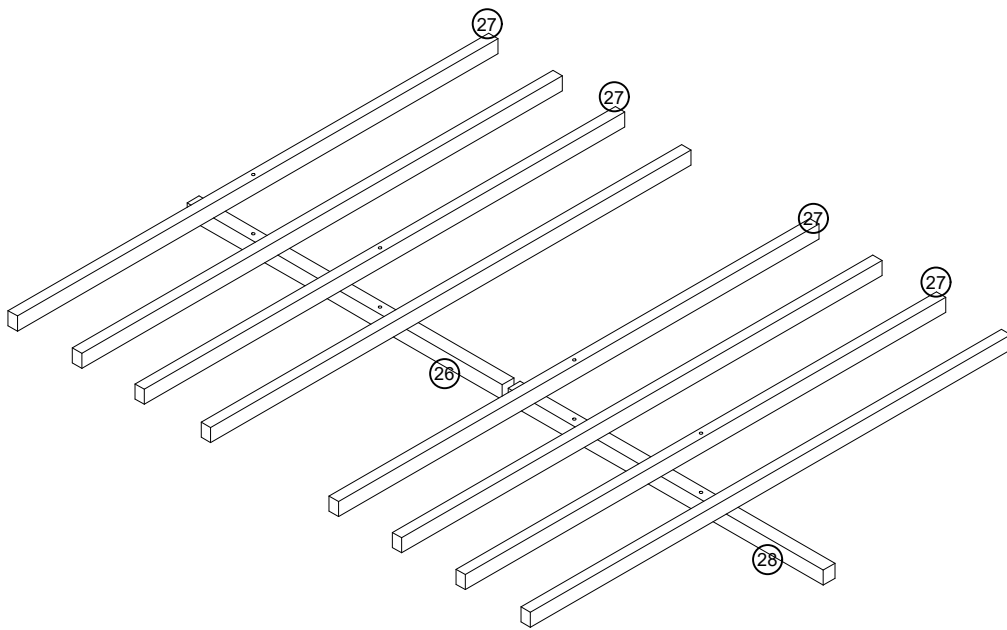
We've read in product reviews that our beds have with stood much greater weights. Here are our guidelines:

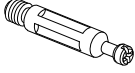

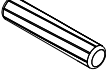

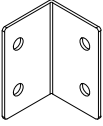


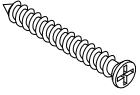

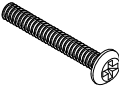

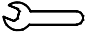

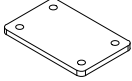
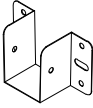



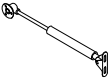

SINGLE, KING SINGLE = 158 kgs




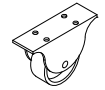
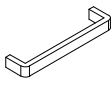

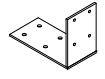
DOUBLE, QUEEN KING = 270 KGS

Please be advised that these weight limits exclude the mattress weight.

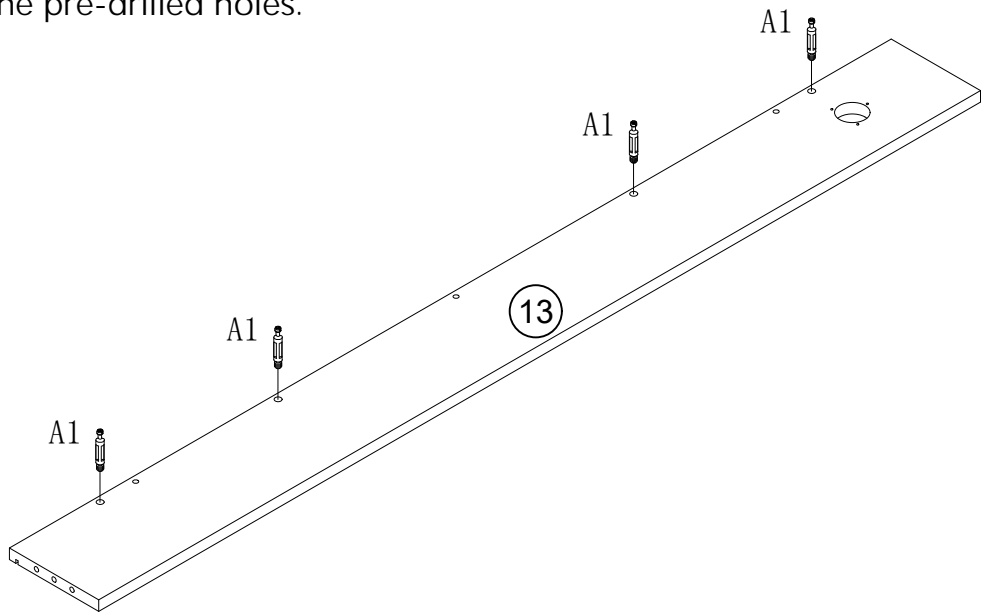




| | | | |
|--|--|--|---|
| A1X40  | A2X40  | BX18  | CX8  |
| Ø6*40 | Ø15*11.5 | Ø8*30 | Ø8*40 |
| DX6  | EX24  | FX16  | GX4  |
| | M6*15 | M6*30 | M5*50 |
| HX4  | I ₁ X4  | I ₂ X4  | JX1  |
| M6 | M6x45 | M6*15 | |
| Lx208  | Mx4  | Nx16  | OX3  |
| M3.5x14 | | | M3x16 |
| Px1  | Qx4  | Rx2  | SX40  |
| | | | Ø20 |

| | | | |
|---|--|--|--|
| <p>TX2</p>  <p>T1 T2 T3 T4 T5</p> | <p>UX1</p>  | <p>VX16</p>  | <p>WX8</p>  |
| | | <p>M3.5*35</p> | |
| <p>X₁x2</p>  | <p>X₂x2</p>  | <p>Yx4</p>  | |
| | <p>M4*22</p> | | |
| | | | |
| | | | |
| | | | |
| | | | |
| | | | |
| | | | |

Step 1 Place A1 screws in the designated position and align them with the pre-drilled holes.

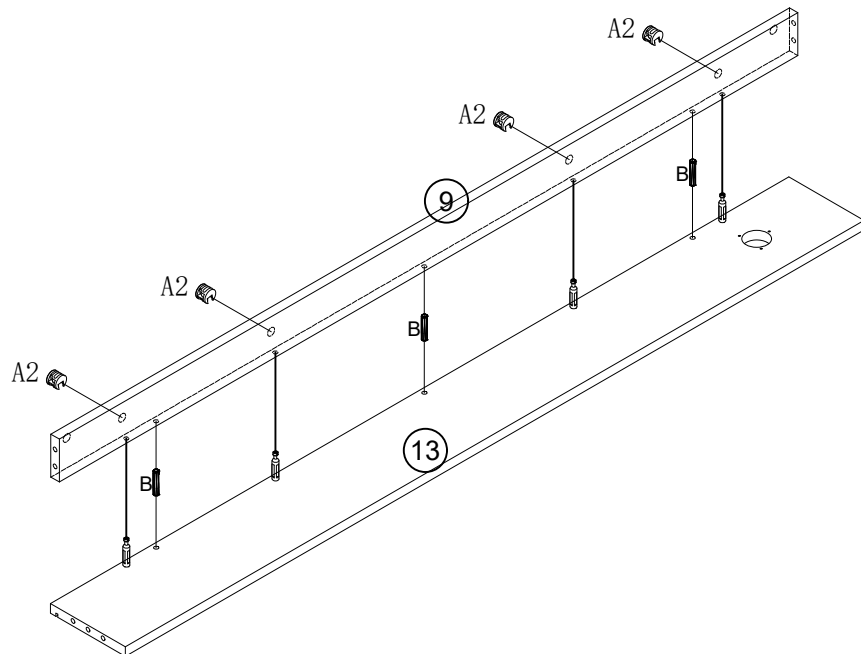


A1*4

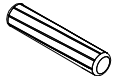


M6*40

Step 2



B*3



Ø8*40

A2*4

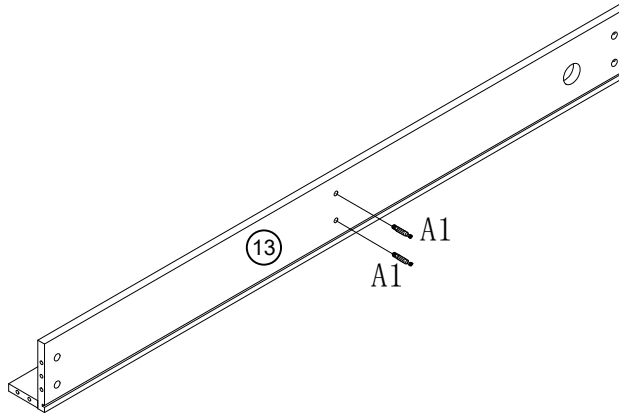


Ø15*11.5

Place A2 in position shown in the manne and B at the marked locations.

Step 3

Install A1 in the specified position with reference to the diagram and align the drilled holes.



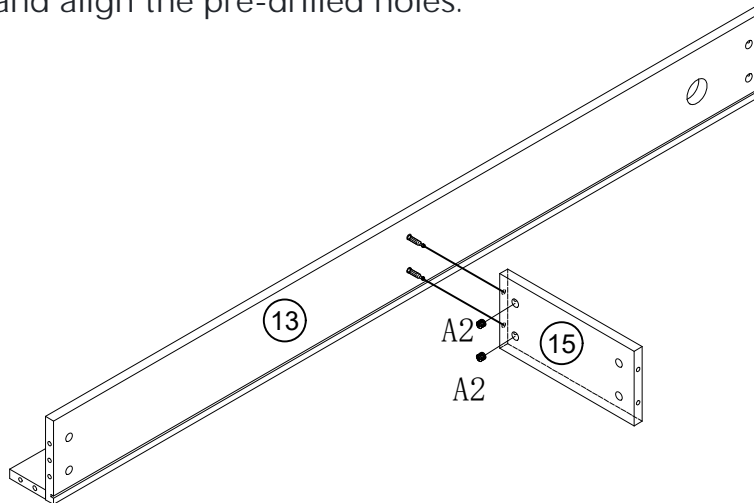
A1*2



M6*40

Step 4

Place the A2 as shown in the diagram and align the pre-drilled holes.



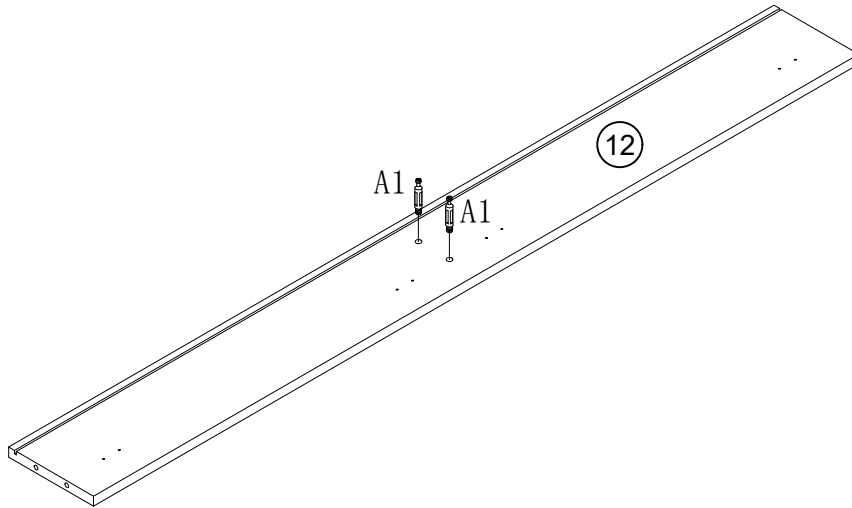
A2*2



Ø15*11.5

Step 5

Install A1 in the specified position with reference to the diagram and align the drilled holes.



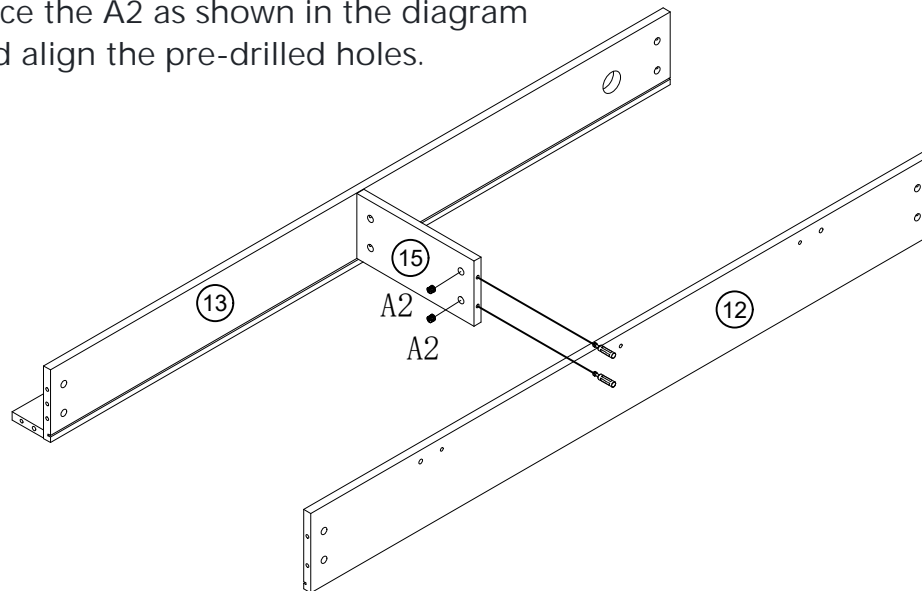
A1*2



M6*40

Step 6

Place the A2 as shown in the diagram and align the pre-drilled holes.

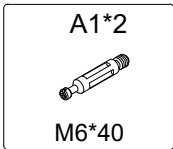
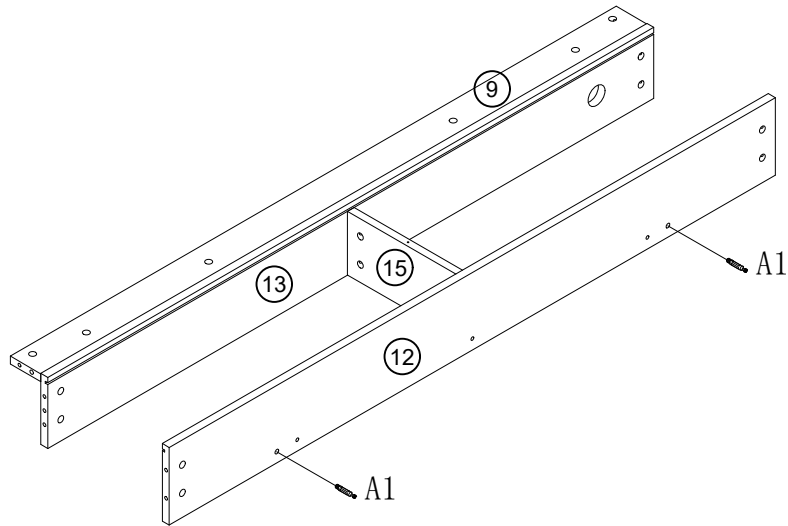


A2*2

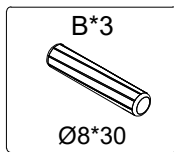
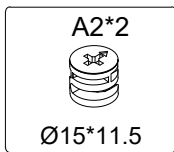
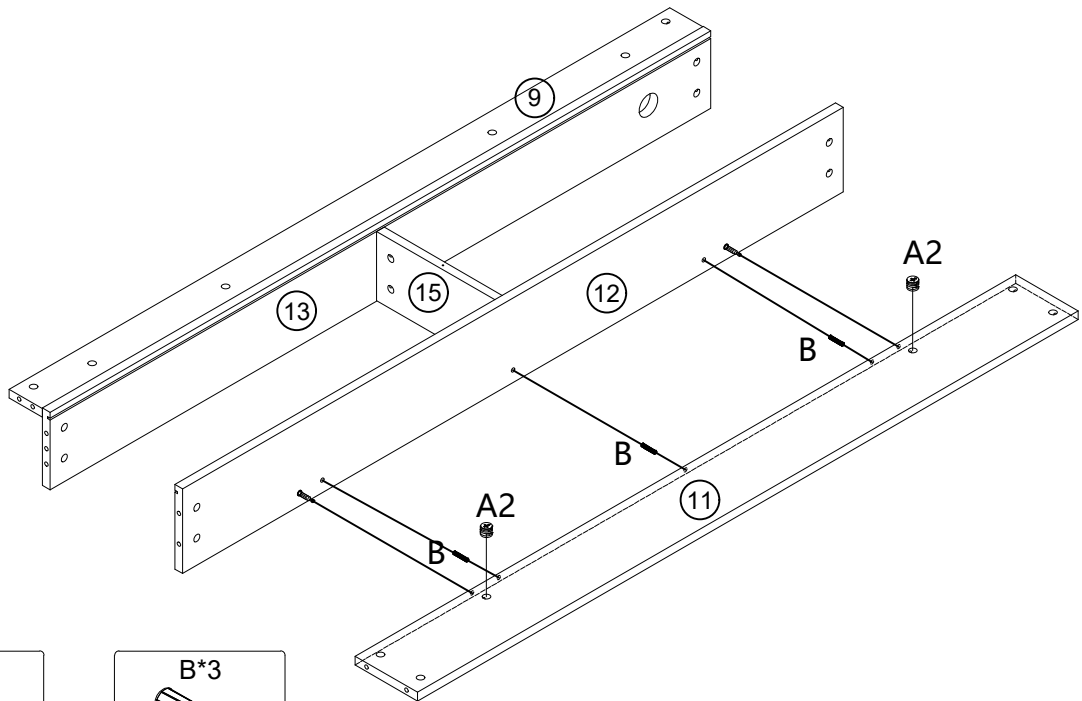


Ø15*11.5

Step 7 Use A1 screws to secure the connections.

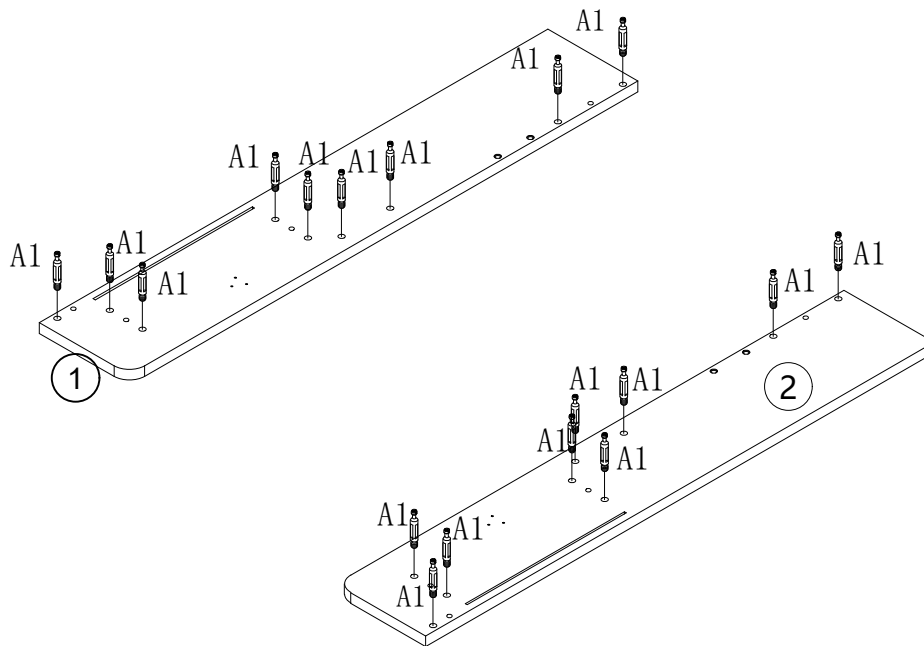


Step 8



Install A1 in the corresponding positions according to the diagram and align the drilled holes.

Step 9



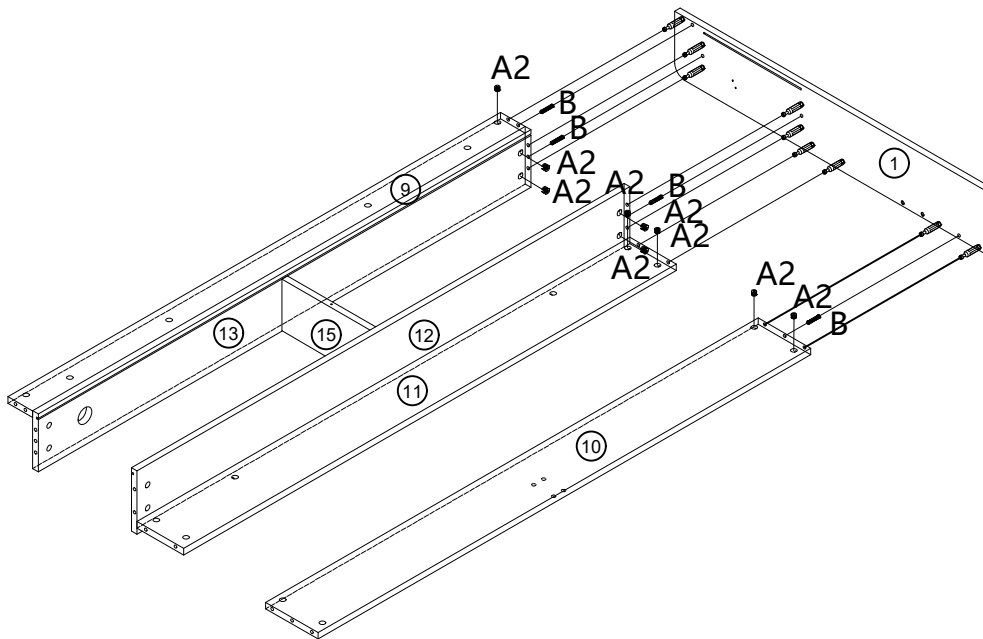
A1*18



M6*40

Install A1 in the specified position with reference to the diagram and align the drilled holes.

Step 10



A2*9



Ø15*11.5

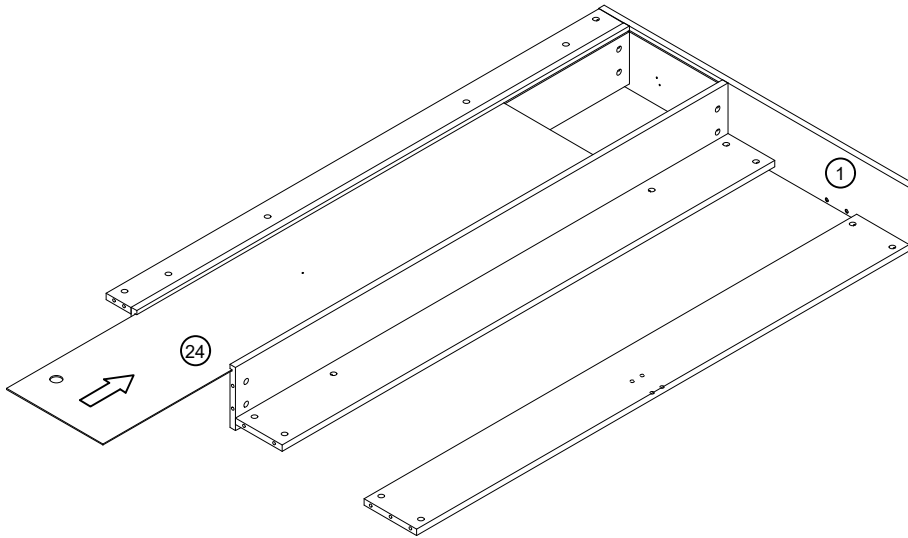
B*4



Ø8*30

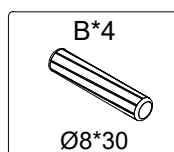
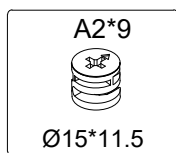
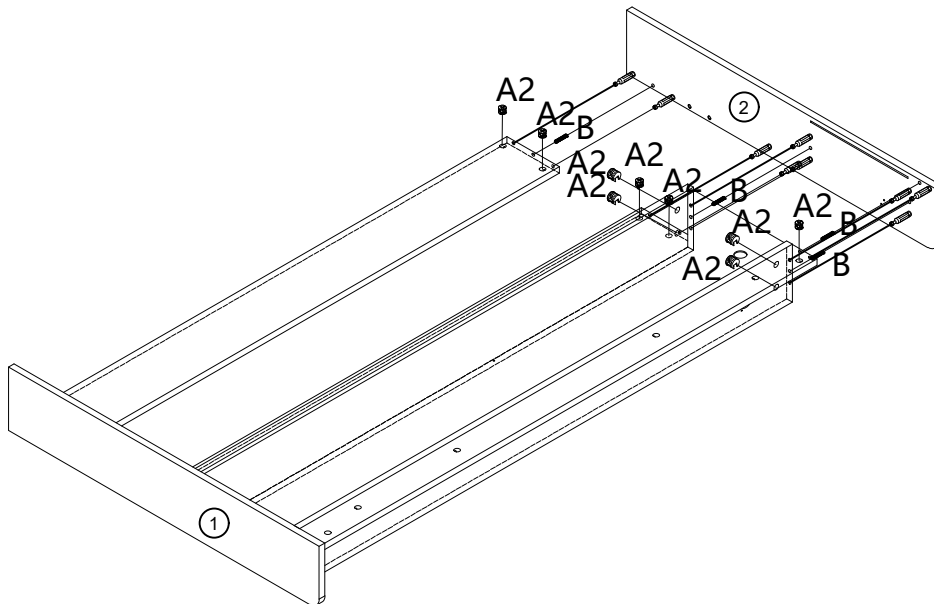
Place A2 and B screws in the specified positions according to the diagram.

Step 11



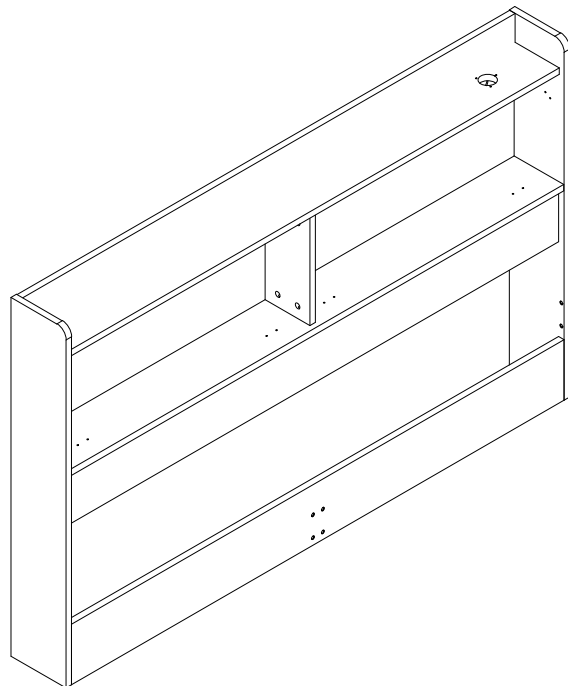
Install the components into the main structure. Ensure it can slide smoothly and are properly aligned.

Step 12



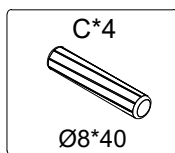
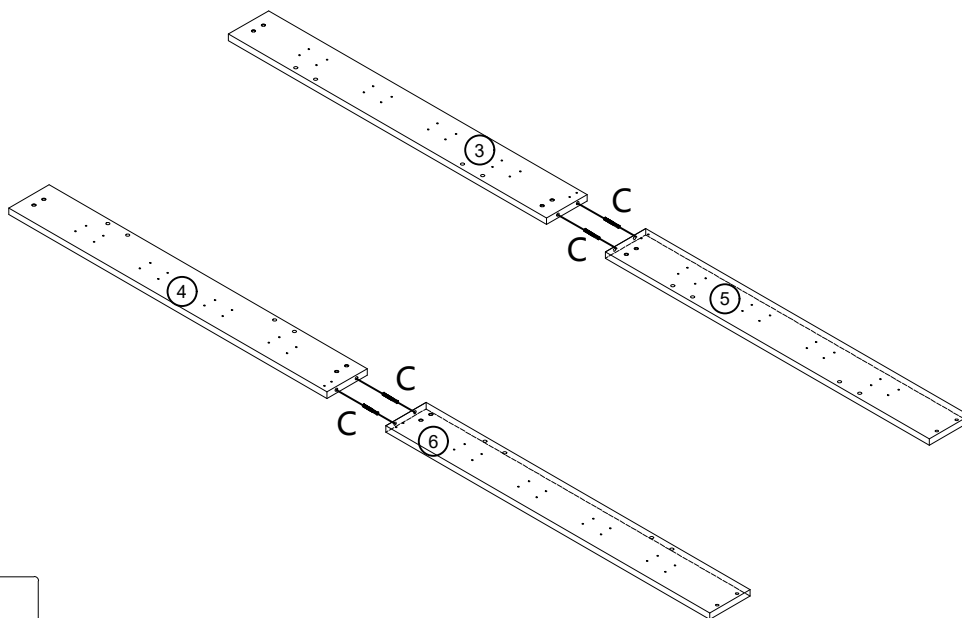
Place A2 and B screws in the specified positions according to the diagram.

Step 13



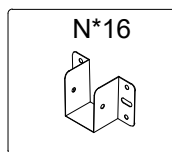
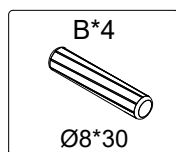
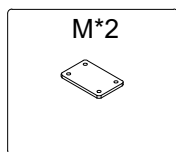
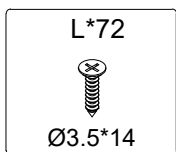
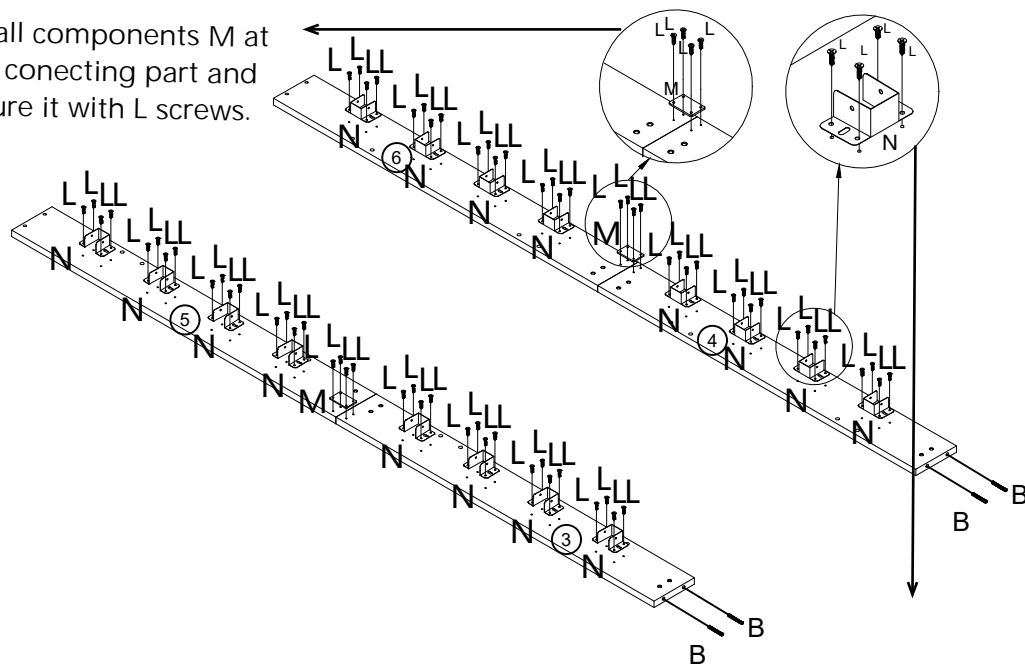
The bedside installation has been completed.

Step 14



Use C screws to secure the connections.

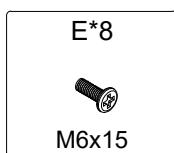
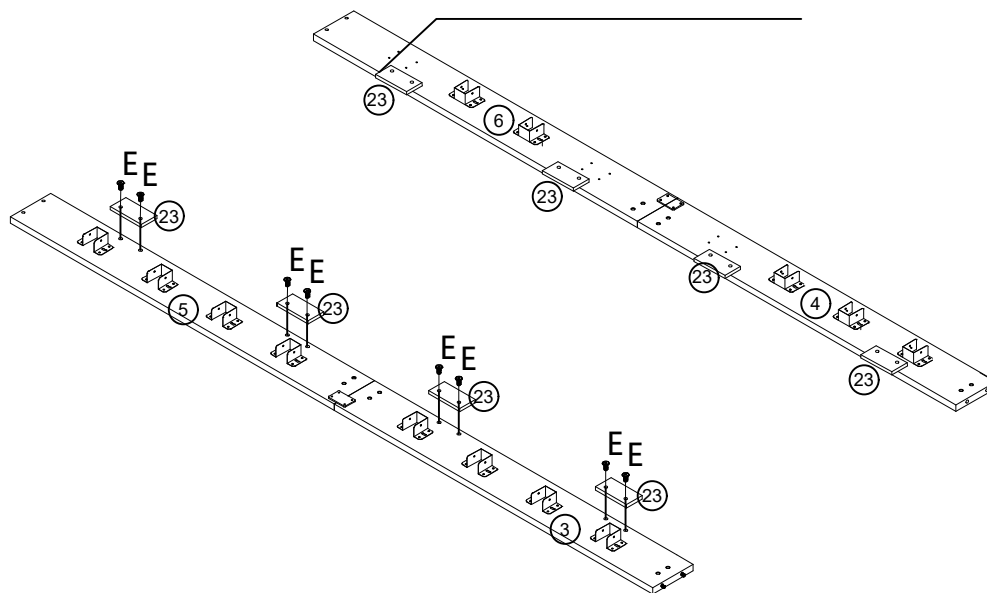
Step 15 Install components M at the connecting part and secure it with L screws.



Install component N at the position shown in the figure and secure it with L screws.

Step 16

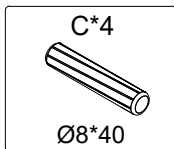
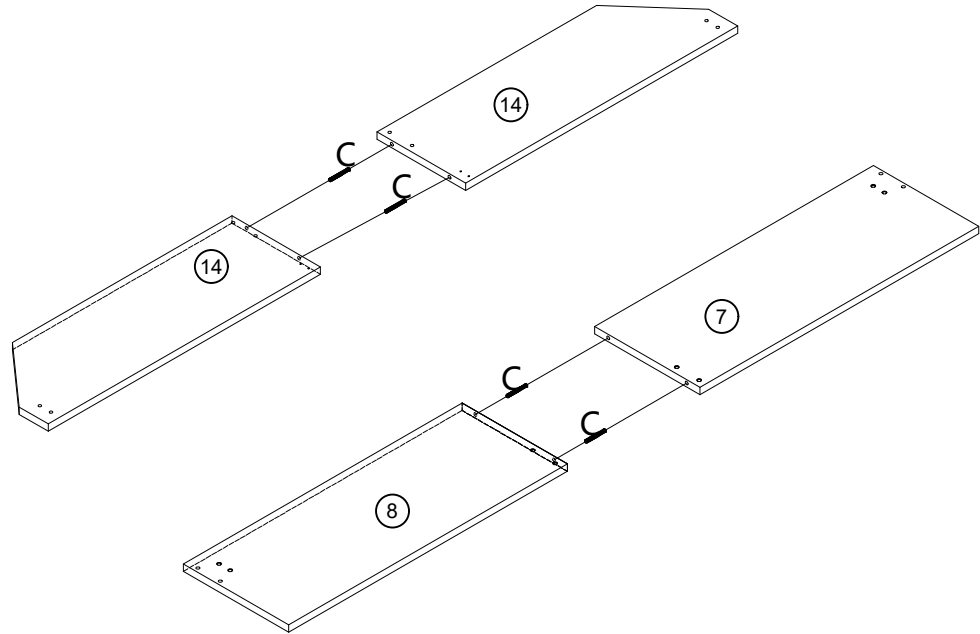
Serial number 23, can be used interchangeably on the left and right beds.



Use E screws to secure the connections.

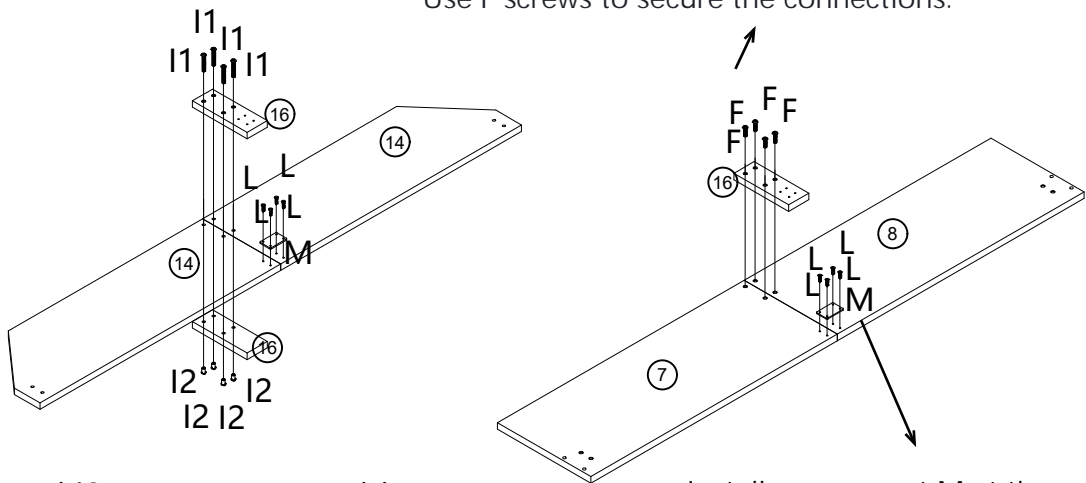
Step 17

Use C screws to secure the connections.



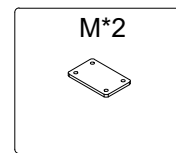
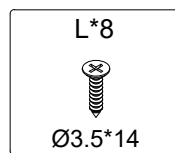
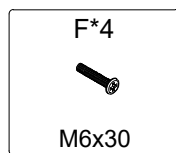
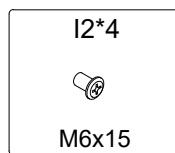
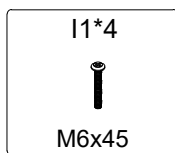
Step 18

Assemble the components in the manner shown.
Use F screws to secure the connections.

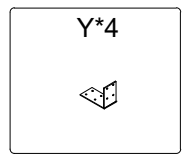
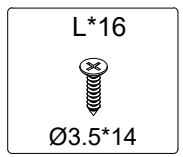
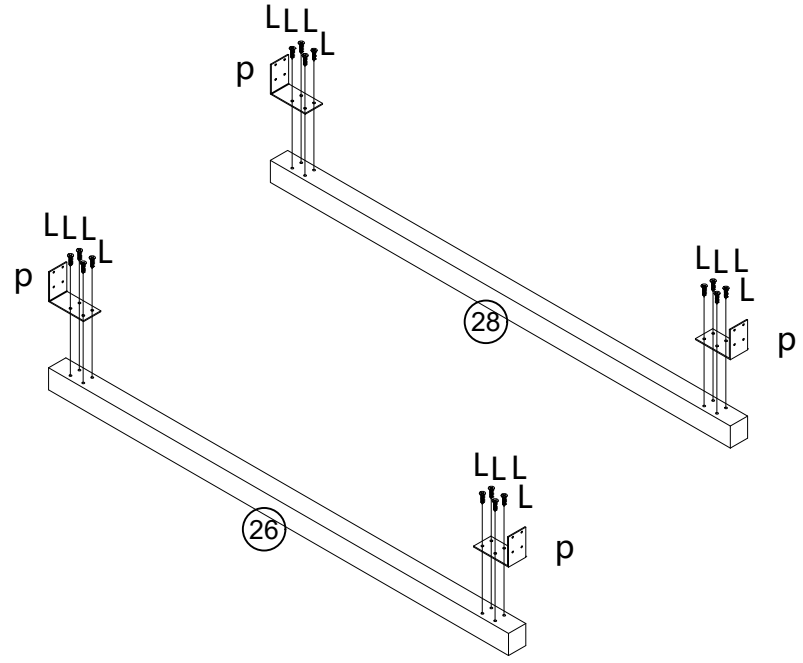


Use I1 and I2 screws to assemble these parts as per the diagram.

Install component M at the connecting part and secure it with L screws.



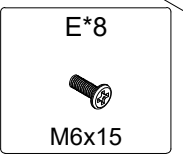
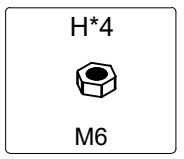
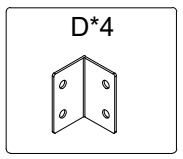
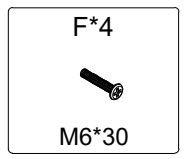
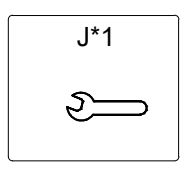
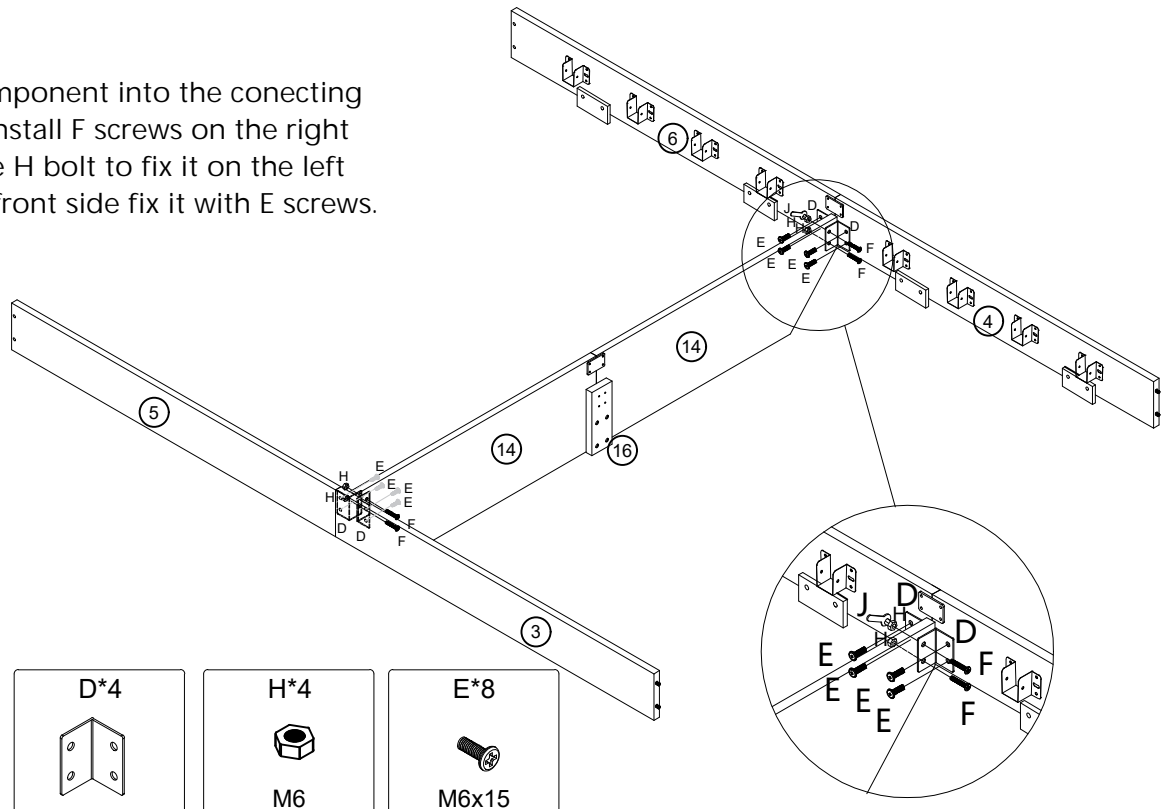
Step 19



Use L screws to secure the connections. Making sure components P is placed in right directions.

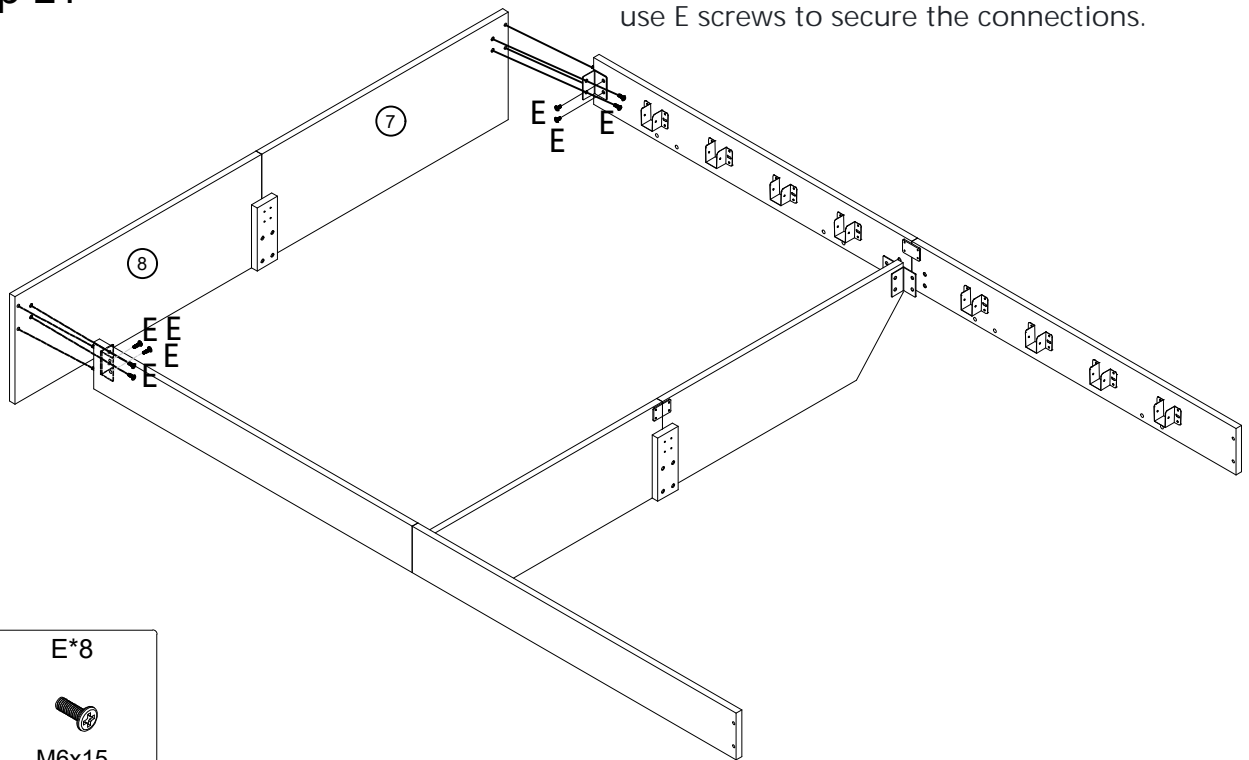
Step 20

Install D component into the connecting point, then install F screws on the right side, use the H bolt to fix it on the left side, in the front side fix it with E screws.



Step 21

Assemble the components in the manner shown, use E screws to secure the connections.

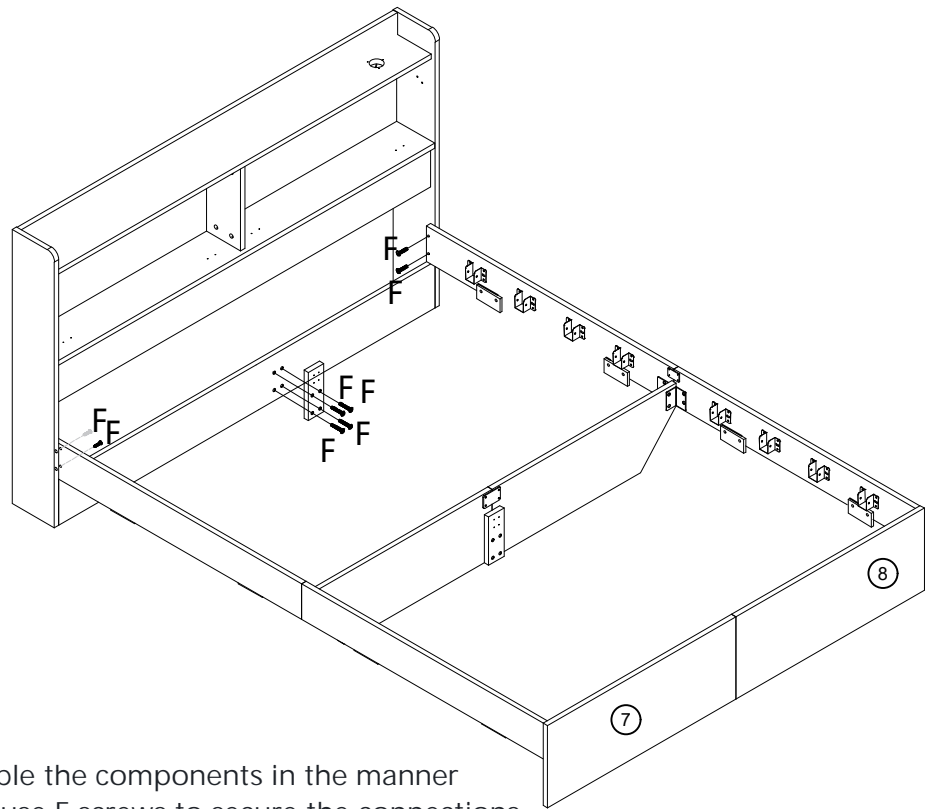


E*8



M6x15

Step 22



F*8

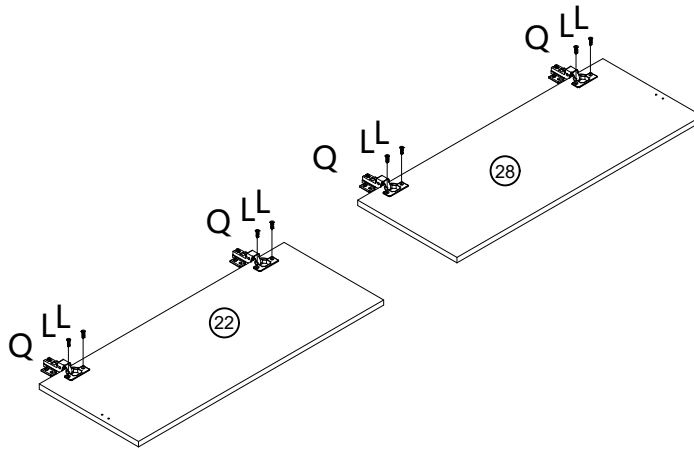


M6*30

Assemble the components in the manner shown, use F screws to secure the connections.

Step 23

Place Q as shown in the diagram to ensure accurate positioning, use L screws to secure the connections.



L*8



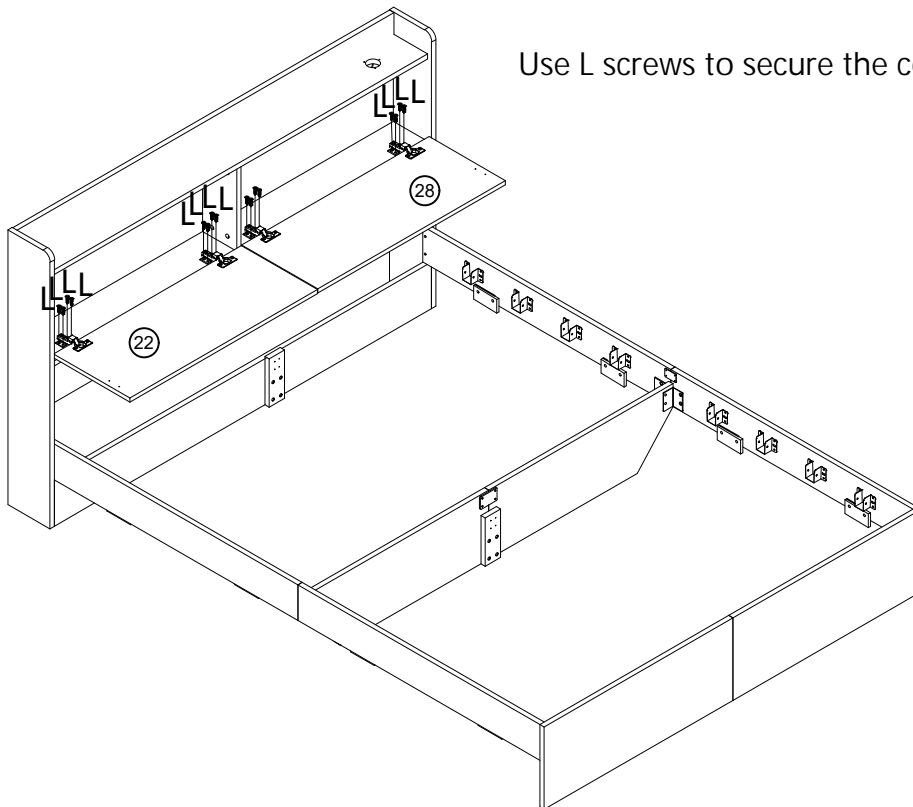
Ø3.5*14

Q*4



Step 24

Use L screws to secure the connections.

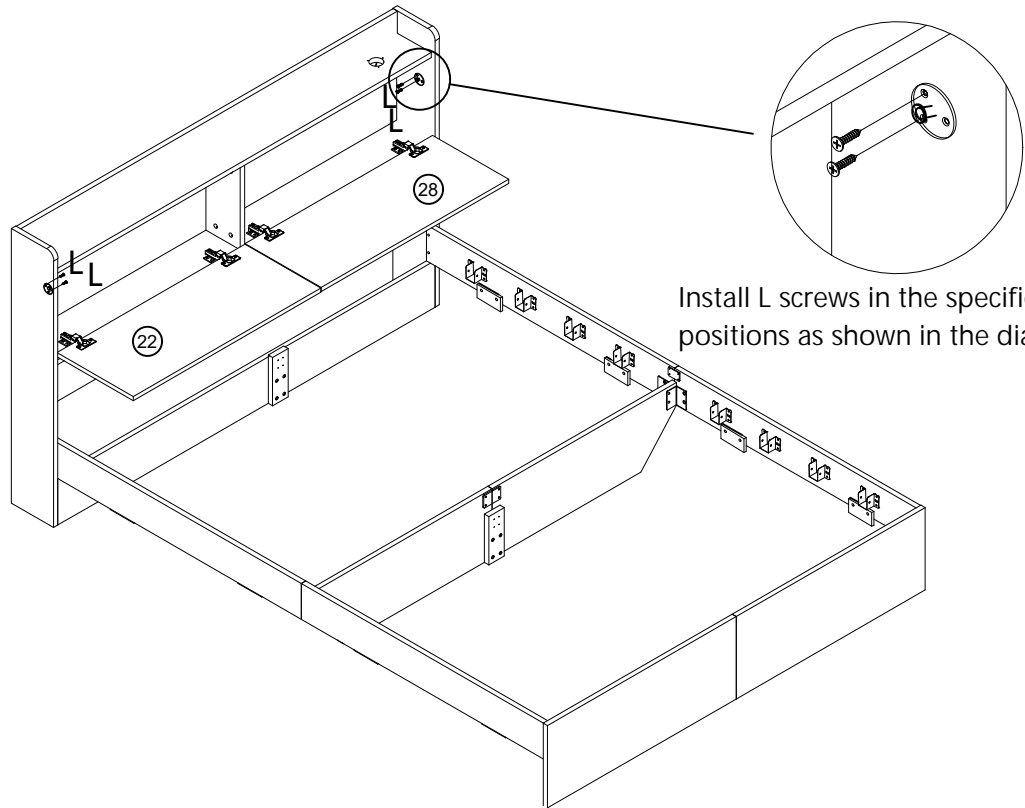


L*16

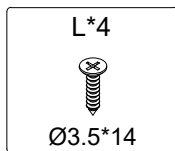


Ø3.5*14

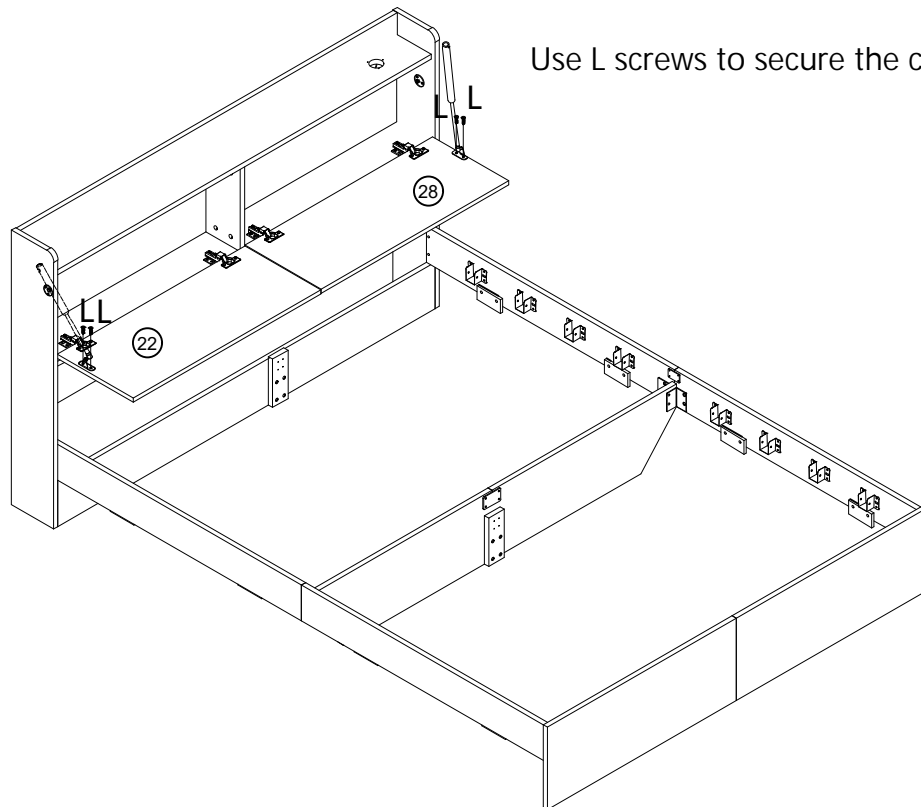
Step 25



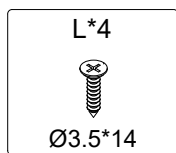
Install L screws in the specified positions as shown in the diagram.



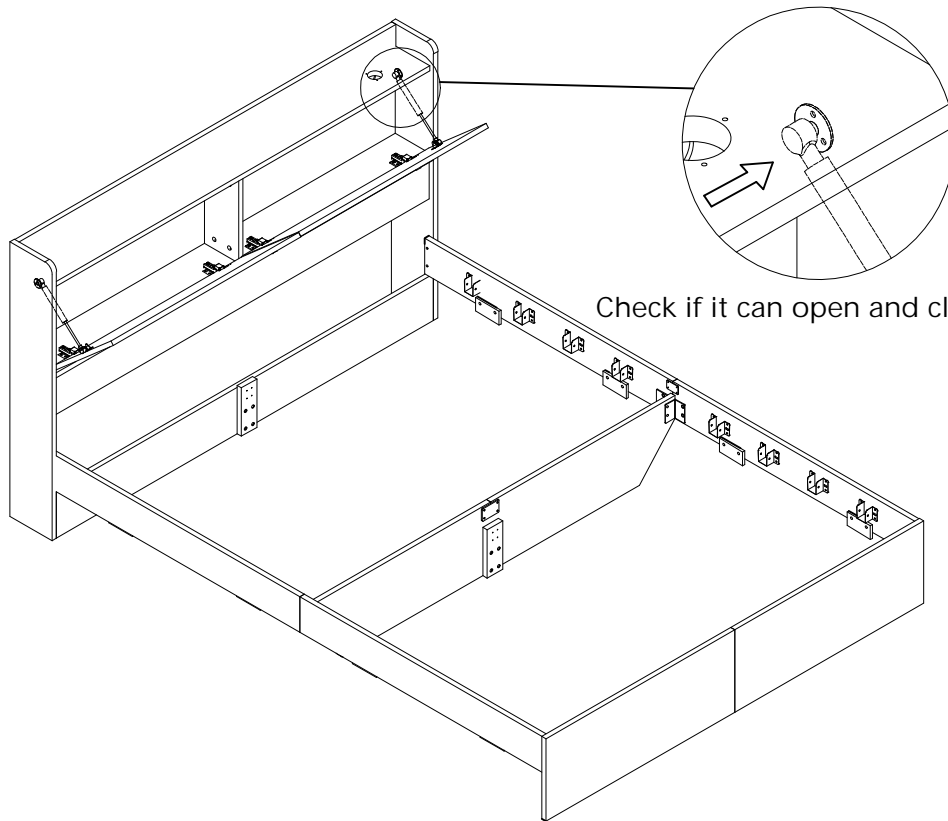
Step 26



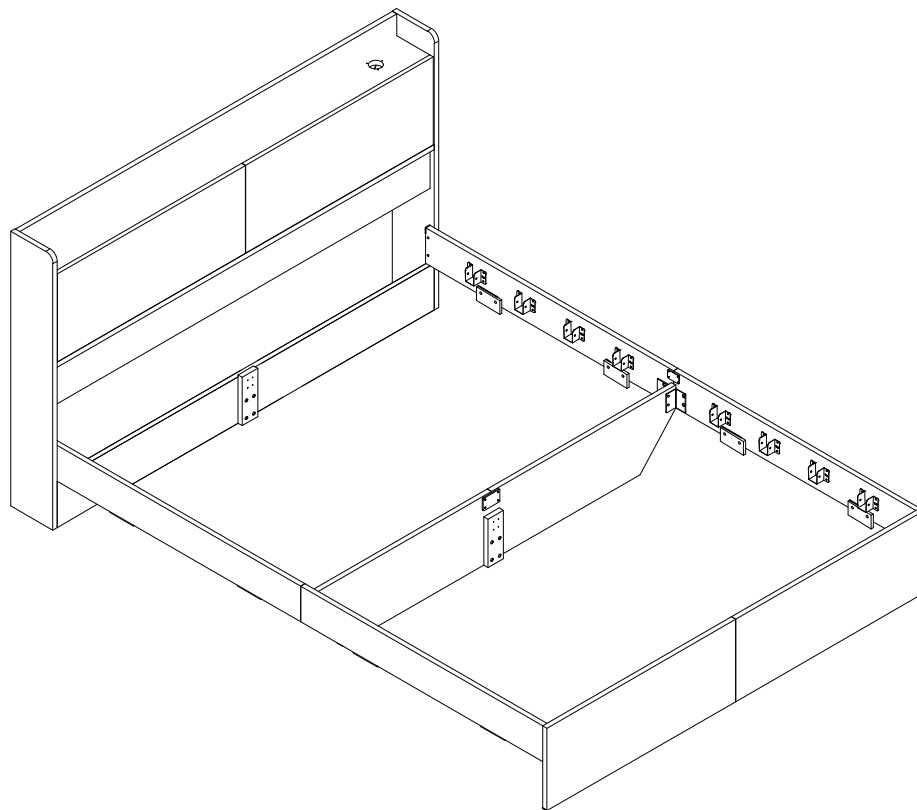
Use L screws to secure the connections.



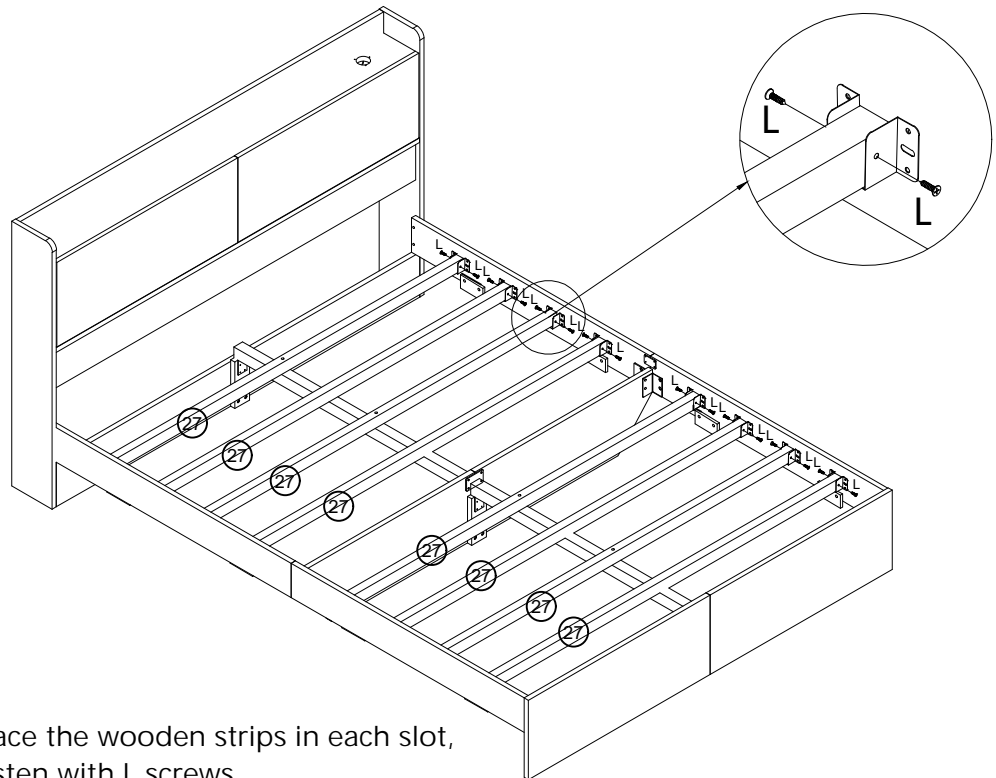
Step 27



Step 28



Step 29

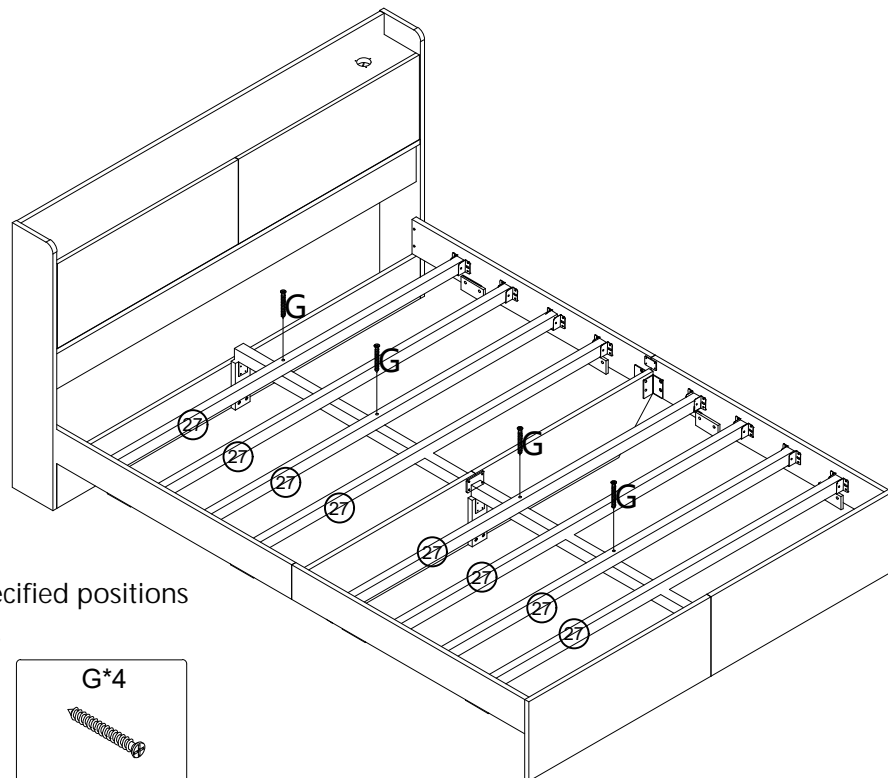


L*32



Place the wooden strips in each slot,
fasten with L screws.

Step 30

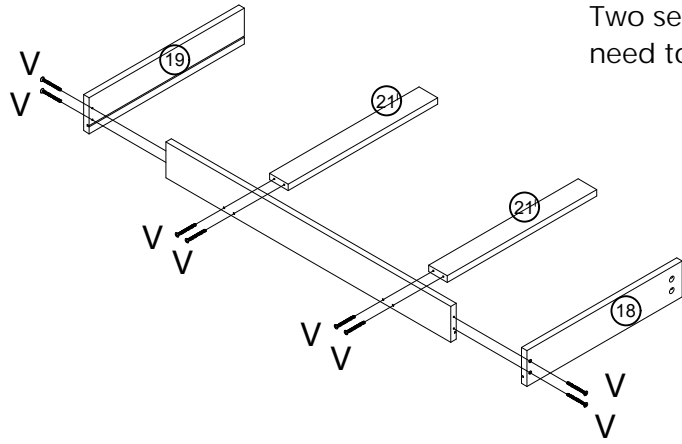


Install G screws in the specified positions
as shown in the diagram.

G*4

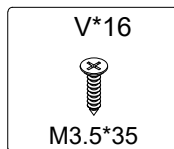


Step 31



Two sets of such assemblies
need to be carried out.

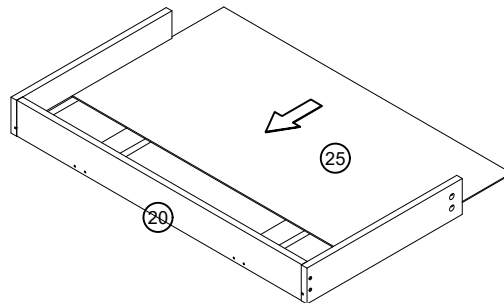
X2



Install V screws in the specified positions as shown in the diagram.

Step 32

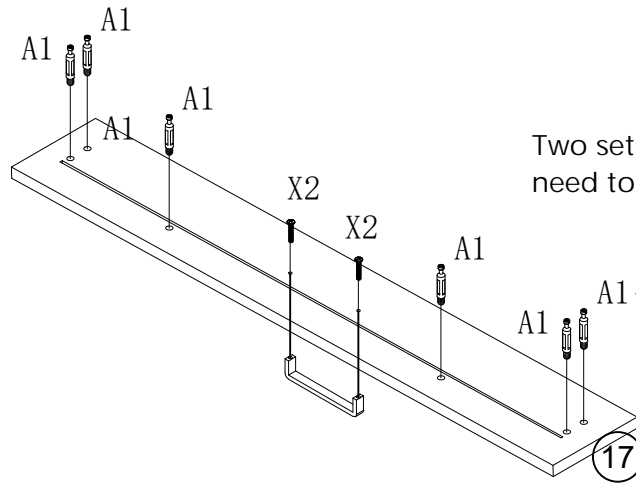
Slide the board into the main structure



Two sets of such assemblies
need to be carried out.

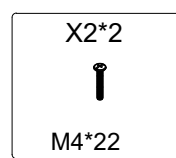
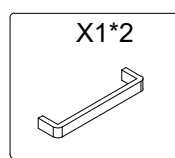
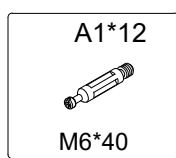
X2

Step 33



Two sets of such assemblies need to be carried out.

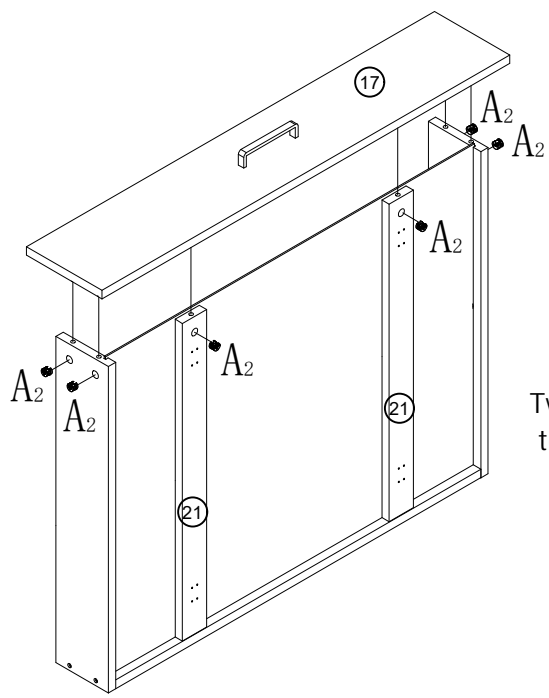
X2



Use X2 screws to secure the handle (X1), install A1 screws at the position shown in the figure.

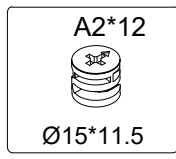
Step 34

Use A2 screws secure the connection.



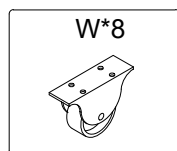
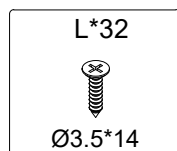
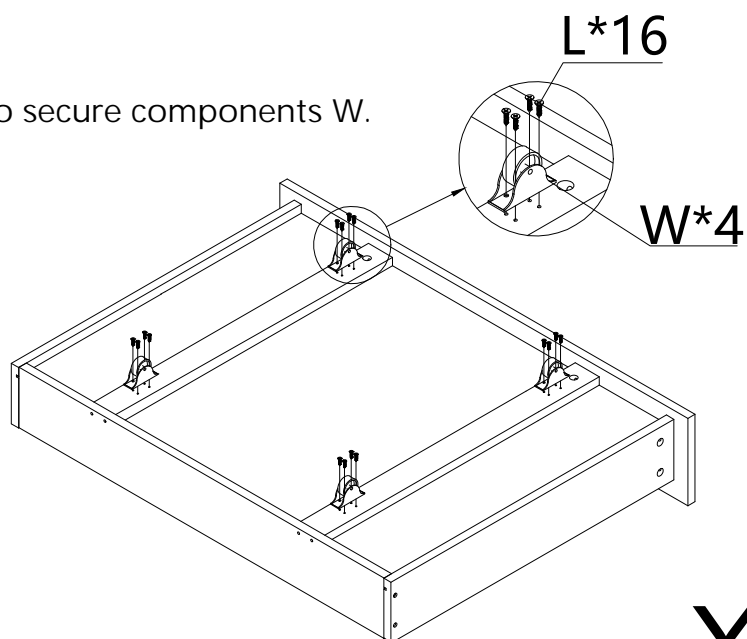
Two sets of such assemblies need to be carried out.

X2



Step 35

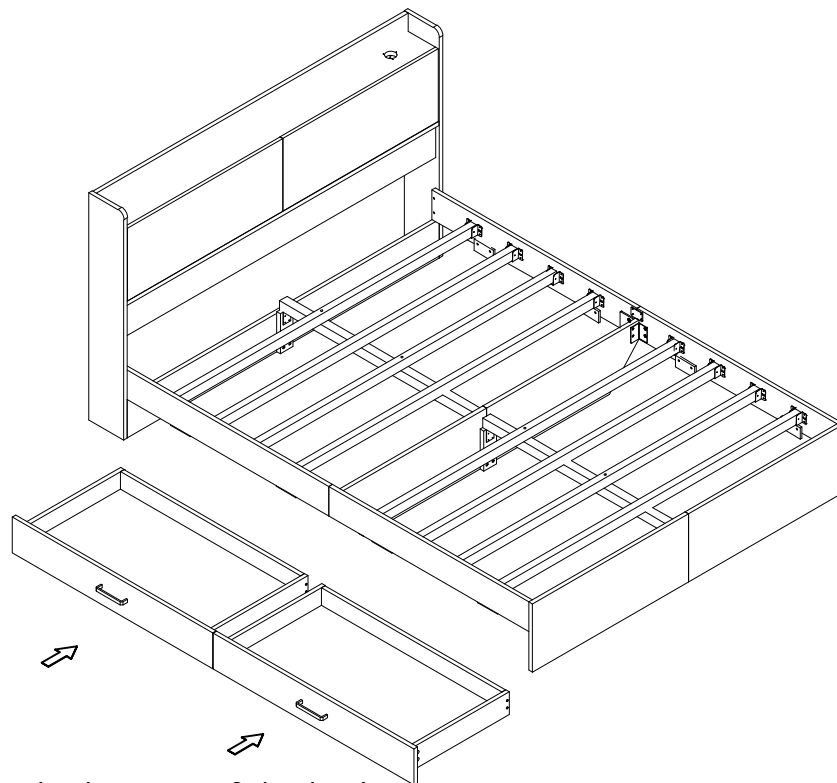
Use L screws to secure components W.



X2

Two sets of such assemblies need to be carried out.

Step 36

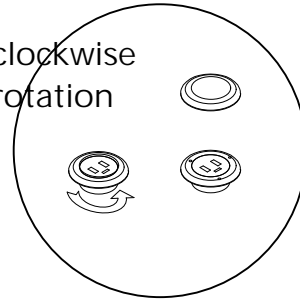


Put the drawers into the bottom of the bed.

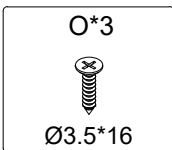
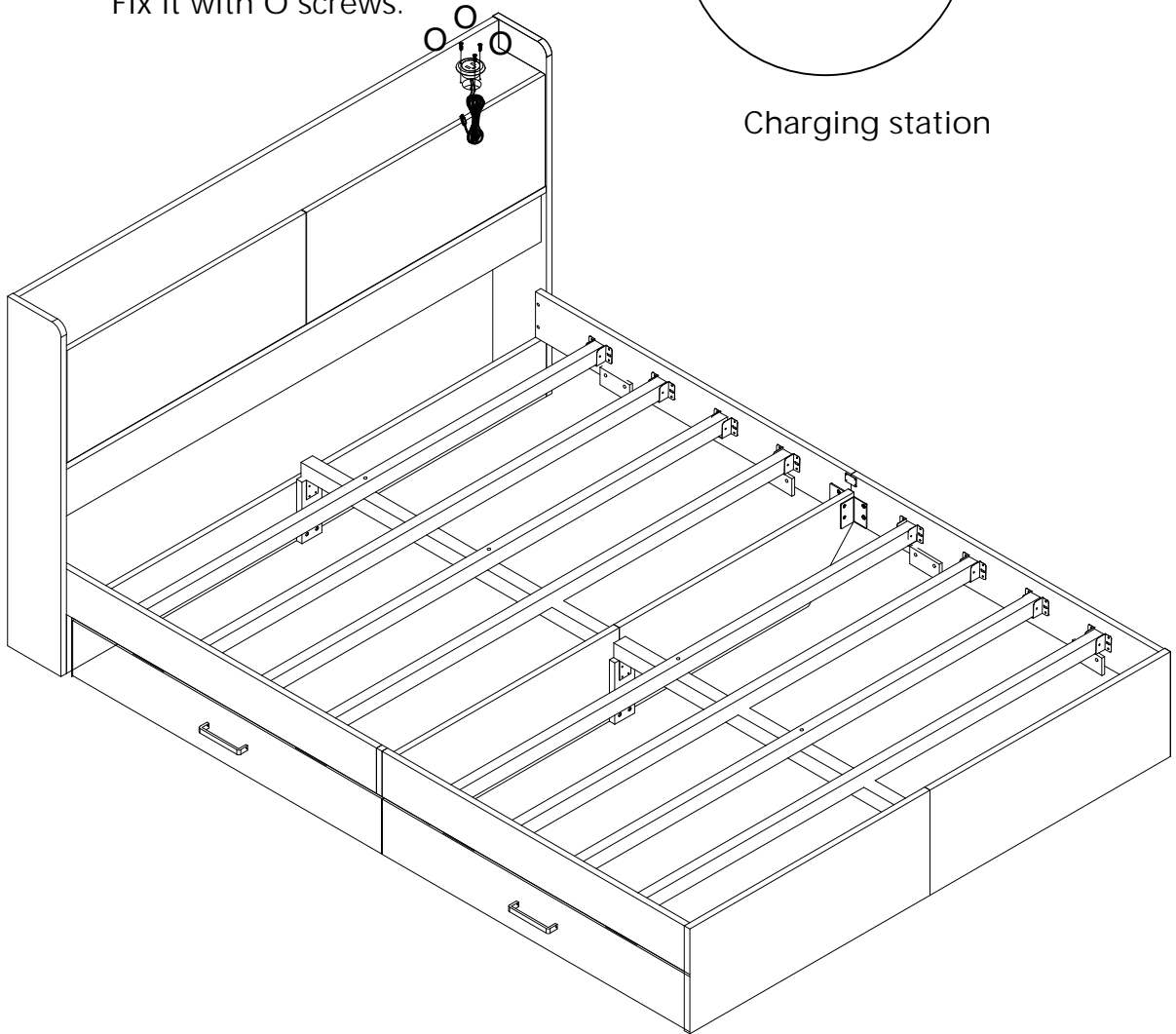
Step 37

Fix it with O screws.

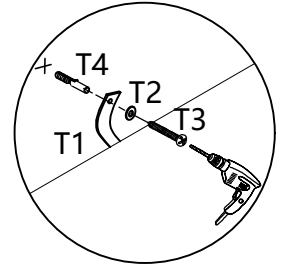
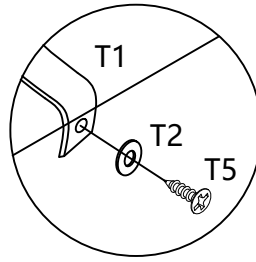
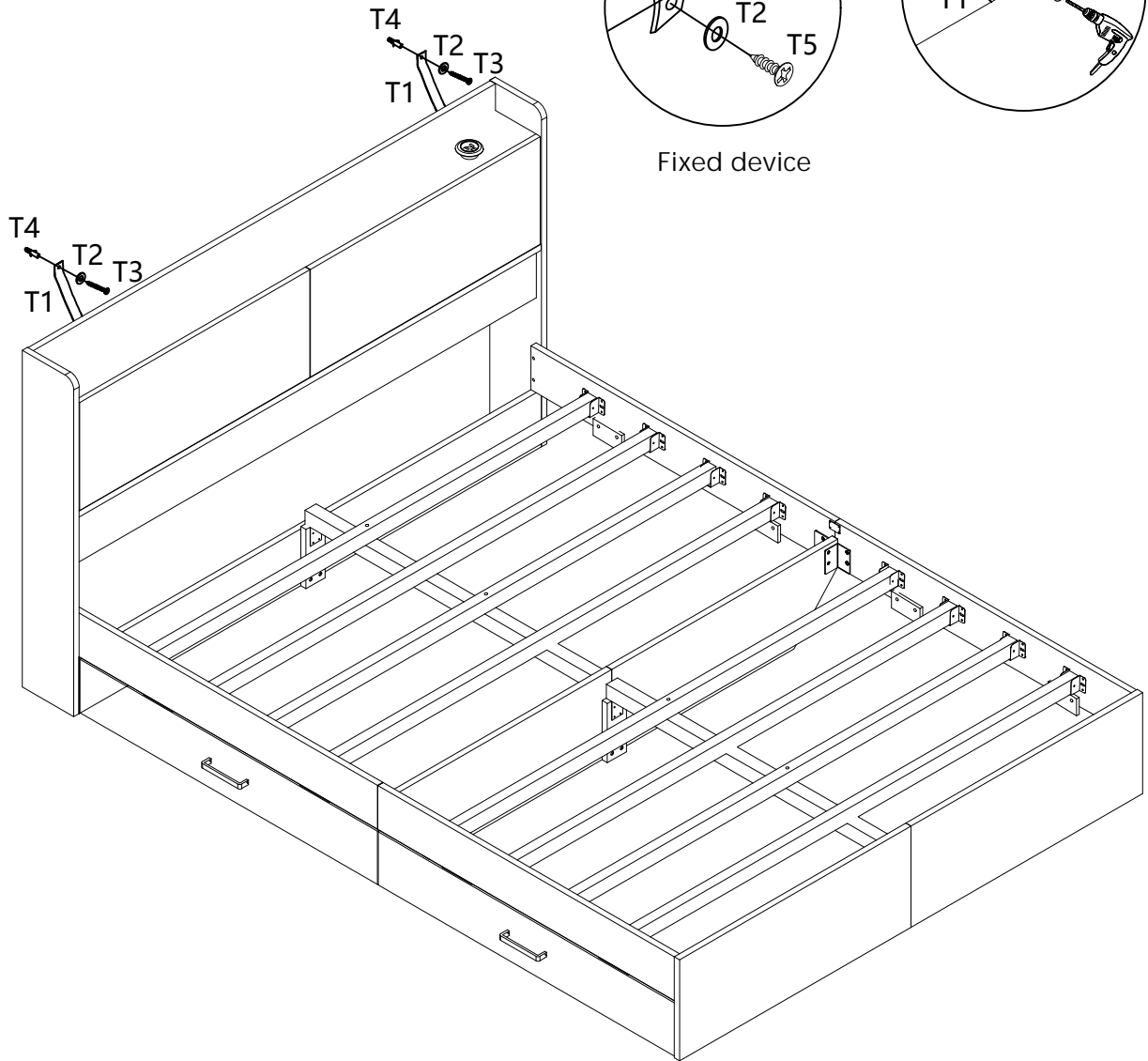
clockwise
rotation



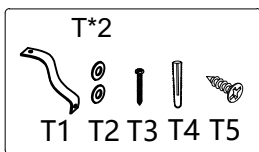
Charging station



Step 38



Fixed device



Step 39

