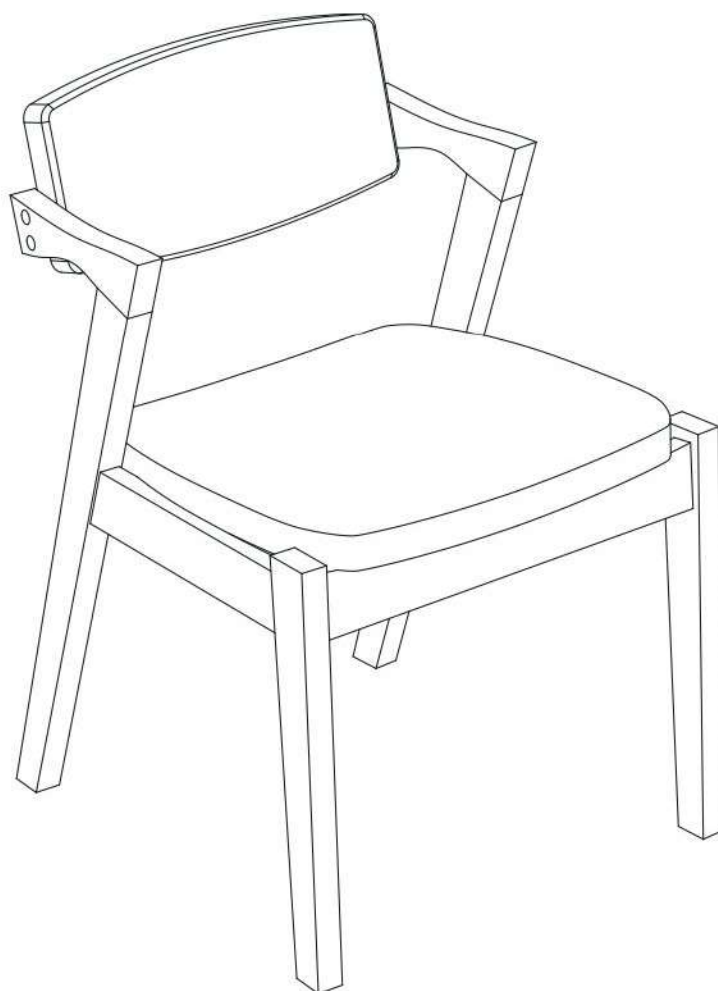
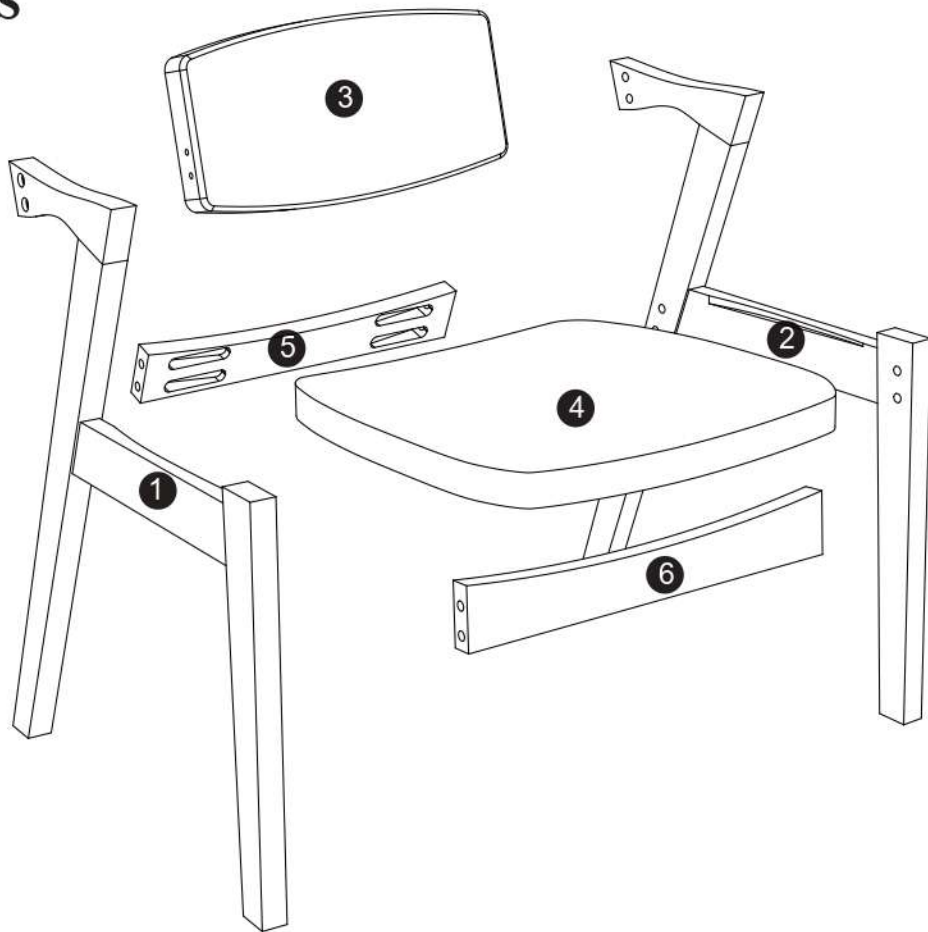


ASSEMBLY INSTRUCTIONS



PARTS



① X1	② X1	③ X1	④ X1	⑤ X1	⑥ X1

HARDWARE

Ⓐ M6*40	Ⓑ M6*50	Ⓒ	Ⓓ	Ⓔ M3.5*14	Ⓕ	Ⓖ
X4	X8	X1	X4	X8	X4	X4

Before that start...

Please check all hardware matches that list below.
 We strongly advise that you do not use power tools.
 We strongly advise that you tighten all screws to 80%
 and then re-tighten them to 100% after assembly.

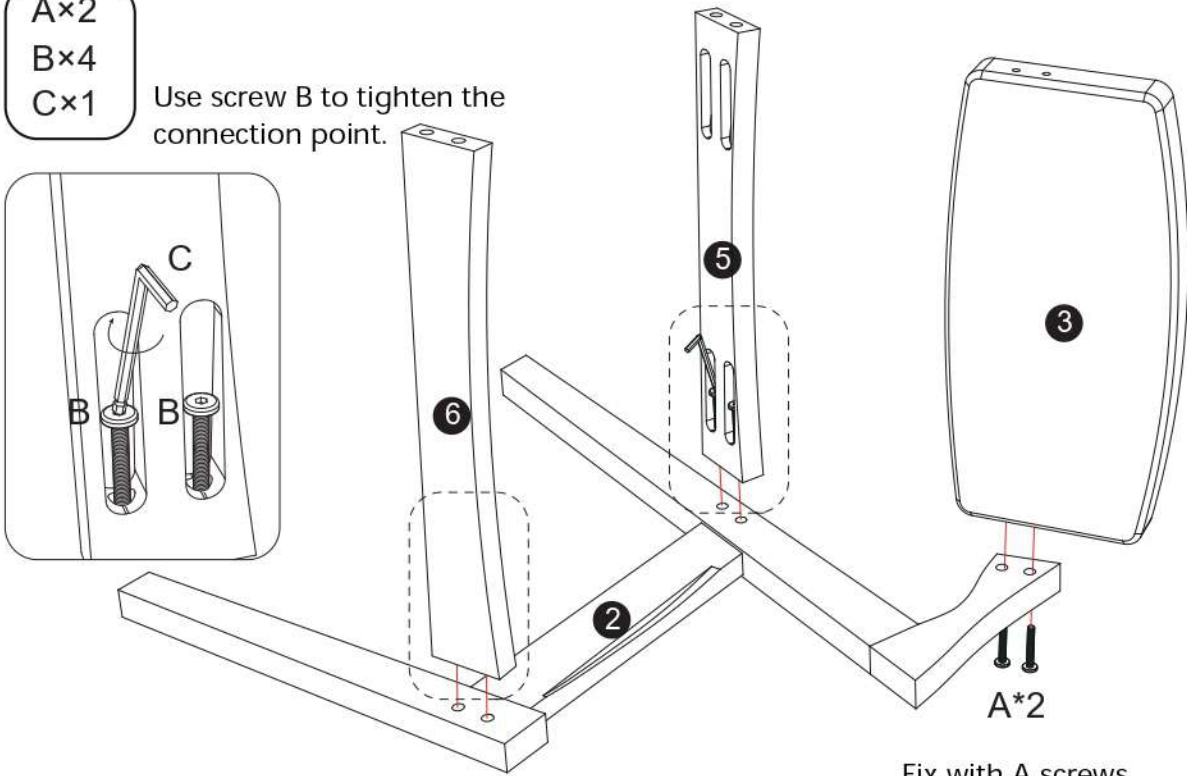


Do Not Use Power Tools

Step1

A×2
B×4
C×1

Use screw B to tighten the connection point.

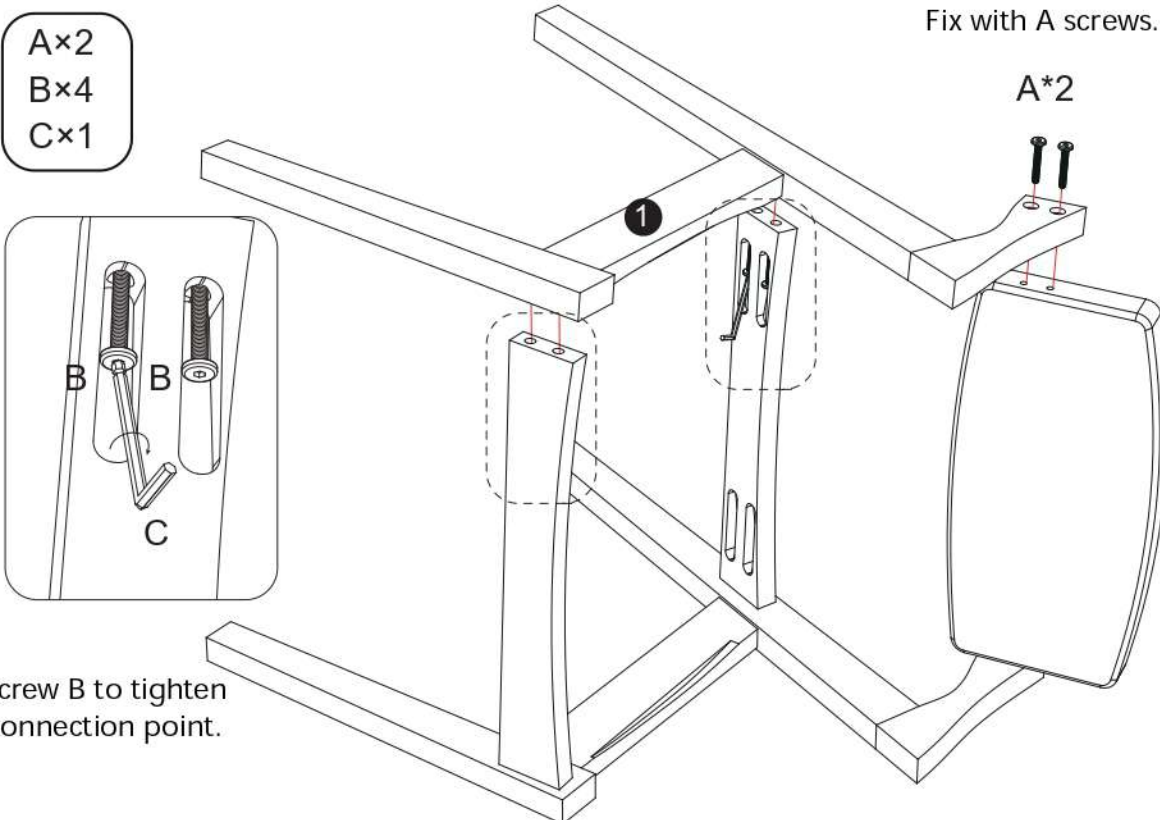


Fix with A screws.

Step2

A×2
B×4
C×1

Fix with A screws.

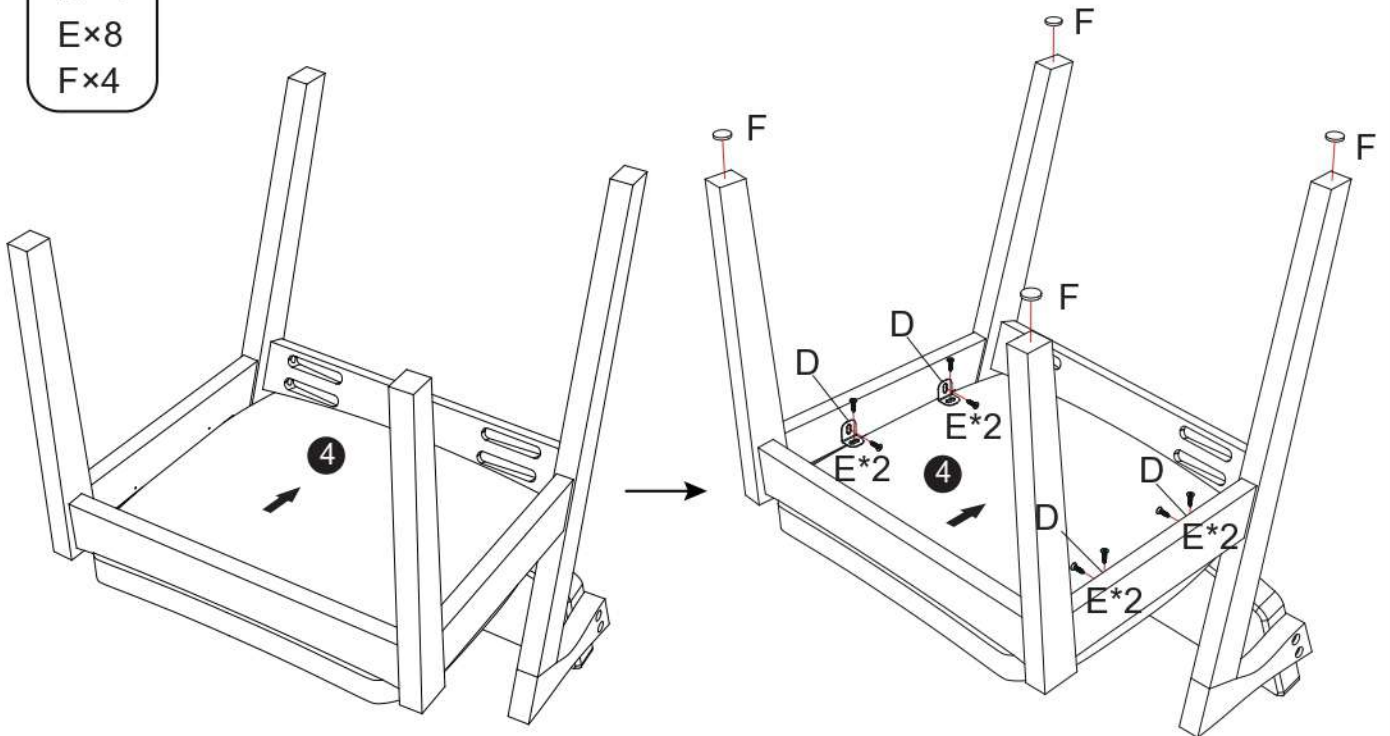


Use screw B to tighten the connection point.

Step3

- D×4
- E×8
- F×4

Paste Scratch-resistant pads



Place the seat cushion into the completed frame.

Placed parts D at the connection shown in the figure, and then tighten with screws E.

Step4

- G×4

