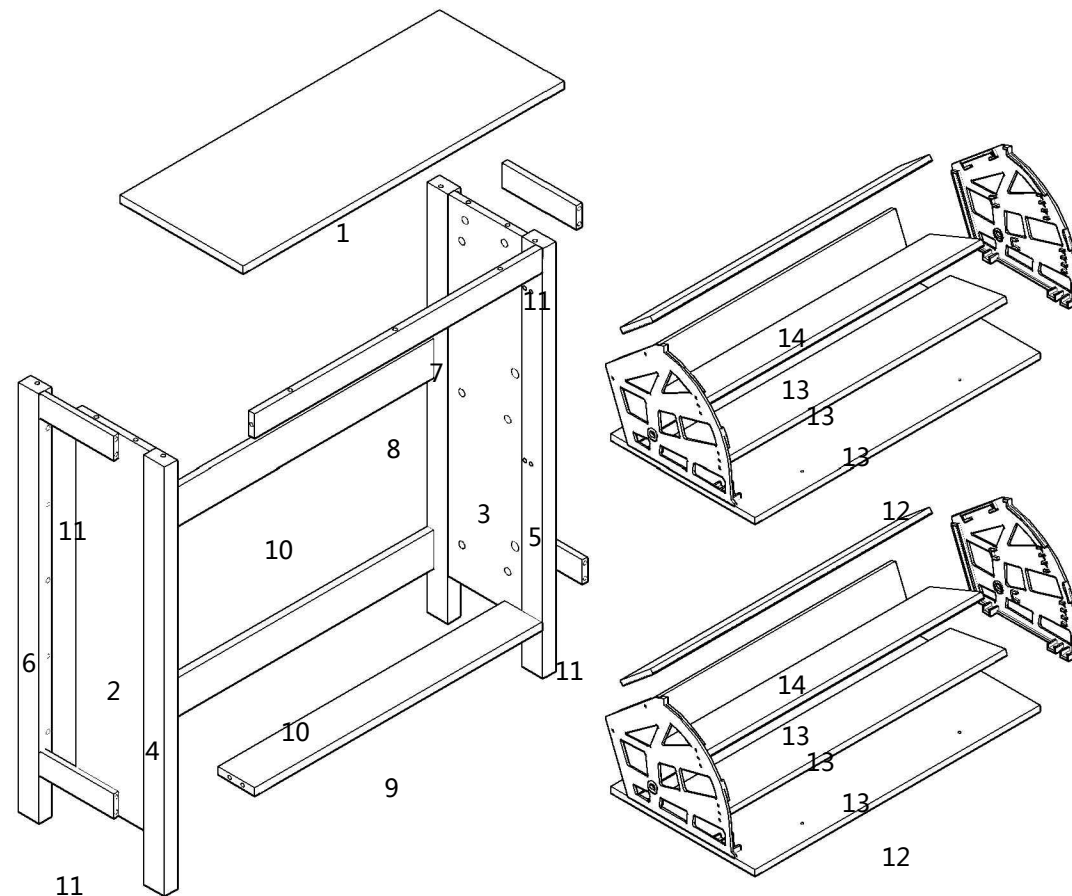
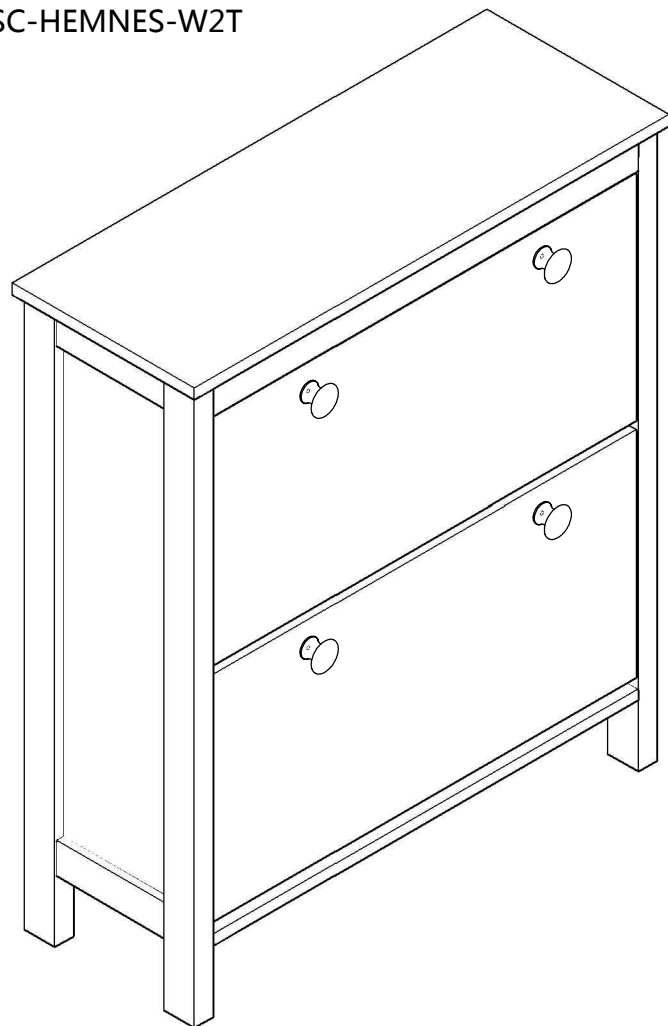


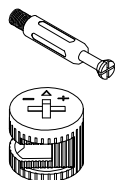
Hemnes Shoe cabinet with 2 doors

SC-HEMNES-W2T

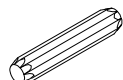


Before installation, please be sure to watch the assembly video. If the video cannot be viewed after scanning the QR code, please contact our customer service for assistance.

A 33+1pcs



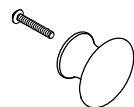
B 28+2pcs



C 28+2pcs
3.5*14



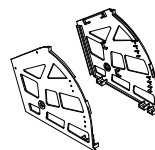
D 4pcs



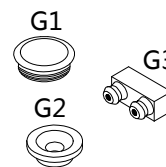
E 4pcs



F 2pcs



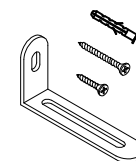
G 4pcs



H 4pcs
4*12



J 2pcs

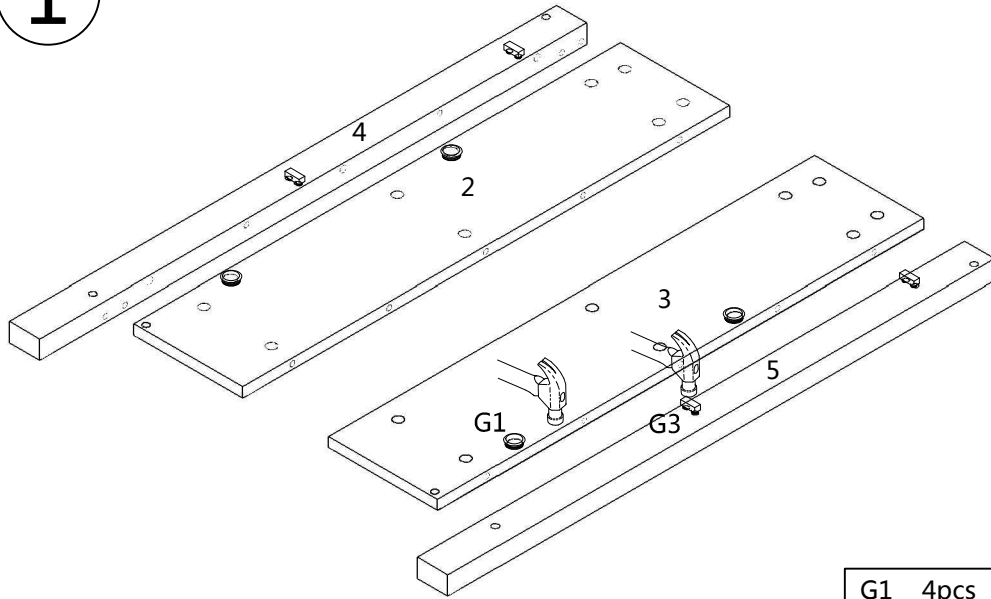


K +3pcs



1

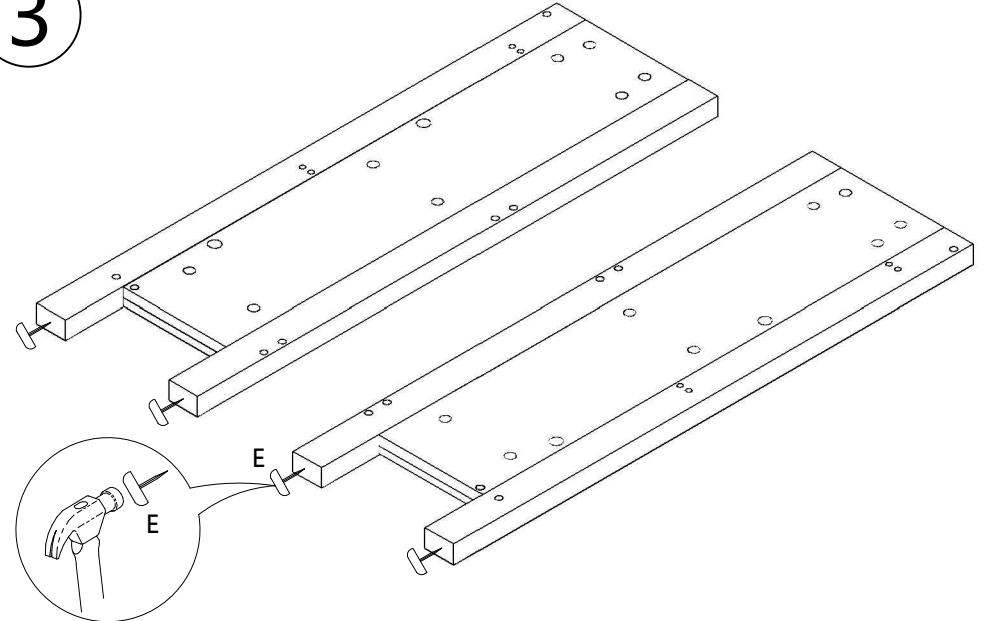
Attach hinge bases (G1, G3) to panels (2) and (3) as shown.



G1	4pcs
G3	4pcs

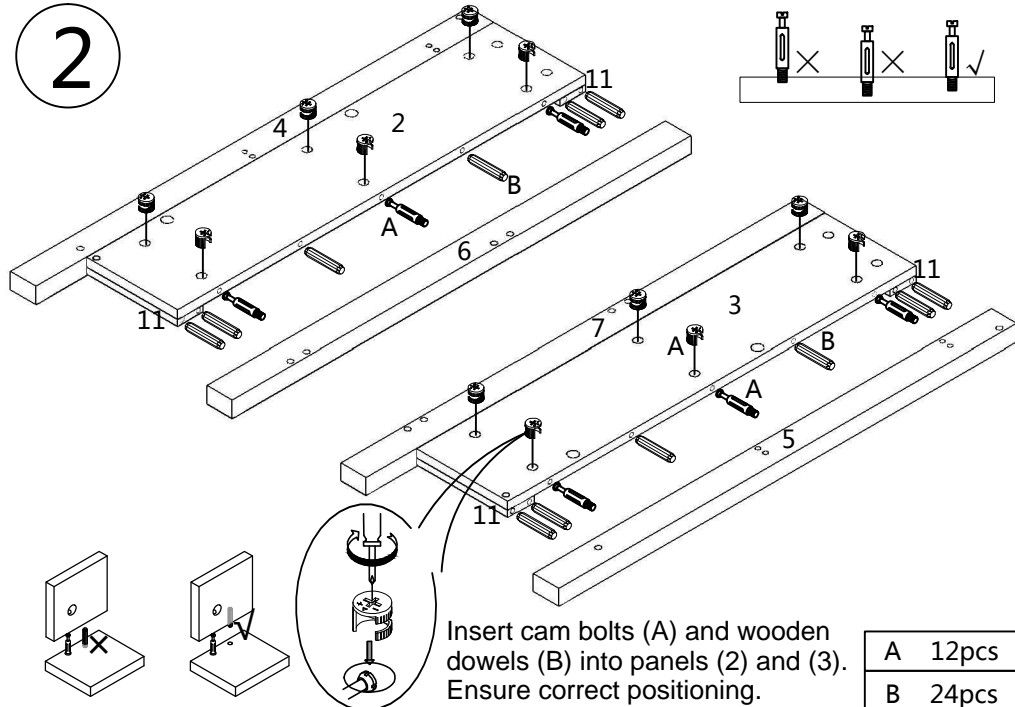
3

Attach the support blocks to the side panels using screws (E) as shown.



E	4pcs
---	------

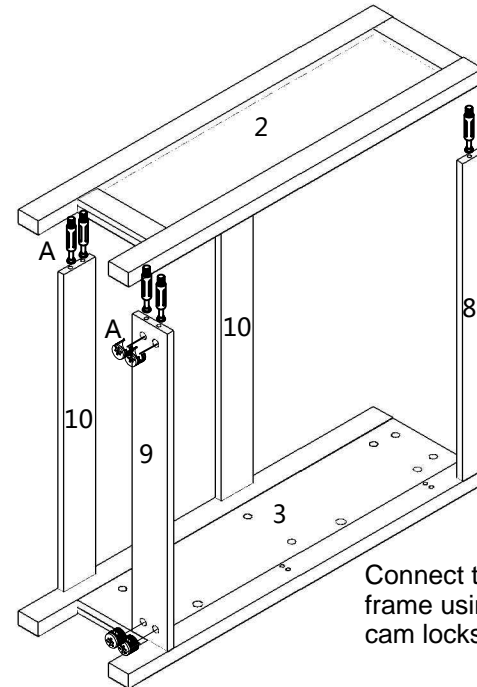
2



Insert cam bolts (A) and wooden dowels (B) into panels (2) and (3). Ensure correct positioning.

A	12pcs
B	24pcs

4

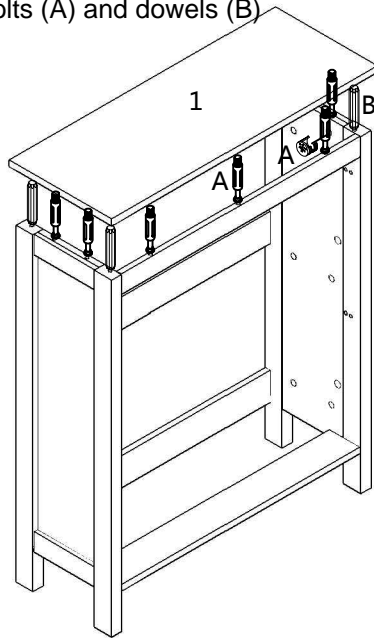


Connect the side panels (9, 10) to the frame using cam bolts (A). Tighten cam locks securely.

A	14pcs
---	-------

5

Attach the top panel (1) to the cabinet frame using cam bolts (A) and dowels (B)

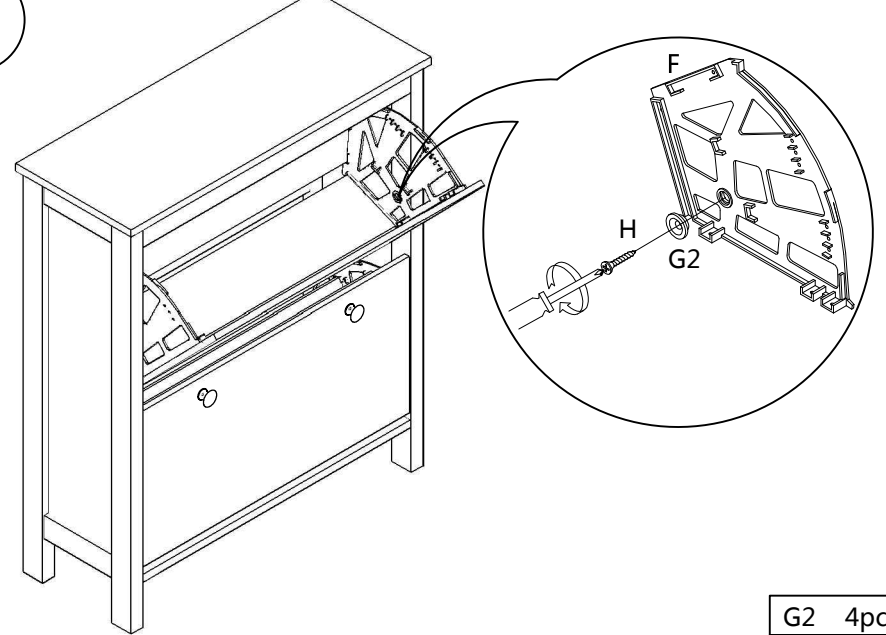


A 7pcs

B 4pcs

7

Install the assembled compartments into the cabinet frame.

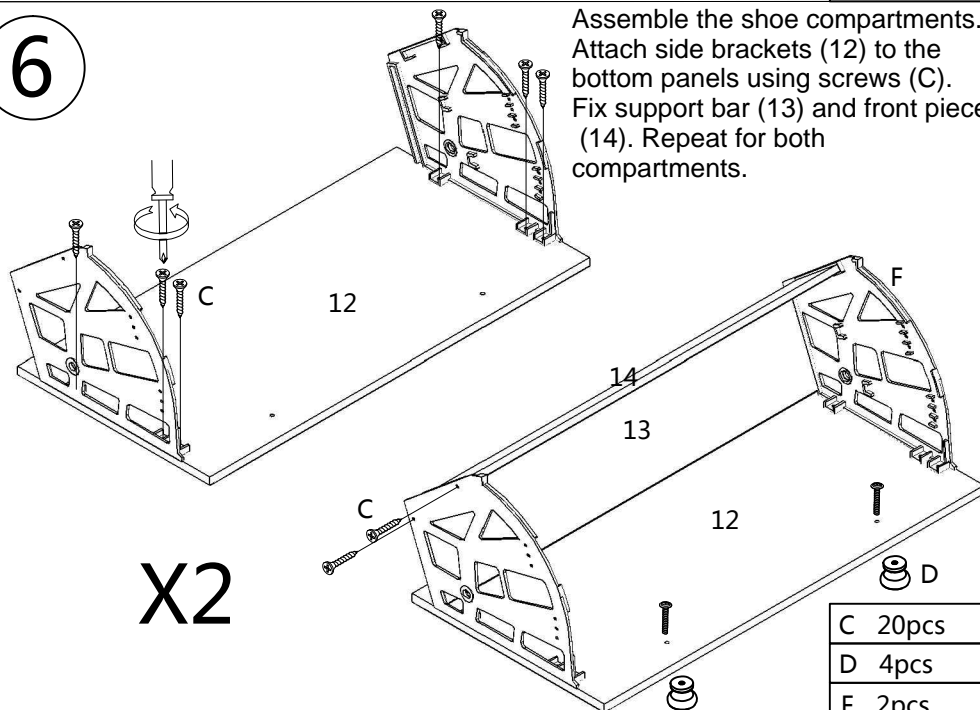


G2 4pcs

H 4pcs

6

Assemble the shoe compartments. Attach side brackets (12) to the bottom panels using screws (C). Fix support bar (13) and front piece (14). Repeat for both compartments.



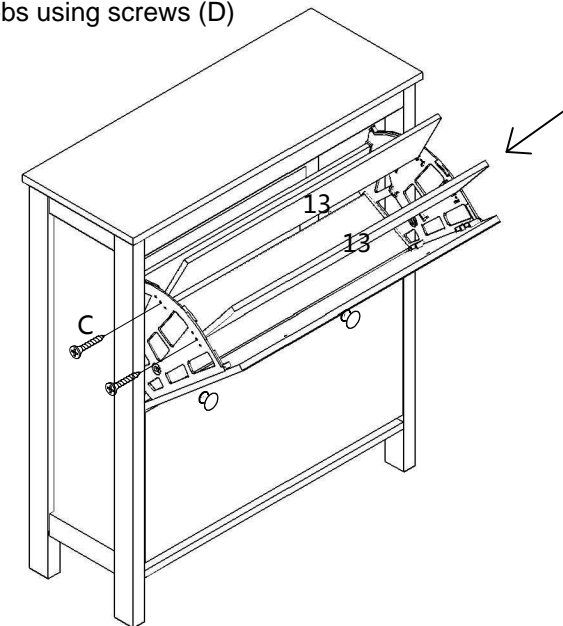
C 20pcs

D 4pcs

F 2pcs

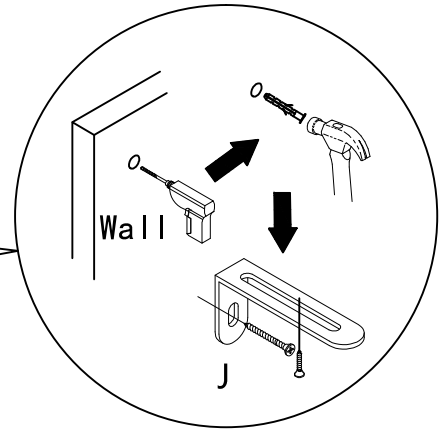
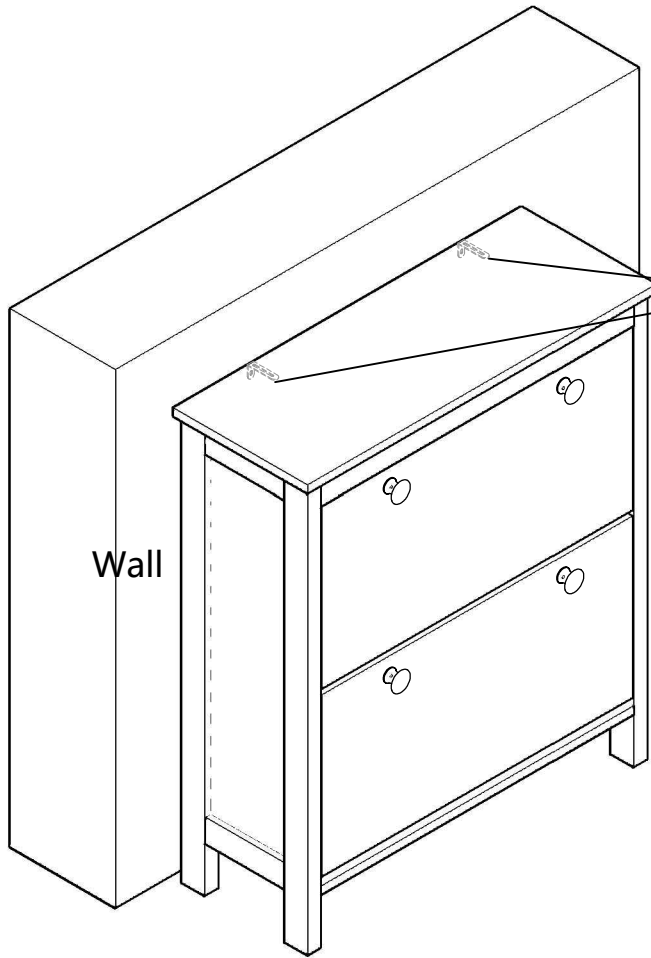
8

Secure the compartments to the cabinet sides using screws (C). Install the door knobs using screws (D)



C 8pcs

9

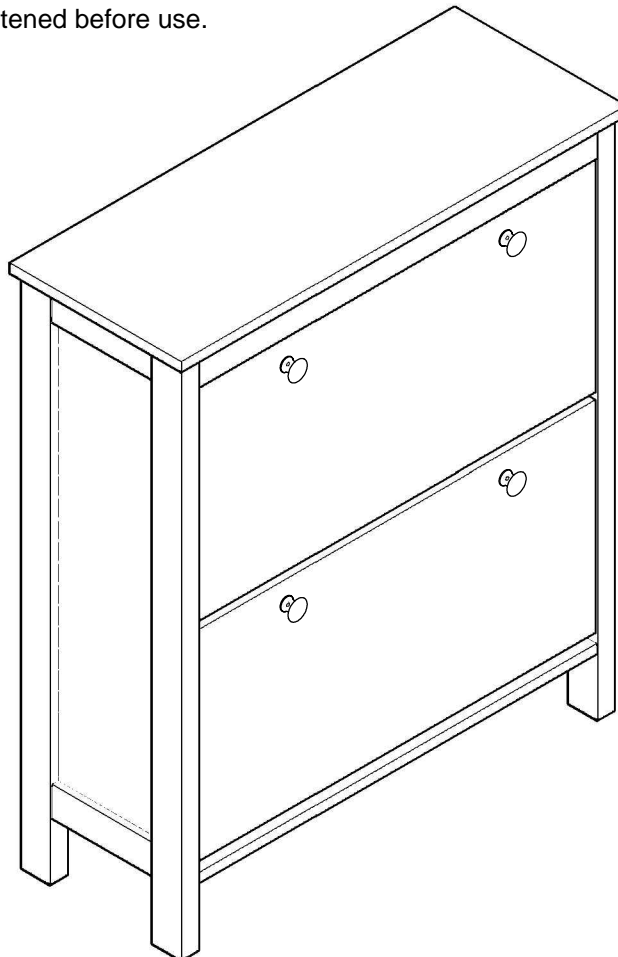


Fix the anti-tip brackets (J) to the back of the cabinet and secure it to the wall.

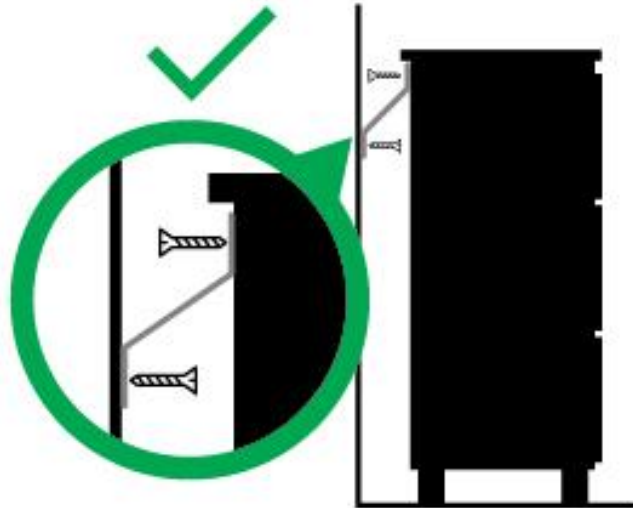
J 2pcs

10

Assembly is complete. Ensure all screws and cam locks are fully tightened before use.



WARNING



Children have died from furniture tipover.

- ALWAYS secure this furniture with an anchor device.
- NEVER allow children to stand, climb or hang on drawers, doors, or shelves.