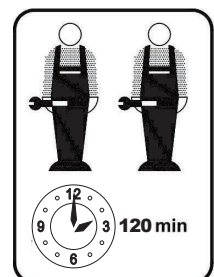
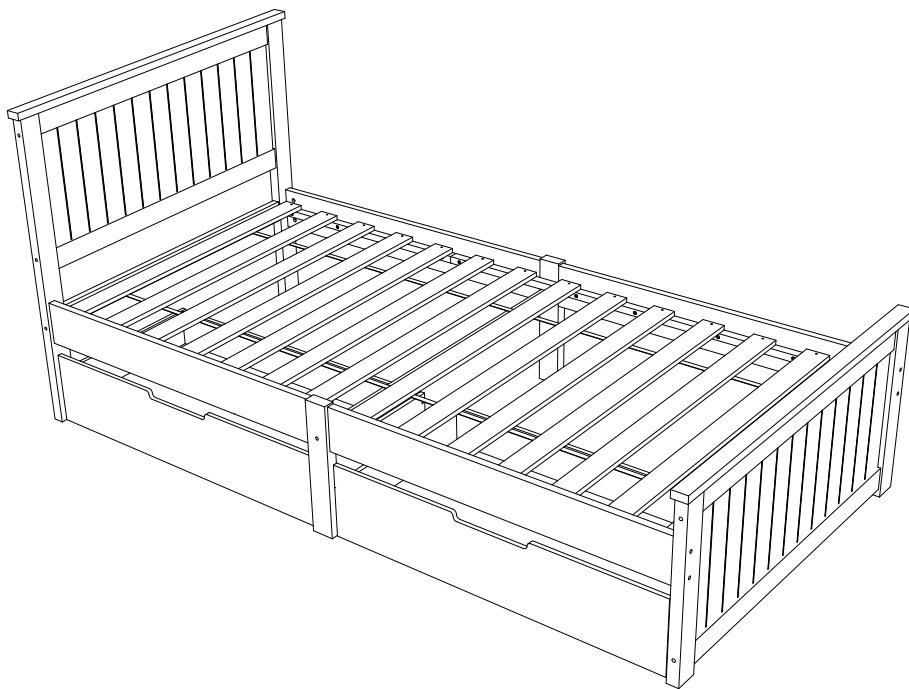


ASSEMBLY INSTRUCTIONS

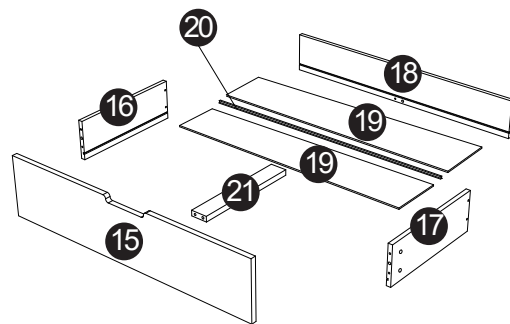
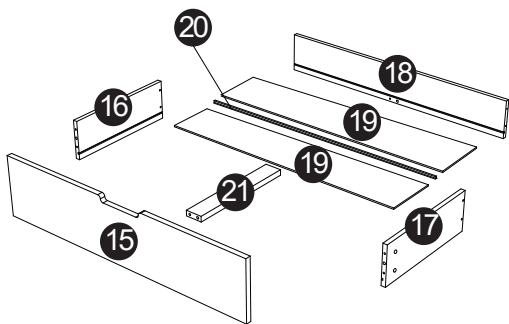
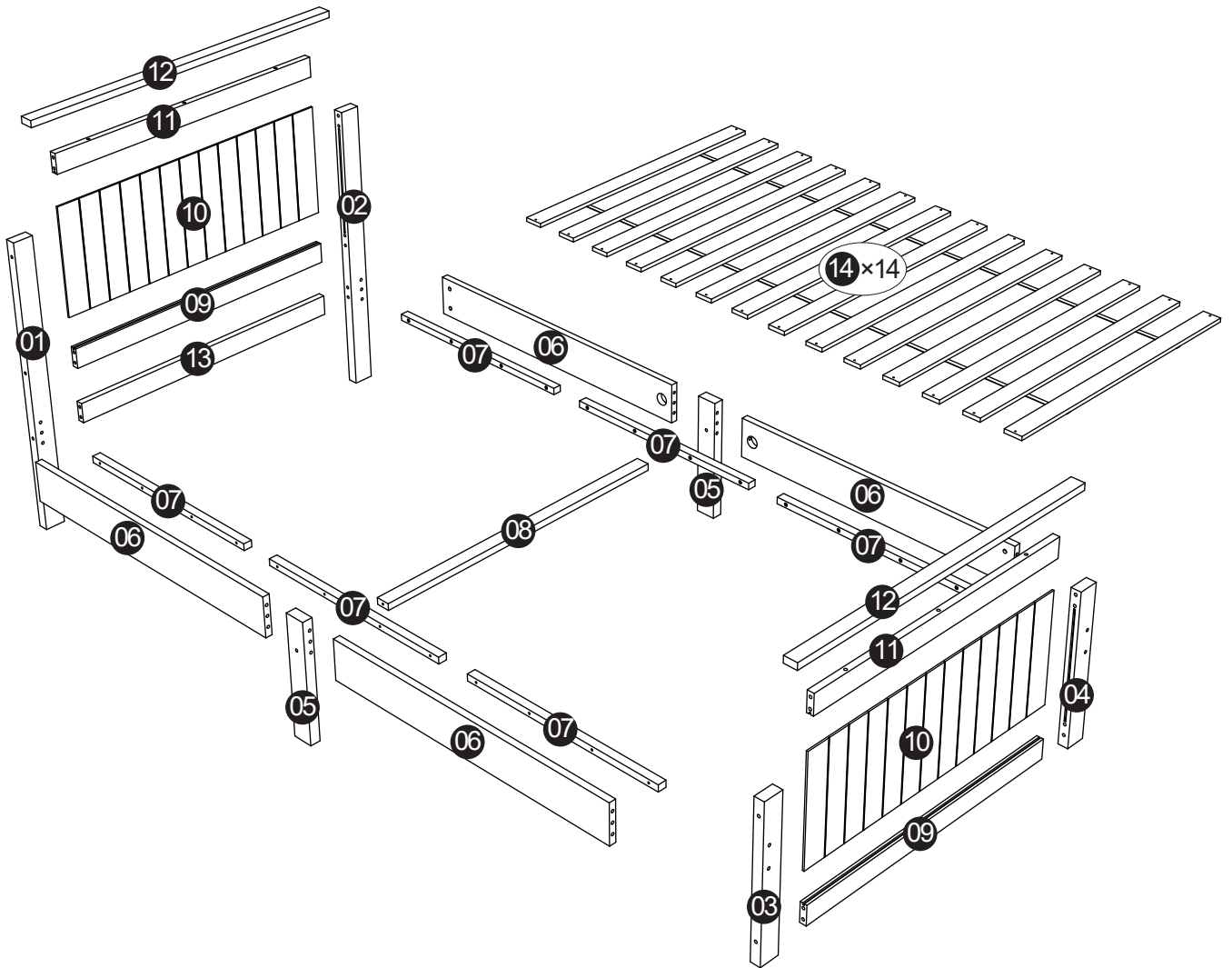
BF-COCO-SSN








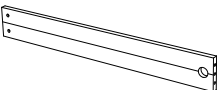
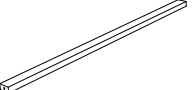
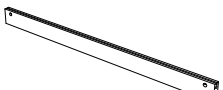
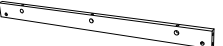


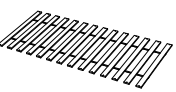
SAFETY WARNINGS

- 1.WARNING " high beds can present a serious risk of injury from strangulation if not used correctly. Never attach or hang items to any part of the bed that are not designed to be used with the bed, for example, but not limited to ropes, strings, cords, hooks, belts and bags"
- 2.WARNING " Children are not allowed to hang from the top of the bed by their hands"
- 3.Do not allow horseplay on the bed and prohibit jumping on the bed.
- 4.The bed must be used with mattress.The recommended size of the mattress to be used with the bed is **92cm x 188cm**.
- 5.The fastenings put in place on assembly should all be properly tightened and regularly checked.Retighten the fastenings as necessary.
- 6.2 people are recommended to finish.

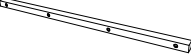
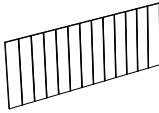
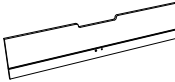
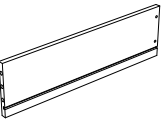
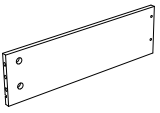
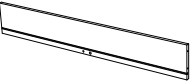


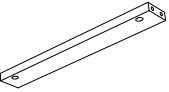
PARTS



BF-COCO-SSN-21










01x1 	02x1 	03x1 	04x1 	05x2 
06x4 	08x1 	09x2 	11x2 	12x2 
13x1 	14x1 			








BF-COCO-SSN-22

07x6 	10x2 	15x2 	16x2 	17x2 
18x2 	19x4 	20x2 	21x2 	

HARDWARE

(Find in BF-COCO-SSN-21)

A	 M6 x 100mm	10
B		18
C	 $\Phi 8 \times 30\text{mm}$	30
D		1
E		18
F		18
G	 M6 x 160mm	2
H		4
I		2

J	 $\Phi 4 \times 30\text{mm}$	52
K	 M6 x 70mm	8
L	 $\Phi 6 \times 60\text{mm}$	2
M	 $\Phi 4 \times 40\text{mm}$	8
N		8
O	 $\Phi 3.5 \times 16\text{mm}$	16
P	 (Natural)	6

Before that start...

Please check all hardware matches that list below.

We strongly advise that you do not use power tools.

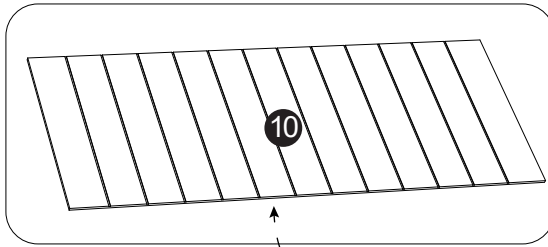
We strongly advise that you tighten all screws to 80% and then re-tighten them to 100% after assembly.



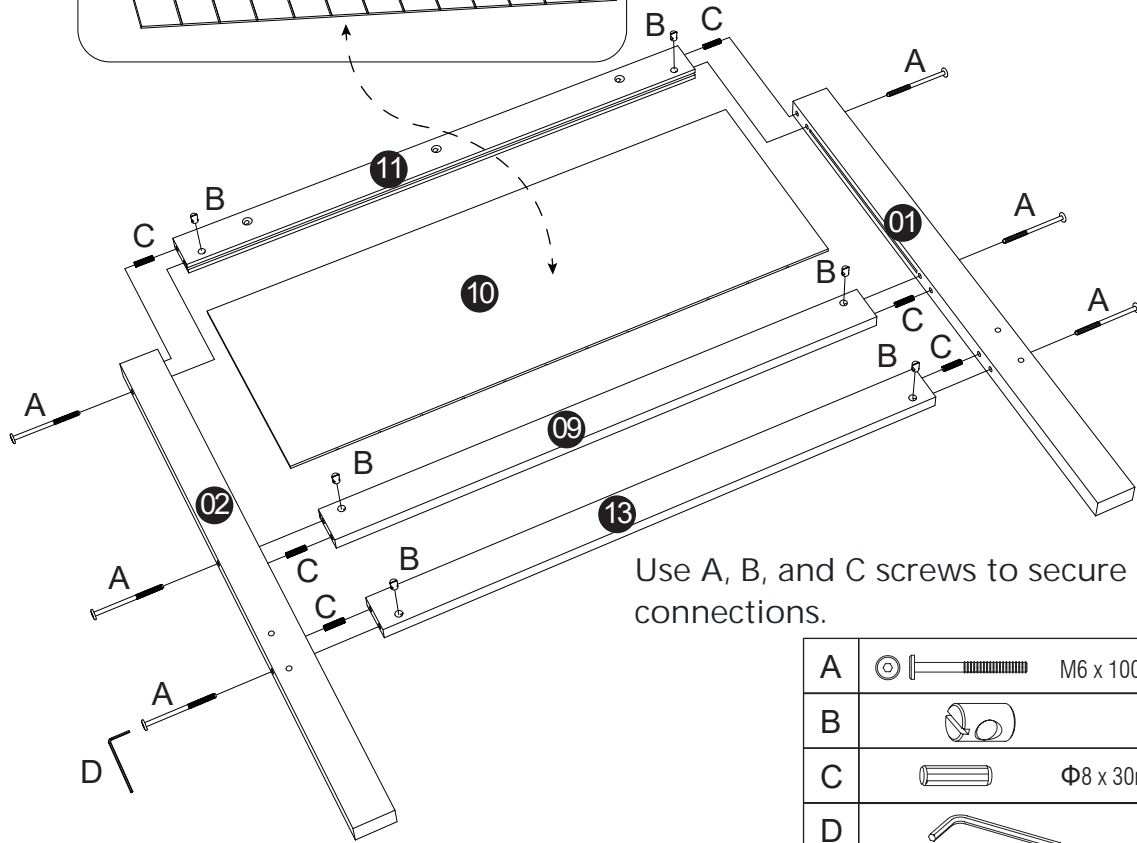
Do Not Use Power Tools

Step1





Head End



Assemble the components shown in the diagram. Align the pre-drilled holes accurately.

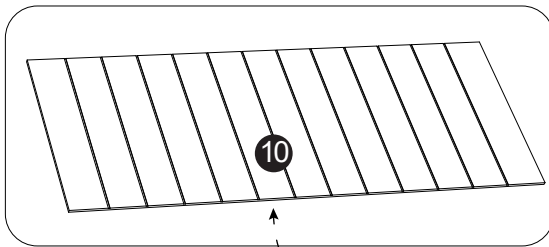


Use A, B, and C screws to secure the connections.

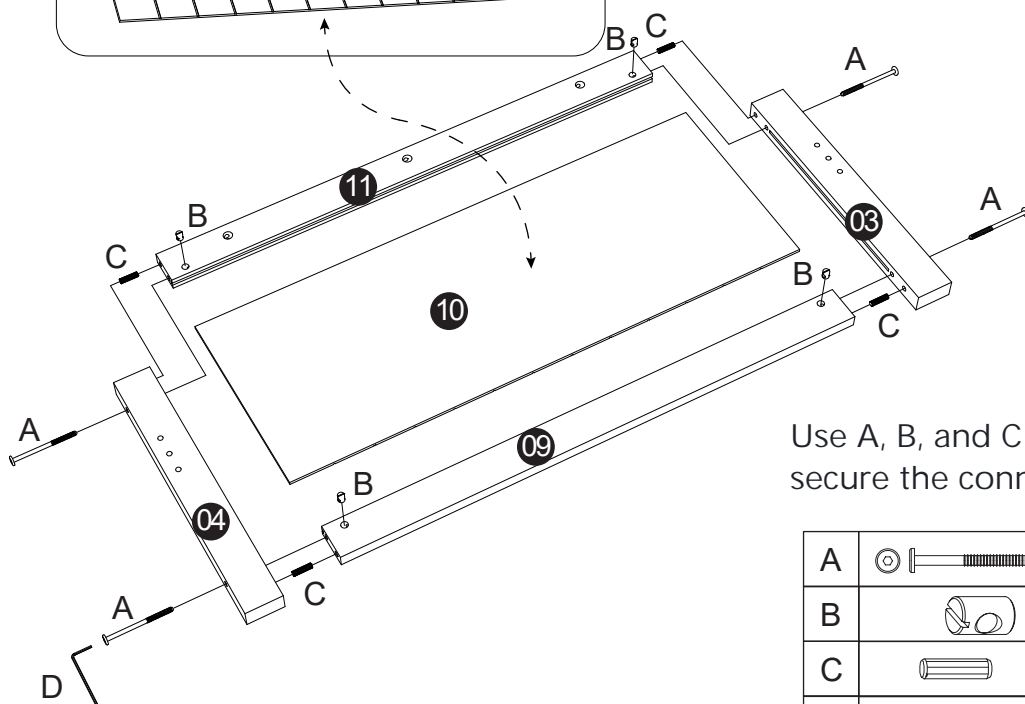
A		M6 x 100mm	6
B			6
C		Φ8 x 30mm	6
D			1

Step2





FootEnd



Assemble the components shown in the diagram. Align the pre-drilled holes accurately.

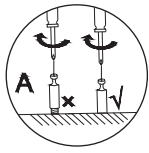
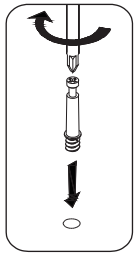


Use A, B, and C screws to secure the connections.

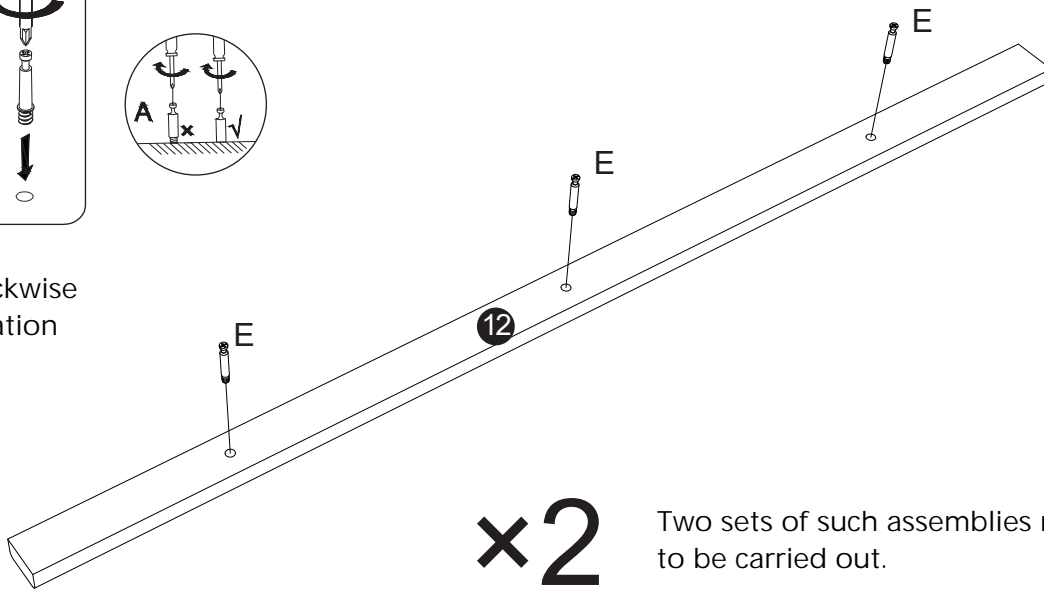
A		M6 x 100mm	4
B			4
C		Φ8 x 30mm	4
D			1

Step3

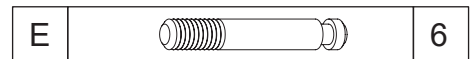
Tighten the screws to 50% as advised.



clockwise
rotation

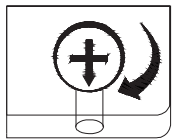
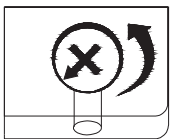


Two sets of such assemblies need
to be carried out.

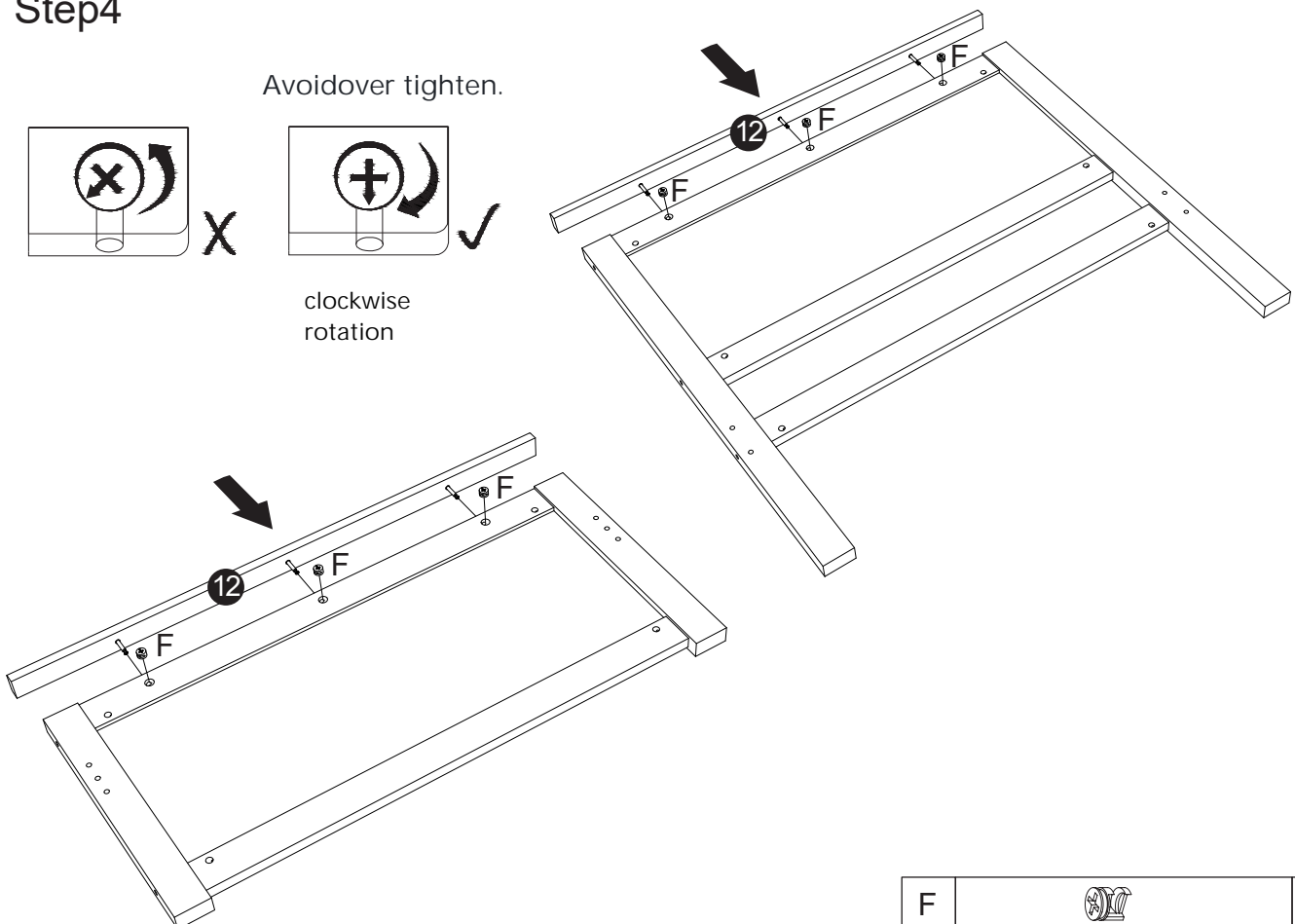


Step4

Avoid over tighten.

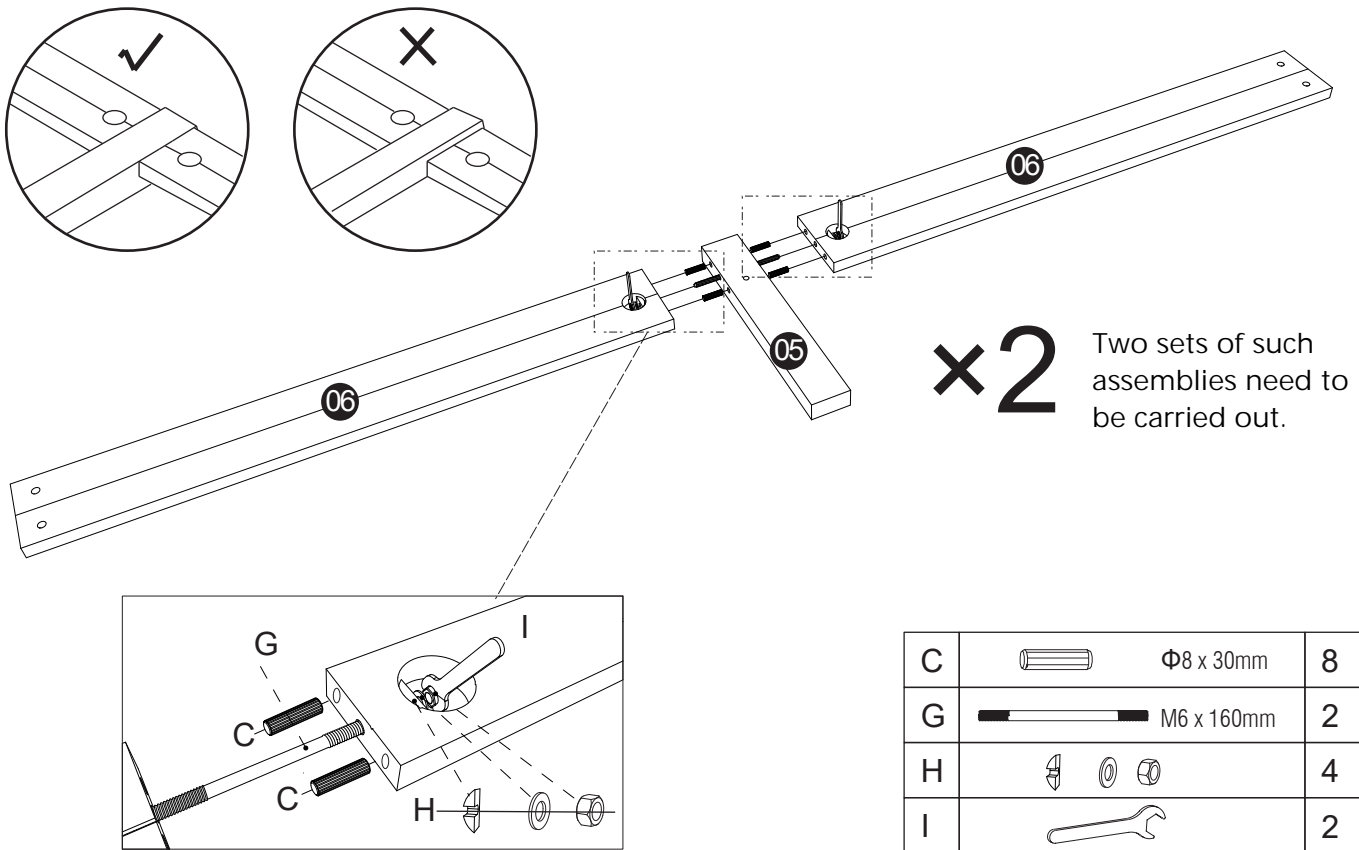


clockwise
rotation



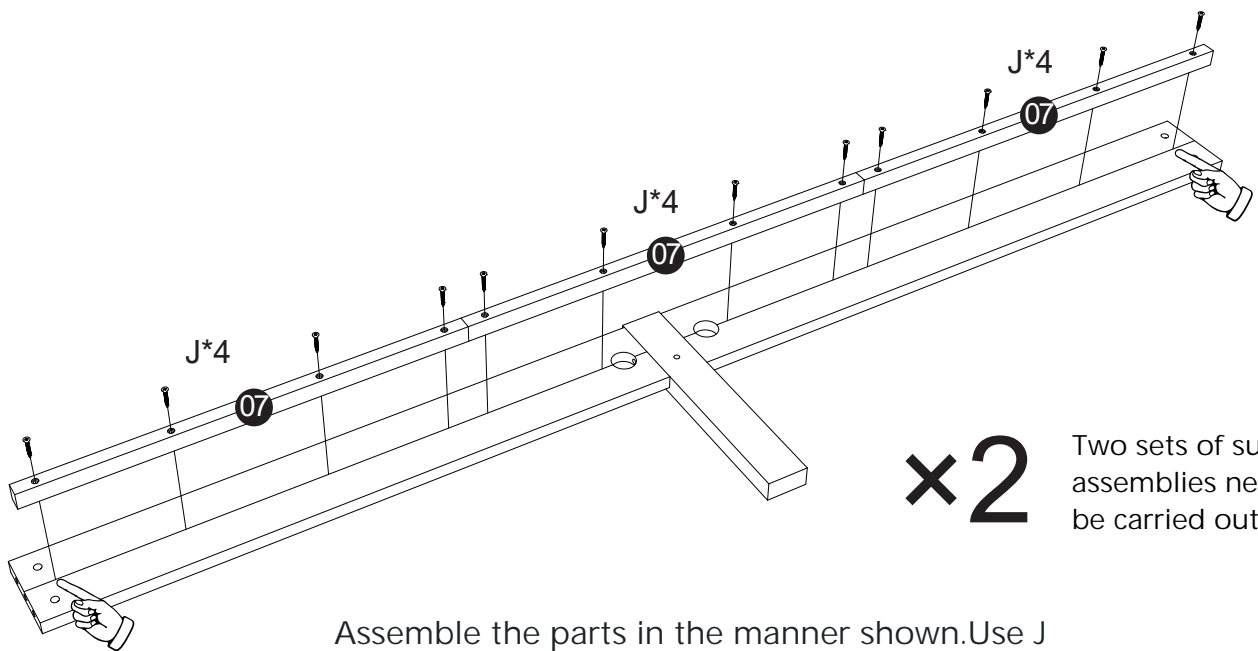
Step5

Use G, C to secure the connections. Attach H as indicated. Tighten the screws firmly.



×2 Two sets of such assemblies need to be carried out.

Step6

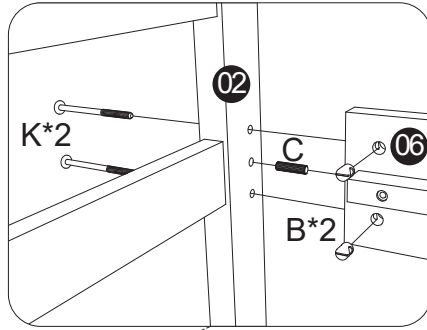


×2 Two sets of such assemblies need to be carried out.

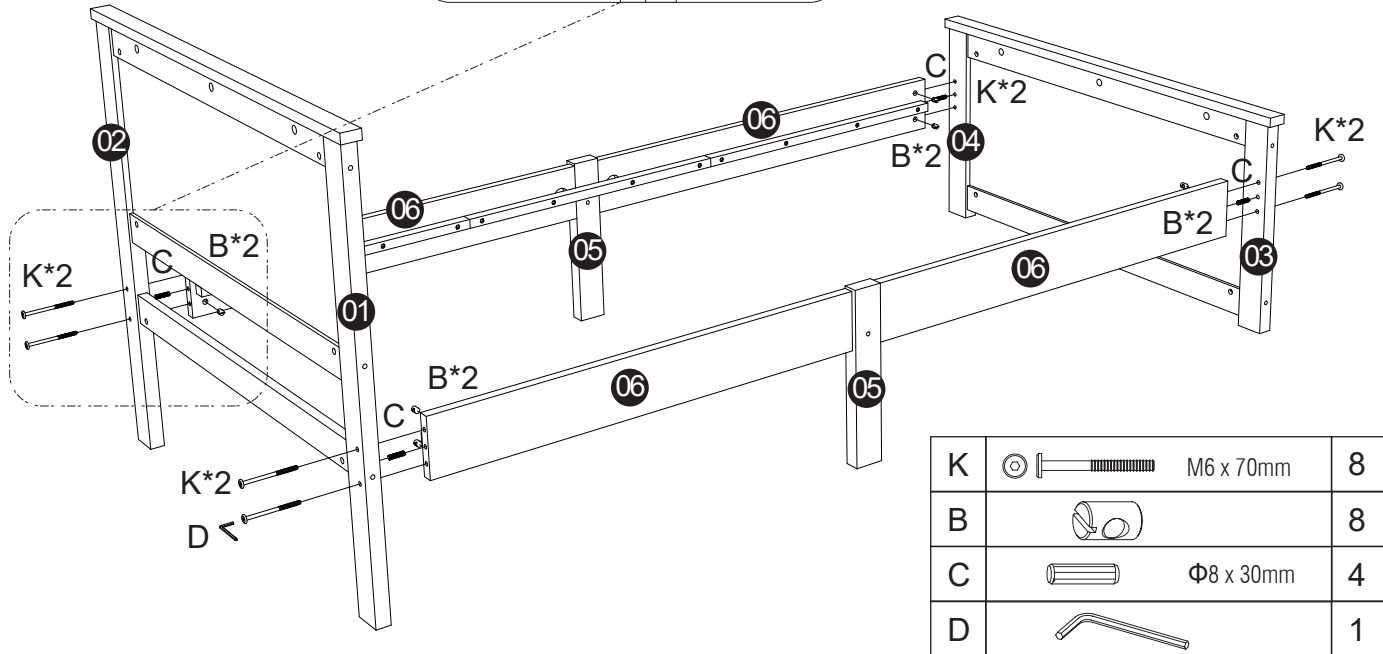
Assemble the parts in the manner shown. Use J screws to secure the connections.


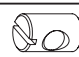


J		Φ4x30mm	24
---	--	---------	----

Step7



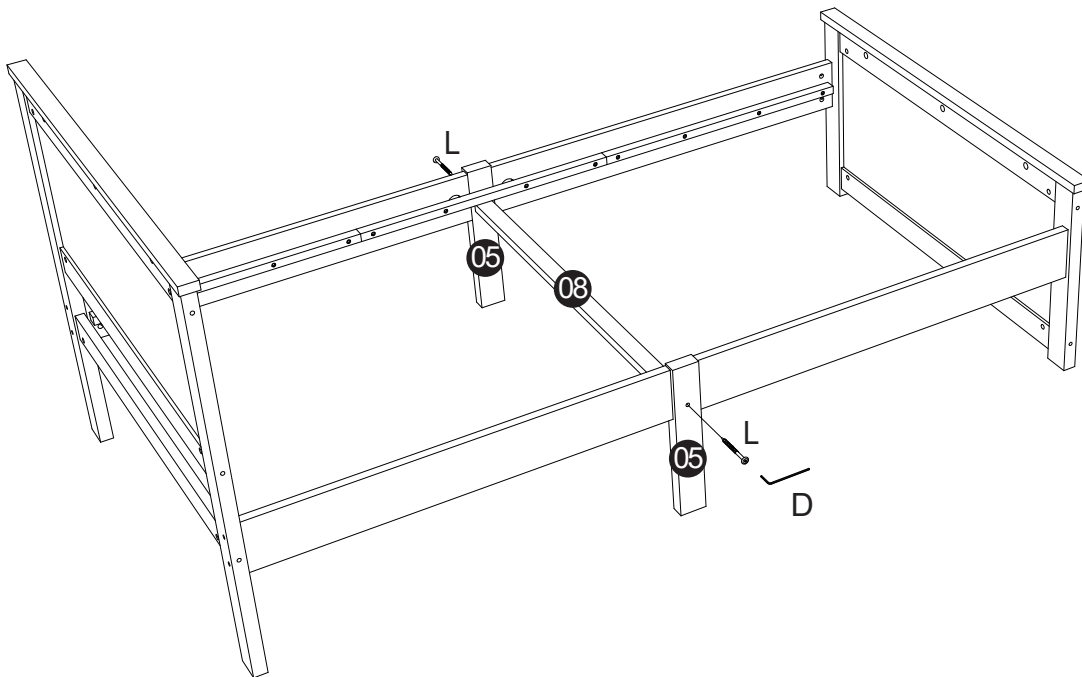
Assemble the head-end and foot-end into the structure according to the diagram. Tighten with K,B and C screws.





K		M6 x 70mm	8
B			8
C		Φ8 x 30mm	4
D			1

Step8

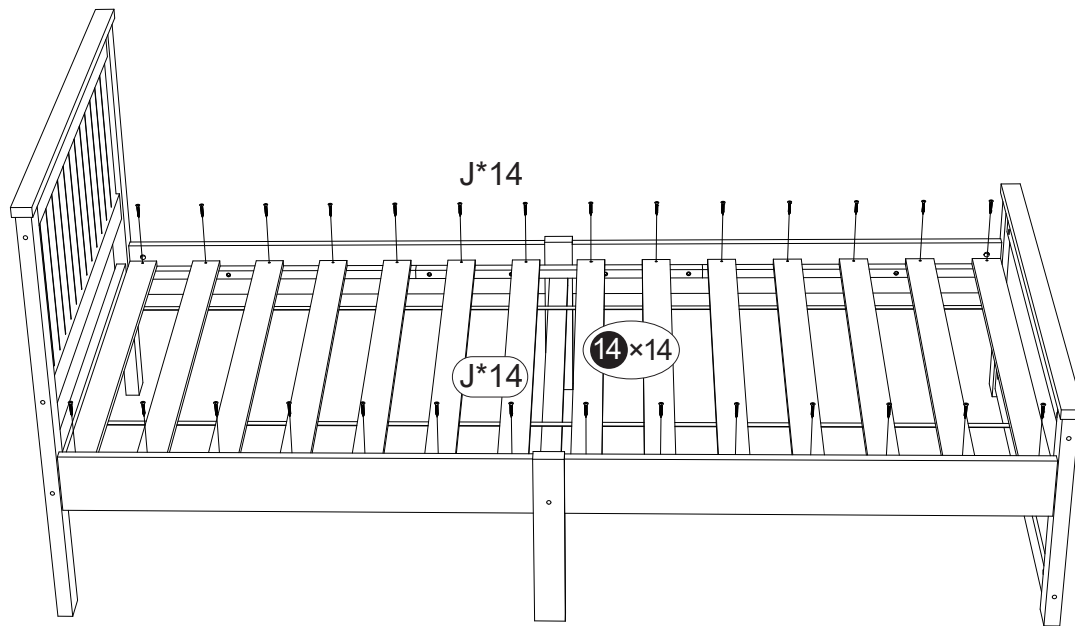
Use D screws to secure the connections.




D			1
L		Φ6 x 60mm	2

Step9

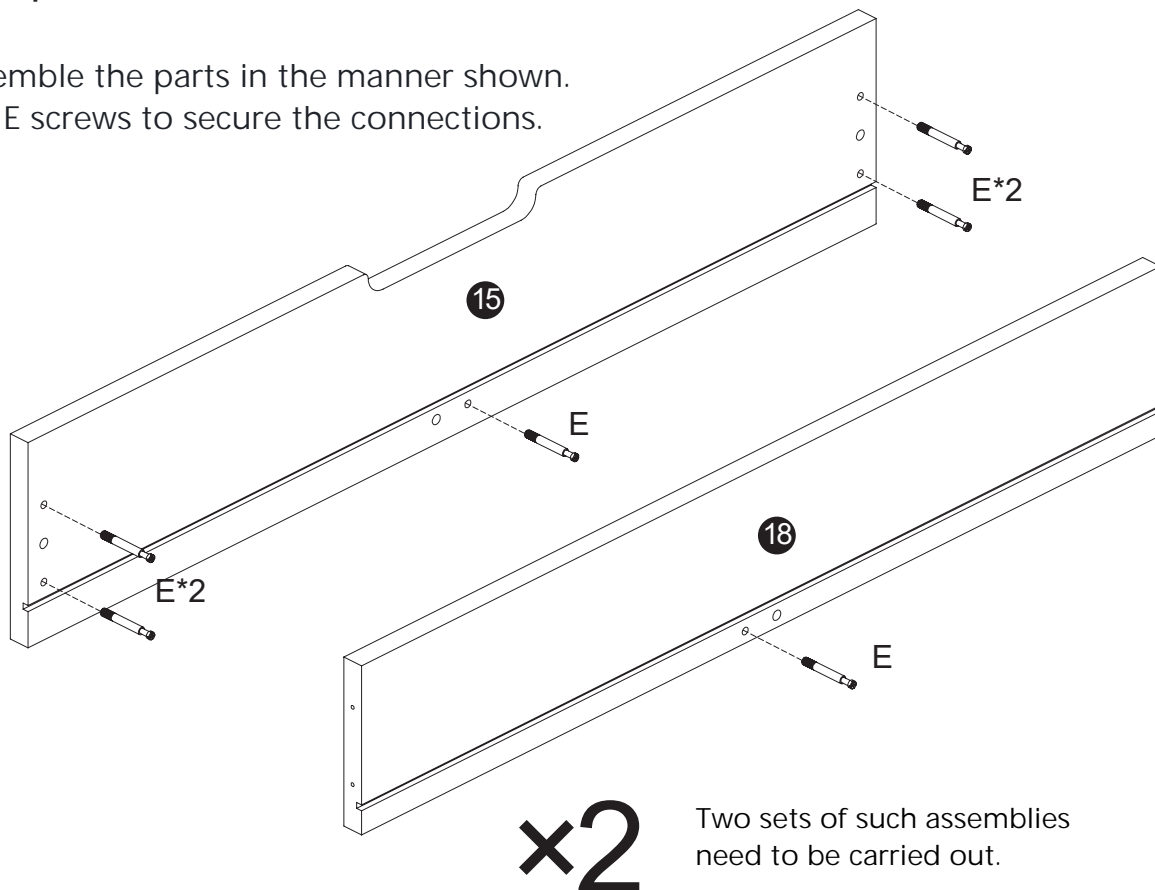
Assemble the parts in the manner shown. Use J screws to secure the connections.



J		Φ4x30mm	28
---	---------------------------------------------------------------------------------------	---------	----

Step10

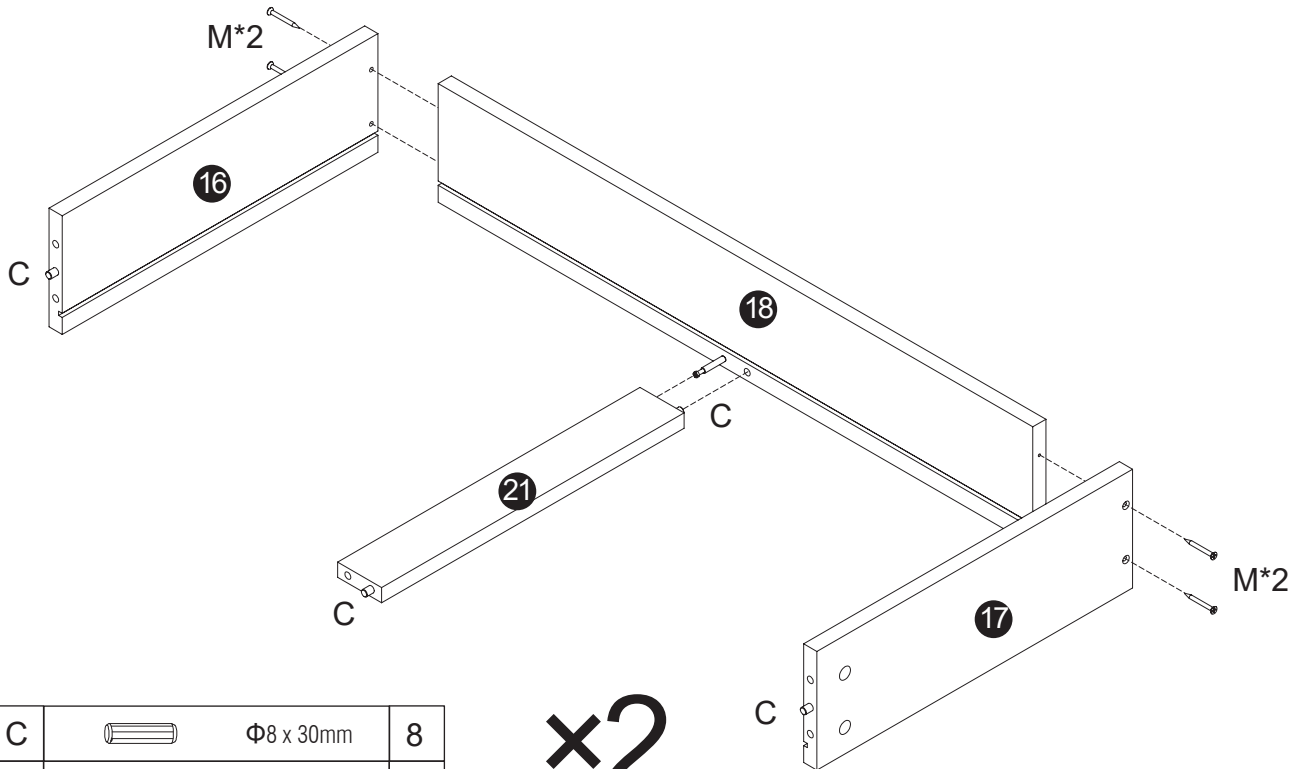
Assemble the parts in the manner shown. Use E screws to secure the connections.





E		12
---	---------------------------------------------------------------------------------------	----

Step11

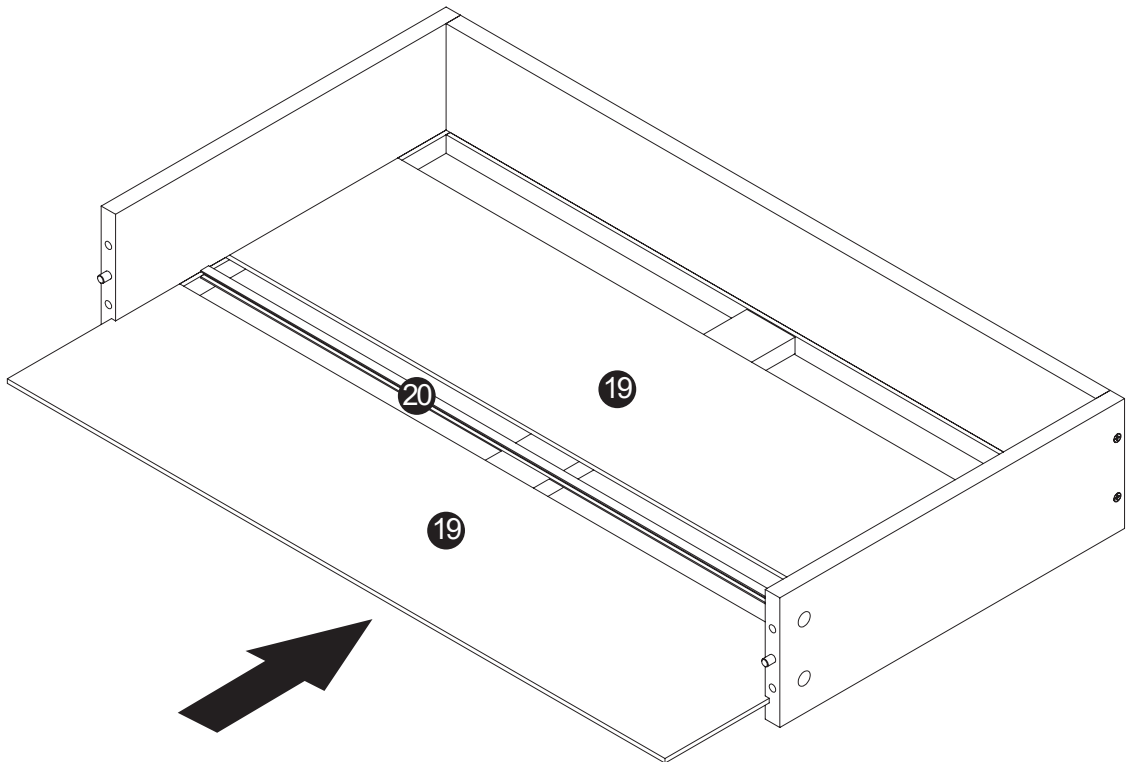
Assemble the parts in the manner shown. Use C ,M screws to secure the connections.



C		Φ8 x 30mm	8
M		Φ4 x 40mm	8

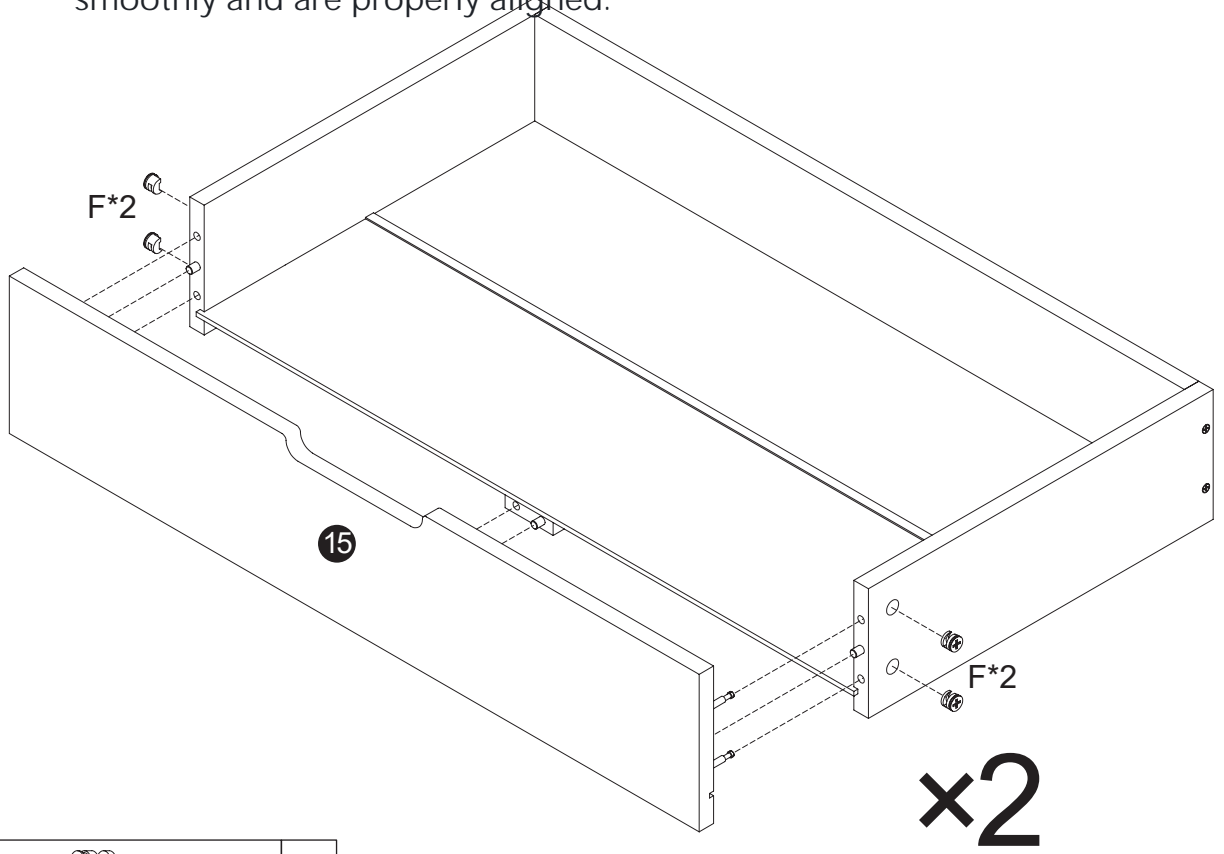
Two sets of such assemblies need to be carried out.

Step12



x2 Two sets of such assemblies need to be carried out.

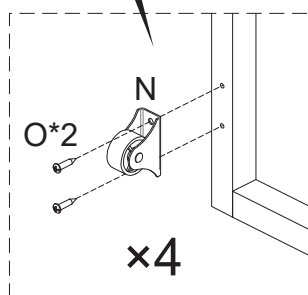
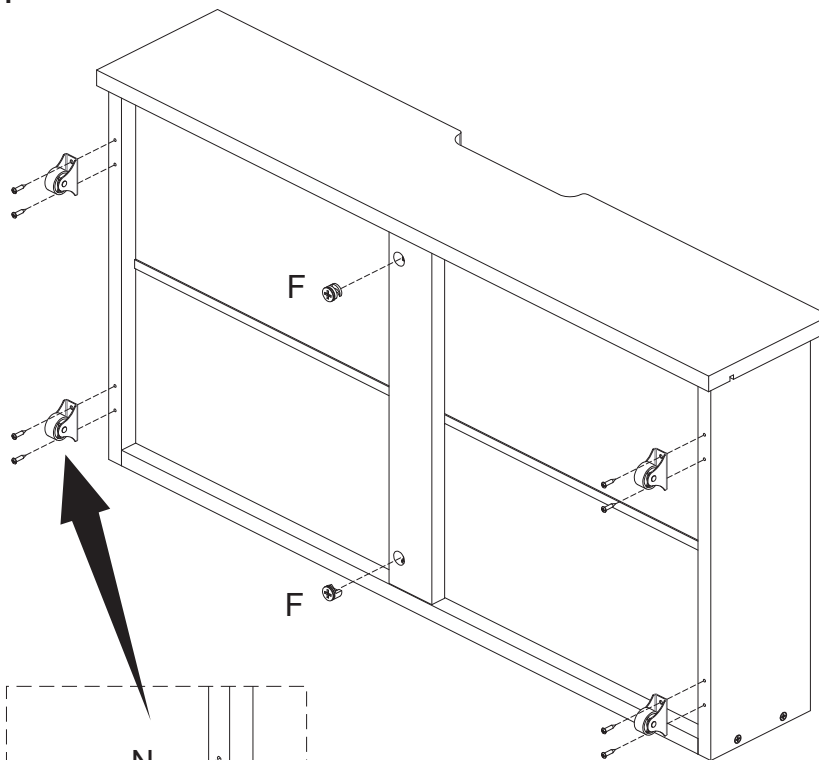
Step13 Install the components into the main structure. Ensure it can slide smoothly and are properly aligned.






F		8
---	-------------------------------------------------------------------------------------	---

Two sets of such assemblies need to be carried out.

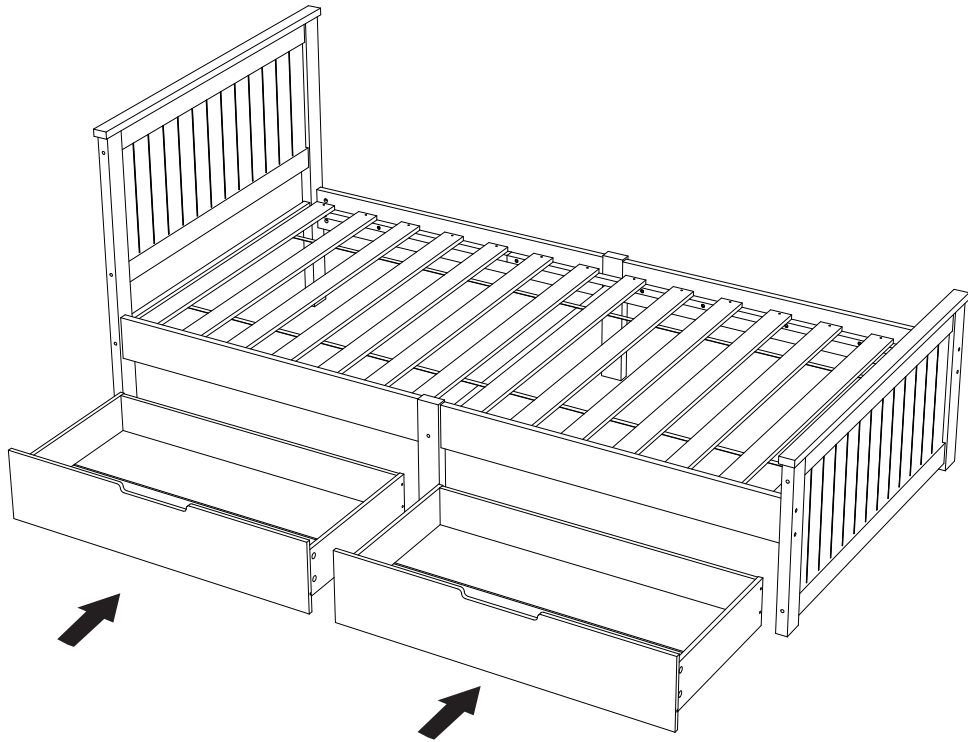
Step14



Assemble the parts in the manner shown. Use O ,F screws to secure the connections.

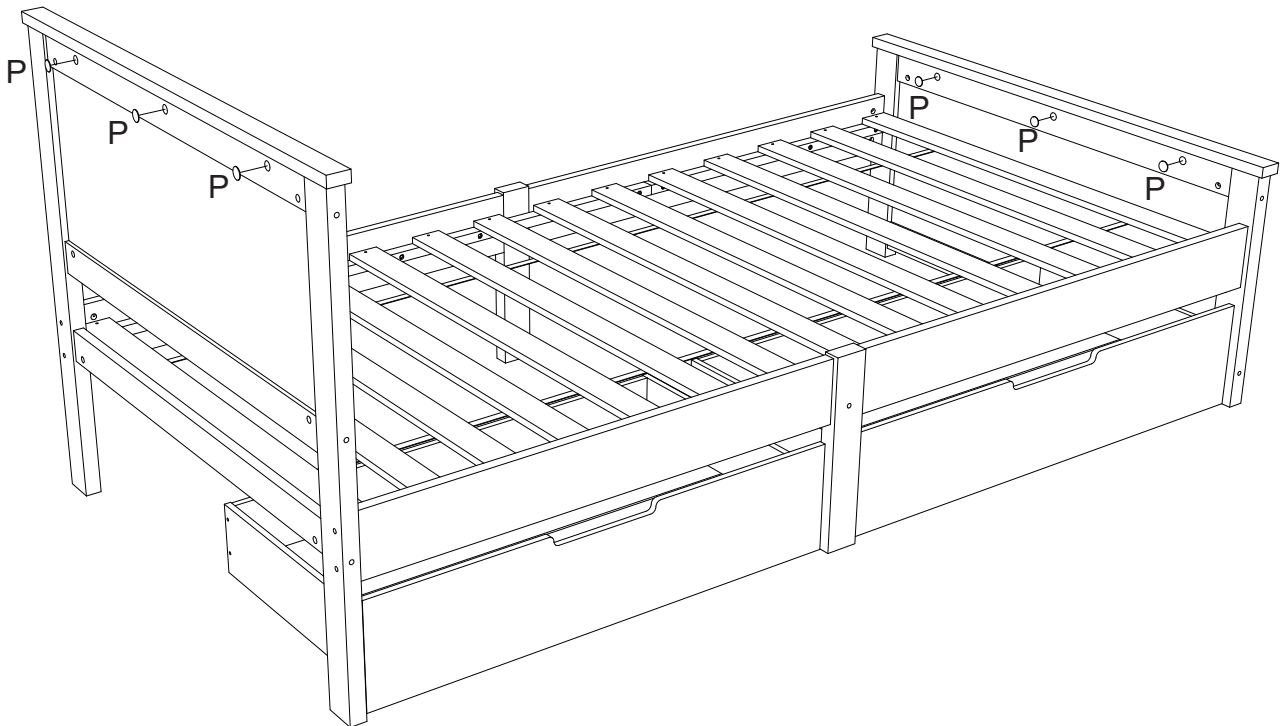
F		4
N		8
O	 $\Phi 3.5 \times 16$	16

Step15



Put the drawers into the bottom of the bed.

Step16



P	 (Natural)	6
---	-------------------------------------------------------------------------------------------------	---

FINISH

