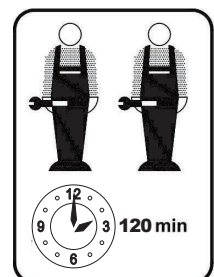
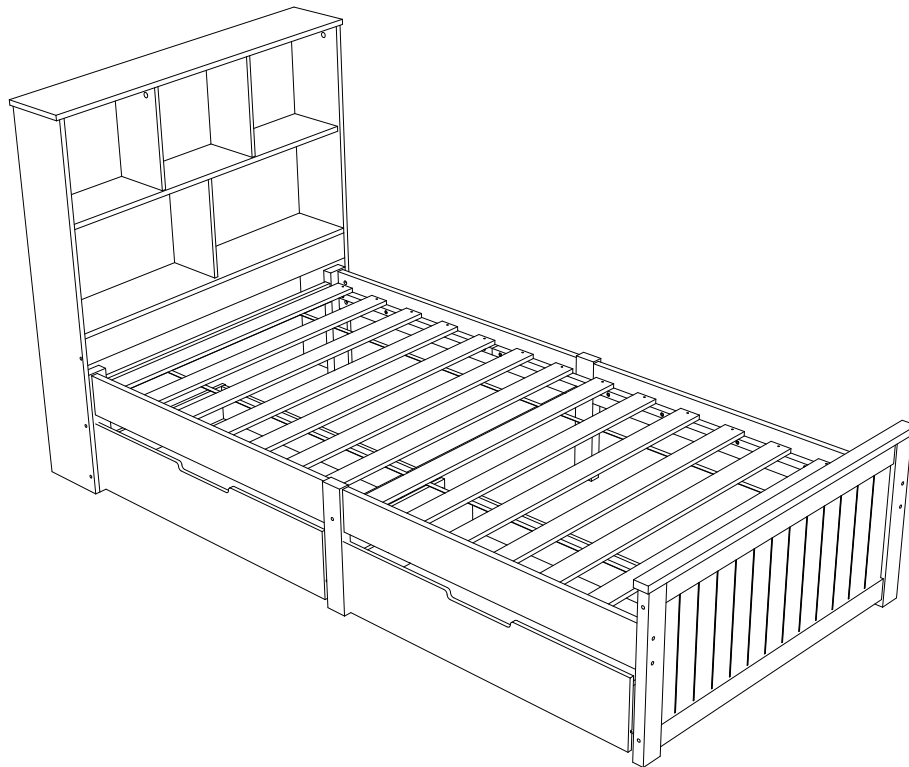


ASSEMBLY INSTRUCTIONS

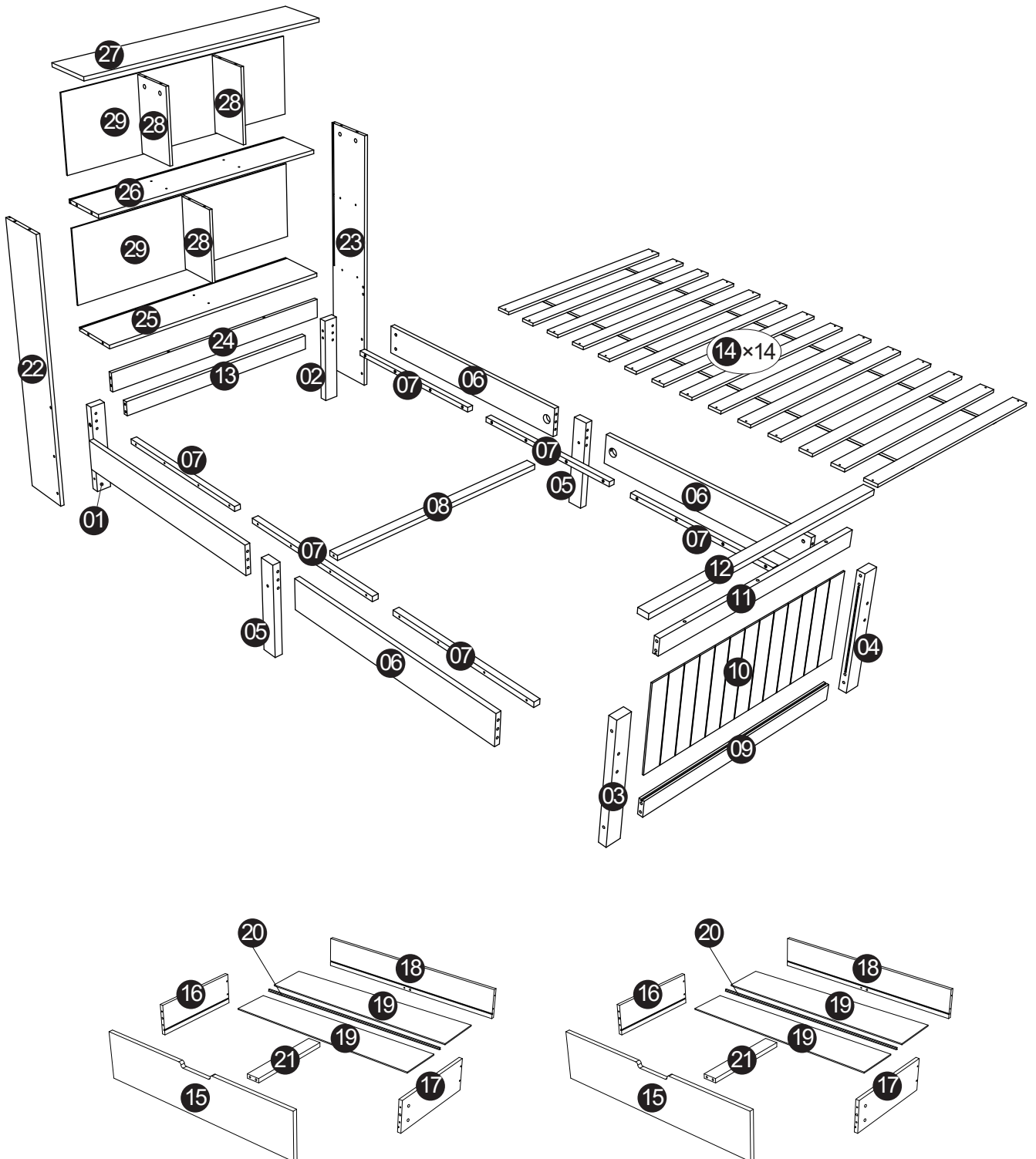
BF-MYER-SKS








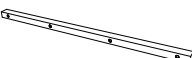

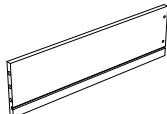
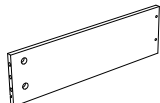
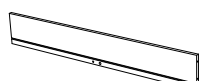



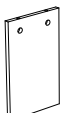
SAFETY WARNINGS

1. WARNING " high beds can present a serious risk of injury from strangulation if not used correctly. Never attach or hang items to any part of the bed that are not designed to be used with the bed, for example, but not limited to ropes, strings, cords, hooks, belts and bags"
2. WARNING " Children are not allowed to hang from the top of the bed by their hands"
3. Do not allow horseplay on the bed and prohibit jumping on the bed.
4. The bed must be used with mattress. The recommended size of the mattress to be used with the bed is **107cm x 203cm**.
5. The fastenings put in place on assembly should all be properly tightened and regularly checked. Retighten the fastenings as necessary.
6. 2 people are recommended to finish.

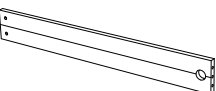
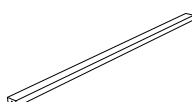
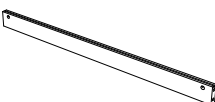
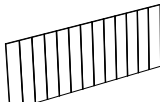
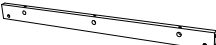
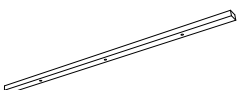

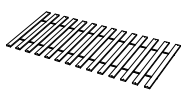


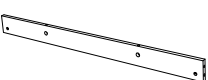
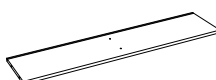
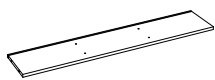


PARTS



BF-MYER-SKS-21


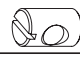








01x1 	02x1 	03x1 	04x1 	05x2 
07x6 	15x2 	16x2 	17x2 	18x2 
19x4 	20x2 	21x2 	28x3 	










BF-MYER-SKS-22

06x4 	08x1 	09x1 	10x1 	11x1 
12x1 	13x1 	14x1 	22x1 	23x1 
24x1 	25x1 	26x1 	27x1 	29x2 

HARDWARE

(Find in BF-MYER-SKS-21)

A	 M6 x 100mm	6
B		16
C	 $\Phi 8 \times 30\text{mm}$	28
D		1
E		35
F		35
G	 M6 x 160mm	2
H		4
I		2
J	 $\Phi 4 \times 30\text{mm}$	52

K	 M6 x 70mm	8
L	 $\Phi 6 \times 60\text{mm}$	2
M	 $\Phi 4 \times 40\text{mm}$	14
N		8
O	 $\Phi 3.5 \times 16\text{mm}$	16
P	 M6 x 50mm	2
Q	 $\Phi 6 \times 50\text{mm}$	4
R	 (Natural)	7
S	 (White)	10

Before that start...

Please check all hardware matches that list below.

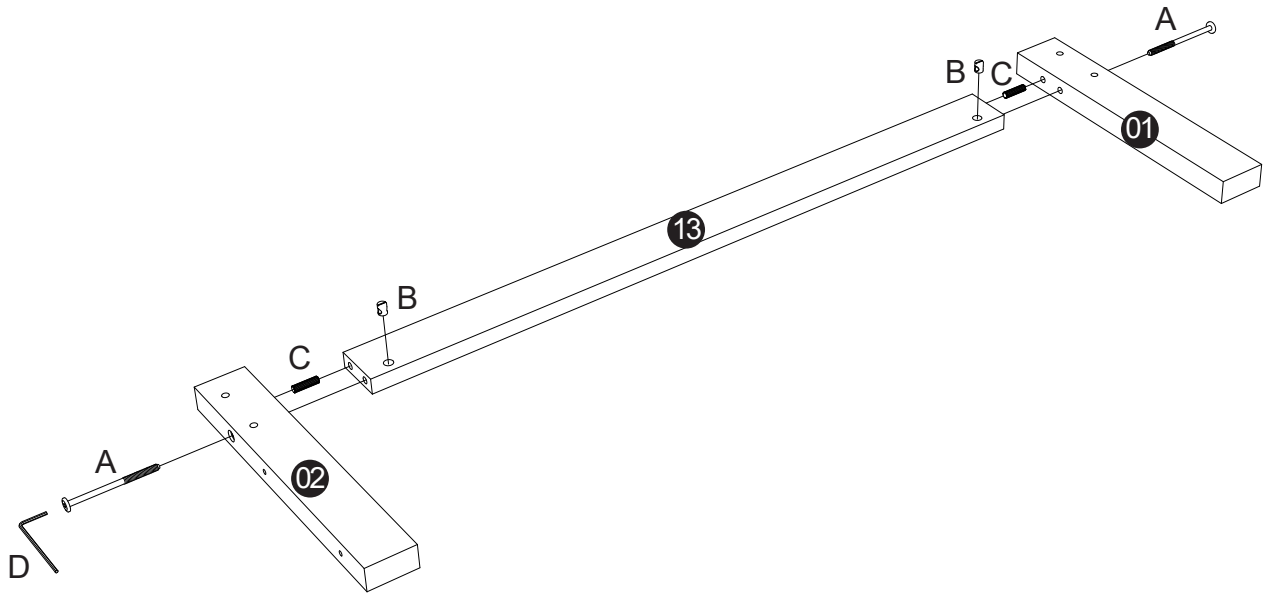
We strongly advise that you do not use power tools.





We strongly advise that you tighten all screws to 80% and then re-tighten them to 100% after assembly.



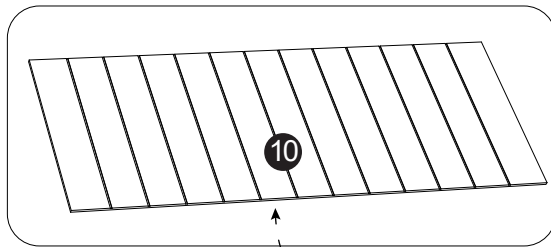
Do Not Use Power Tools

Step1 As shown in the diagram, align the pre-drilled holes of the relevant parts. Insert A screws through the holes and secure them. Use B and C screws at the designated positions to further fasten the connections.

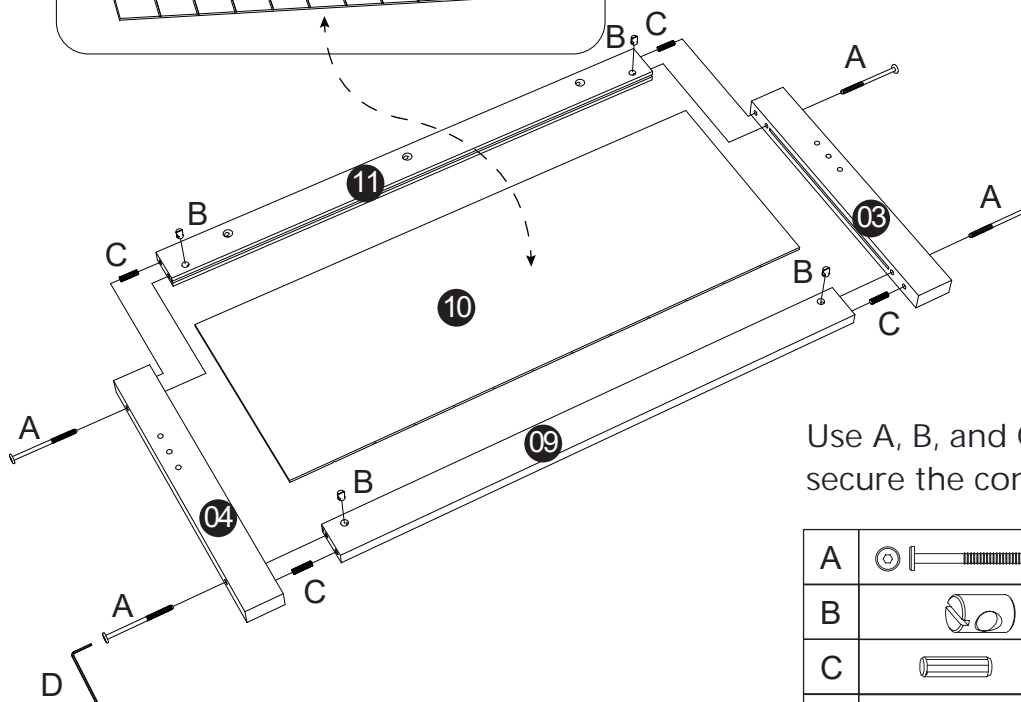


A		M6 x 100mm	2
B			2
C		Φ8 x 30mm	2
D			1





Step2



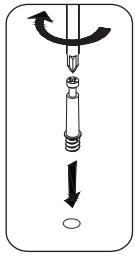
Assemble the components shown in the diagram. Align the pre-drilled holes accurately.



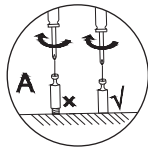
Use A, B, and C screws to secure the connections.

A		M6 x 100mm	4
B			4
C		Φ8 x 30mm	4
D			1

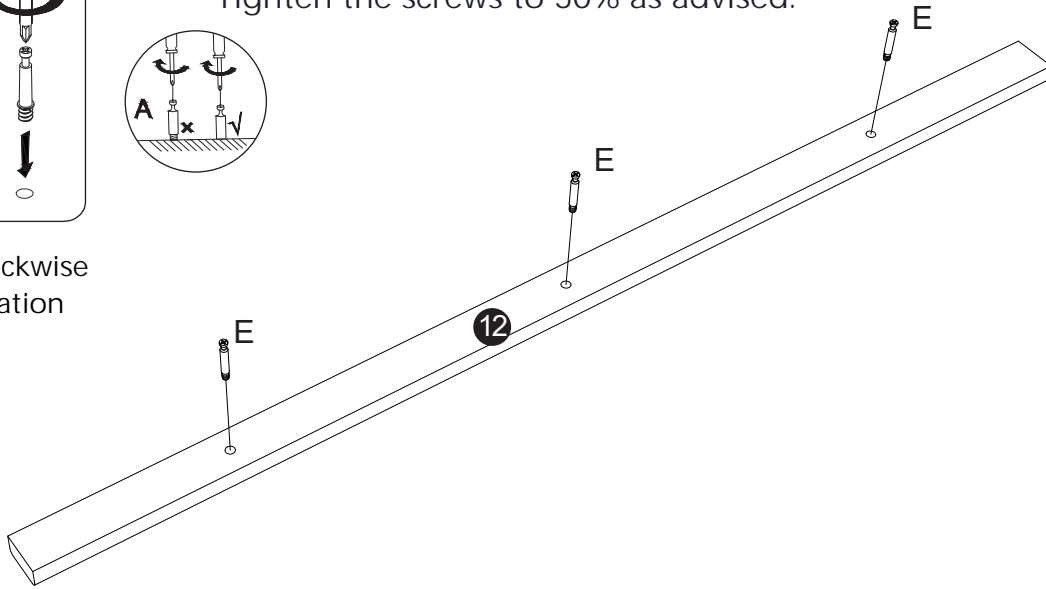
Step3



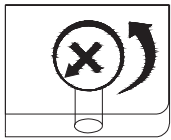
Clockwise rotation



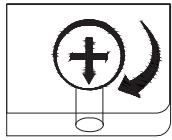
Tighten the screws to 50% as advised.



Step4



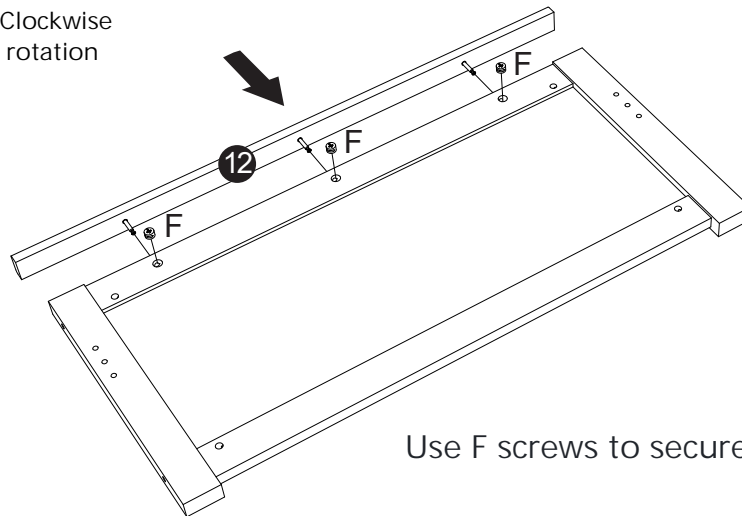
X



✓

Avoid over tighten.

Clockwise rotation

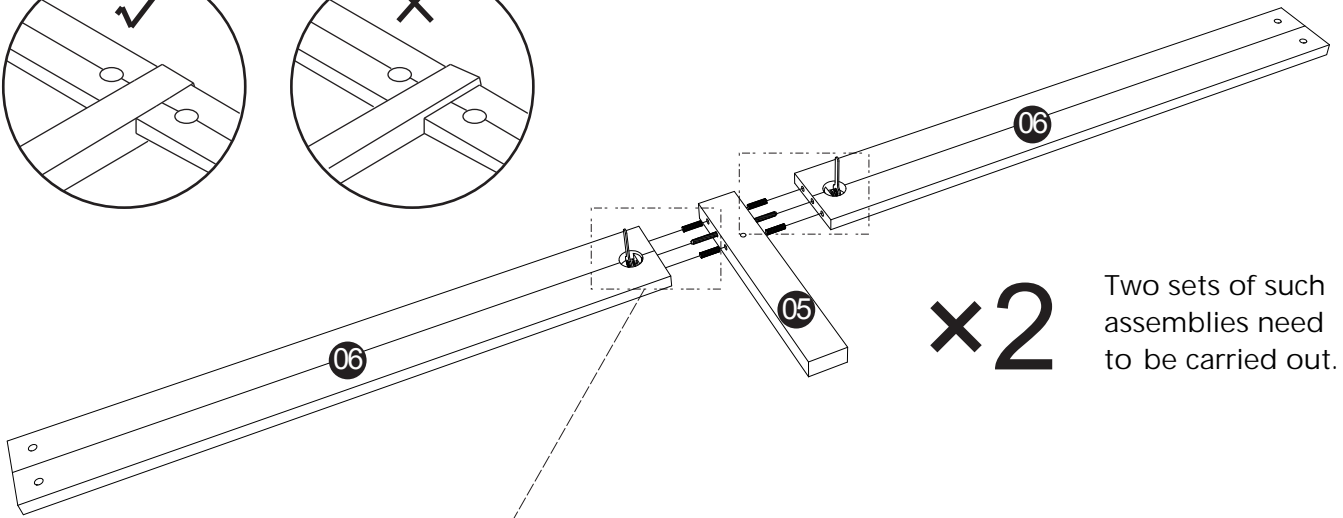
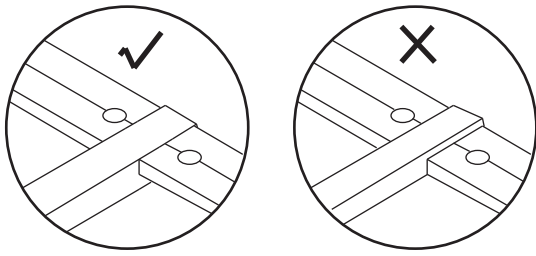


Use F screws to secure the connections.



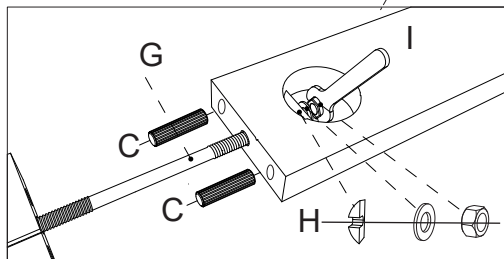
Step5

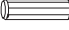
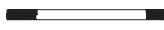


Use G, C to secure the connections. Attach H as indicated. Tighten the screws firmly.



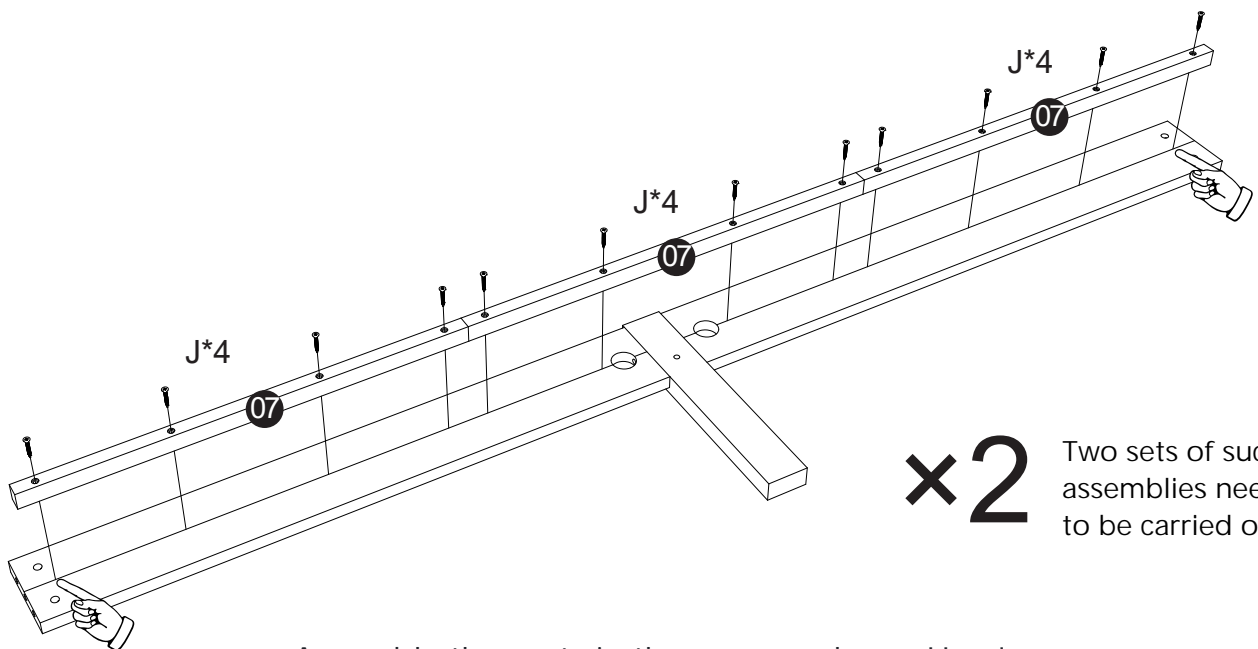
×2

Two sets of such assemblies need to be carried out.



C		Φ8 x 30mm	8
G		M6 x 160mm	2
H			4
I			2


Step6



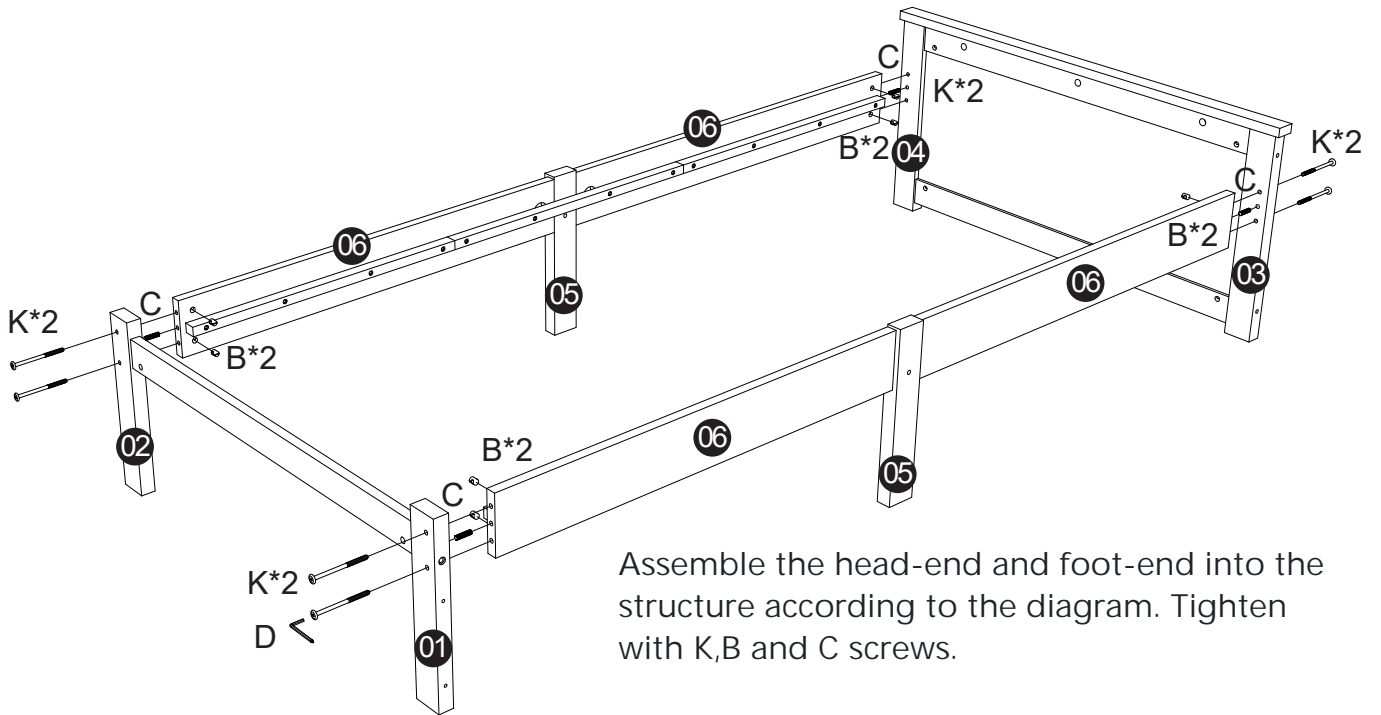
×2

Two sets of such assemblies need to be carried out.





Assemble the parts in the manner shown. Use J screws to secure the connections.

J		Φ4x30mm	24
---	---	---------	----

Step7

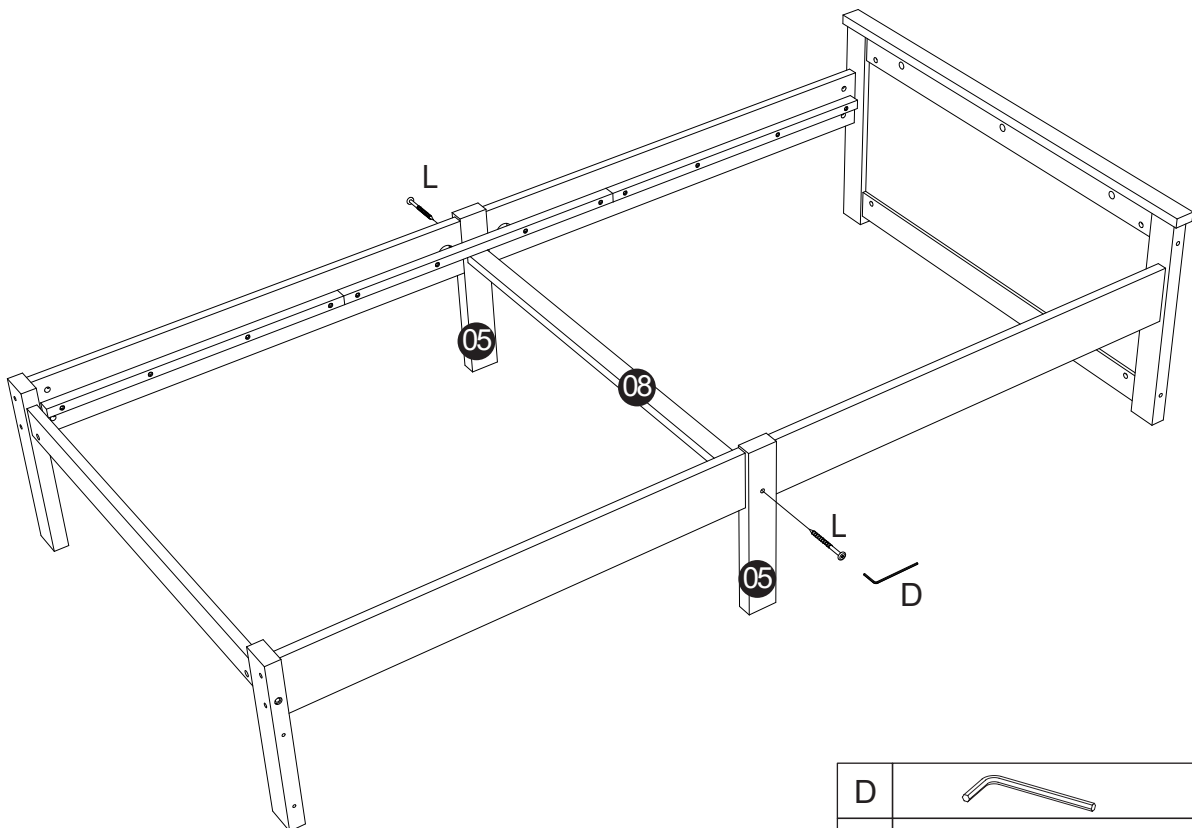




Assemble the head-end and foot-end into the structure according to the diagram. Tighten with K,B and C screws.

K		M6 x 70mm	8
B			8
C		Φ8 x 30mm	4
D			1

Step8

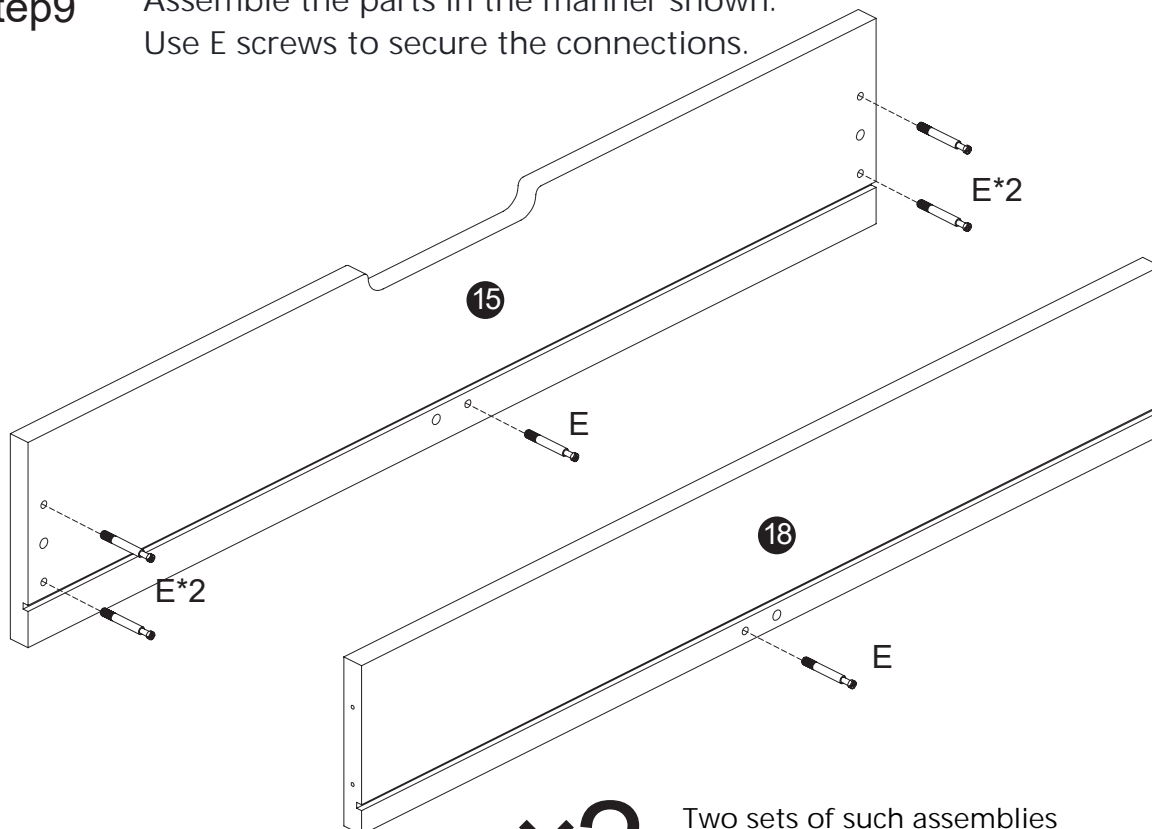
Use D screws to secure the connections.



D			1
L		Φ6 x 60mm	2

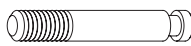
Step9

Assemble the parts in the manner shown.
Use E screws to secure the connections.



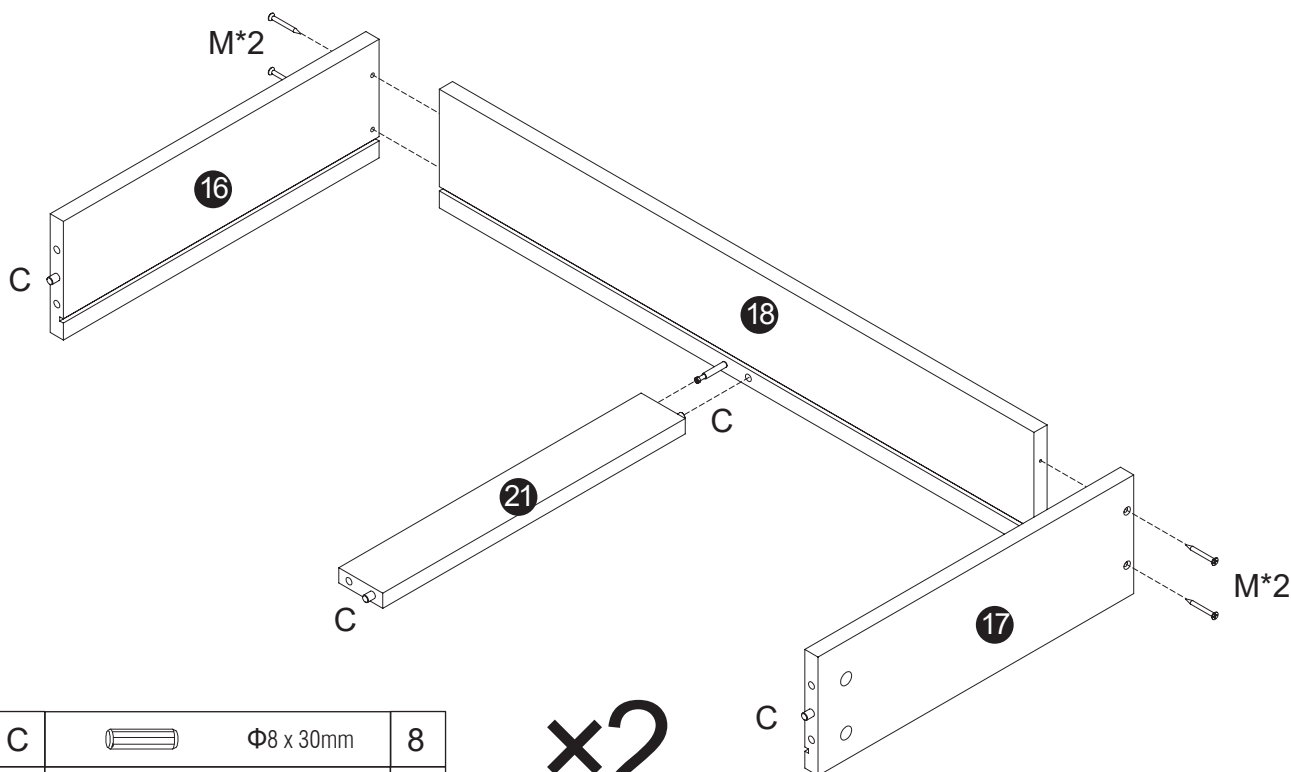
x2

Two sets of such assemblies
need to be carried out.

E		12
---	---	----



Step10

Assemble the parts in the manner shown. Use C ,M screws
to secure the connections.

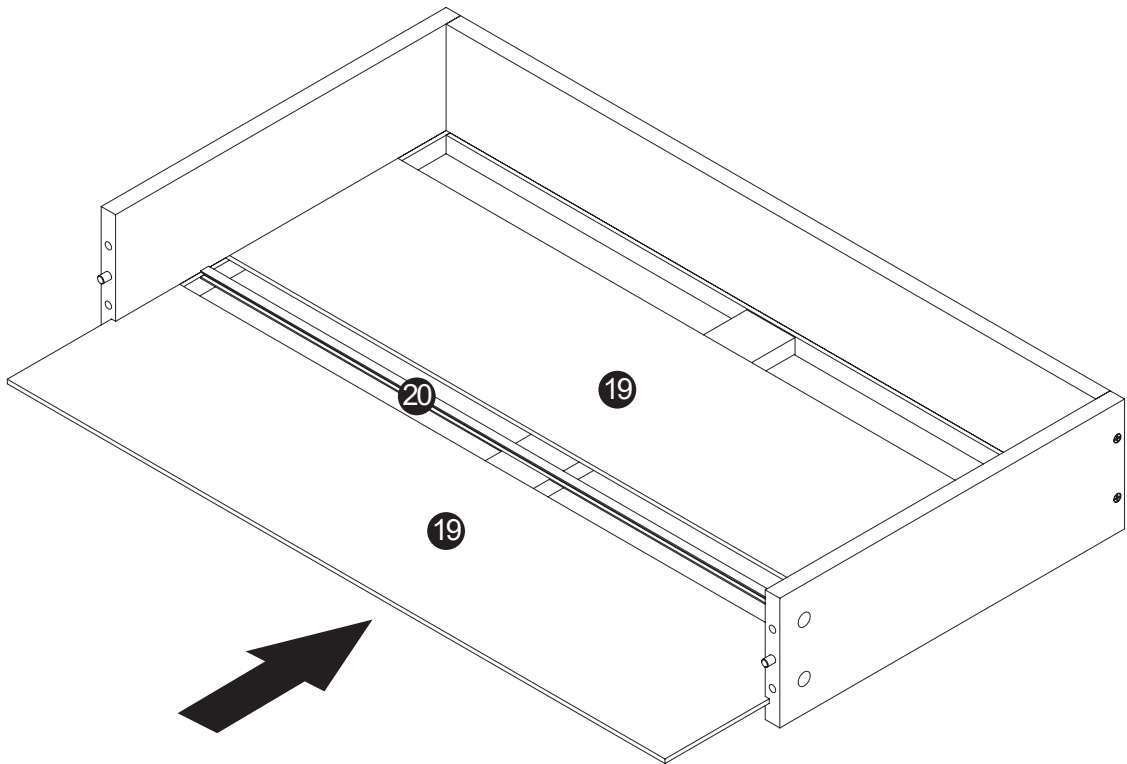


x2

Two sets of such assemblies
need to be carried out.

C		Φ8 x 30mm	8
M		Φ4 x 40mm	8

Step11

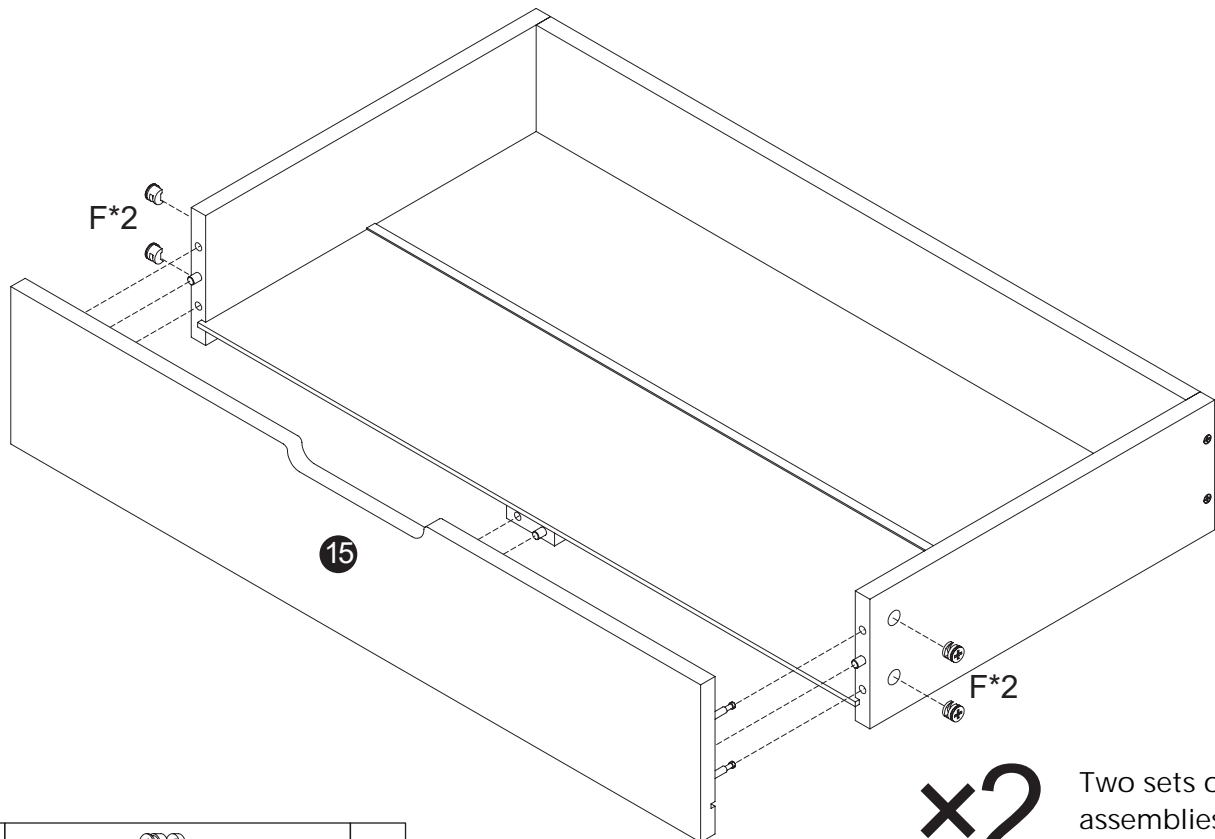


x2

Two sets of such assemblies need to be carried out.

Step12

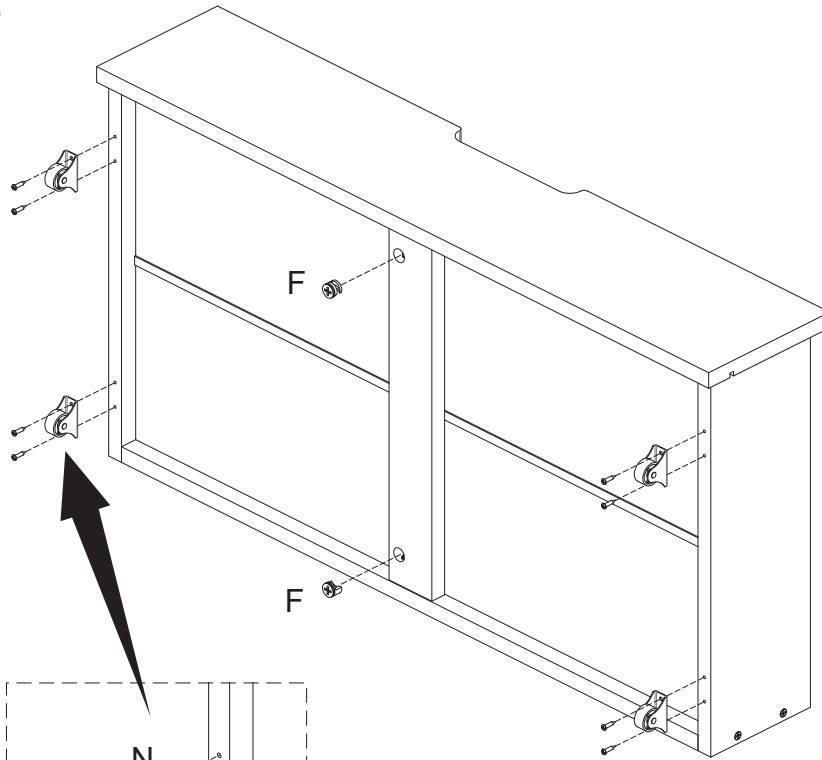
Install the components into the main structure. Ensure it can slide smoothly and are properly aligned.



x2

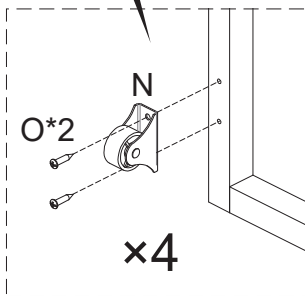
Two sets of such assemblies need to be carried out.

Step13



x2

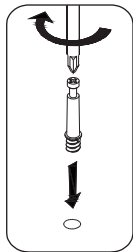
Two sets of such assemblies need to be carried out.



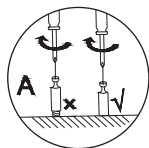
Assemble the parts in the manner shown. Use O,F screws to secure the connections.

F		4
N		8
O	$\Phi 3.5 \times 16$	16

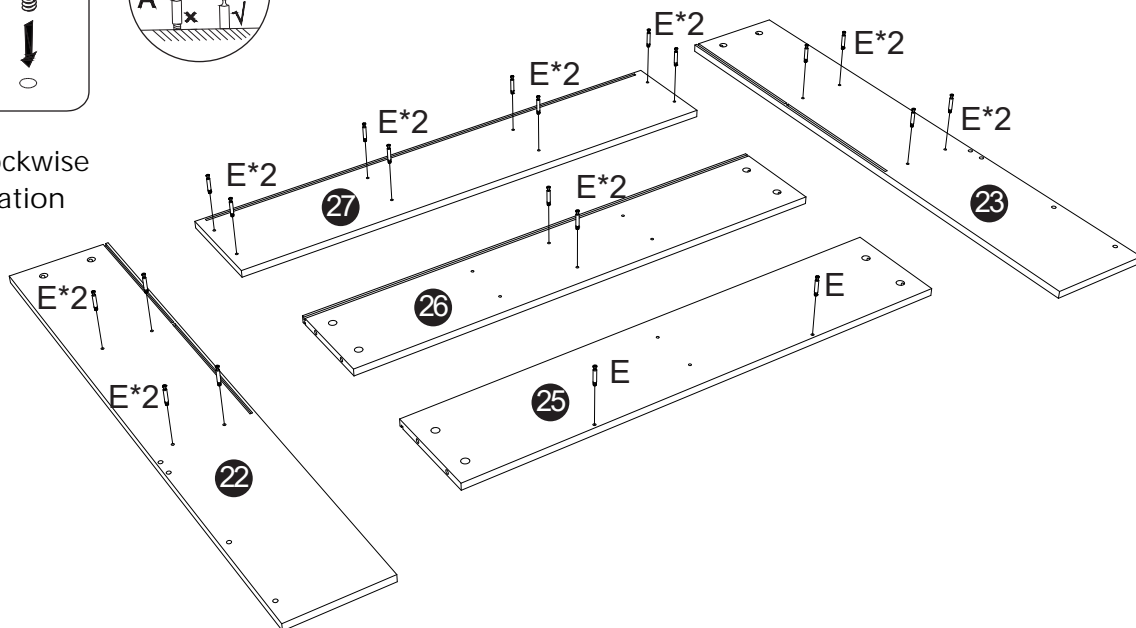
Step14



Clockwise rotation



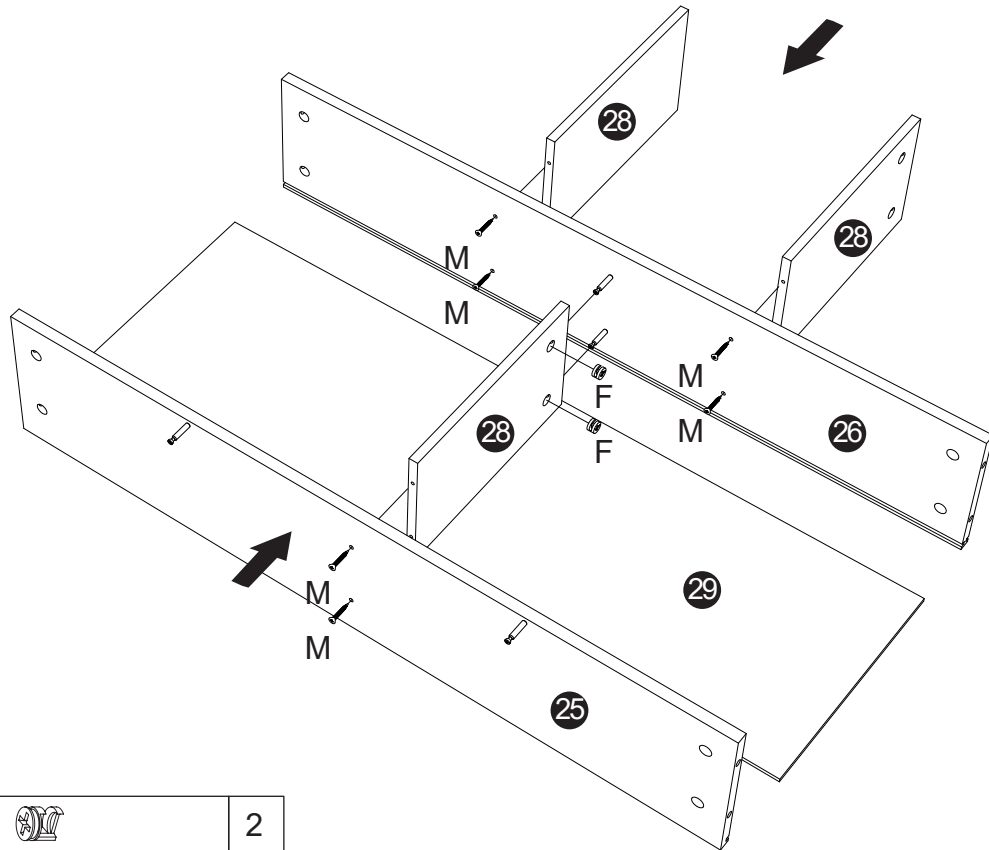
Tighten the screws to 50% as advised.





E		20
---	--	----

Step15

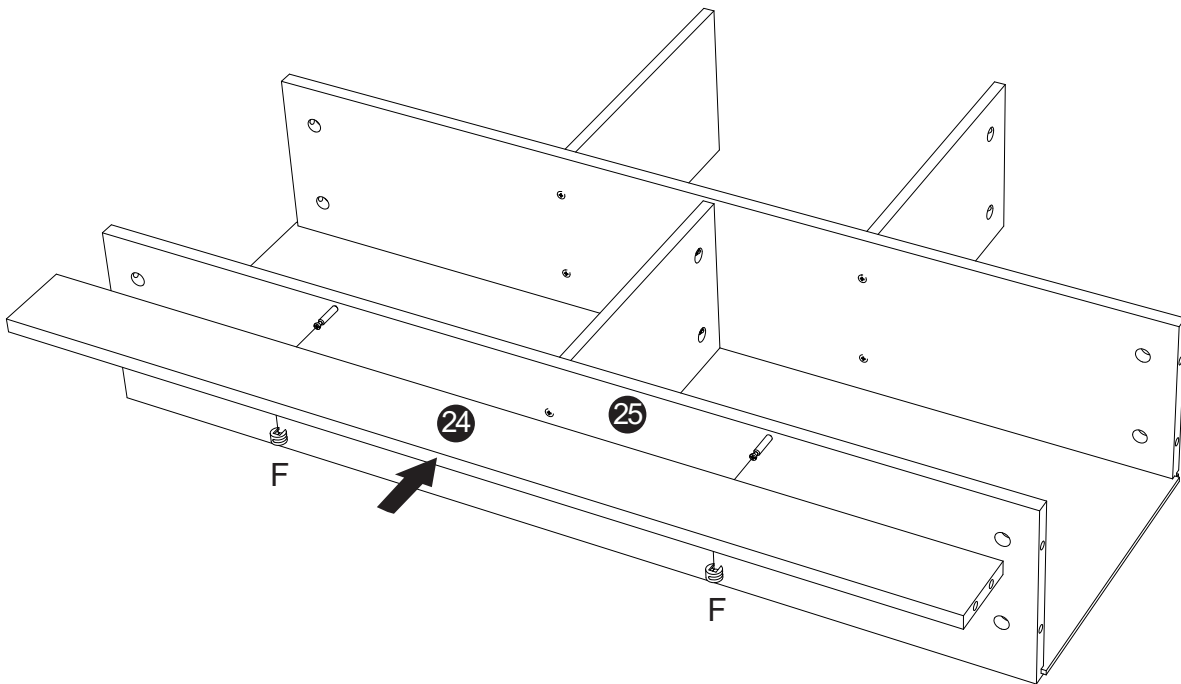
Refer to the diagram to install M and F in their designated positions.



F		2
M	 Φ4x40mm	6

Step16

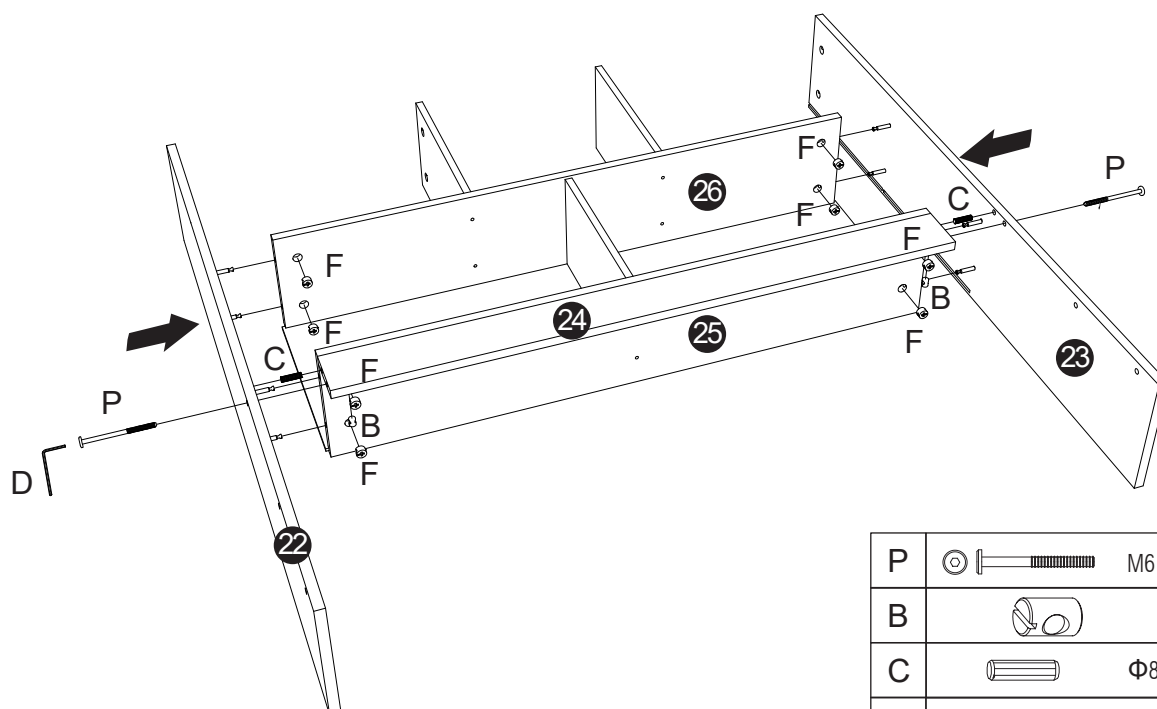
Use F screws to secure the connections.


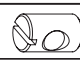

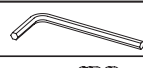



F		2
---	---	---

Step 17

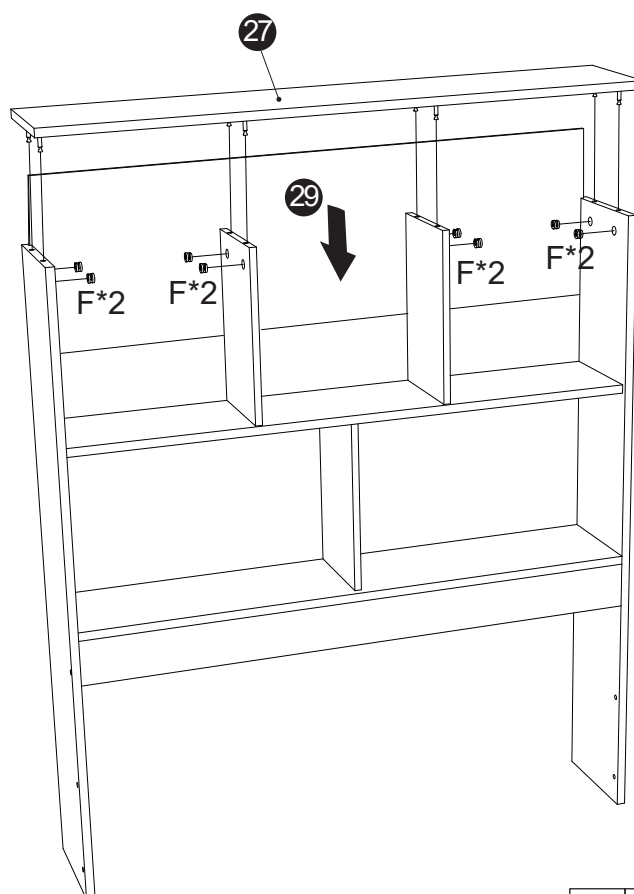
Refer to the diagram to position part P and secure them. Attach the F parts using B and C at the designated points.



P		M6 x 50mm	2
B			2
C		Φ8 x 30mm	2
D			1
F			8

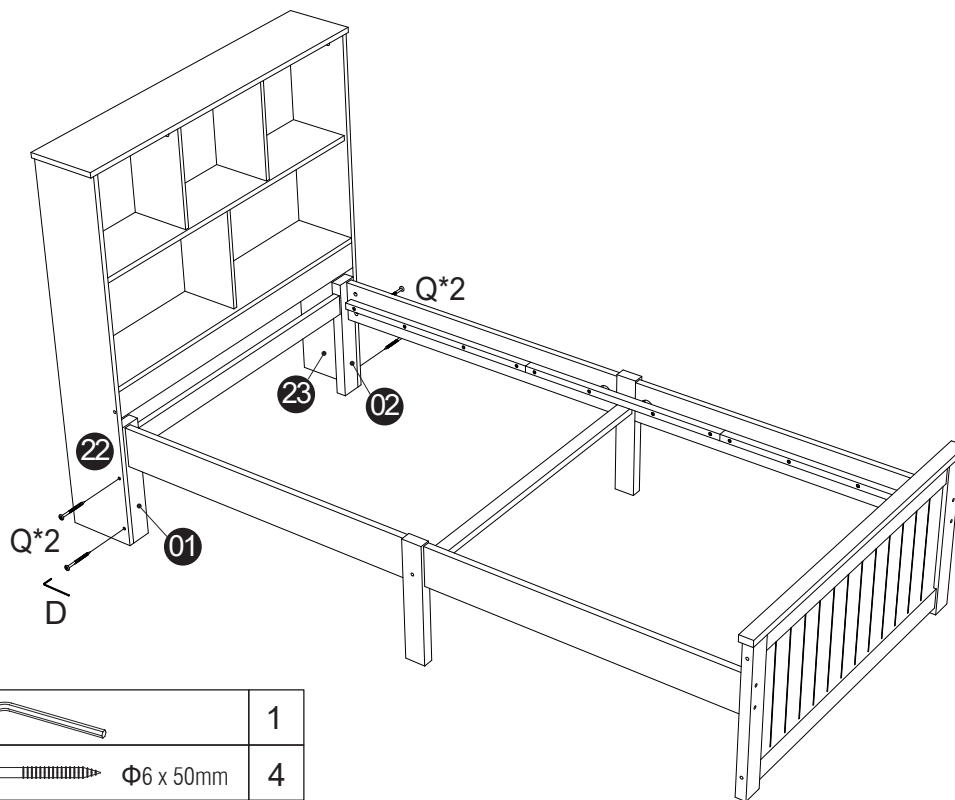
Step 18


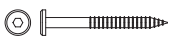
Use F screws to secure the connections.



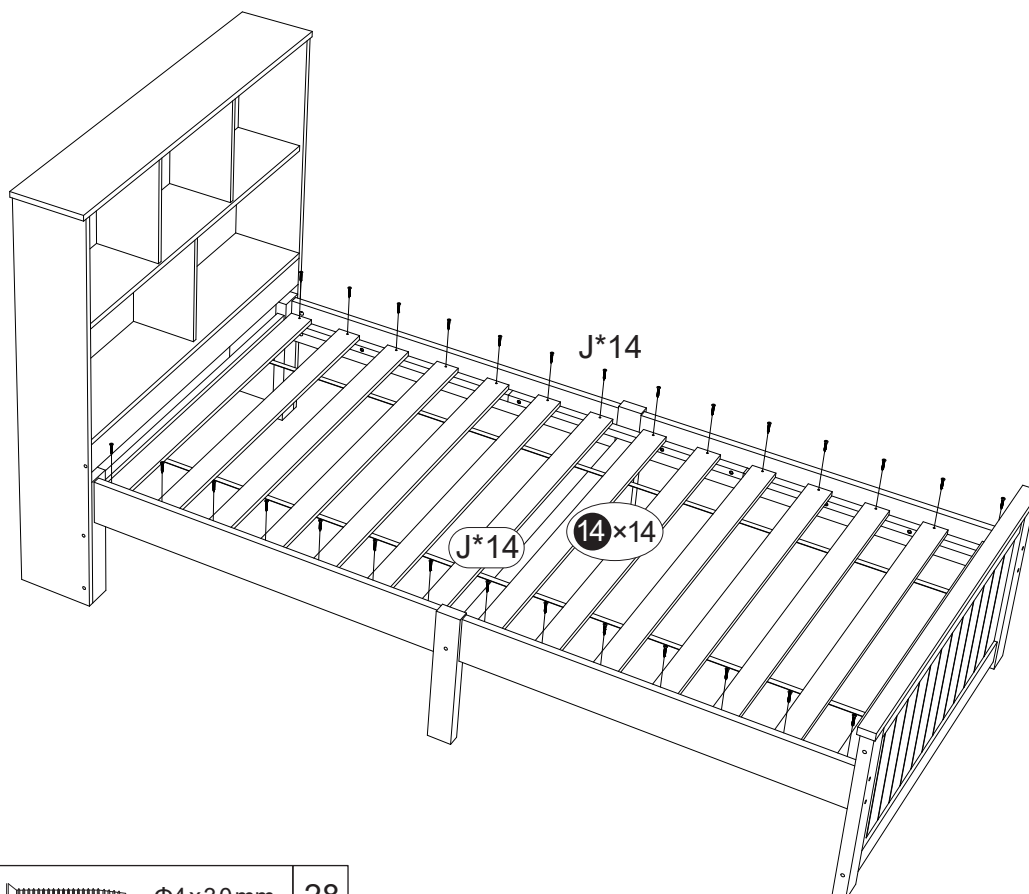
F			8
---	---	--	---

Step19 Assemble the components in the manner shown, use D,Q screws to secure the connections.



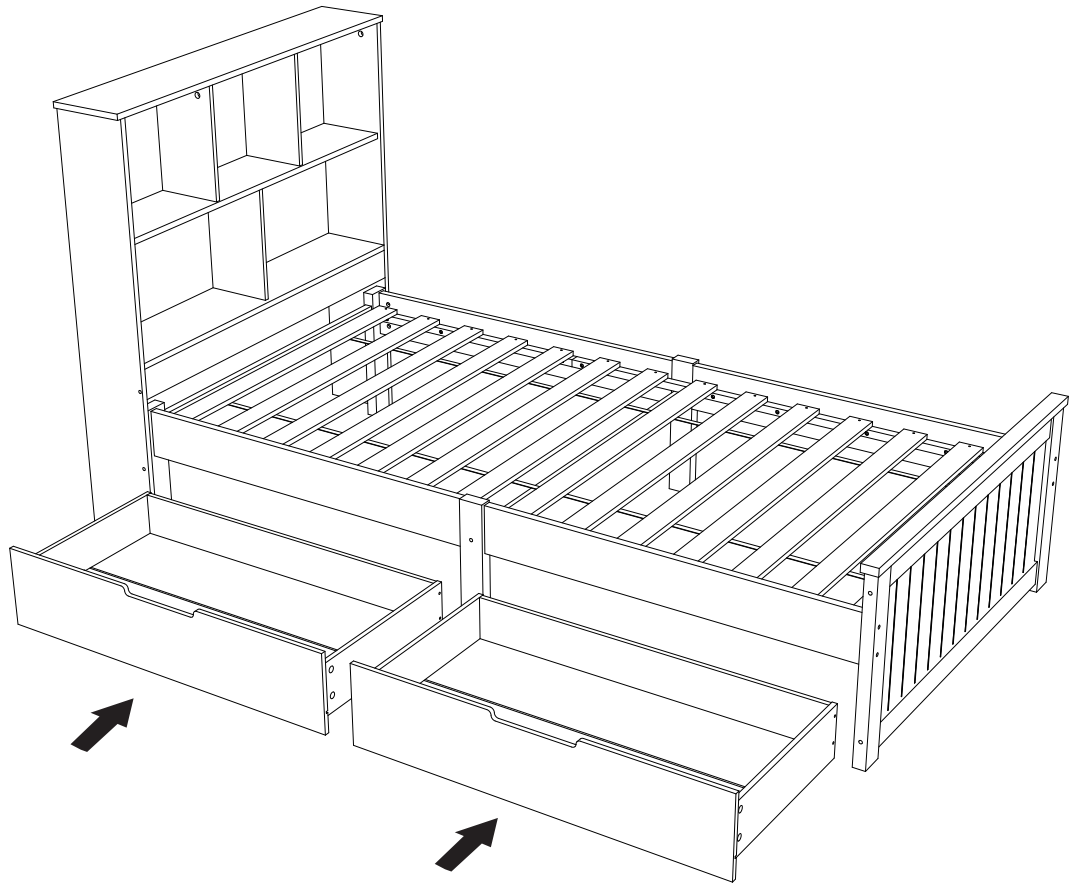
D		1
Q	 $\Phi 6 \times 50\text{mm}$	4

Step20 Place the wooden strips in each slot, fasten with J screws.



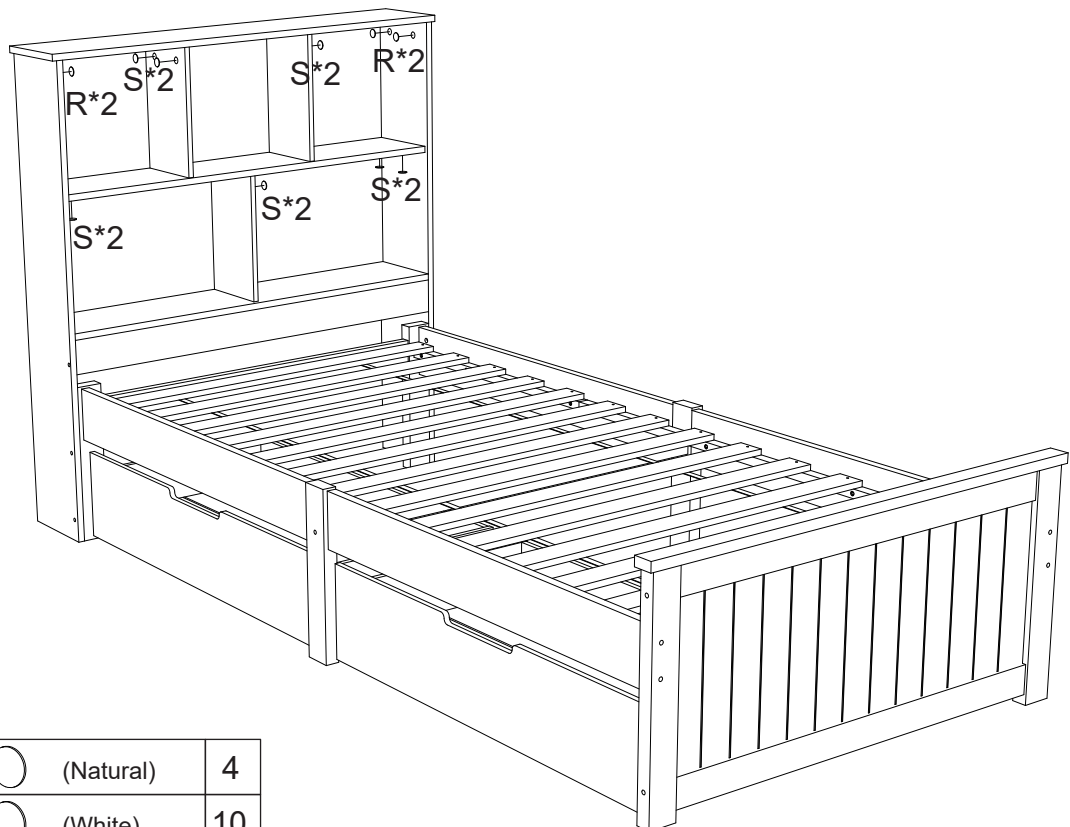
J	 $\Phi 4 \times 30\text{mm}$	28
---	---	----



Step21



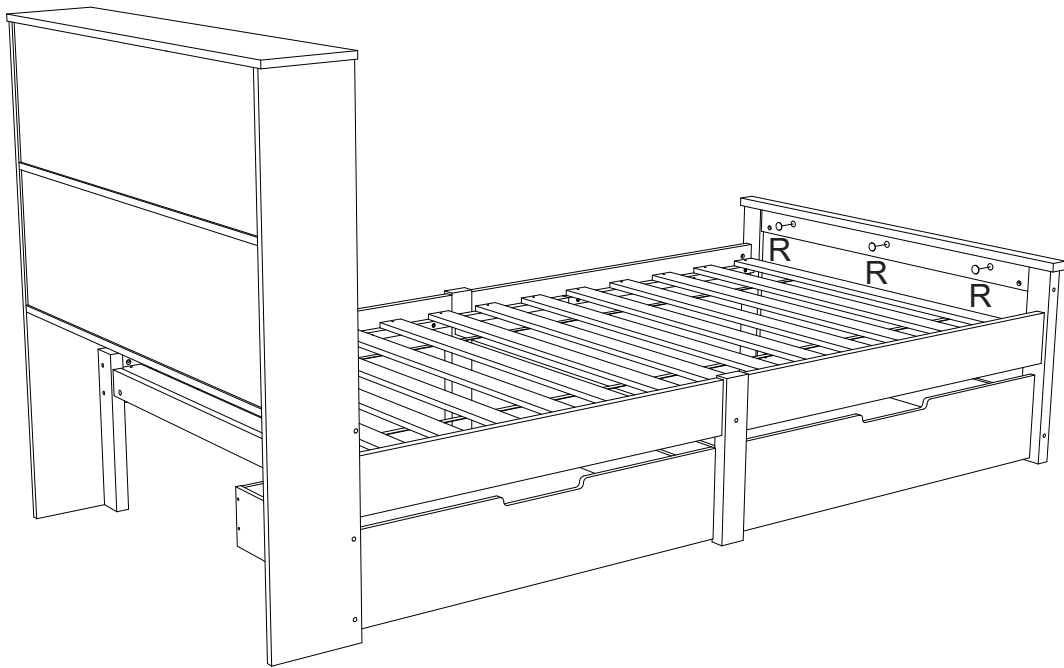
Put the drawers into the bottom of the bed.

Step22



R		(Natural)	4
S		(White)	10

Step23



R		(Natural)	3
---	---	-----------	---

FINISH

