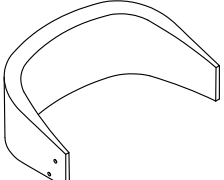
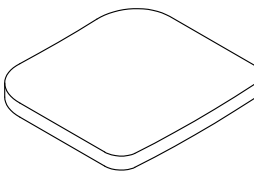
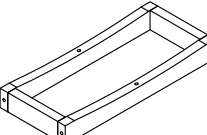
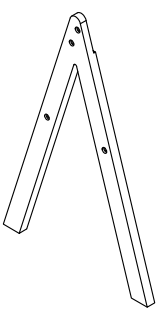
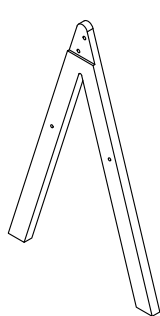
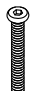



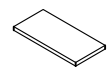
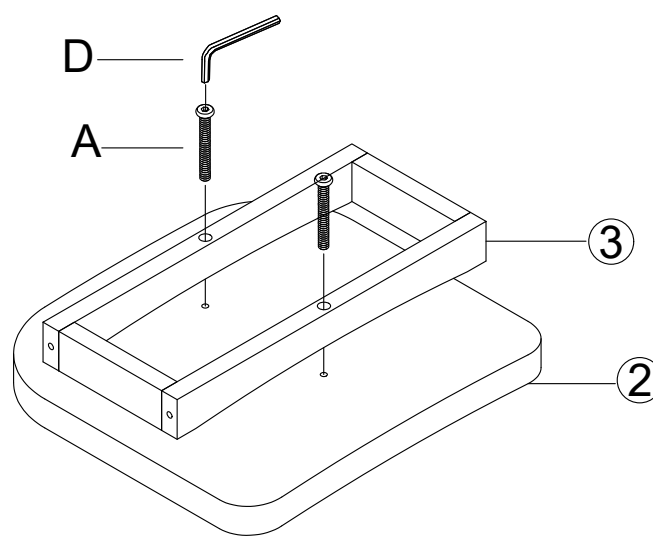
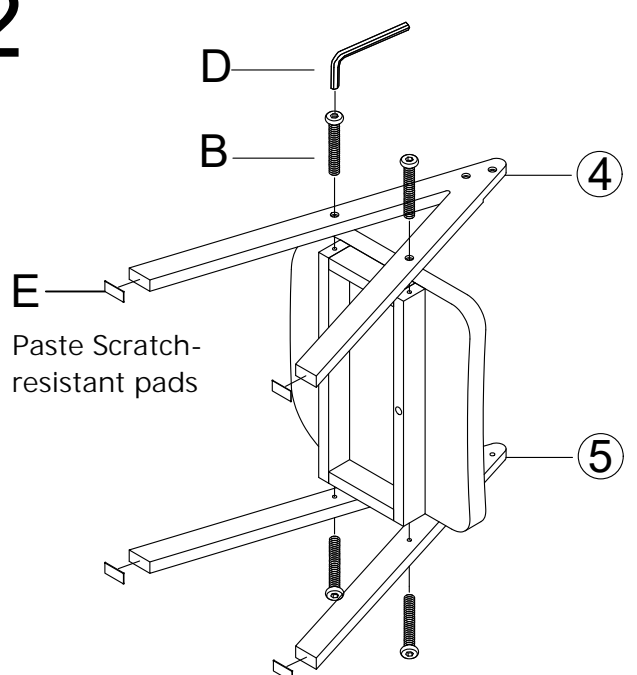


<p>①</p>  <p>X1</p>	<p>②</p>  <p>X1</p>	<p>③</p>  <p>X1</p>	<p>④</p>  <p>X1</p>	<p>⑤</p>  <p>X1</p>
<p>Ⓐ M6*50</p>  <p>X2</p>	<p>Ⓑ M6*40</p>  <p>X4</p>	<p>Ⓒ M6*25</p>  <p>X4</p>	<p>Ⓓ</p>  <p>X1</p>	<p>Ⓔ</p>  <p>X4</p>

**1** Use A screw to secure the connection.

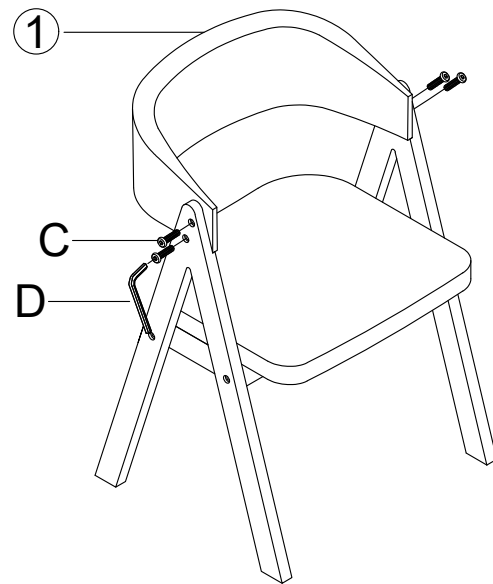


**2**



Paste Scratch-resistant pads

**3** Use C screw to secure the connection.



**4**

