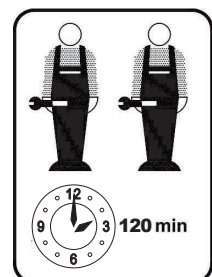
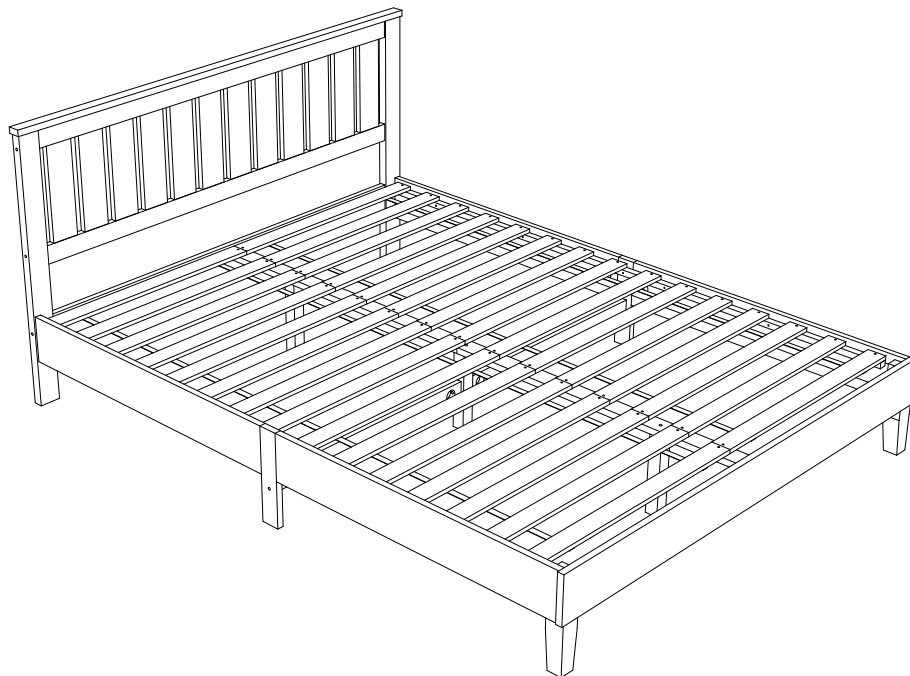


ASSEMBLY INSTRUCTIONS

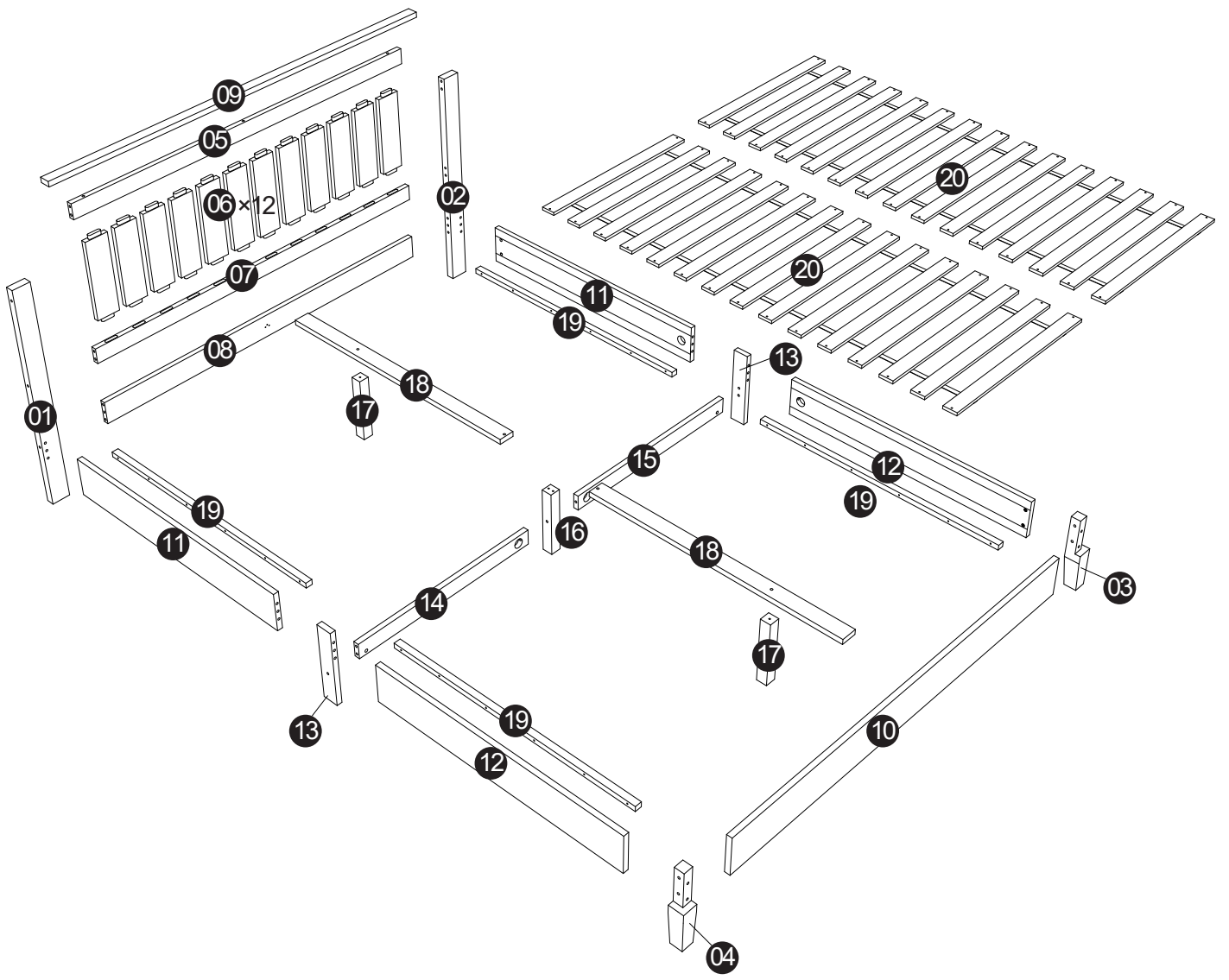
BF-ALEXIS-QN




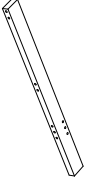


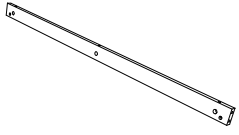

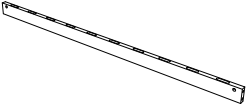
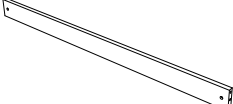

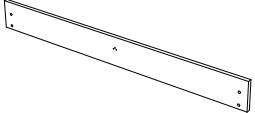
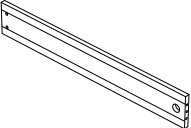
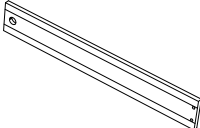

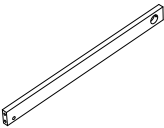
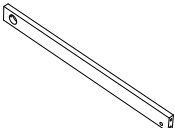


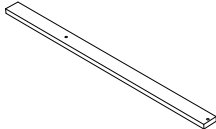
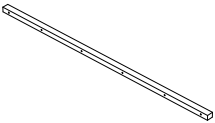
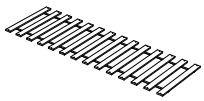
SAFETY WARNINGS

- 1.WARNING " high beds can present a serious risk of injury from strangulation if not used correctly. Never attach or hang items to any part of the bed that are not designed to be used with the bed, for example, but not limited to ropes, strings, cords, hooks, belts and bags"
- 2.WARNING " Children are not allowed to hang from the top of the bed by their hands"
- 3.Do not allow horseplay on the bed and prohibit jumping on the bed.
- 4.The bed must be used with mattress.The recommended size of the mattress to be used with the bed is **153cm x 203cm**.
- 5.The fastenings put in place on assembly should all be properly tightened and regularly checked.Retighten the fastenings as necessary.
- 6.2 people are recommended to finish.


















PARTS



BF-ALEXIS-QN

01 x1 	02 x1 	03 x1 	04 x1 	05 x1 
06 x12 	07 x1 	08 x1 	09 x1 	10 x1 
11 x2 	12 x2 	13 x2 	14 x1 	15 x1 
16 x1 	17 x2 	18 x2 	19 x4 	20 x2 

HARDWARE

A	 M6 x 110mm	6	J		2
B		12	K	 M6 x 70mm	4
C	 $\Phi 8 \times 30\text{mm}$	20	L	 M6 x 60mm	2
D		1	M		2
E		3	N	 $\Phi 3.5 \times 16$	12
F		3	O	 $\Phi 7 \times 60\text{mm}$	4
G	 M6 x 55mm	8	P	 $\Phi 4 \times 30\text{mm}$	84
H	 M6 x 160mm	2	Q	 M6 x 140mm	1
I		6			

Before that start...

Please check all hardware matches that list below.

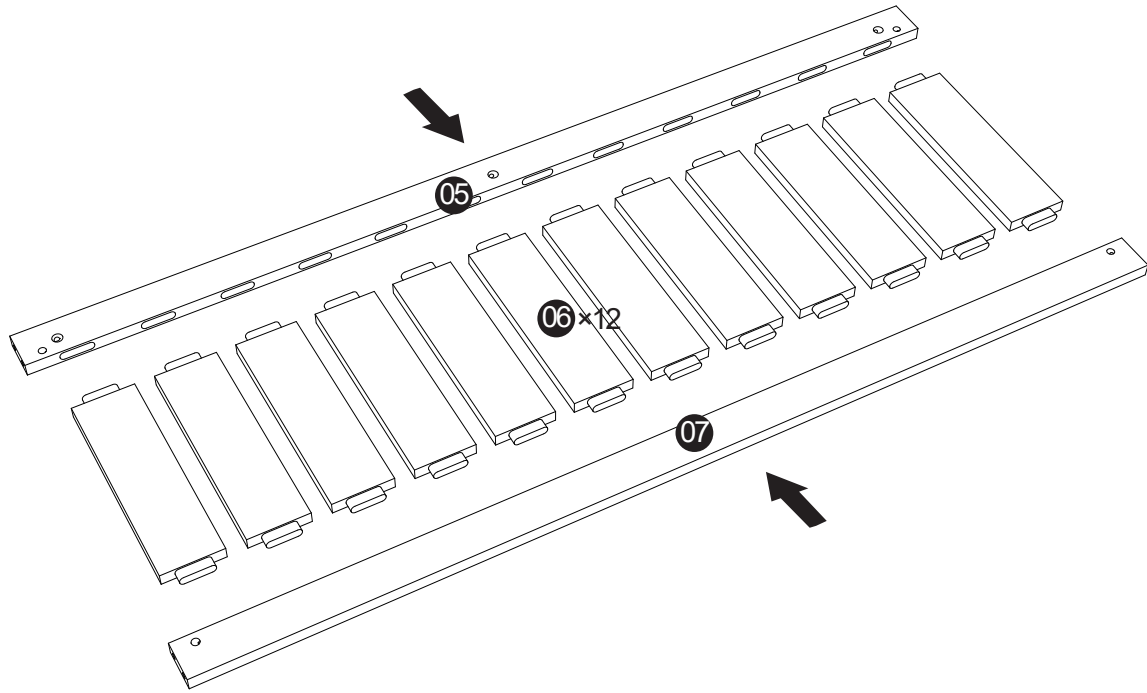
We strongly advise that you do not use power tools.

We strongly advise that you tighten all screws to 80% and then re-tighten them to 100% after assembly.

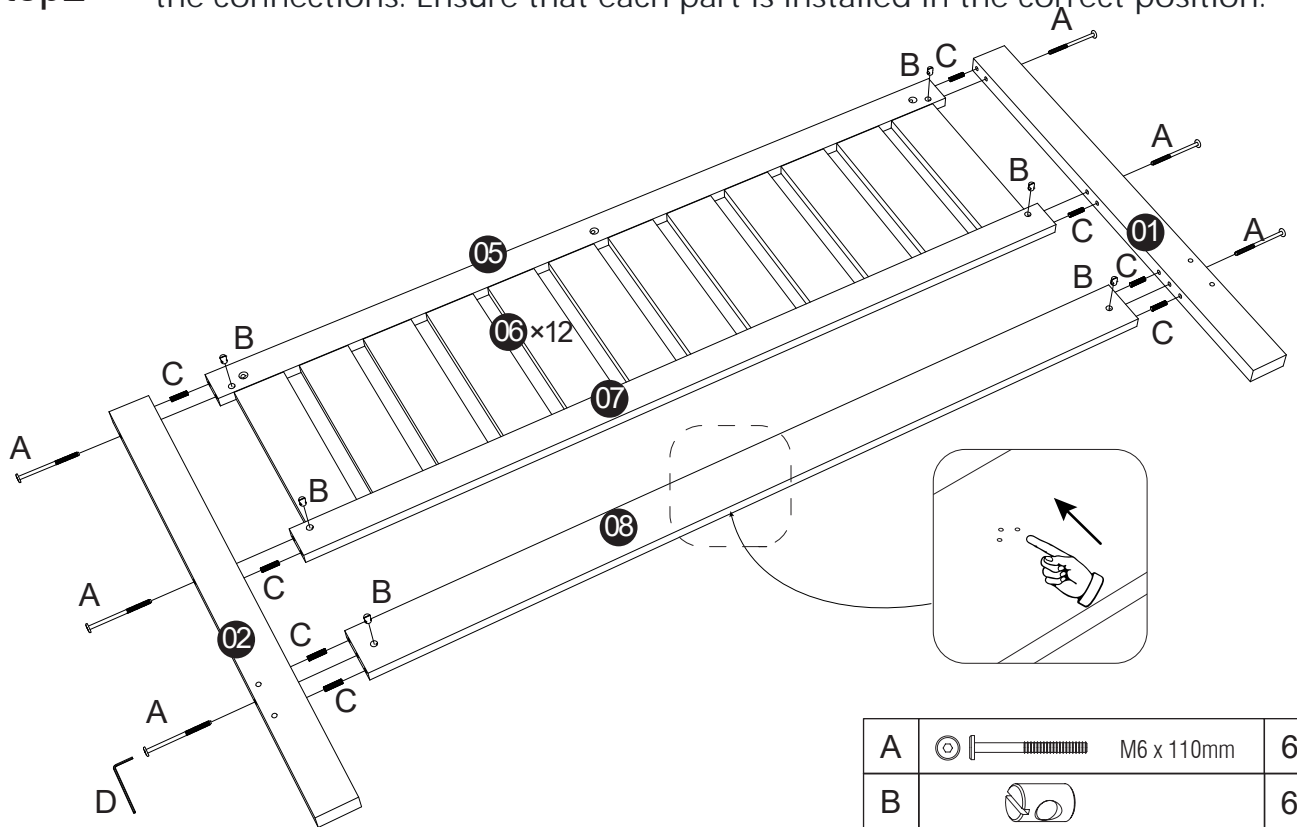






Do Not Use Power Tools

Step1 Placed the components in the corresponding position show as the manner , then attach them together.

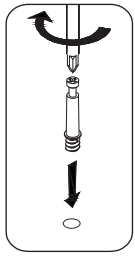


Step2 Assemble the parts in the manner shown. Use A , B , C screws to secure the connections. Ensure that each part is installed in the correct position.

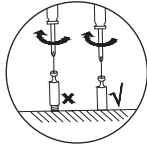


A		M6 x 110mm	6
B			6
C		Φ8 x 30mm	8
D			1

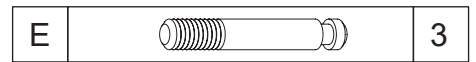
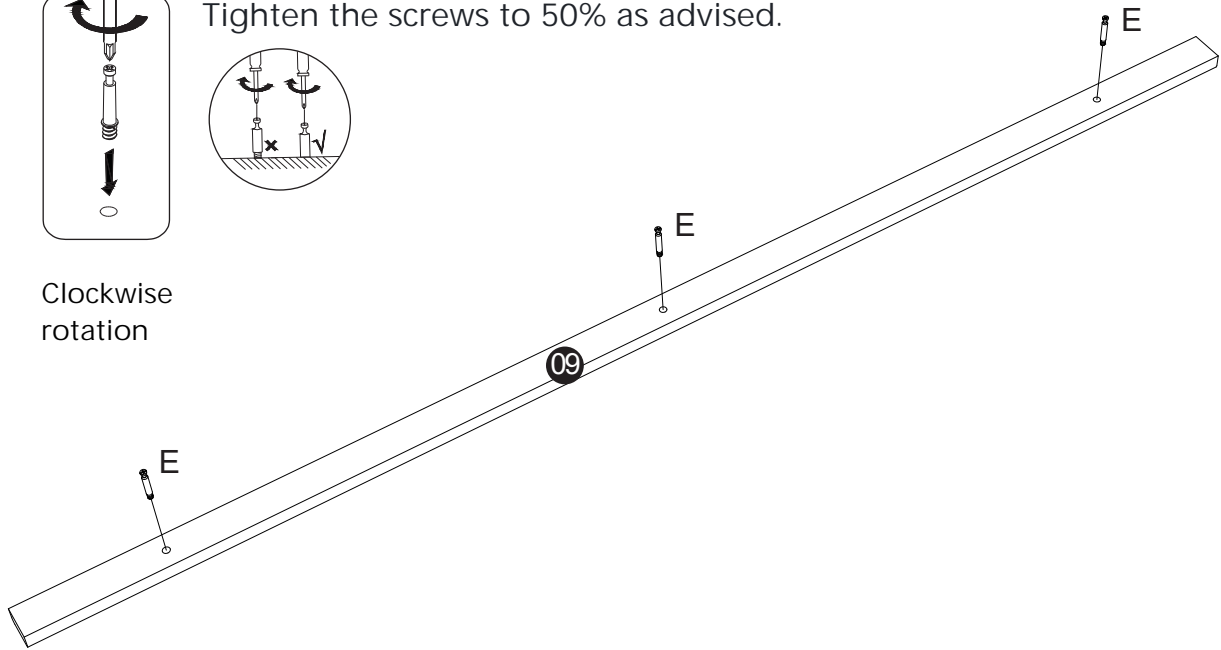
Step3



Tighten the screws to 50% as advised.

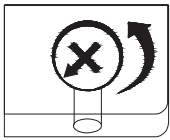


Clockwise rotation

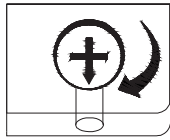


Step4

Avoid over tighten.

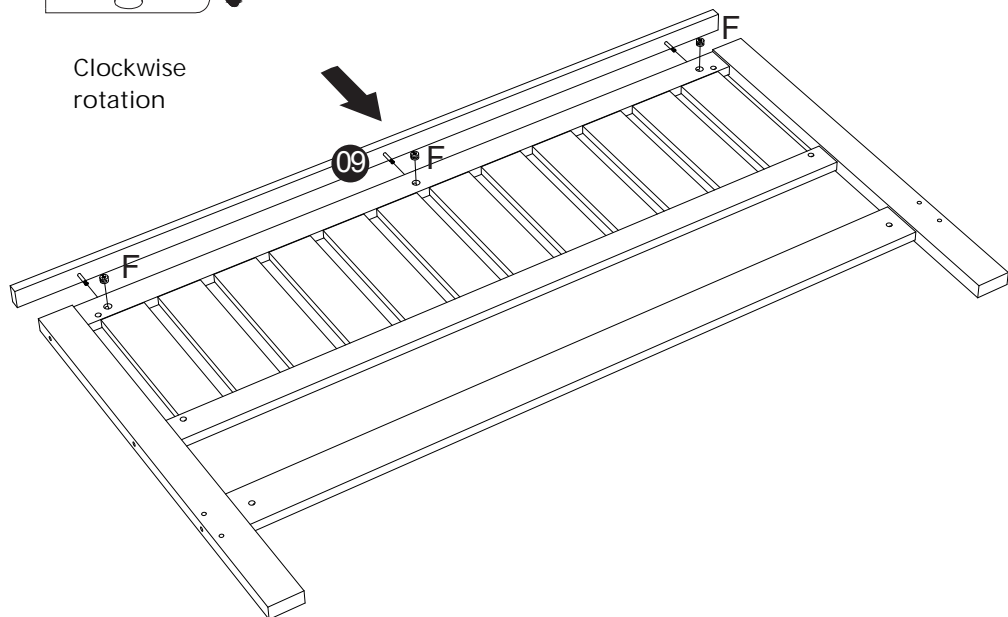


X

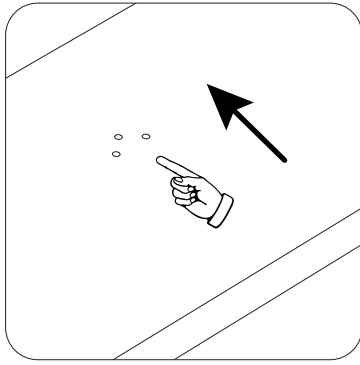


✓

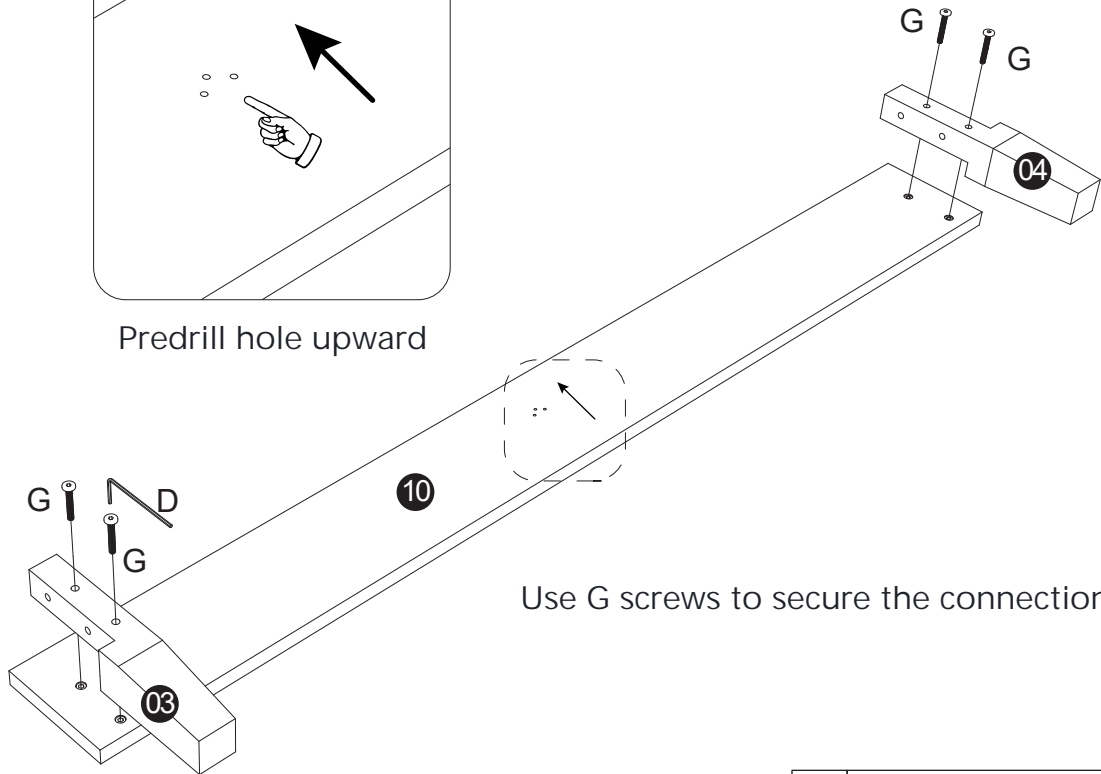
Clockwise rotation





Step5



Predrill hole upward

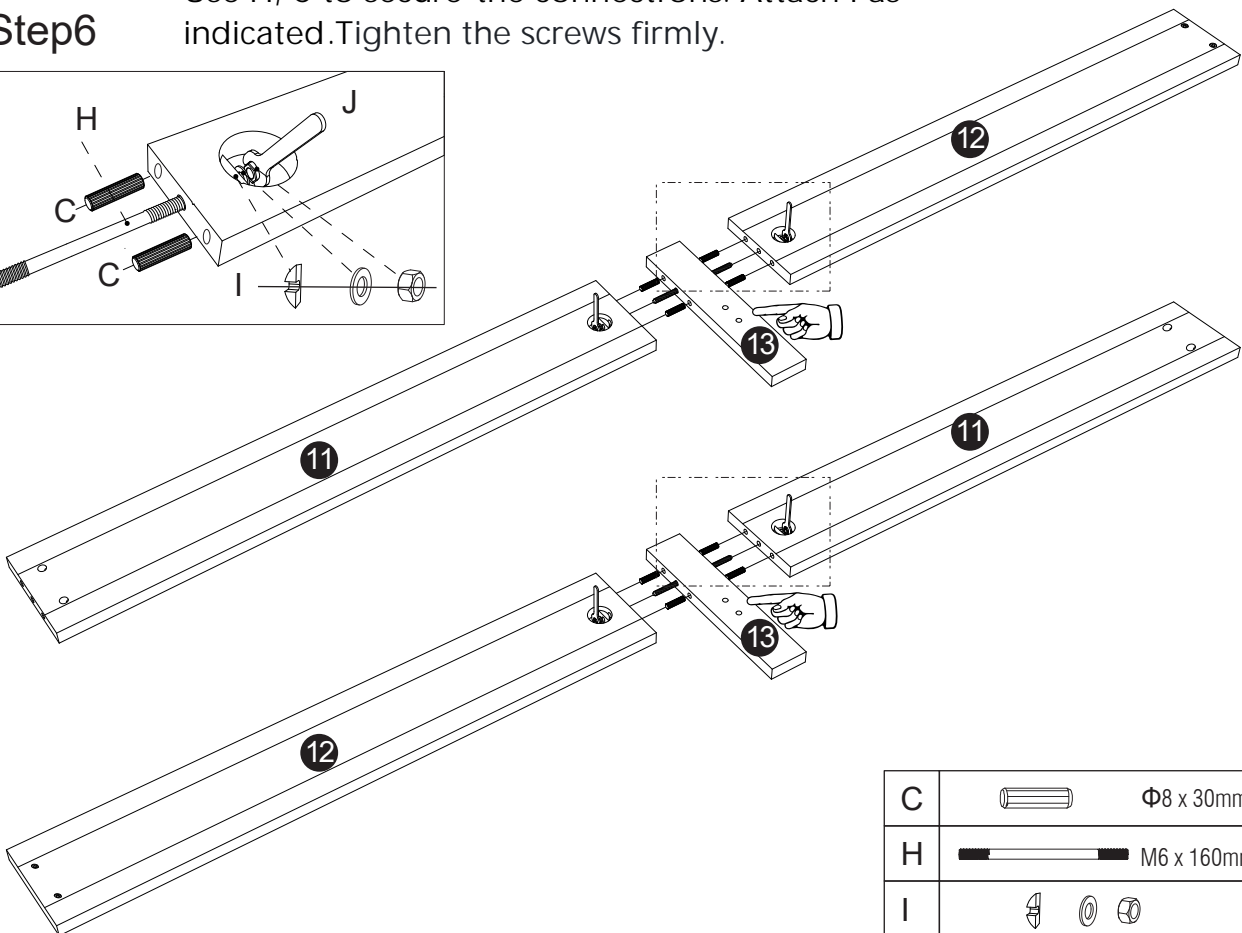
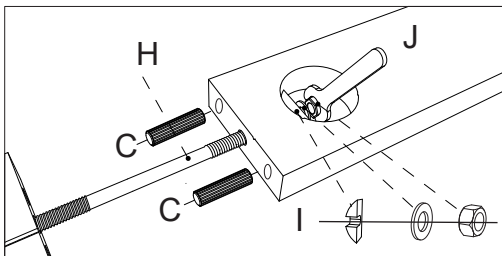






Use G screws to secure the connections.

G		M6 x 55mm	4
D			1

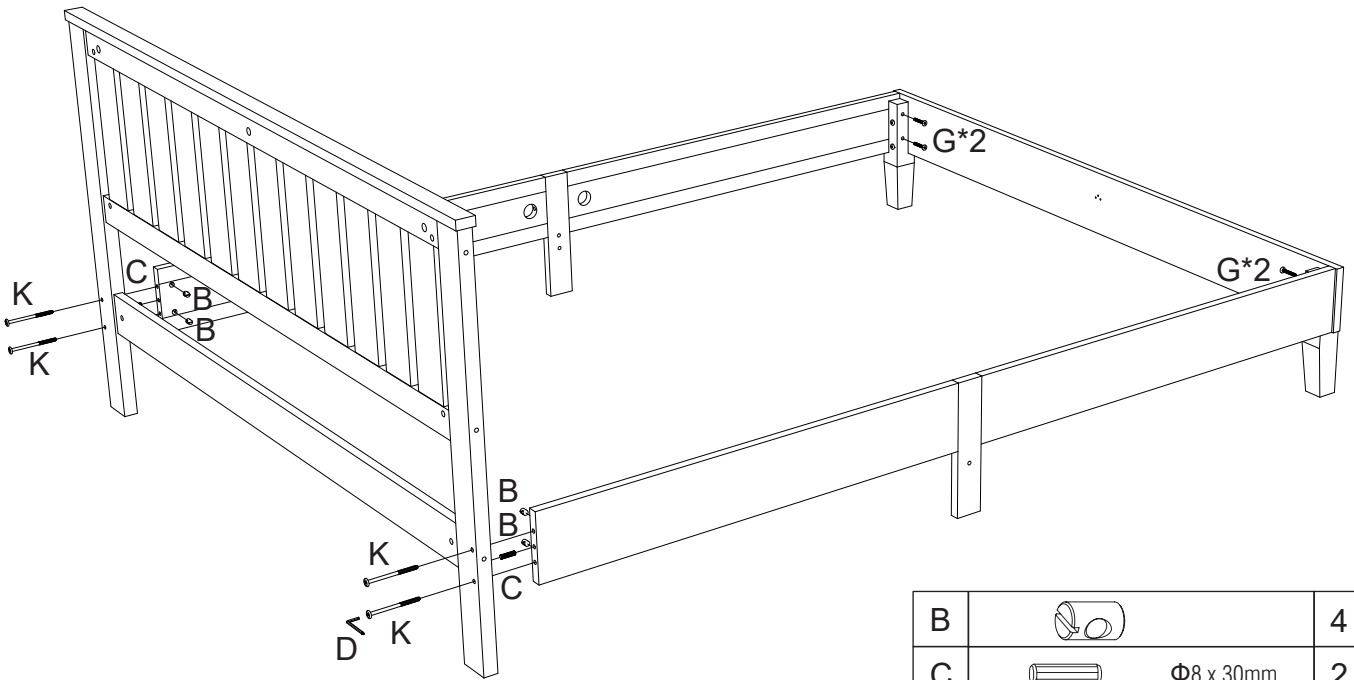
Step6

Use H, C to secure the connections. Attach I as indicated. Tighten the screws firmly.



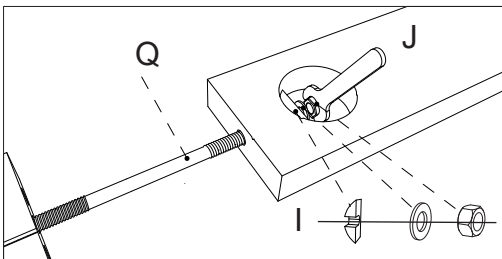
C		Φ8 x 30mm	8
H		M6 x 160mm	2
I			4
J			2

Step7 Assemble the head-end and foot-end into the structure according to the diagram. Tighten with K,B,C and G screws.

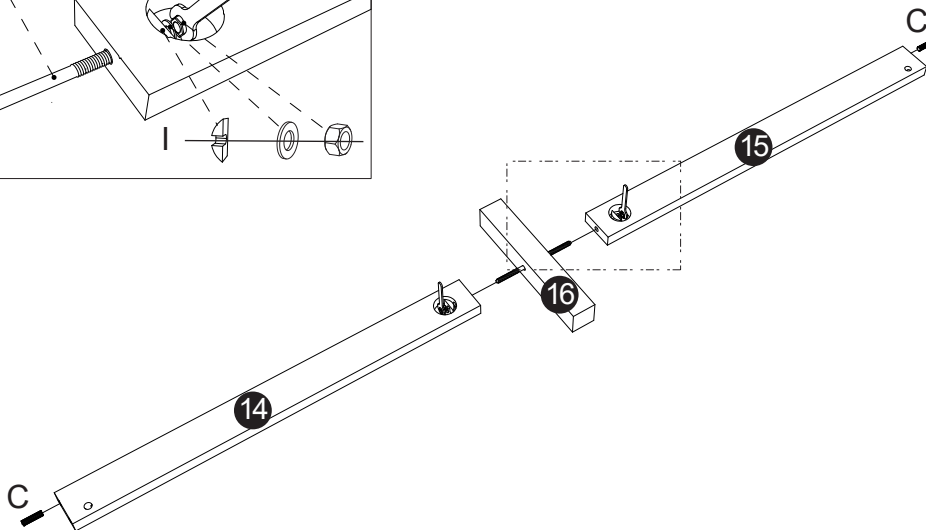


B			4
C		Φ8 x 30mm	2
D			1
G		M6 x 55mm	4
K		M6 x 70mm	4

Step8



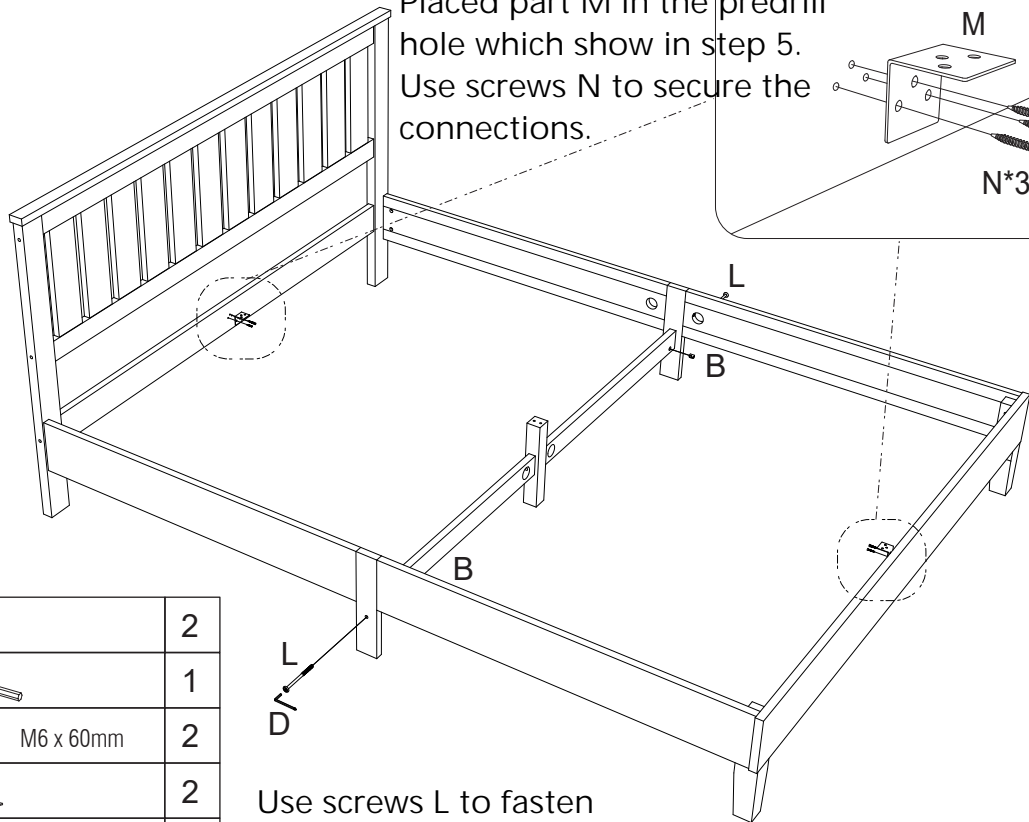
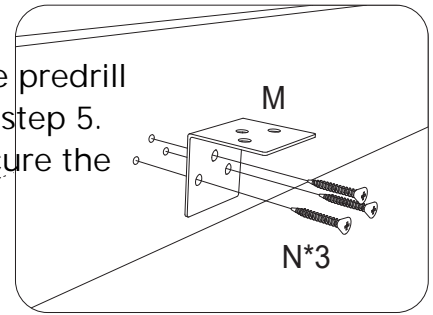
Use Q to secure the connections. Attach I as indicated. Tighten the screws firmly.



C		Φ8 x 30mm	2
I			2
J			2
Q		M6 x 140mm	1

Step9

Placed part M in the predrill hole which show in step 5. Use screws N to secure the connections.

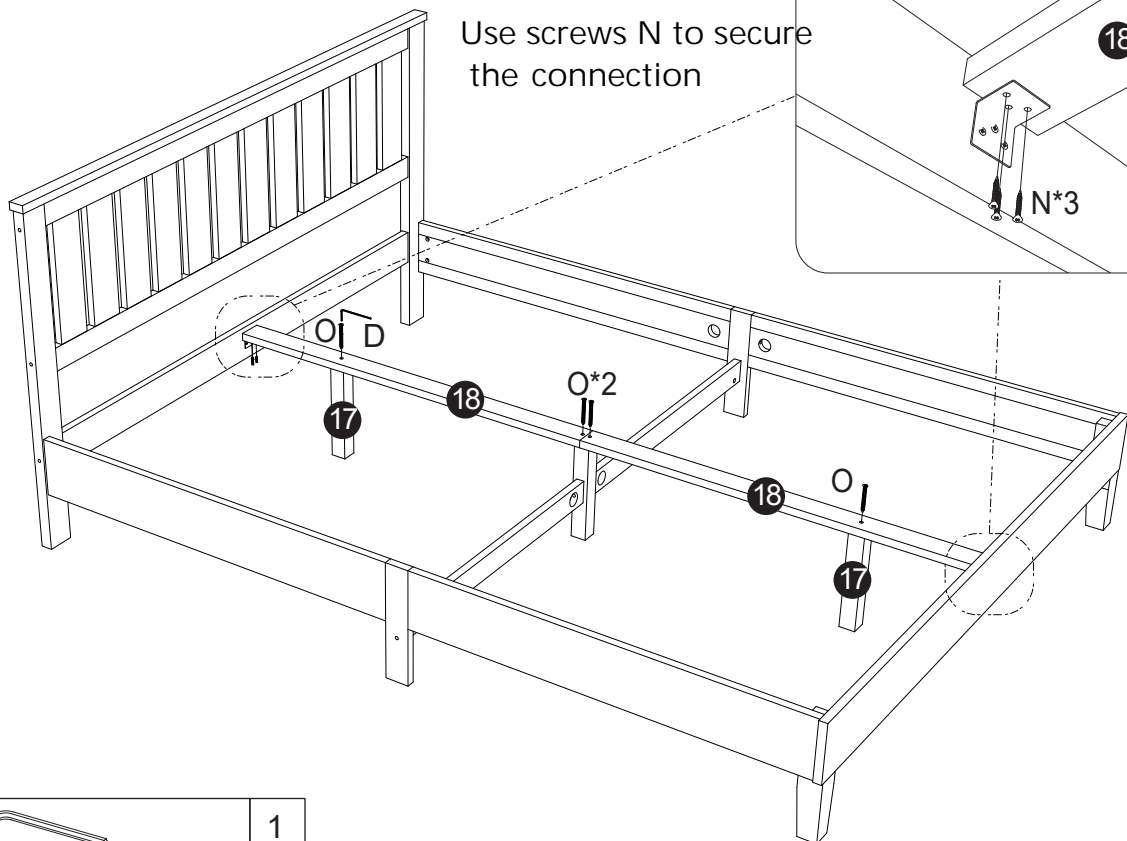
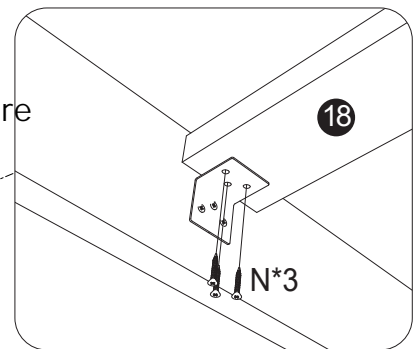


B		2
D		1
L		2
M		2
N		6

Use screws L to fasten the connection

Step10

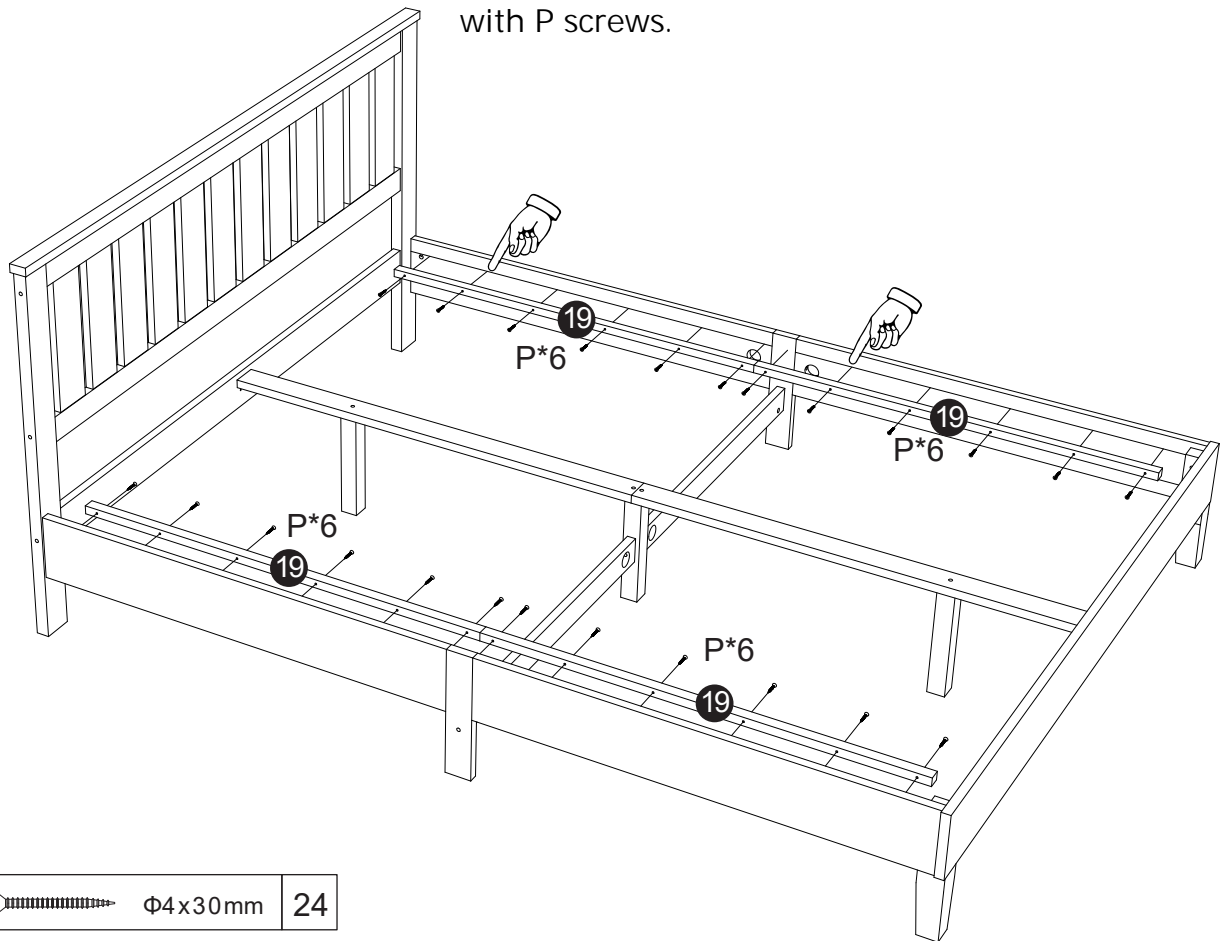
Use screws N to secure the connection




D		1
N		6
O		4

Step11

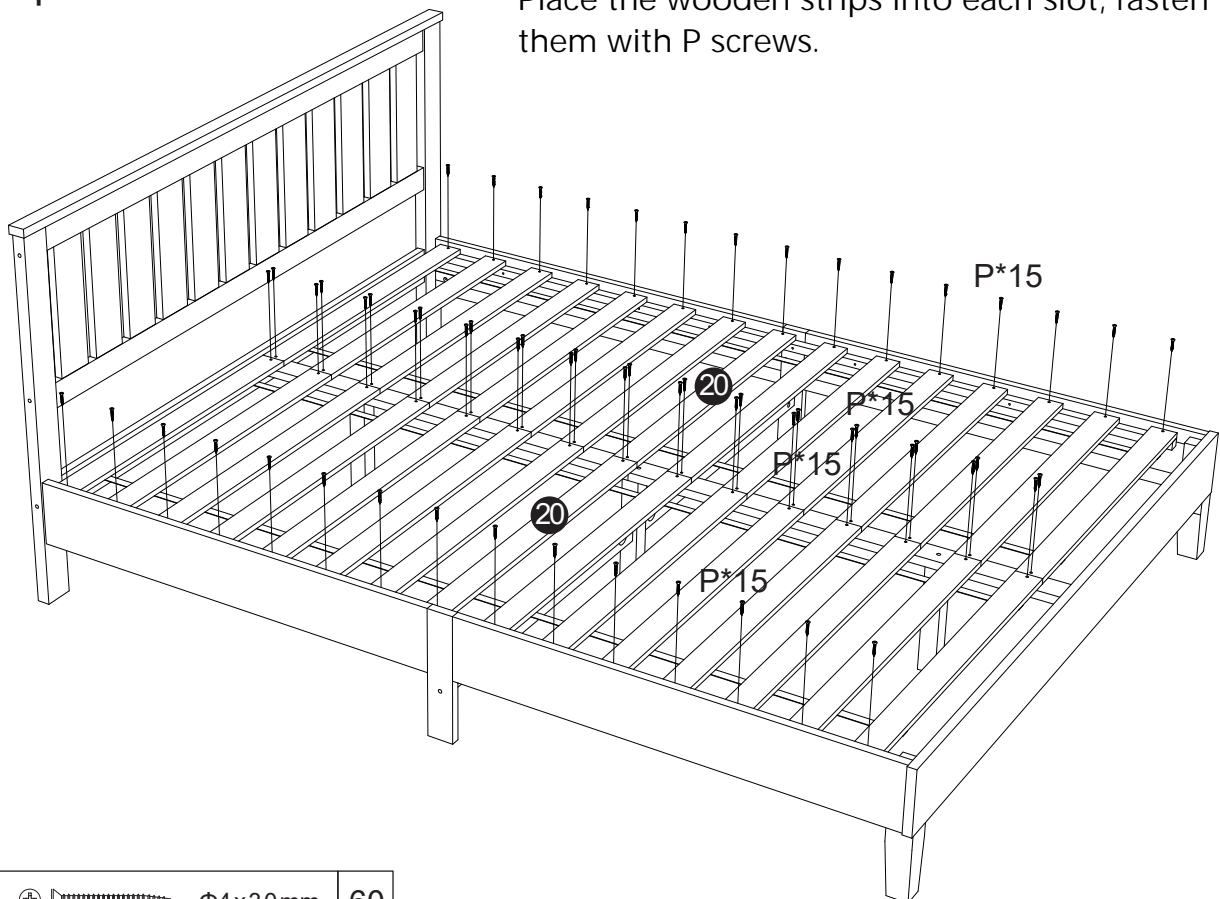
Place component 19 on both sides and secure it with P screws.



P		$\Phi 4 \times 30 \text{mm}$	24
---	---	------------------------------	----

Step12

Place the wooden strips into each slot, fasten them with P screws.



P		$\Phi 4 \times 30 \text{mm}$	60
---	---	------------------------------	----

FINISH

