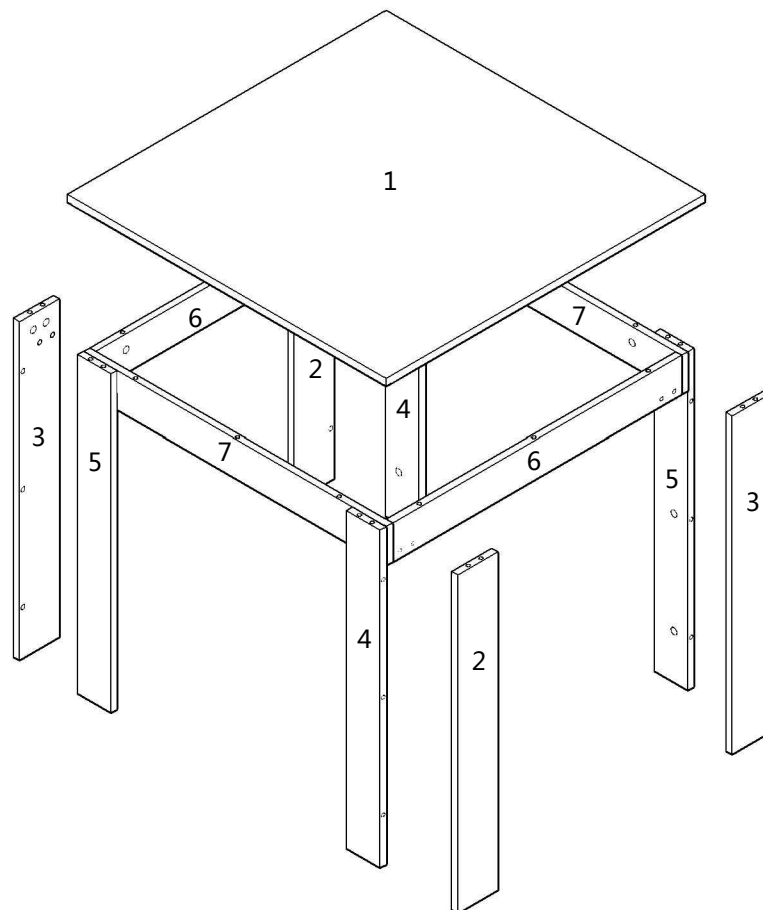
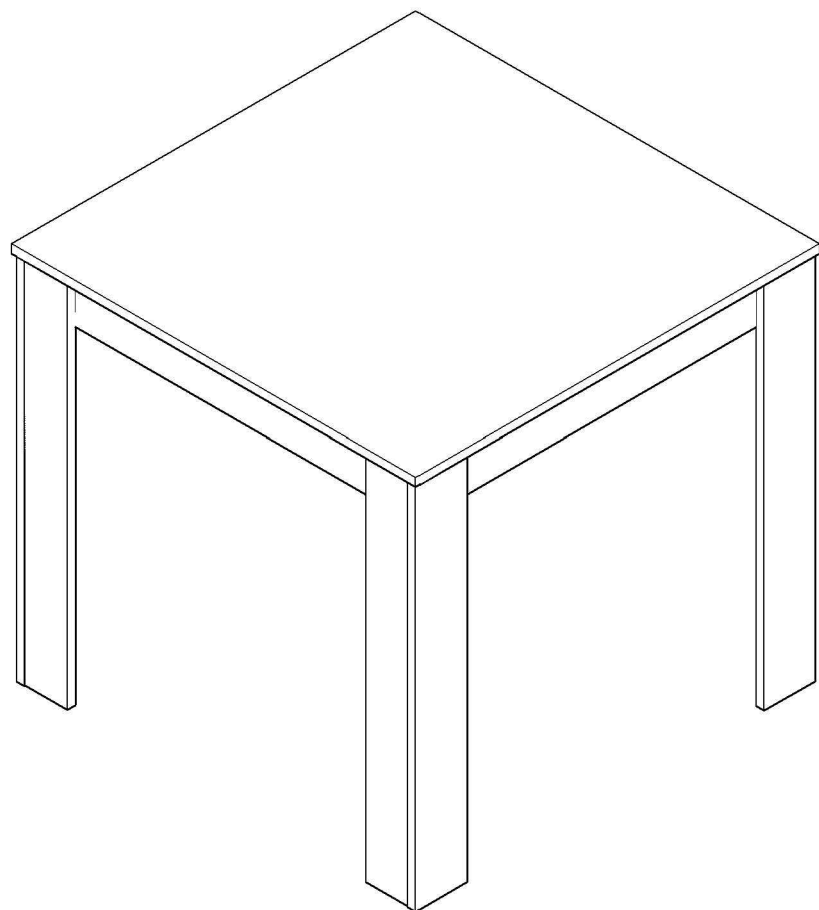
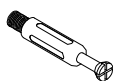


Olson PB 80cm Dining Table
DT-OLSON-S80

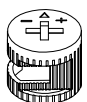


A 40+1sets

A1



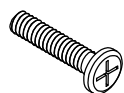
A2



B 8pcs
4*35



C 16+1pcs
6*25



D 12pcs

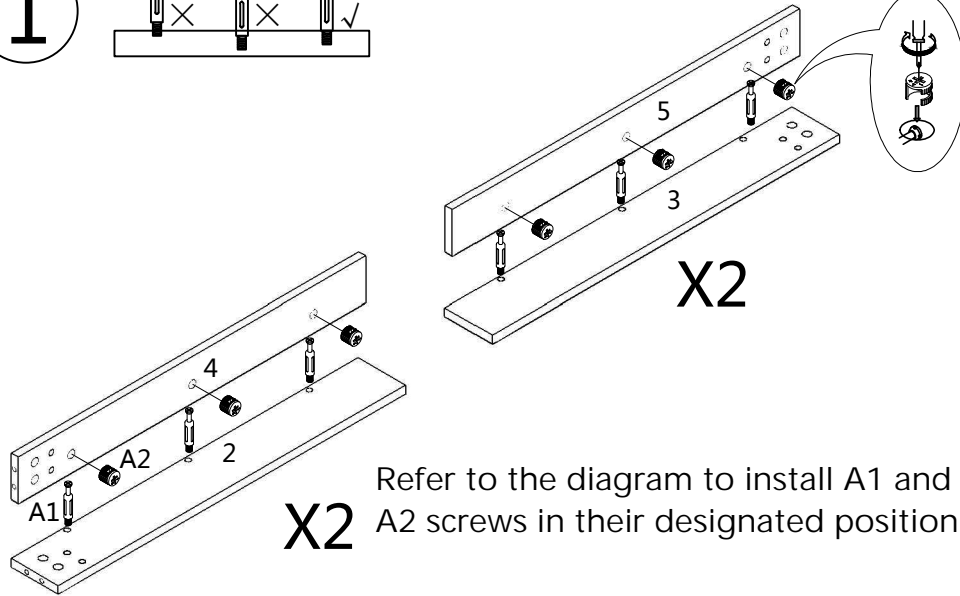
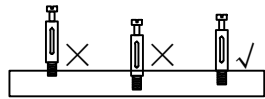


E +3pcs



--	--	--	--	--

1

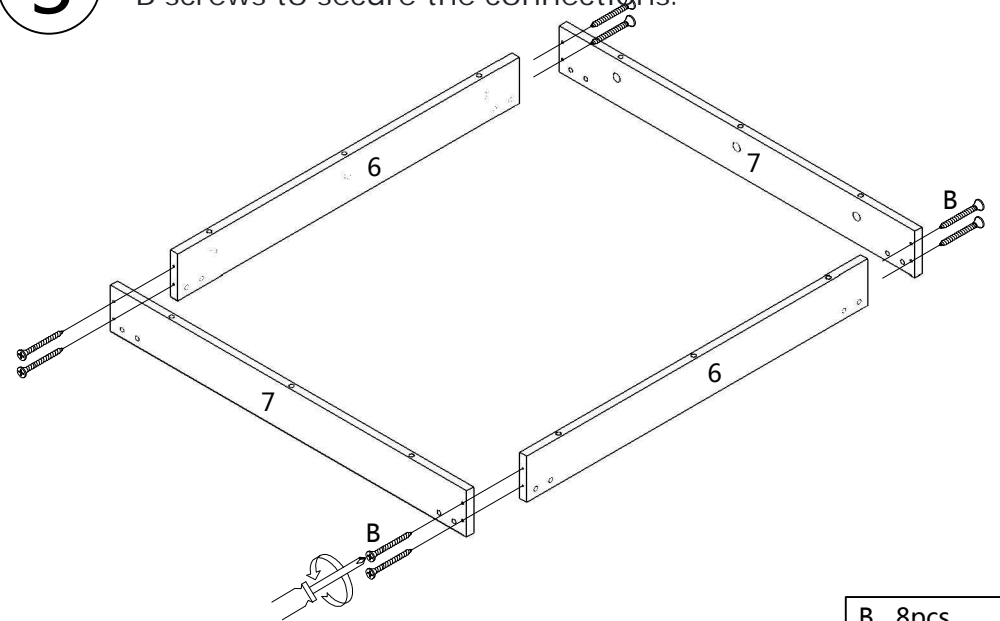


Refer to the diagram to install A1 and A2 screws in their designated position.

A 12sets

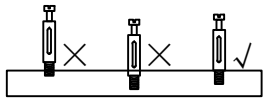
3

Assemble the parts in the manner shown. Use B screws to secure the connections.

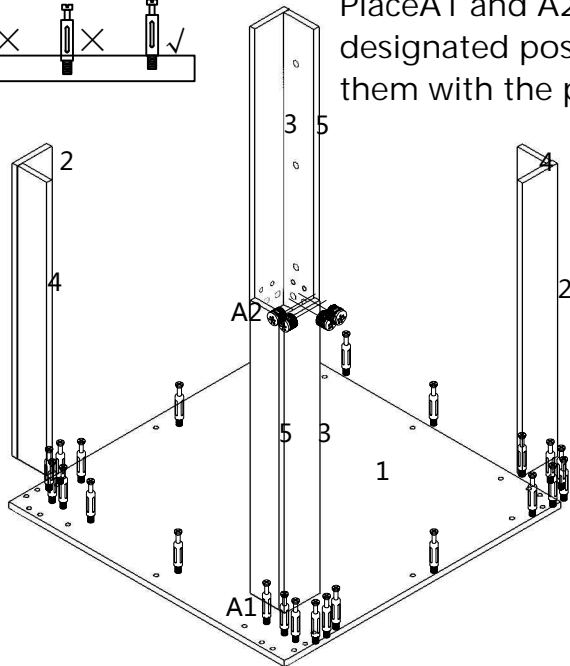


B 8pcs

2



Place A1 and A2 screws in the designated position and align them with the pre-drilled holes.

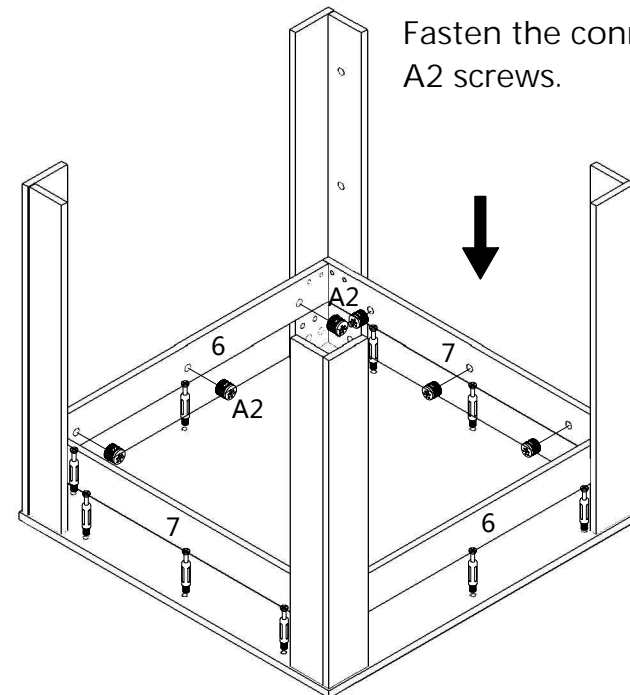


A1 28pcs

A2 16pcs

4

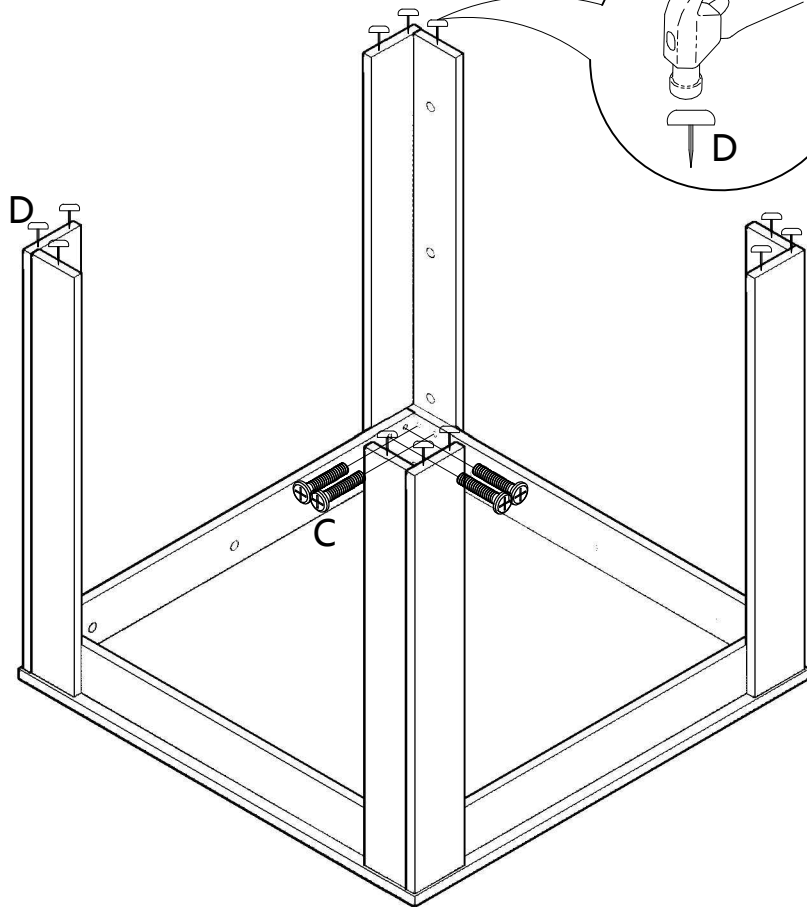
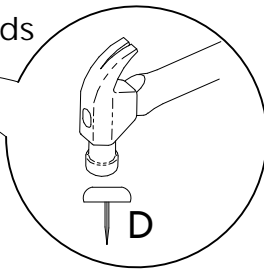
Fasten the connections with A2 screws.



A2 12pcs

5

Install rubber foot pads



C	16pcs
D	12pcs

6

