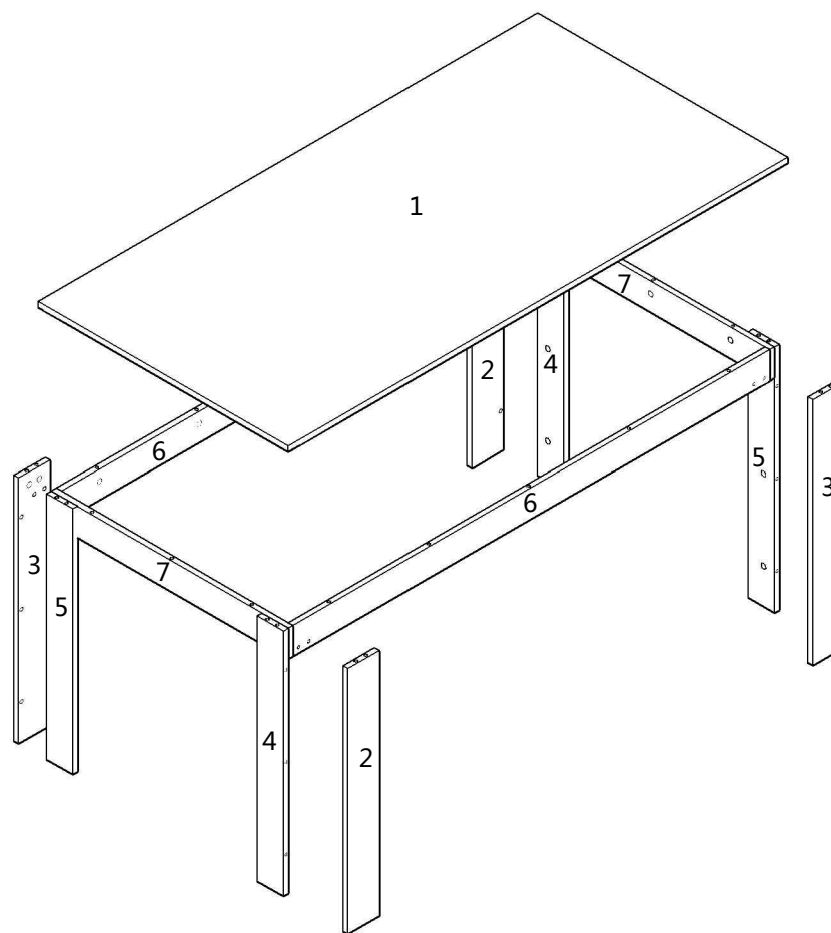
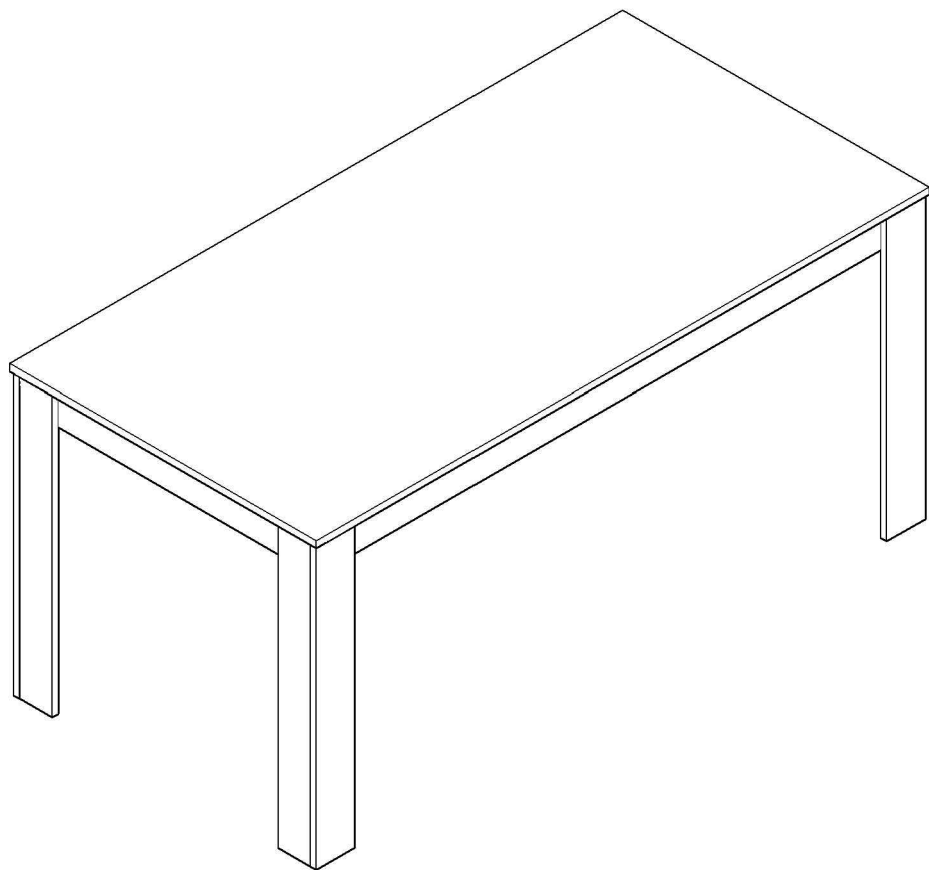


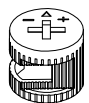
Olson PB 160cm Dining Table
DT-OLSON-R160



A 44+1sets



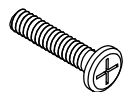
A2



B 8pcs
4*35



C 16+1pcs
6*25



D 12pcs

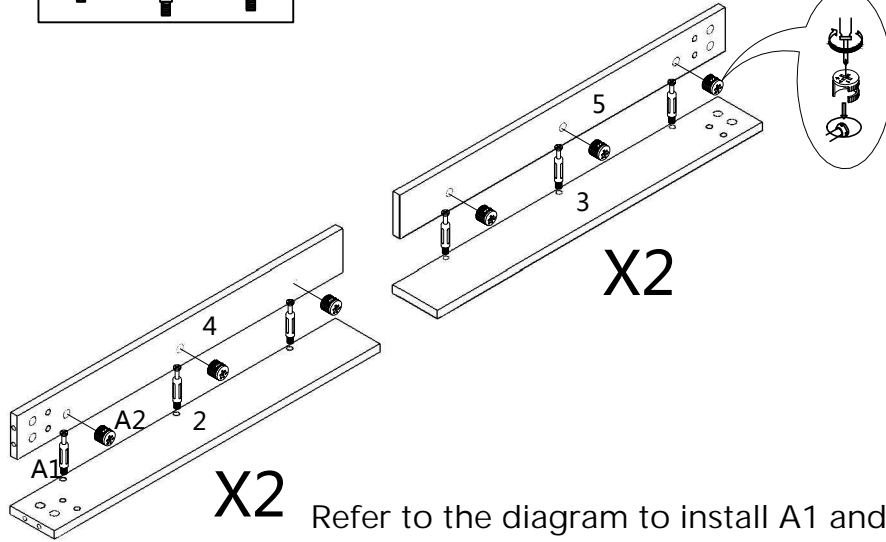
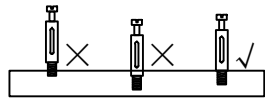


E +3pcs



--	--	--	--	--

1

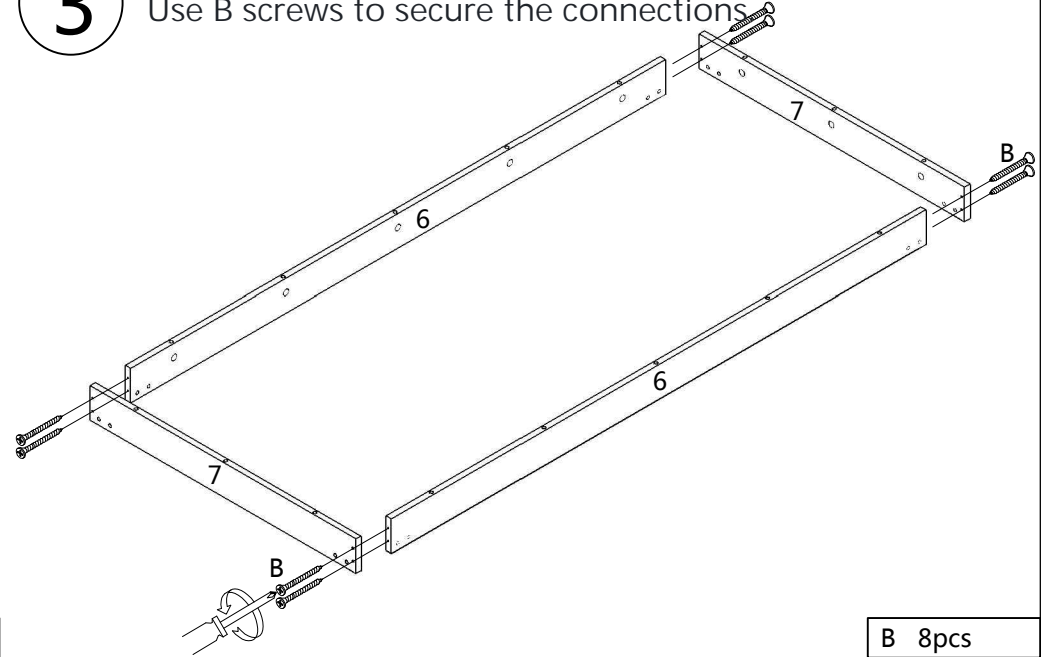


Refer to the diagram to install A1 and A2 screws in their designated positions.

A 12sets

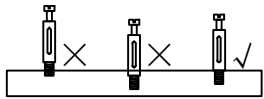
3

Assemble the parts in the manner shown. Use B screws to secure the connections.

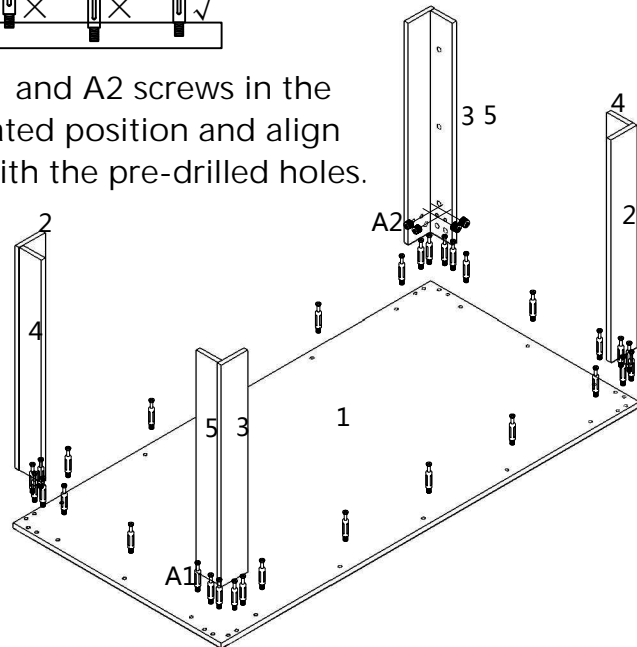


B 8pcs

2



Place A1 and A2 screws in the designated position and align them with the pre-drilled holes.



A1 32pcs

A2 16pcs

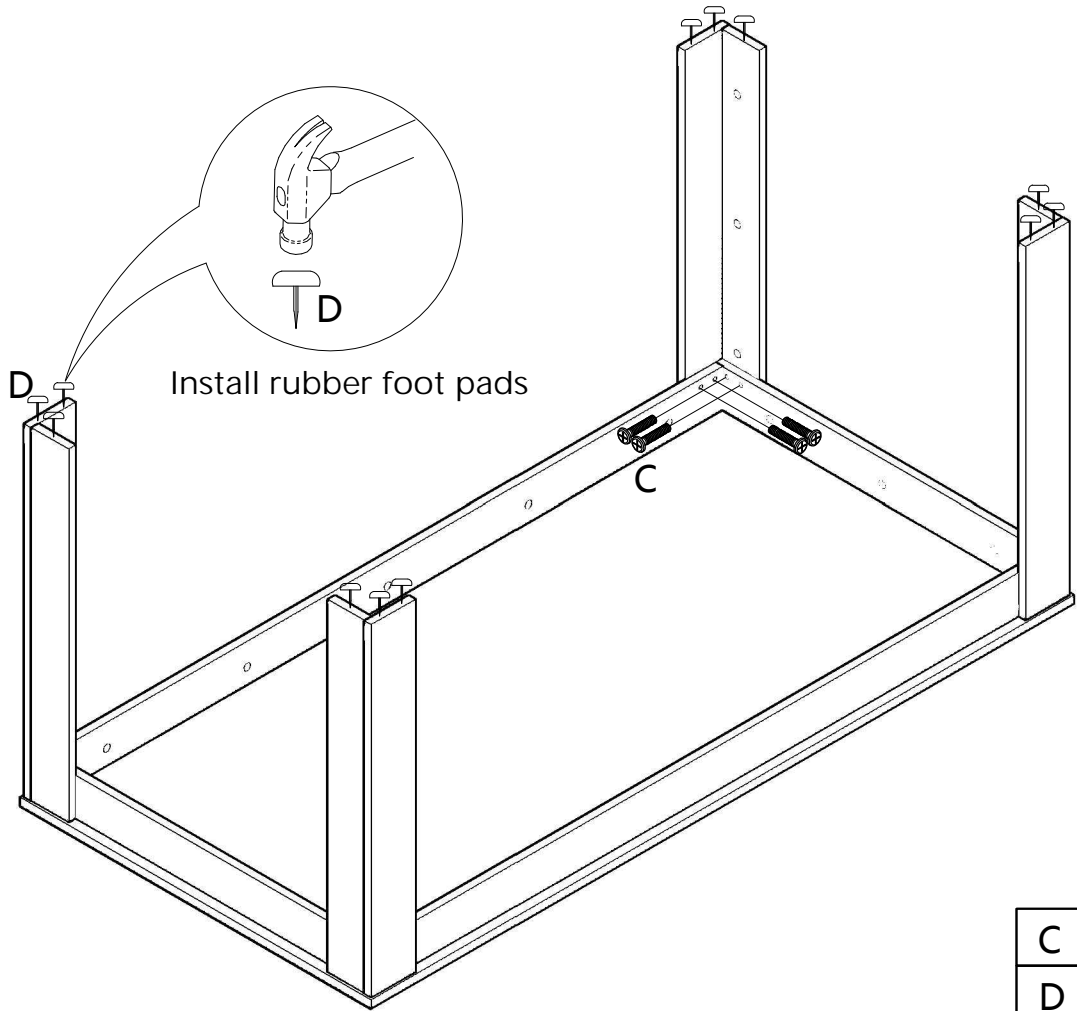
4

Fasten the connections with A2 screws.



A2 16pcs

5



C	16pcs
D	12pcs

6

