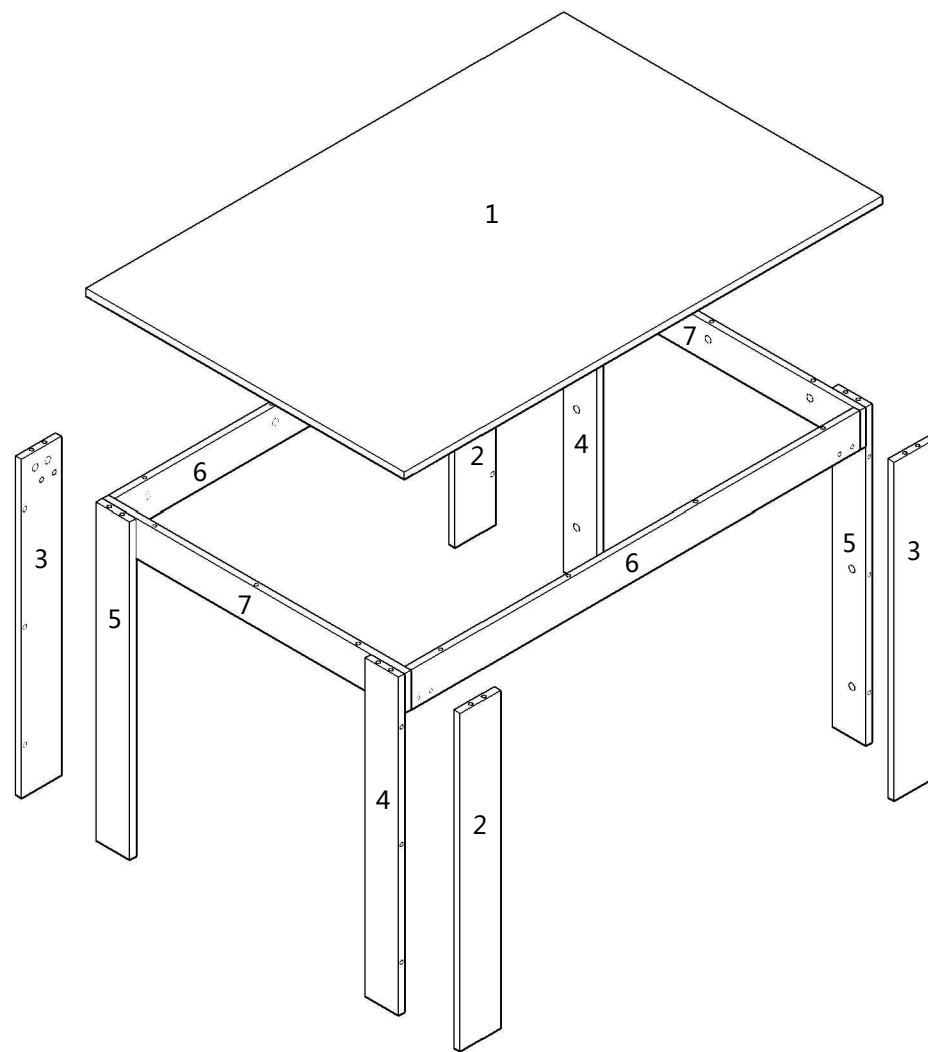
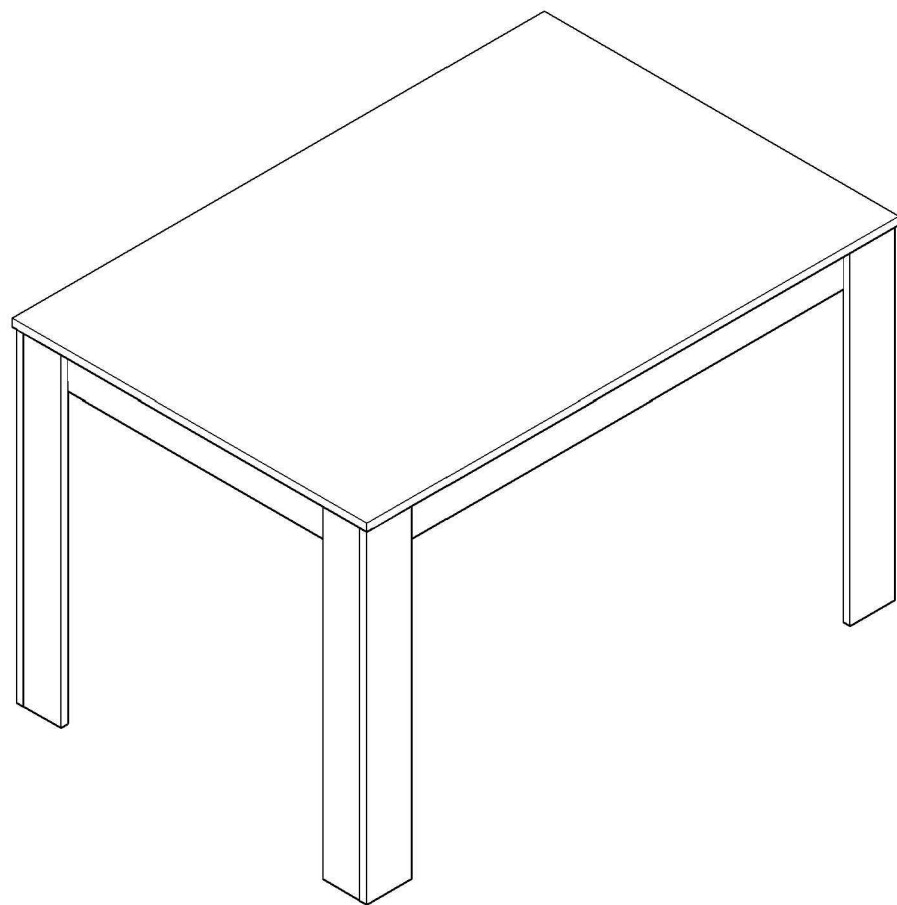
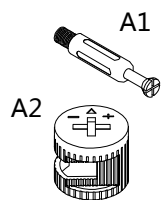


Olson PB 120cm Dining Table  
DT-OLSON-R120



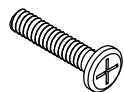
A 42+1sets



B 8pcs  
4\*35



C 16+1pcs  
6\*25



D 12pcs

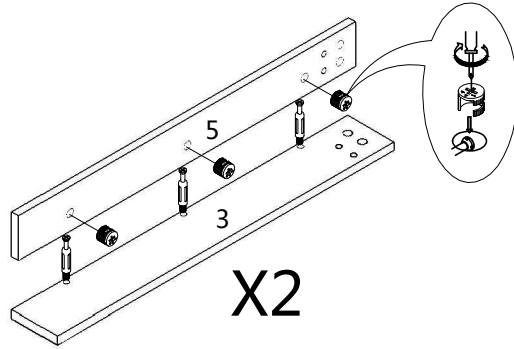
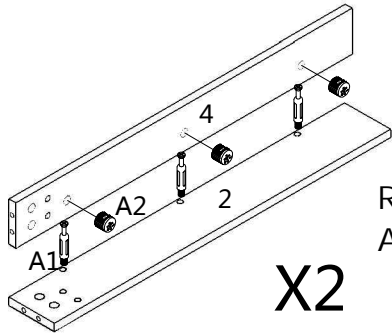
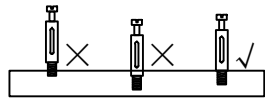


E +3pcs



--	--	--	--	--

1

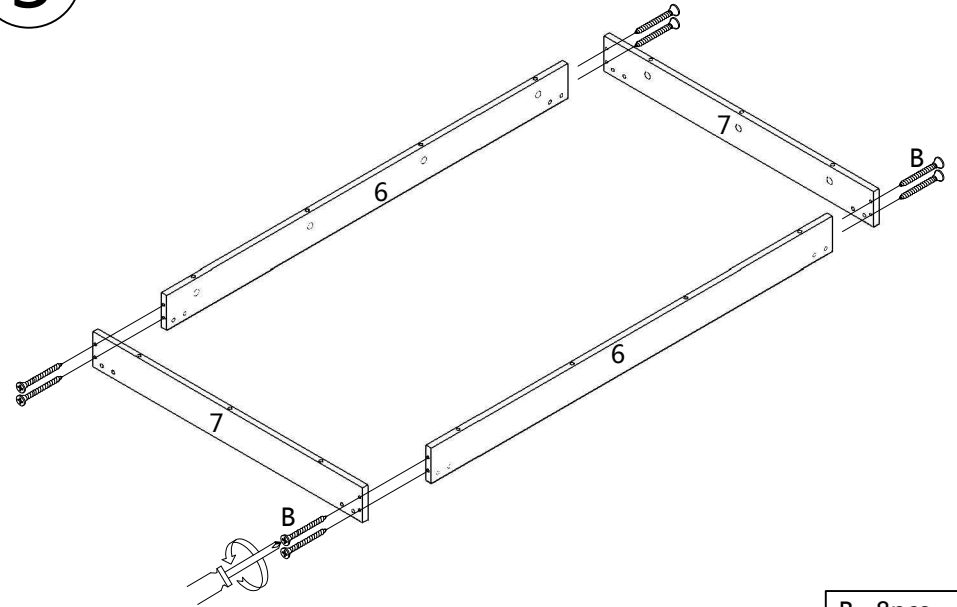


Refer to the diagram to install A1 and A2 screws in their designated positions.

A 12sets

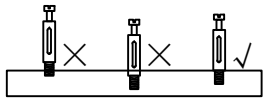
3

Assemble the parts in the manner shown. Use B screws to secure the connections.

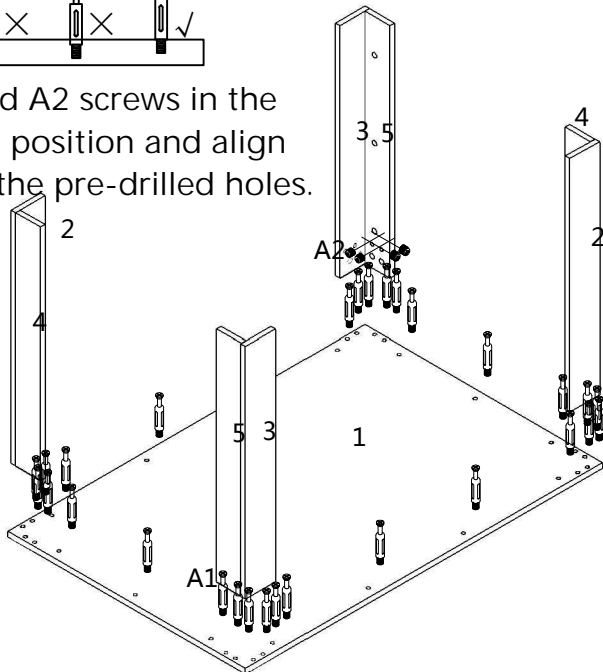


B 8pcs

2



Place A1 and A2 screws in the designated position and align them with the pre-drilled holes.

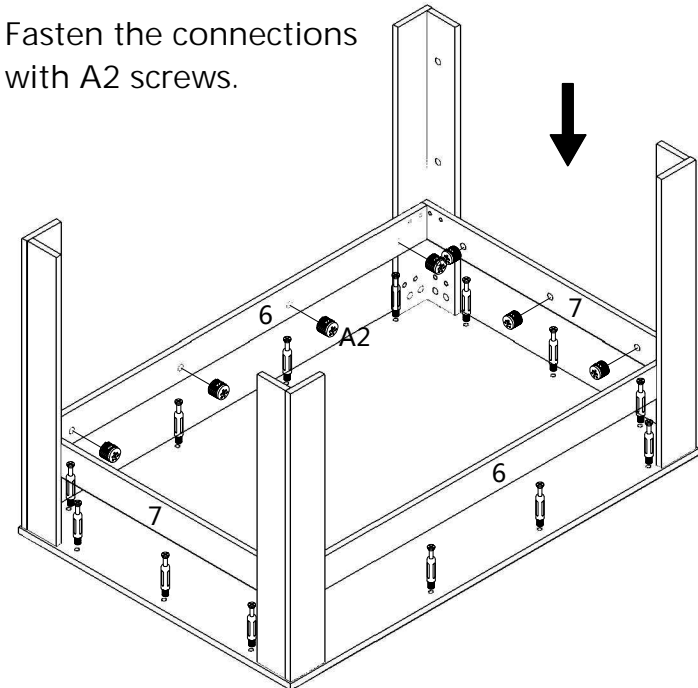


A1 30pcs

A2 16pcs

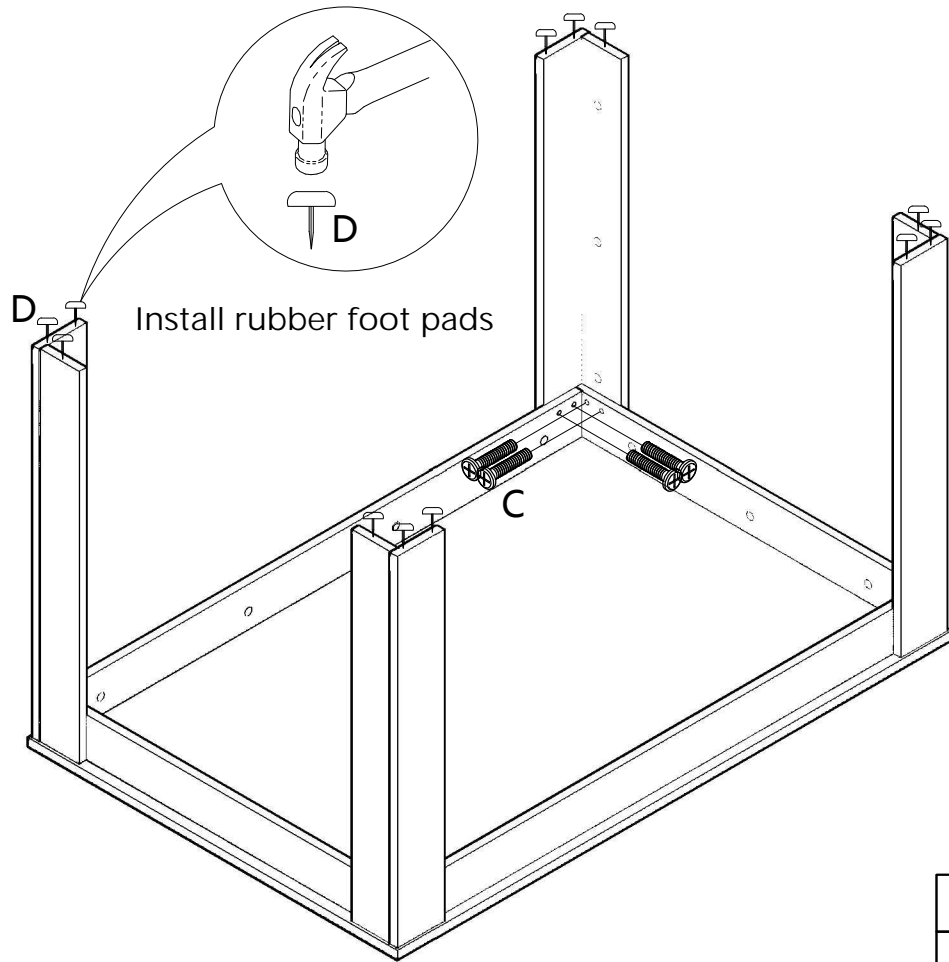
4

Fasten the connections with A2 screws.



A2 14pcs

5



C	16pcs
D	12pcs

6

