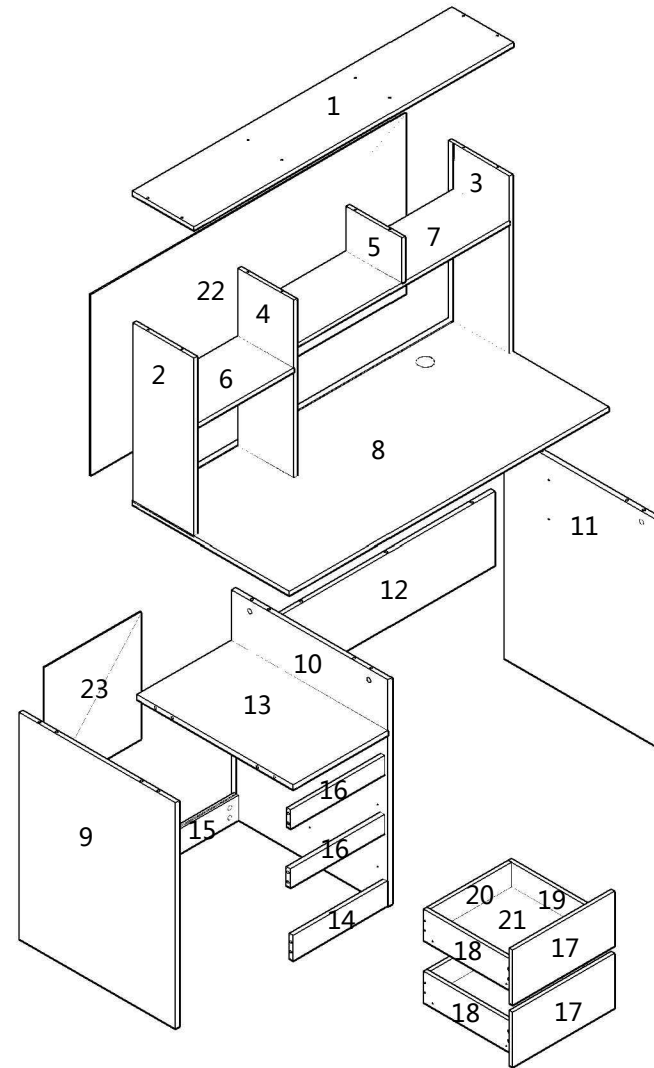
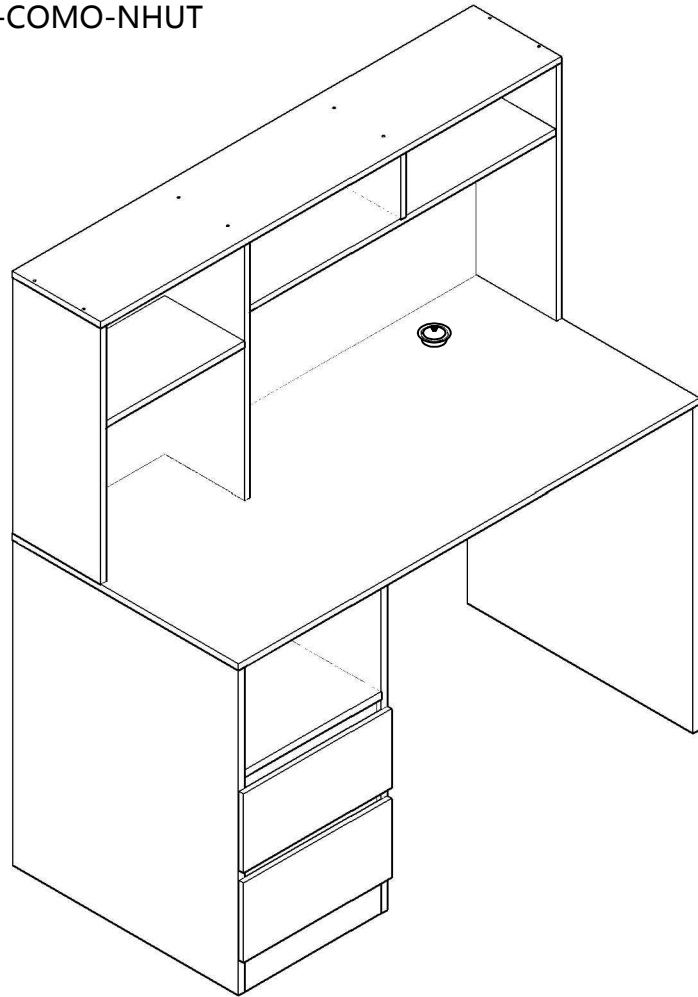
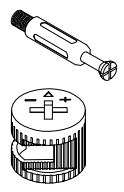
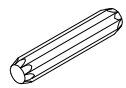


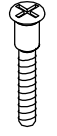
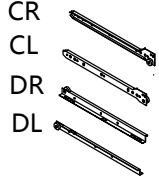
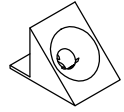
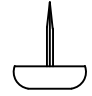
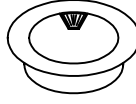
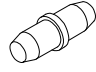


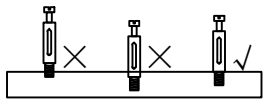
Como Study Desk With Hutch 2 Drawer

OT-COMO-NHUT

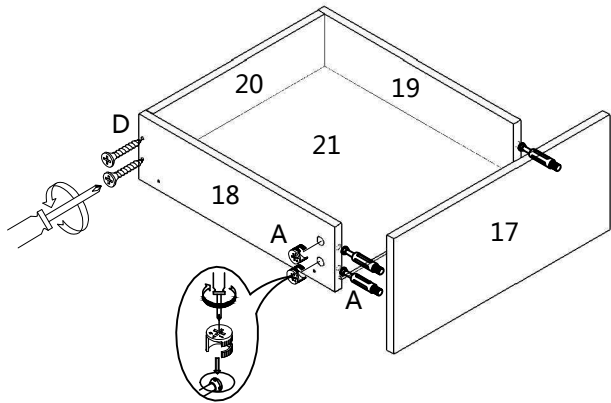
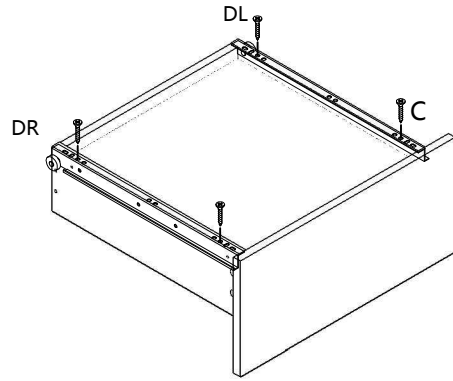


<p>A 41+1pcs</p> 	<p>B 14+1pcs 8*40</p> 	<p>C 32+2pcs 3.5*14</p> 	<p>D 8pcs 3.5*30</p> 	<p>E 16pcs 5*40</p> 	<p>F 2pcs 350mm</p> <p>CR CL DR DL</p> 	<p>G 10pcs</p> 	<p>H 6pcs</p> 	<p>J 1pcs</p> 	<p>K 4pcs</p> 
---	--	--	---	---	---	---	--	--	--

1



Tighten the screws firmly, avoid over-tightening or too loosen.

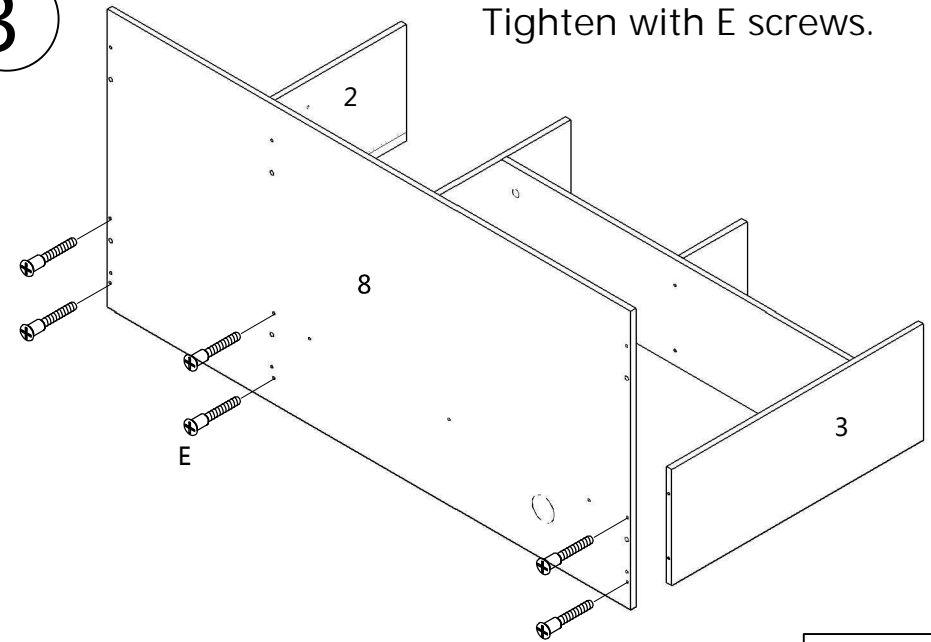


X2

A	8pcs
C	8pcs
D	8pcs
DL	2pcs
DR	2pcs

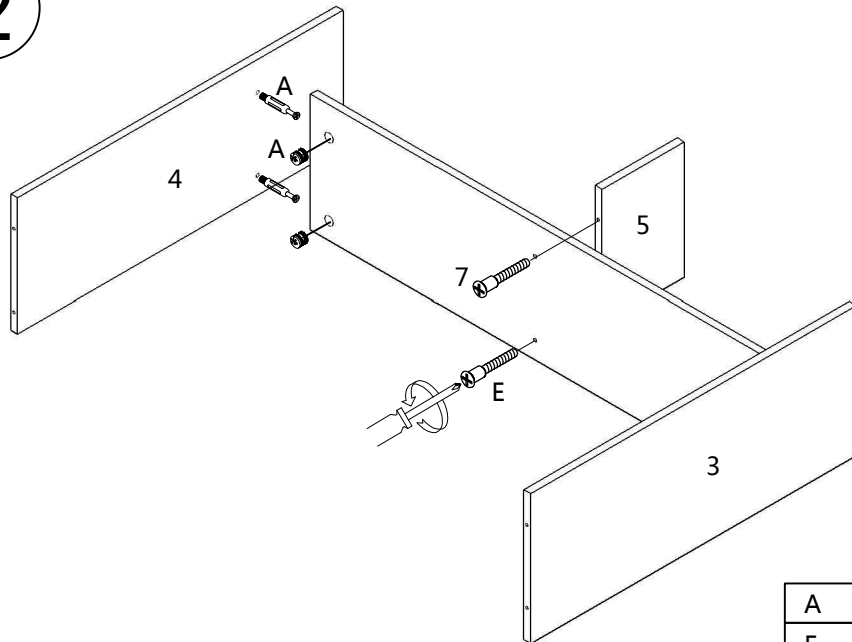
3

Tighten with E screws.



E 6pcs

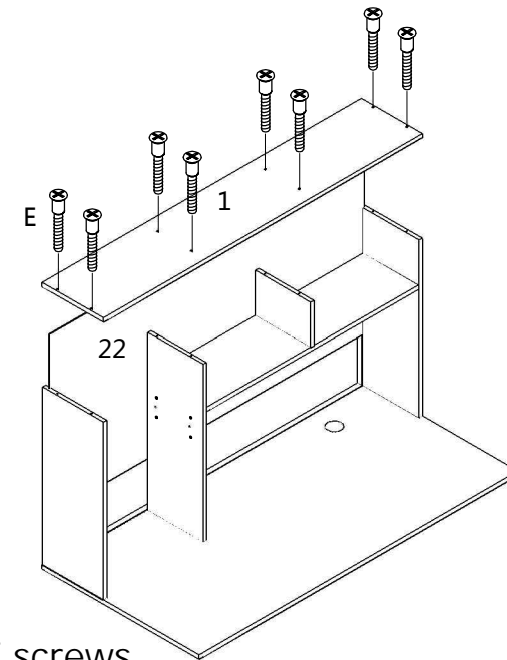
2



A	4pcs
E	2pcs

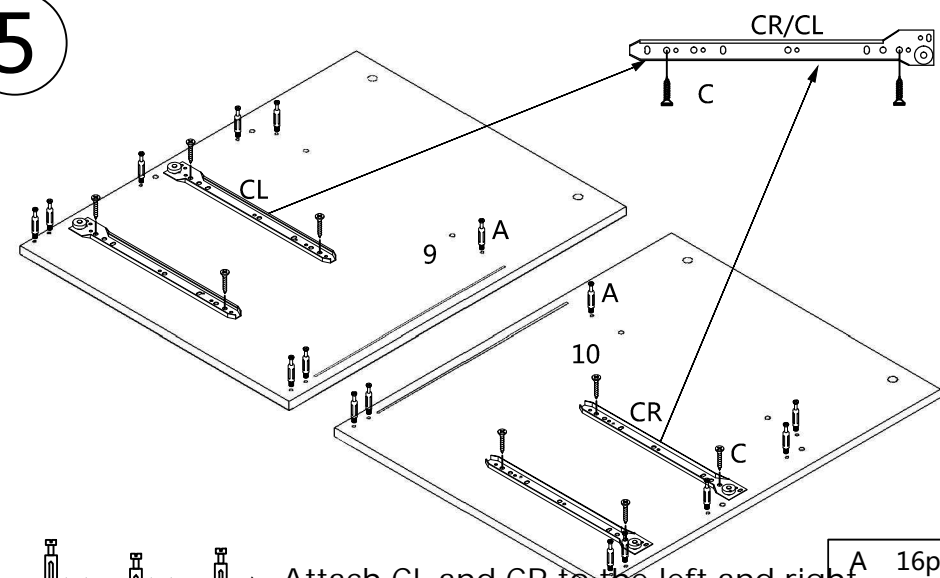
4

Tighten with E screws.



E 8pcs

5

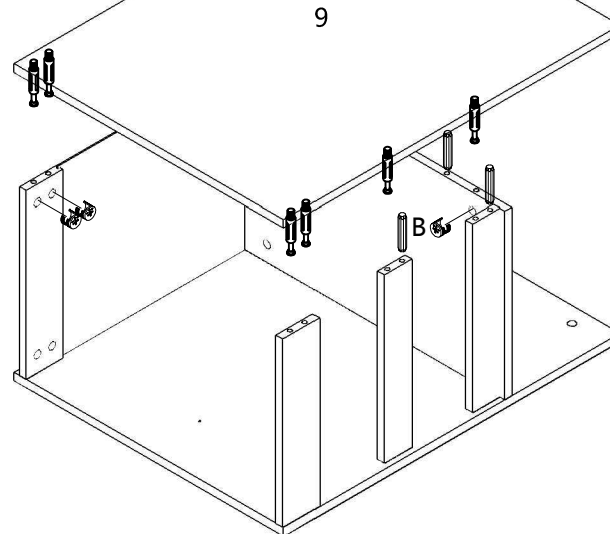


Attach CL and CR to the left and right sides of the base frame, tighten with C screws.

A	16pcs
CL	2pcs
CR	2pcs

7

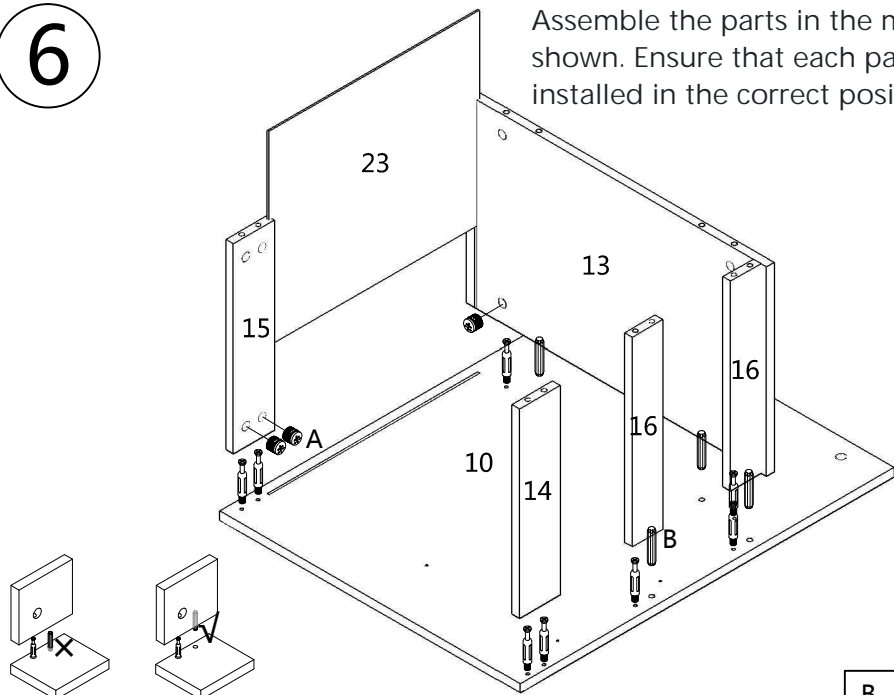
Secure with A,Bscrews, ensuring the desktop is level and firmly attached.



B	4pcs
---	------

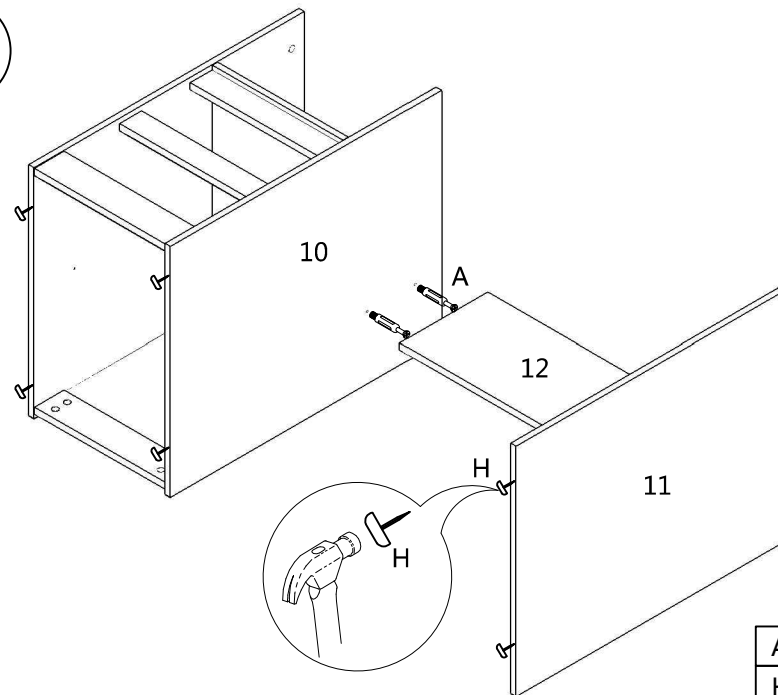
6

Assemble the parts in the manner shown. Ensure that each part is installed in the correct position.



B	4pcs
---	------

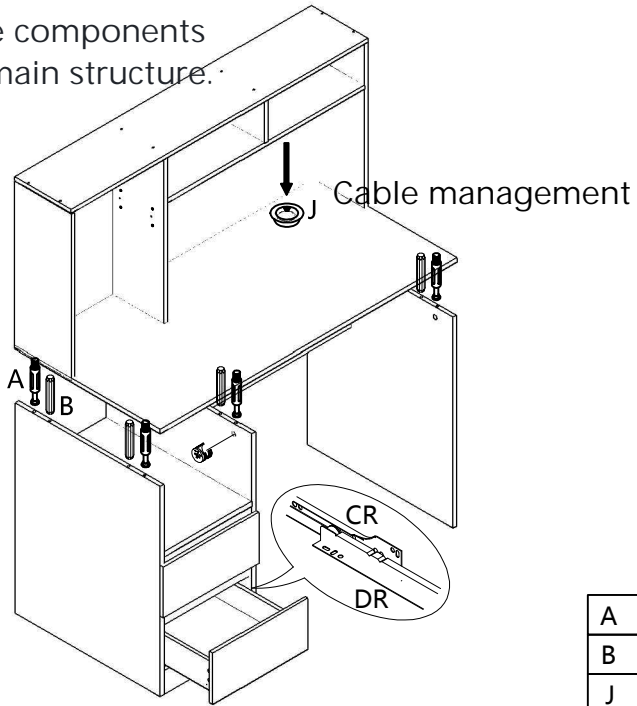
8



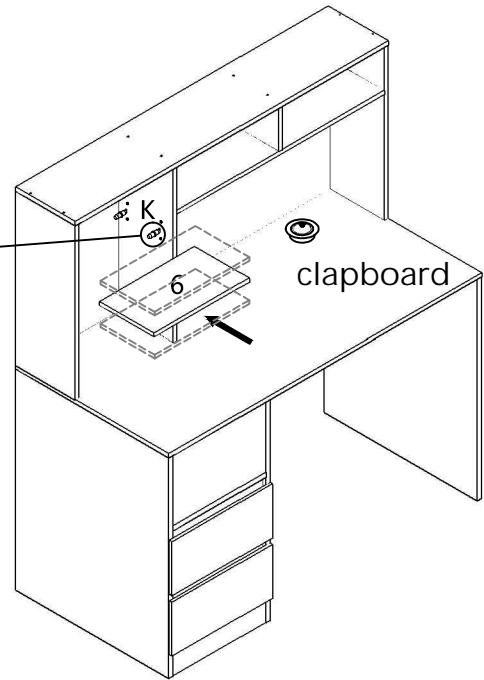
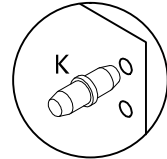
A	4pcs
H	6pcs

9

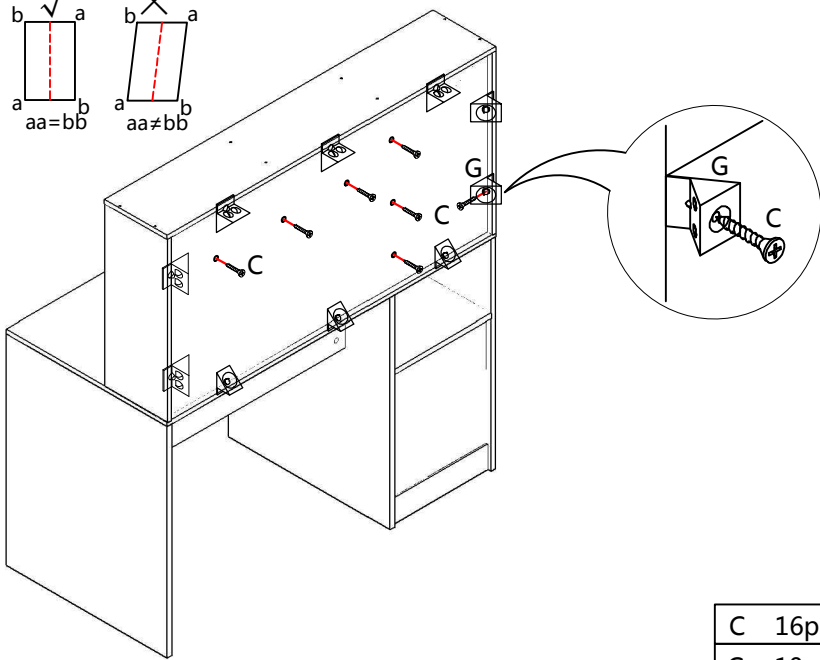
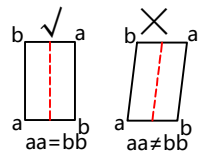
Install the components into the main structure.



11

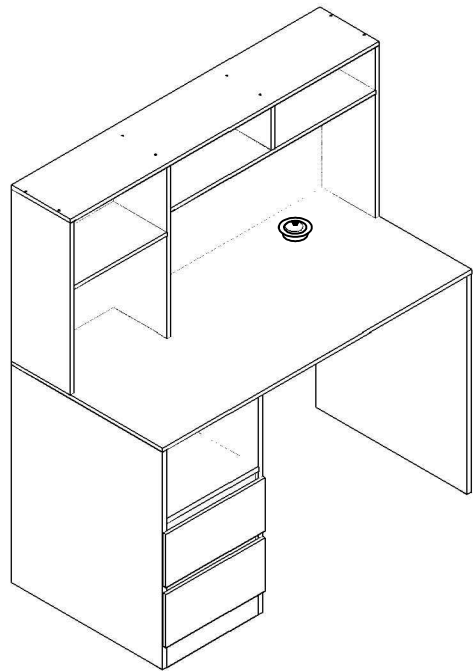


10

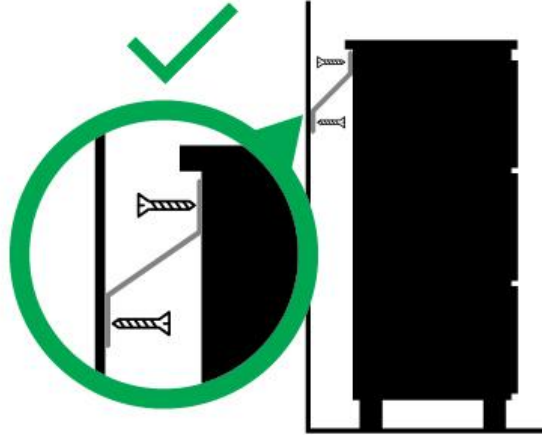


C	16pcs
G	10pcs

12



WARNING



Children have died from furniture tipover.

- ALWAYS secure this furniture with an anchor device.
- NEVER allow children to stand, climb or hang on drawers, doors, or shelves.
- NEVER open more than one drawer at a time.
- Place heavy items down low.

NEVER put a TV
on this furniture

