

USER MANUAL



WaterMark
AS/NZS 3662: 2005
LIC WMK25817
SAI Global

Water Efficiency Labeling and Standards
(WELS) Approved Products

SPECIFICATIONS :

Recommended use : Domestic, hotel, commercial
Colour Available : Finished-Chrome or Matte black
Pressure rating : Minimum operating pressure 150 kpa
Maximum operating pressure 1000 kpa
(Note: As per AS/NZS 3500.1-2003, pressure must be limited to 500 kpa maximum operating pressure)

Maximum Hot Water Temperature: 80 °C

Please note:

These products must be installed by a licenced plumber.
These products is already factory assembled and tested so as to give the best performance, we do not recommend the dismantling of any internal part of the product.

All pipe works must be thoroughly flushed before installation, as foreign materials may block the regulating device and reduce the flow of water, when installing a shower set, it's imperative that the pipes are bled slowly to relieve the pressure. Failure to perform this operation could lead to the shower head being distorted or blown apart.

CARE DETAILS

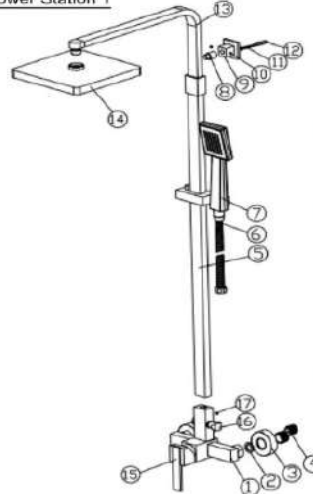
Cleaning Recommendations

Any bathroom products should not be cleaned with abrasive materials egs. steel wool/scourers. Do not use any corrosive or abrasive cleaning agents containing acids or scouring agents. Bleaches can also discolour products and therefore should not be used. Damage caused by any improper treatment is not covered by the product warranty.

Warranty

All shower set comes with 5 year warranty.
It covers 30 days return for refund or replacement,
5 years time replacement on parts and cartridge.

Shower Station 1



Installation steps

1. Wrap the wall water outlet male thread with plumbing tape.
2. Put shower rail onto mixer diverter, lock with nut 17.
3. Wrap plumbing tape on a-unsure 4 and screw a-unsure 4 to hot/cold water outlet in the wall, then screw cover plate 3 to a-unsure 4.
4. Put rubber washer 2 into the hex nut of mixer body 1, screw the hex nut to the other end of the a-unsure and tighten up by spanner.
5. Fit part 12 with screw 11 in the proper place upper mixer diverter, put bracket 9 on.
6. Pull out the shower rail 13 from pipe 5, adjust the height as required, twist the joint B into shower rail 13, and then fit shower rail 11 to wall, lock with nuts 10.
7. Connect the shower head 15 to shower rail 13 and connect the shower hose 6 with mixer body 1 and hand shower 7.

Shower station 2

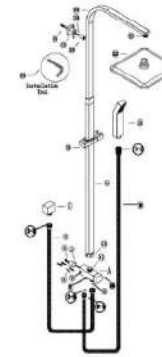


Installation steps

1. Wrap the wall water outlet male thread with plumbing tape. Take part 2, connect it to water outlet.
2. Loose the nut 6&15 on the sliding rail 8 and shower arm 16, put part 7 onto sliding rail 8, and then connect both of them to diverter 5, lock with the nuts.
3. Put diverter 1 directly into water outlet, lock with the nut 3.
4. Fix 10 into screw 11 in the proper place under diverter 1. Move bracket 9 onto 10, then lock with nut 6.
5. Screw the overhead 19 to shower arm 16.
6. Connect the shower hose 13&14 with sliding rail 12 and hand shower 15.

Please note: Part 2 has been installed inside the bracket, please move it off before installation.

Shower station 3

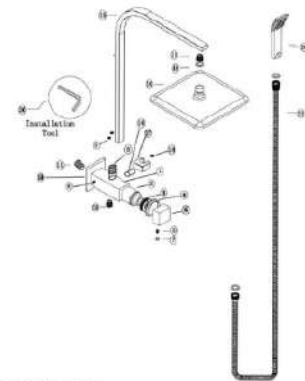


Installation steps

1. Wrap the wall water outlet male thread with plumbing tape.
2. Put part 15 onto sliding rail 8, and then connect sliding rail 8 to diverter 2, lock with the nuts.
3. Fix diverter 1 directly to wall.
4. Fix part 19 with screw 16 in the proper place upper diverter A. Move bracket 17 onto 15, then lock with nut.
5. Screw the overhead 22 to shower arm 21.
6. Connect part 1 to water outlet, and the water hose 2-1 to part 1, then connect 2-2 to part 6.
7. Connect shower hose 9 with part 7 and hand shower 12.

Please note: Part 1 has been installed inside the bracket, please move it off before installation.

Shower station 4



Installation steps

1. Wrap the wall water outlet male thread with plumbing tape.
2. Take out part 11, connect it to water outlet.
3. Loose nut 9 in shower rail, and then put the shower rail onto part 8, lock with nuts 8.
4. Install the diverter 1 to water outlet, lock with nut 5.
5. Screw shower head 14 to shower rail 15.
6. Connect shower hose 21 with diverter 19 and hand shower 20.

Please note: Part 11 has been installed inside the bracket, please move it off before installation.