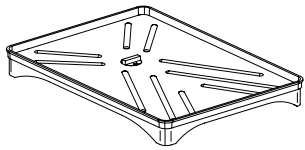


Single layer telescopic frame

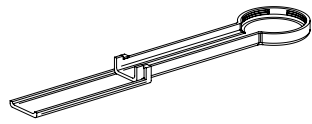
Accessorise list

A Water tray



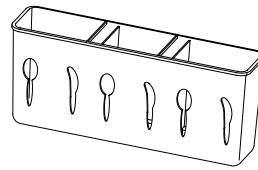
1pcs

B Drain



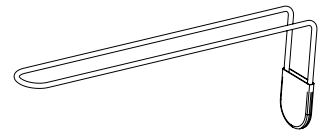
1pcs

C Chopstick barrel



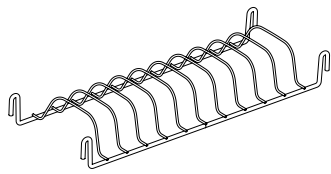
1pcs

D Foot



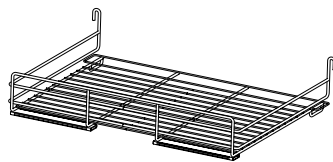
2pcs

E Bowl rack



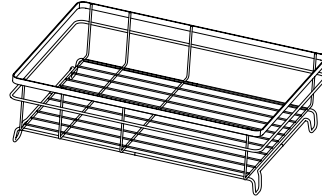
1pcs

F Telescoping frame



1pcs

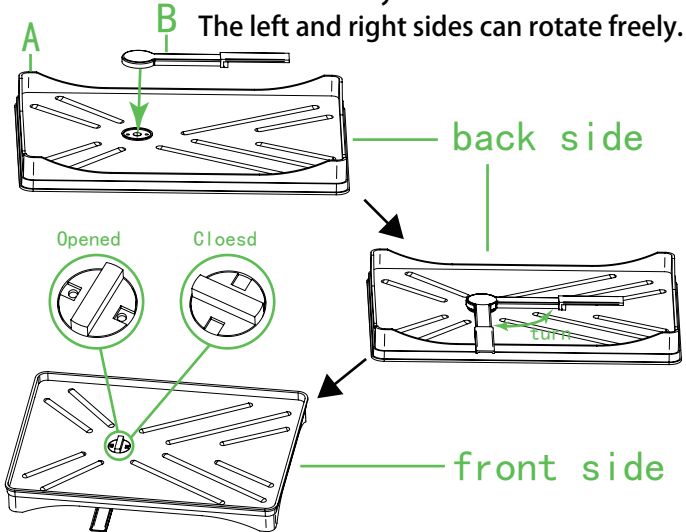
G Shelf



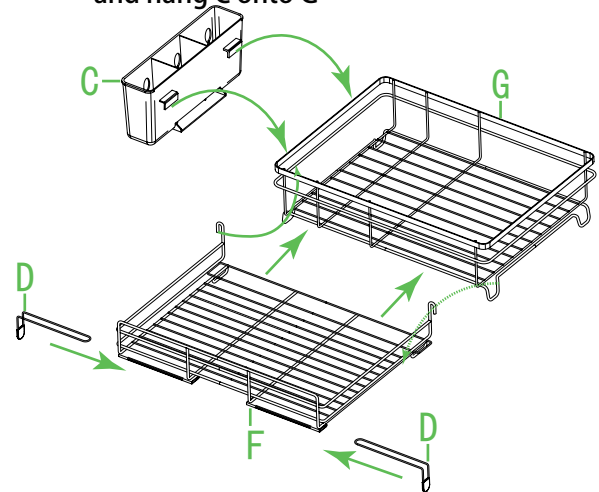
1pcs

Installation steps

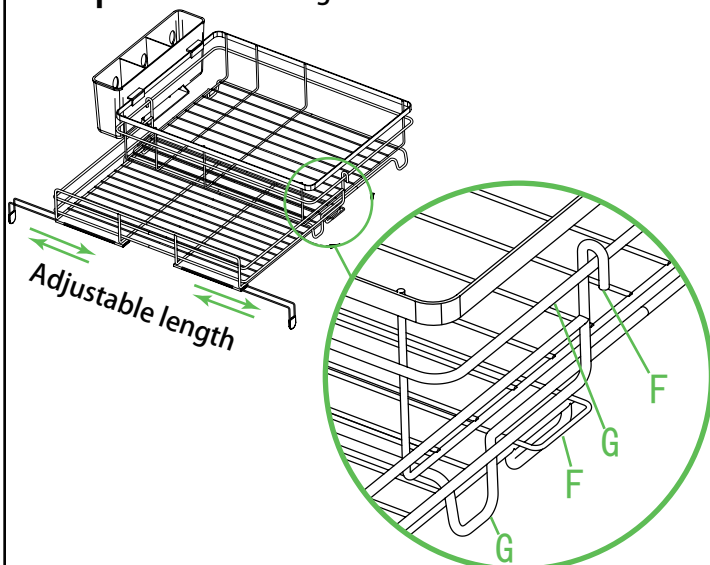
Step 1 Align the drainage channel with the round hole behind the water tray and flatten it.



Step 2 Insert D into F, then hang the combination of D and F into G (see Figure 3 for details), and hang C onto G



Step 3 Detailed diagram of F and G



Step 4 Hang E into G, and then place the whole on A to complete the assembly

