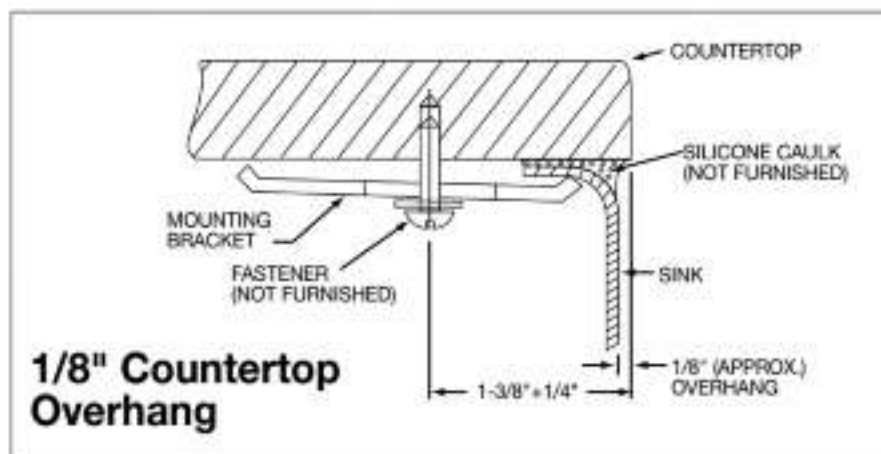
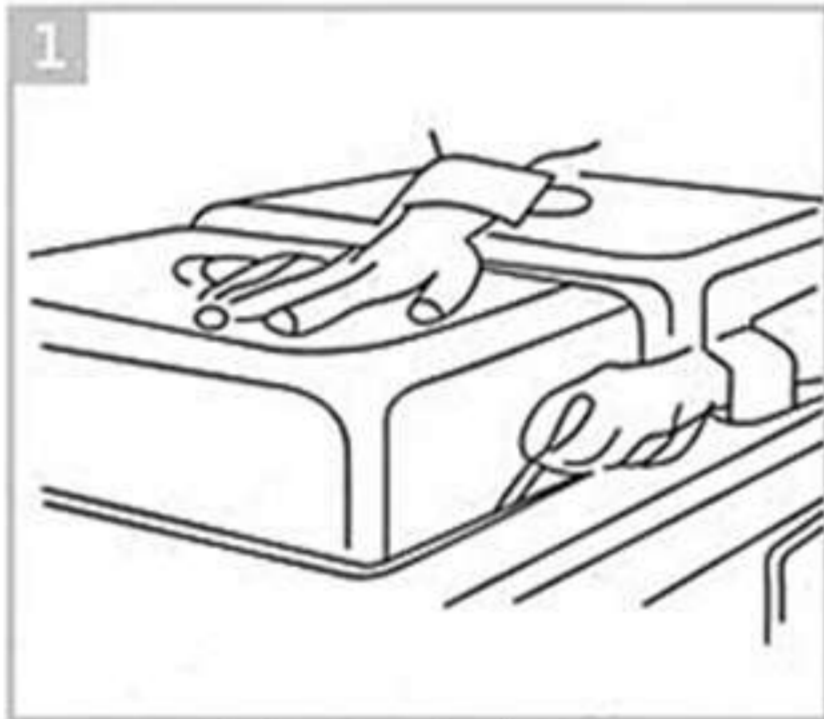


INSTALLING SINK

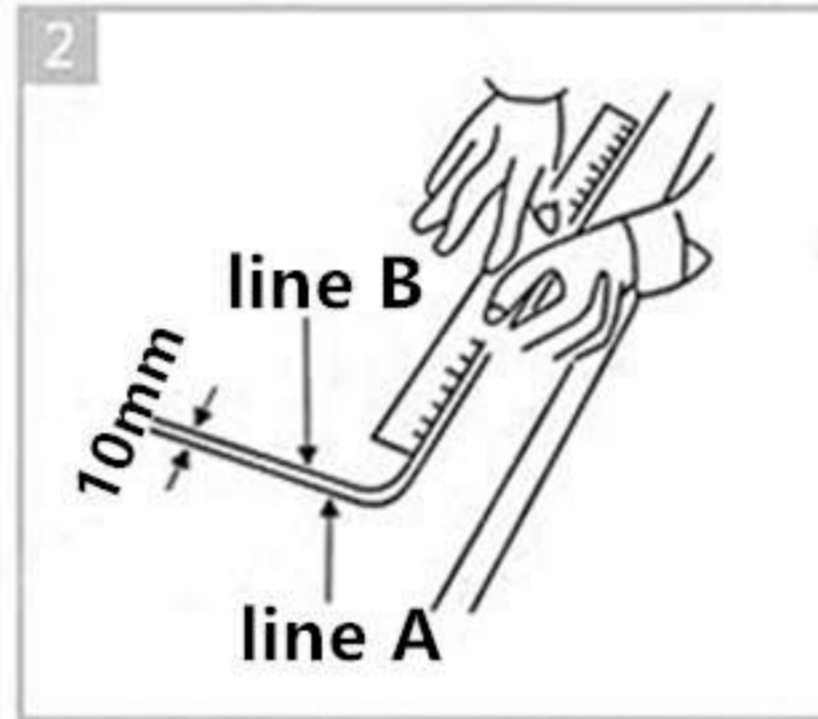
1. Position template on countertop. Locate the template front to rear, so that sink will not interfere with the cabinet.
2. Trace a line around the template. Cut along the inside of this line to provide opening. This size opening will provide approximately an 1/8" overhang of countertop.
3. Locate and drill the mounting holes (following the countertop manufacturer's instructions) as shown below. Holes should allow even spacing of mounting brackets around the sink. Type of fasteners to be as recommended by countertop supplier.
4. Fasten mounting brackets to countertop loosely.
5. Using a good quality silicone caulk, apply a bead evenly all around the top of the sink flanges.
6. Position and align sink over the countertop opening. Press silicone onto countertop.
7. Tighten fasteners until mounting brackets are snug against sink.
8. Check alignment of sink to countertop opening.
9. Tighten down fasteners evenly. Be careful not to overtighten. Remove excess silicone.



Installation Instruction for Topmount (Drop-in) Sinks



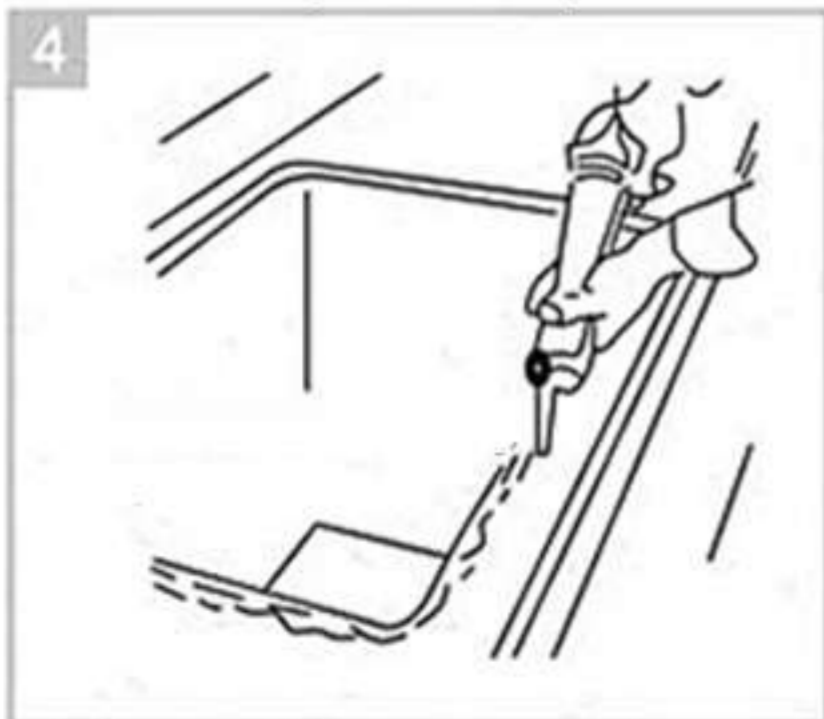
1. Position sink on worktop & make sink outline (line A)



2. Mark line B 10mm inside the sink outline (line A)



3. Cut the sink cutout to the inside of line B



4. Use silicone sealant to the cut surface , ensure good seal



5. Position sink carefully and slowly