

## Safety Precautions:

1. When any external wire fittings are required, you must cut the power off completely during wiring. All electrical wiring work should be done by a qualified electrician. At any time during wiring, the power must remain disconnected.
  2. This product is supplied with a fitted three pin socket and three-wire cable, to avoid any risks or danger it must be earthed
- This product is designed to operate at **220-240V**.
3. To avoid any possible risk or danger, any change of or repair to the damaged internal wires must be done by a qualified technician who is deemed qualified by the industry standard.
  4. When moving the product, ensure the main part of the product is properly held and moved, and not dragged by the cable to prevent damage.
  5. Any hard scrubbing or scratching to the product surface is strictly prohibited, as is the use of any cleaning products which contain acid or corrosive agents.

## Warning:

1. Only use for drying textiles which have been dampened by water.
2. The original wire cannot be replaced, when it is unworkable, the whole product should be replaced.
3. If the appliance is supplied from a cord extension set or electric portable outlet device, and the cord extension set or electric portable outlet device should be positioned so that it is not subject to splashing or excessive moisture.
4. The bottom rail of this product **MUST** be installed at least 600mm above the floor in order to avoid risk of harm to young children.

# Heated Towel Rail



Name:	<u>Heated Towel Rail</u>	Rated Voltage:	<u>220-240V</u>
Model:	<u>ZNY-R-06BUYG</u>	Power	<u>70W</u>
Size:	<u>620*600*122mm</u>	IP Degree:	<u>IP55</u>

# Instructions

Before using this product, please read the following instructions carefully and keep for future reference.

## The Product:

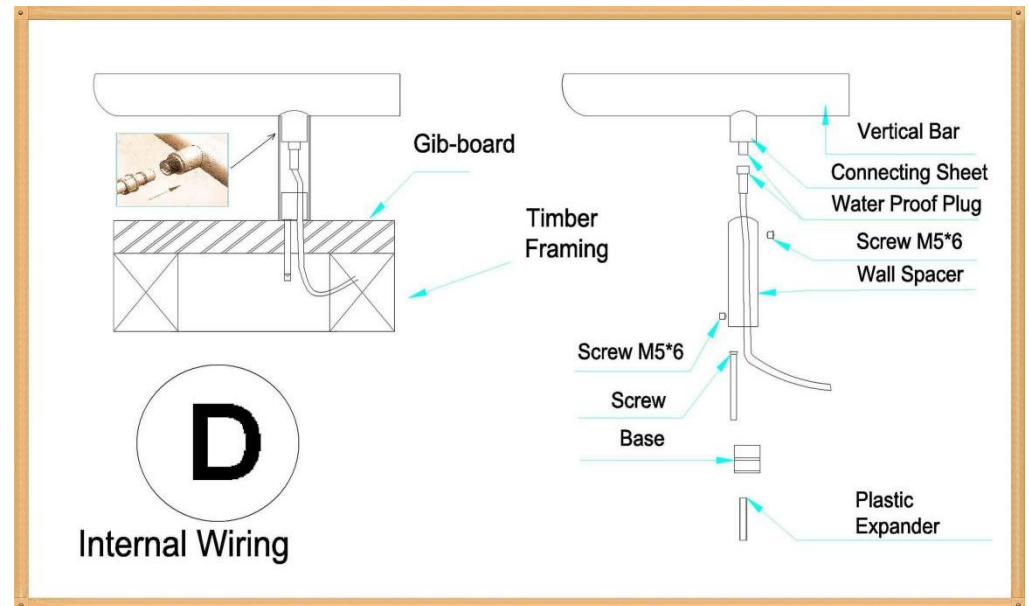
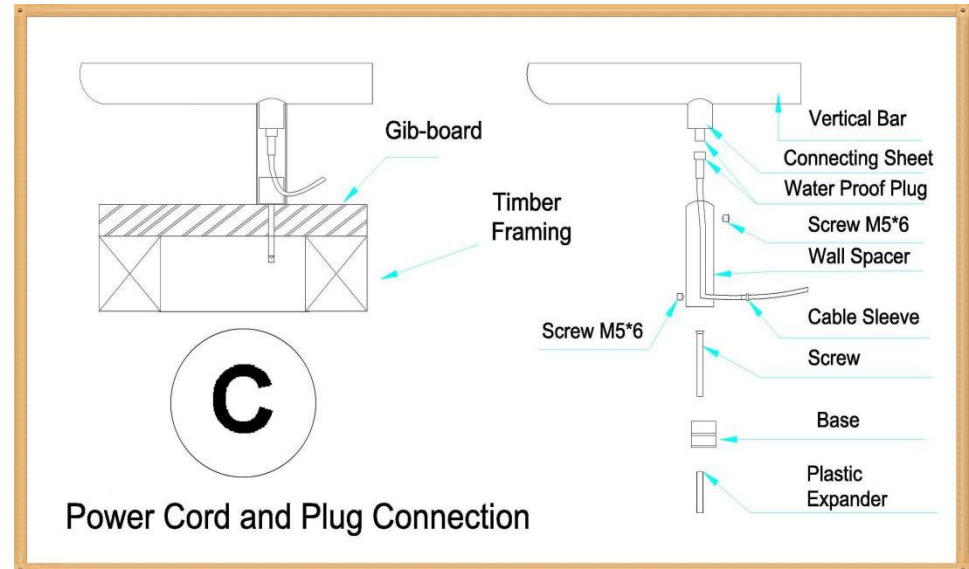
This heated towel rail, is designed for drying. The touch temperature is below the stabilized temperature of 60°C. It is suitable for household bathrooms and kitchens, as well as in hotels and restaurants.

## Installation:

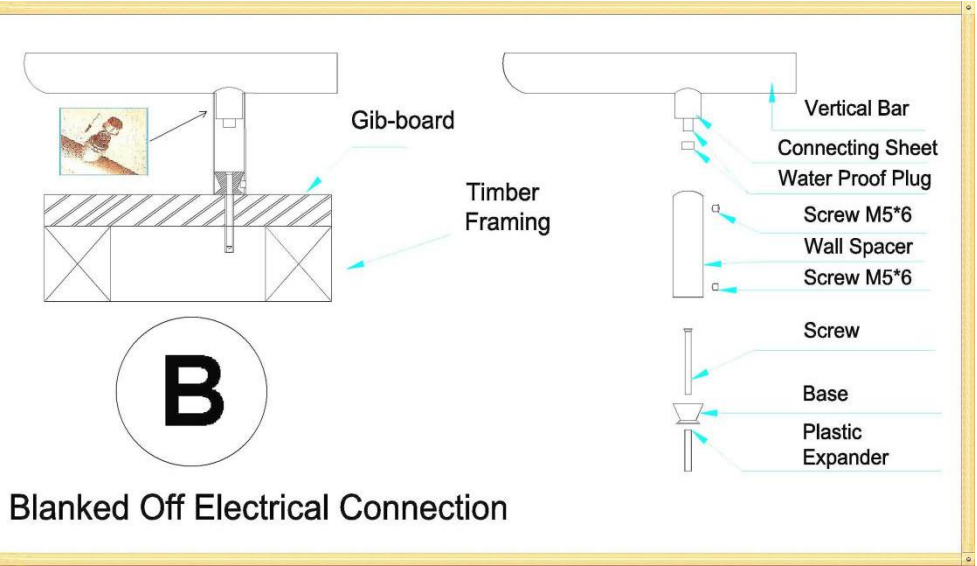
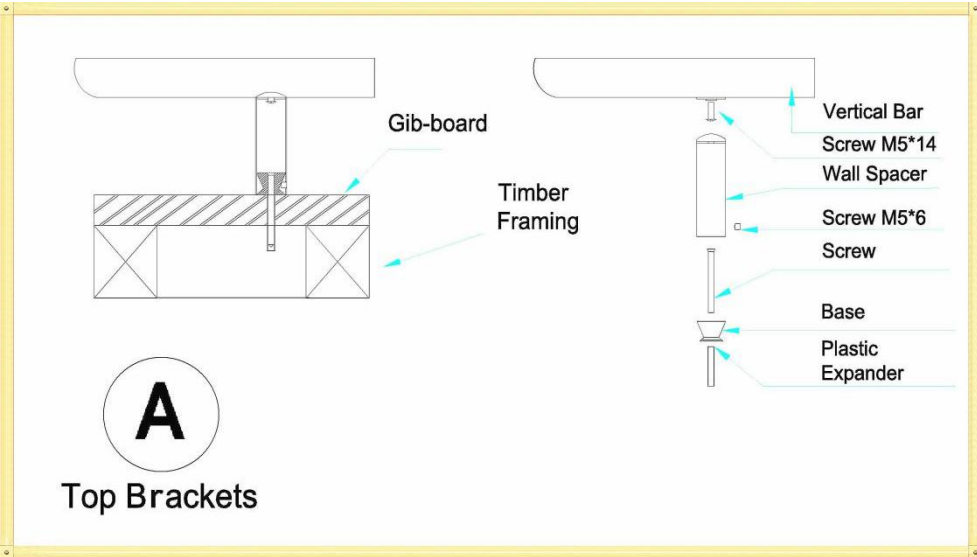
1. Select your desired installation position and ensure that the wall is sufficiently strong enough to hold the weight of the towel rail, and will not damage other wires in the wall.
2. Mark on the wall where the 4 M6\*50 expandable screws are to be fitted, in accordance to the actual size. Tighten the wall bracket units with the screws until the brackets are firmly fitted into the thread of the screws.
3. Hang the towel warmer onto the wall bracket units evenly then the installation process is completed.

## How to Use:

1. Plug the product into the fitted wall socket.
2. Switch on the wall socket so that the towel warmer can be turned



# BRACKET INSTALLATION METHODS (A-D)



**Note:**

1. In the event of any technical statistics difference, please refer to the actual product.
2. The power supply system connected to it must be provided with over-current protection device.

After the installation please wipe the towel rail with a dry cloth

## ILLUSTRATION

Thank you for buying heated towel rail .

The towel rail is unique in the flexible way you can connect to the power supply, the electrical connection can be made through either the lower left or right legs . This connection can be either directly wired through the wall or via the cord and plug supplied.

Note the heated towel rail must be installed by a professional service agent or qualified person . make sure you have read the safety information before installing. Make sure there is enough space for your Heated towel rail according to its real size and there is no direct contact With other objects.

**THERE ARE TWO METHODS OF INSTALLATION**

## 1. CONCEALED WIRING INSTALLATION



- ① indicates the two structural brackets which fix the towel rail to the wall. The towel rail must be installed with these brackets at the top. They are installed using METHOD A below.

- ② and ④ indicate the two choices for the power cord (left hand side or right hand side). whatever bracket you choose, follow METHOD D below for its installation. the remaining bracket is installed using METHOD B you must make sure the remaining socket is covered well as the picture shows to prevent moisture entering the electrical connection.

## 2. OPEN WIRING INSTALLATION



- ① indicates the two structural brackets which fix the towel rail to the wall. The towel rail must be installed with these brackets at the top. They are installed using METHOD A below.

- ② and ③ indicate the two choices for the power cord (left hand side or right hand side). whatever bracket you choose, follow METHOD C below for its installation. the remaining bracket is installed using METHOD B you must make sure the remaining socket is covered well as the picture shows to prevent moisture entering the electrical connection.