

# **Touch Pull-Out Kitchen Faucet**

## **User Manual**

Please refer to the contents of the manual prior to installation

## 1. Introduction

This system uses the electrically induced technology to activate and deactivate the flow of the water. It is convenient and efficient to operate, having strong anti-interference and low power consumption ability which will extend the product life.

## 2. Features

**Touch Function:** Touch the faucet to activate and deactivate the flow.

**Safety Protection:** The system will automatically deactivate the flow when exceeds the restricted time(180 second).

**Separate Design:** Control system and faucet body are separated of the convenience of installation and maintenance.

**Low Power Consumption:** Battery powered, 4AA alkaline batteries can be used for more than one year.

## 3. System Parameter

<b>Control time</b>	<0.5s	<b>Power supply</b>	4 AA batteries
<b>Auto Switching off time</b>	180s	<b>Standby power consumption</b>	<0.1mA
<b>Waterproof level</b>	IPX5	<b>Water temperature</b>	0 °C -75 °C
<b>Resistant intensity</b>	16bar	<b>Minium water pressure</b>	0.7bar

## 4. Installation Requirements

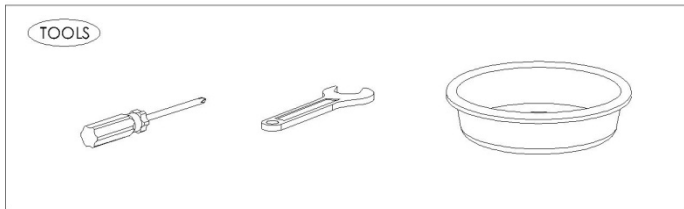
**The battery box should be lean against the wall or on the ground. Cable should not be intertwined.**

## 5. Way to Control the Operation

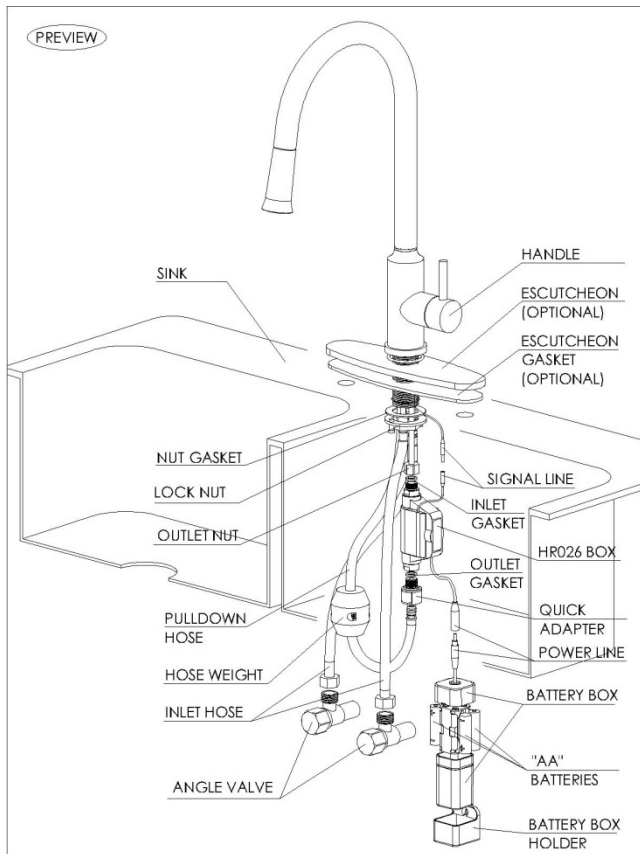
The time between touching and leaving the faucet should not exceed 300ms. Touch once to activate the flow, and touch again to deactivate the flow.

## 6. Installation Schematic Diagram

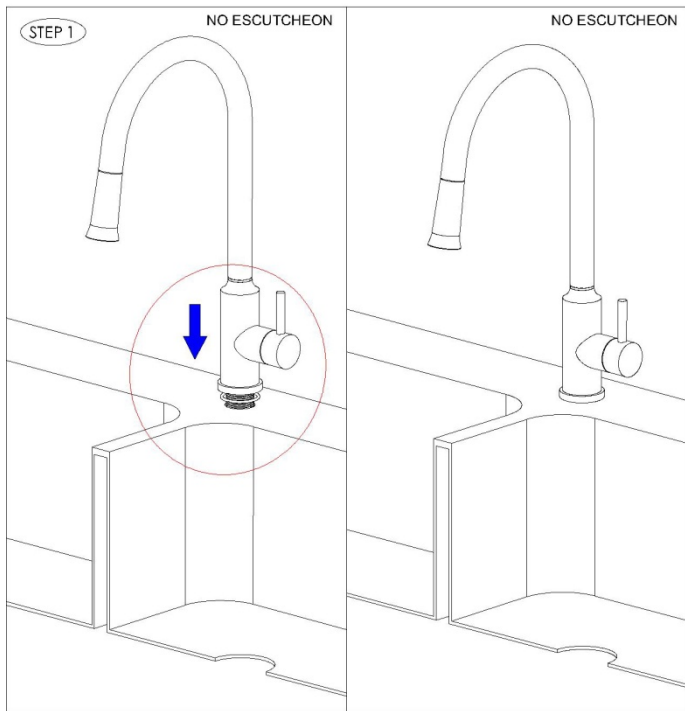
You need tools:.

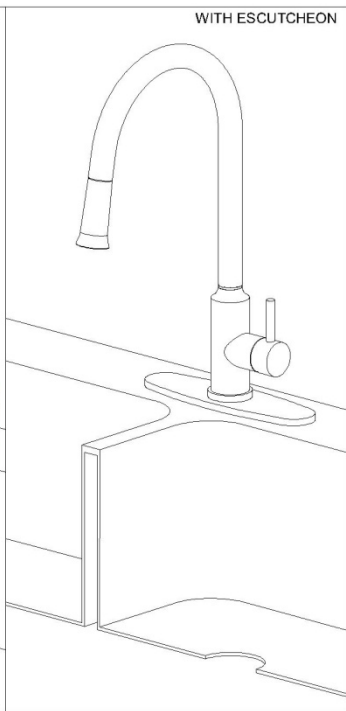
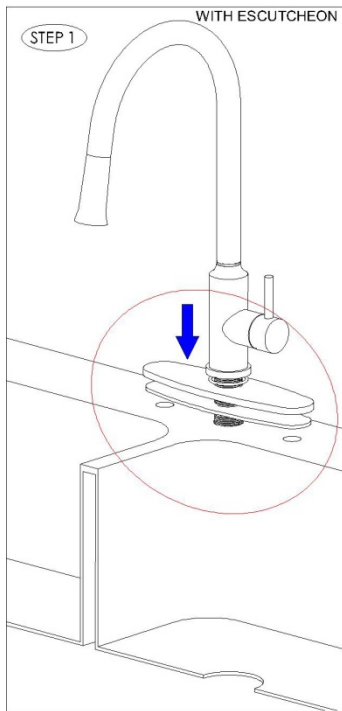


Preview:

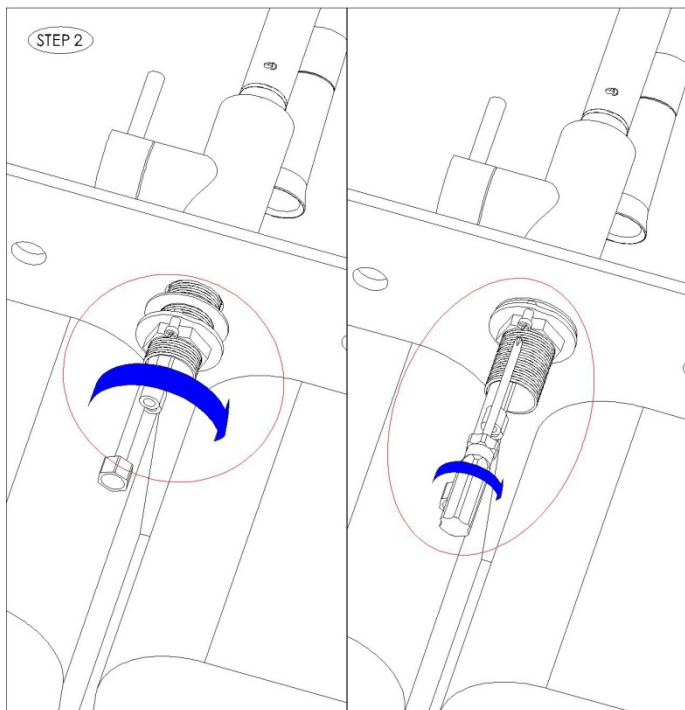


Step 1: Install and fix the faucet.

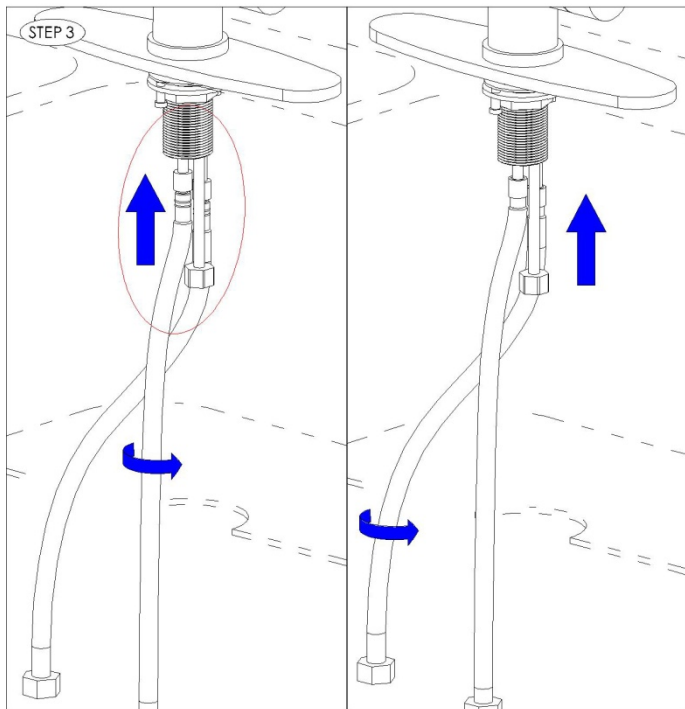




Step 2: Tighten with screwdriver until secure.

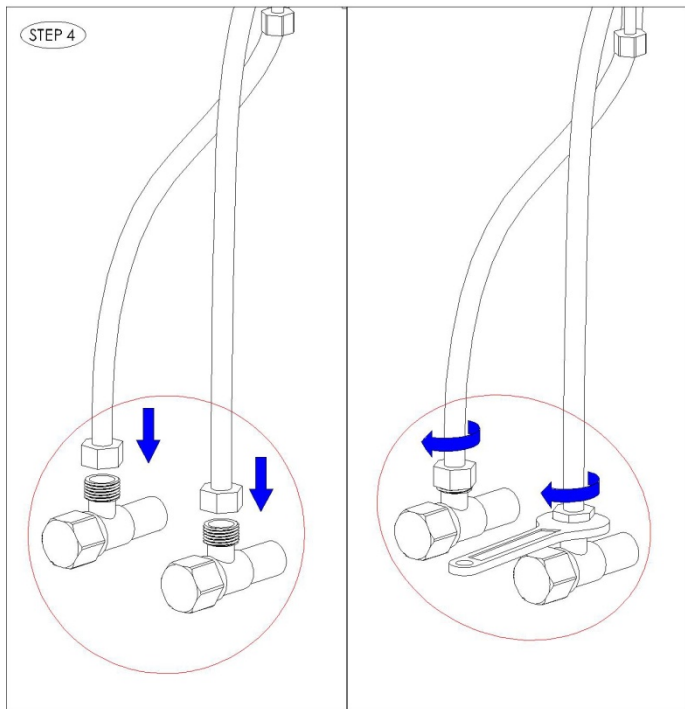


Step 3: Attach hot and cold inlet hose to faucet and angle valves.



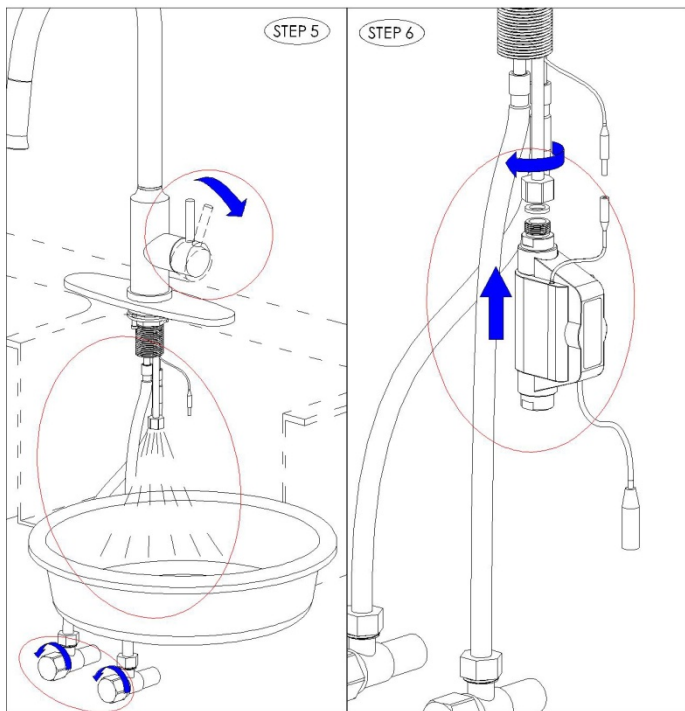


Step 4: Tighten with wrench until secure.



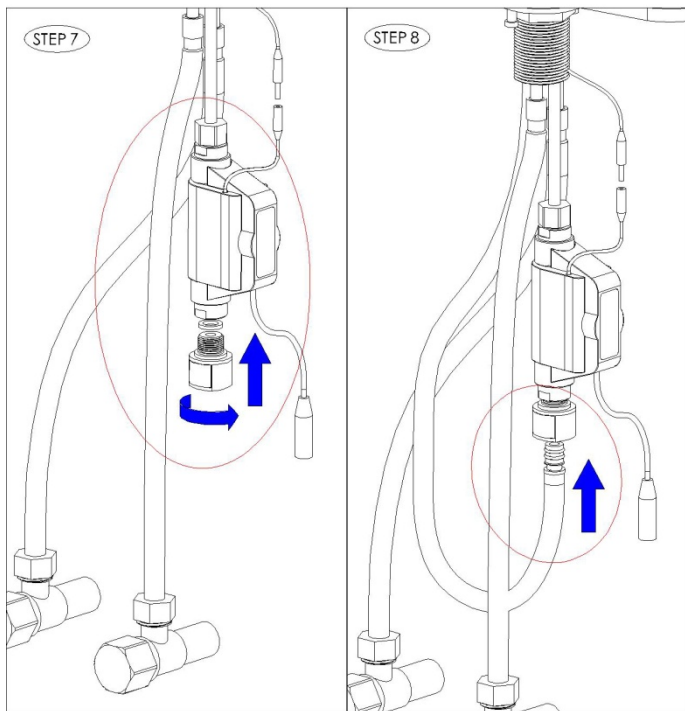
Step 5: Flush Supply Lines

Step 6: Connect the control box to the faucet,



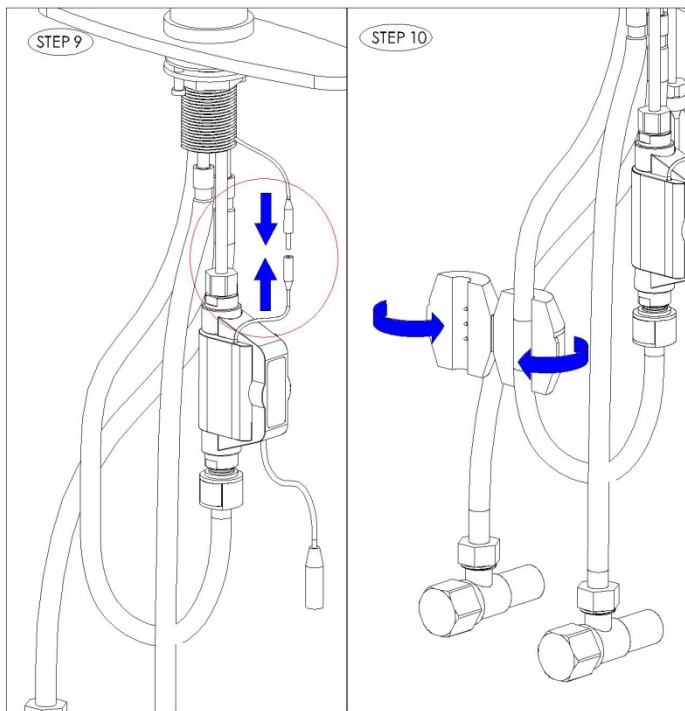
Step 7: Connect the Quick Connect Adapter to the controller.

Step 8: Insert hose into end of Quick Connect Adapter.



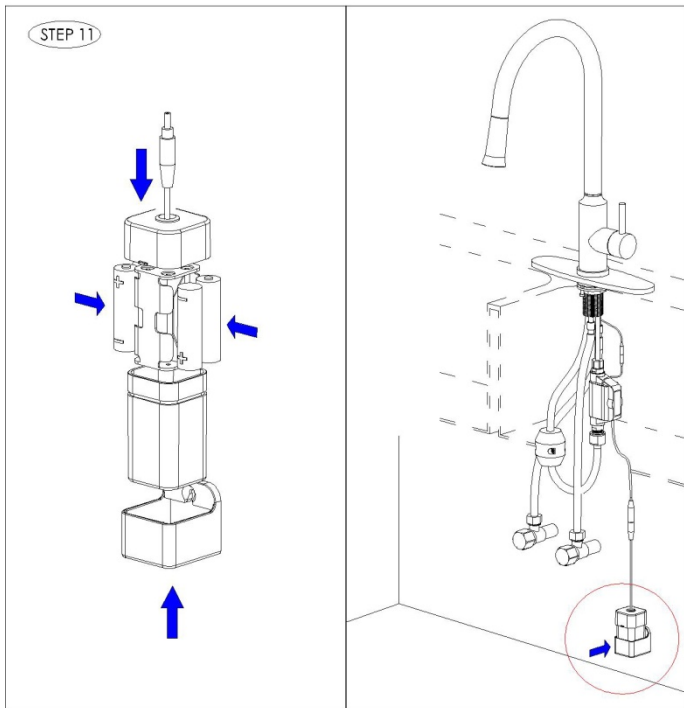
Step 9: Connect the signal line.

Step 10: Install Hose Weight.



Step 11: Place batteries in battery adapter, Fix the battery box.

**ATTENTION: The battery box should be lean against the wall or on the ground. Cable should not be intertwined.**



Step 12: Connect the power line.

Step 13: Open the angle valve and the handle ,

