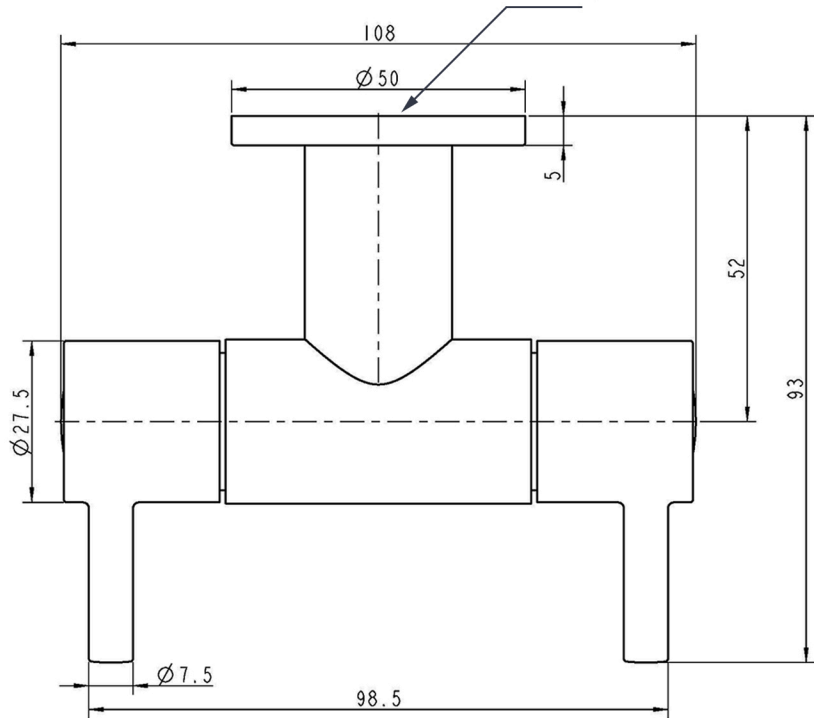


G1/2" Male End

G1/2" Male End

G1/2" Female End



108

$\varnothing 50$

5

52

93

$\varnothing 27.5$

$\varnothing 7.5$

98.5