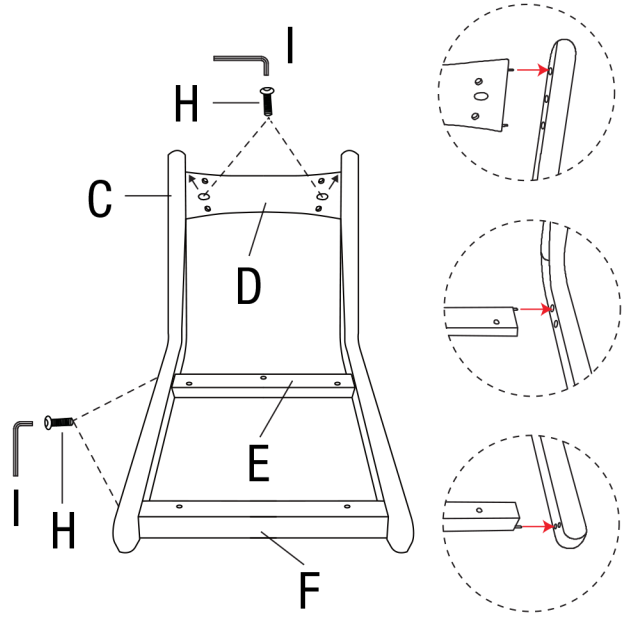


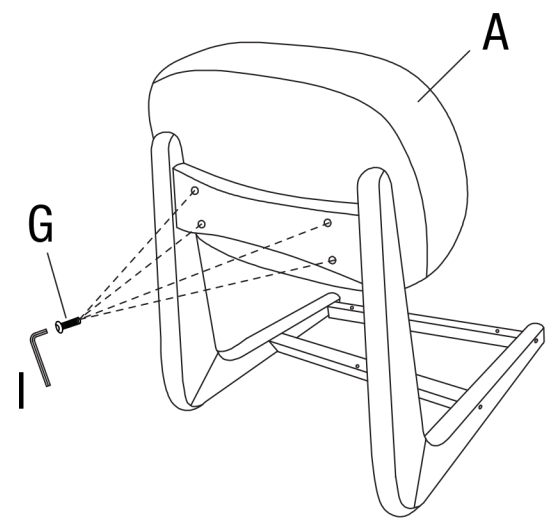
PARTS

AX1	BX1	CX2	DX1	EX1	FX1	GX4	HX9	IX1
						M6*65mm	M8*50mm	M6

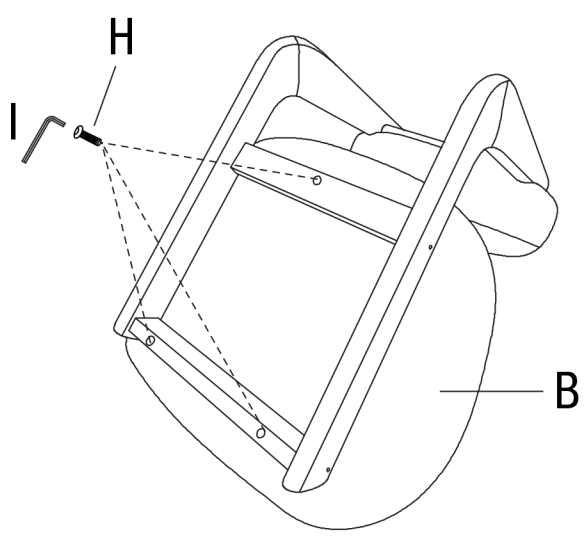
STEP 1



STEP 2



STEP 3



FINAL

