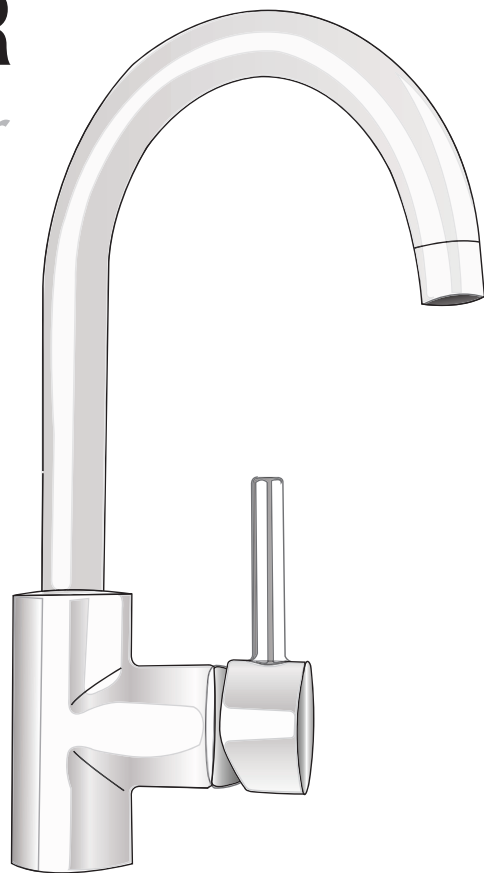


Australian Patented

Reno **TRANSFORMER**

Kitchen Mixer



Installation Instructions

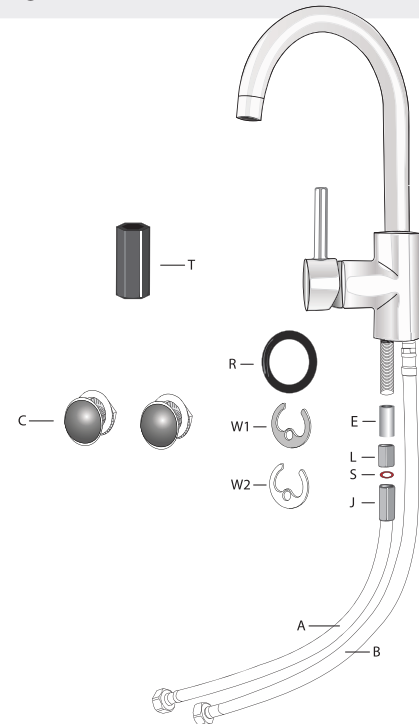
Installation Guide

IMPORTANT

- This mixer cannot be applied for replacing any wall mounted kitchen tap. If you want to transform wall mounted type kitchen mixer, try our Reno Transformer Bath Mixer (If applicable), instead.
- Defects caused by improper care of the product or failure to observe any one or more of the following installation instructions will not be covered by Quoss Warranty.
- Note that we do not assume any responsibility for errors/faults or any damages occurring from installation.

Checklist Before Installation

- * Before Installation, Check the flexible hose (B) and the tap holder bolt (H) are firmly connected to the base of the mixer body (M)
- * Before Installation, Check the small-washer (red) inside of Joint nut (J), if is not placed, it will cause leakage on the joint between flexible hose (A) and the tap holder bolt (H)
- * Before Installation, Check the rubber washer under the round hole-cover caps (C).
- * If the flexible hoses are not long enough to connect into your main supply then we suggest you to get extension part from the nearest hardware store.
- * If the existing connectors are welded into main supply or concealed inside of the wall, get advice from plumbing supply store or call plumber.
- * This mixer is not suitable to replacing any wall mounted kitchen tap. If you want to replace wall mounted type, try our Reno Transformer Bath Mixer (If applicable), instead



Installation Instructions

1. Close the main water supply
2. Remove the existing sink tap and handles as well as the pipes connected to the old sink tap and handles underneath of sink.
3. Clean the top of sink.
4. Check that one flexible hose(B) and the tap holder bolt (H) are firmly connected to the mixer body (M)
5. Put the rubber ring washer (R) to the bottom of the mixer
6. Place the Mixer where the old tap spout used to be by inserting the flexible hose (B) and tap holder bolt (H) through the kitchen sink hole
7. Set the mixer into position
8. Put the rubber washer (W1) and the metal washer (W2) into the tap holder bolt (H) from underneath of the sink, then put the metal cylinder (E) and the locking nut (L) into the tap holder bolt and tighten the locking nut (L) by the tool (T) included
9. Assemble the flexible hose (A) to the tap holder bolt (H) and tighten it.
10. Prior to it, please check a small red washer inside the joint nut (J) of the tip of the flexible hose (Important!)

* If it is not there, please find it inside box and place it into the joint nut (J) properly. If you have lost it then contact us.

Without that small washer, you will encounter the leakage problem.

11. Connect one of the flexible hoses (B) to the hot water supply the other one of the flexible hoses (A) with the connection to the tap holder bolt to the cold water supply.

In case that the flexible hoses are not long enough to connect into your main water supply, then suggest you to get extension parts from the nearest hardware store.

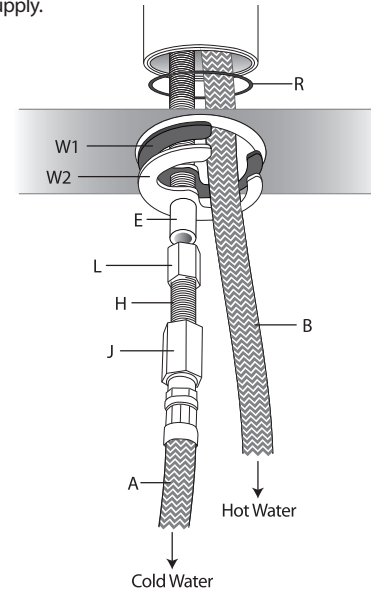
12. Cover the holes where the existing handles used to be with the round hole cover caps (C) and rubber washer included.

And tighten it from underneath of the sink.

In case of uneven surface of the sink or having some gaps between caps and the surface, recommend you to apply silicon around the caps.

13. Open the main water supply.

14. Enjoy your new mixer!



Technical Information

With Solar hot water system, you may have to shut down the hot water supply separately even you have shut down the main water supply. Also, you should aware that the Cold water pressure is much greater than the Solar Hot water pressure therefore recommend you to open only half on the cold water and open full on the Solar hot water after installation which may solve the cross water flow or low hot water pressure.

If you have any doubt about the technical issues with water flow or pressure, please ask your local plumber before buying. Every household is different and your local plumber knows your situation better than anyone.

Troubleshooting Tips

- Leakage from the flexible hoses or underneath the sink ;
Check if all connections have fitted with the right washers and tightened properly or Check if a small red washer (C) is inside the joint nut (J) (Important!)

Useful Tools

Screwdriver, adjustable spanner

Please refer Quoss Website www.quoss.com.au Handy Info & Tips for further details.

Customer Care Centre

1300 783 699

11/20-30 Stubbs St. Silverwater NSW 2128

info@quoss.com.au

Quoss
www.quoss.com.au