

# RENO TRANSFORMER



# Why transformer.

## Drip! Drip! Drip! Sounds familiar?

**Well, you don't have to put up with this water torture any longer. Finally there is a solution to the age-old problem of dripping, leaking showers.**

And the faster you repair leaks the better – not just for the sake of your sanity. Leaks can rot the structure of your home or cause health-hazardous mould and mildew to grow. Eliminating leaks will also help you cut down on energy waste and costly water bills.

The solution to leaking showers and dripping bathroom taps is a single mixer system from QUOSS, an Australian-owned company, which spent eight years designing and developing the Reno Transformer Series - a simple, affordable technology which will transform old taps into a stylish single-lever mixer.

This patented technology is maintenance-free as no spindle replacement is required – so you won't even need to tear down walls, break tiles, change or reconnect pipes.

All you need do is remove the old fixtures and replace them with Reno Transformer shower or mixer taps using a drill-free rail bar system. So it's easy to install and just as simple to dismantle, leaving no marks or traces to repair.

And because the Reno Transformer shower and taps are interchangeable you can take them with you when you move out - perfect for renters.

The Reno Transformer Series fitting technology also allows you to retrofit to almost any shape and size bathroom types and to any two-tap system in Australia. Many types of products can now be easily retrofitted, including the thermostat shower, thermostat bath, Cobra style taps and Diverter (bath/shower).

### **Quoss Products: More Than Meets the Eye**

QUOSS has been manufacturing showers and bathroom/kitchen taps for more than 25 years, and continuously invests in research and development for superior technological products.

The company has customised and designed products to meet the needs and requirements of Australian lifestyle.



# TECHNOLOGY

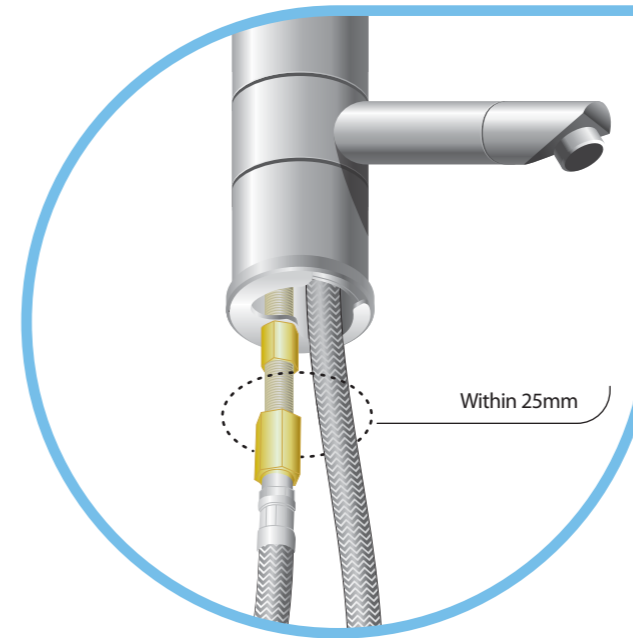
Quoss strives for 10/10 customer satisfaction with its nifty innovation.

## Transformer shower/bath

Transformer Fitting

It is size-flexible, allows for distortion and enables easy installation

The fitting system will block the water flow from the existing passage and divert it to a new exposed mixer, eliminating the need to break the wall.



## Transformer Basin & Kitchen Mixer

For the basin and kitchen taps, there is another patented "Tap holder thread connection with water passage", which makes connection parts slim enough to fit in 25mm middle hole of a 3-hole vanity or kitchen sink. No need to cut the hole bigger.

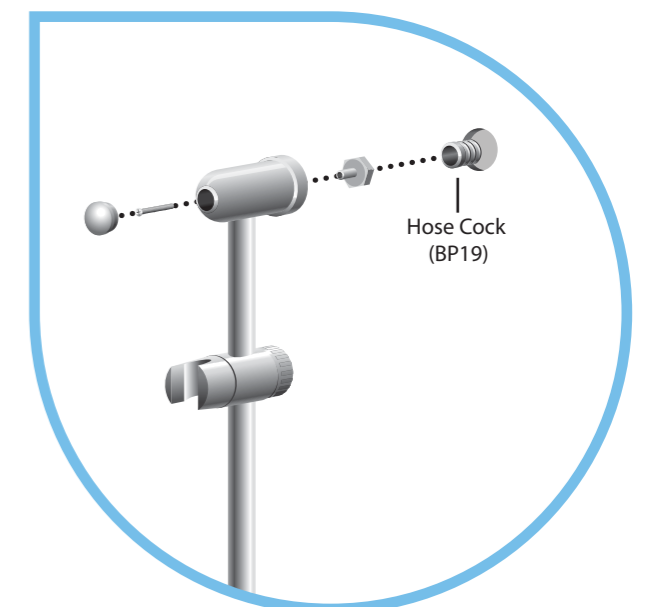
## Transformer spacer

The system's Adjustable Rim Thickness flange cover cap and 5mm additional rings will cover any size gap from the wall.



## Drill-Free Rail bar

Fit into old shower head outlet



# TRANSFORMER<sup>®</sup> SHOWER

More than meets the eye

**old shower**

Applicable of vertical taps too applicable

Fit into old shower head outlet (Drill-Free Rail bar)

to flick mixer

Fits all sizes



## sunflower rainshower

CODE SF003

## freestyle

CODE F5001

## thermo

CODE TS004

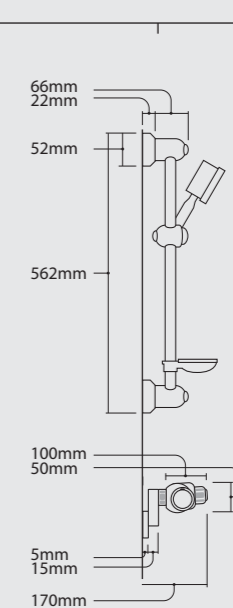
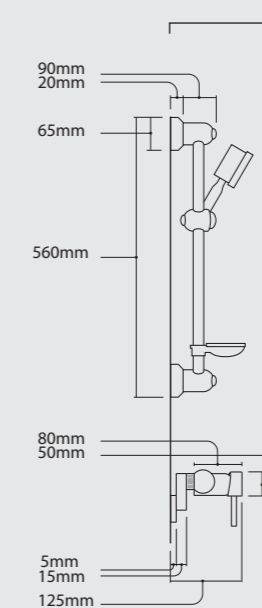
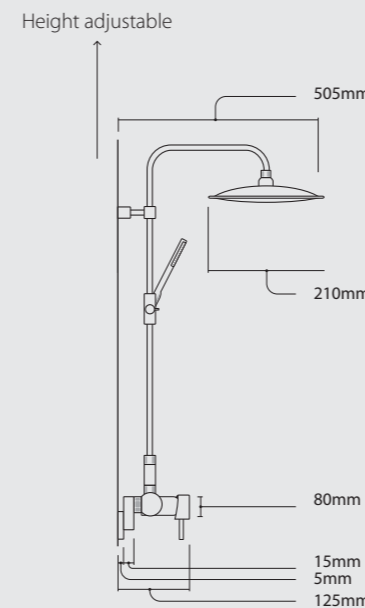
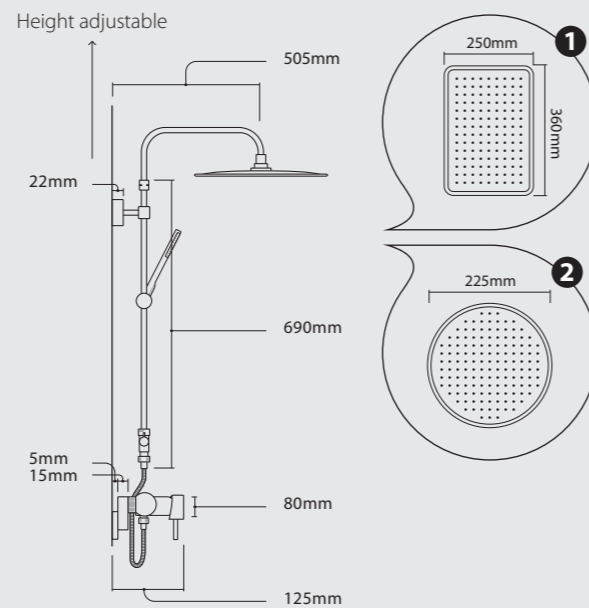
### Special Features

- Allow use of existing plumbing fixture
- Maintenance free as no spindle replacement is required
  - Best ever water saving
- Easy installation with drill-free system
  - Adjustable height
- Able to take it with you when you move out

### Special Features

- Thermostatic controller with a safety stopper
- Adjustable temperature
- Retrofit system (No extra work involved such as plumbing or retiling)

## PRODUCT SPECIFICATION



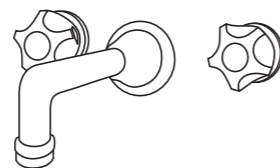
### Spray Patterns



# TRANSFORMER<sup>®</sup> BATH

More than meets the eye

## old bath



### liberty

CODE BTM004

#### Special Features

- Simple flick mixer for replacement of 2 handle bath tap
- No extra work involved such as plumbing or breaking wall
- Fixed spout



### thermo bath mixer

CODE TB003

#### Special Features

- Adjustable temperature
- Thermostatic controller with a safety stopper
- Cover cap for old tap spout hole



### freedom

kitchen / bath / laundry

CODE BTSS007

#### Special Features

- Swivel spout with pull-out spray
- Water spray type selector
- Best for washing baby or pet in the bath tub



### cobra

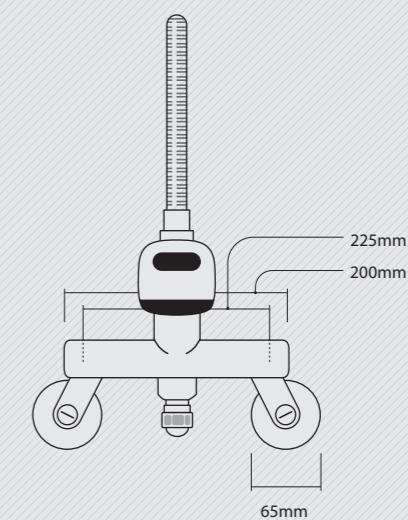
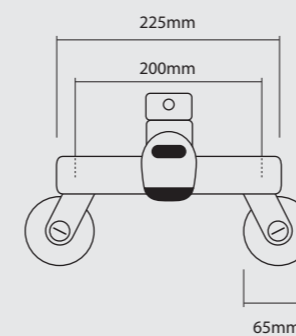
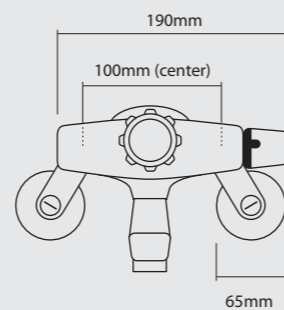
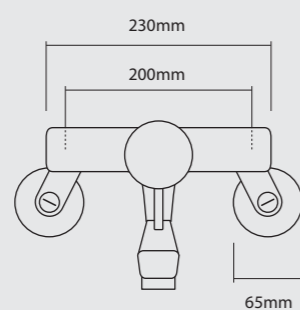
wall mounted kitchen / laundry

CODE CW001

#### Special Features

- Full flexible spout
- Water spray type selector
- Best for wall mounted kitchen tap or laundry tap

## PRODUCT SPECIFICATION



#### Spray Patterns



# TRANSFORMER® BASIN

More than meets the eye



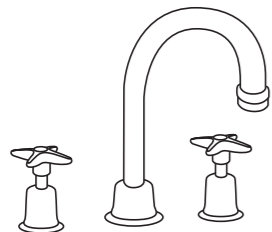
## basin mixer

CODE BSM006

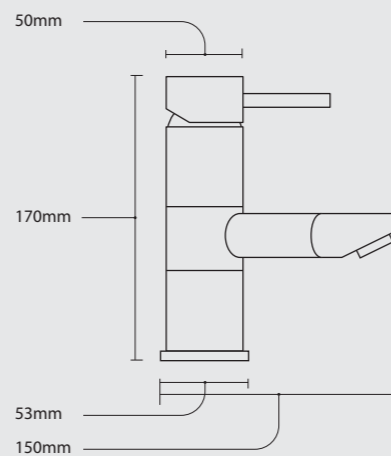
### Special Features

- Fit in a middle hole of 3-hole basin vanity (25mm)
- 360° Rotator and swivel spout
- Hole caps included

## old basin



## PRODUCT SPECIFICATION



# TRANSFORMER® KITCHEN

More than meets the eye

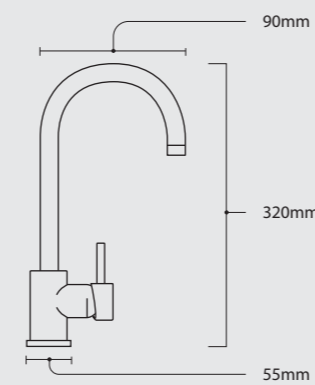


## gooseneck

CODE KM005

### Special Features

- 360° swing spout
- Maintenance free as no spindle replacement is required
- Fit in a middle hole of 3-hole kitchen sink (25mm) (No need to cut a middle hole of sink bigger)
- Hole caps included

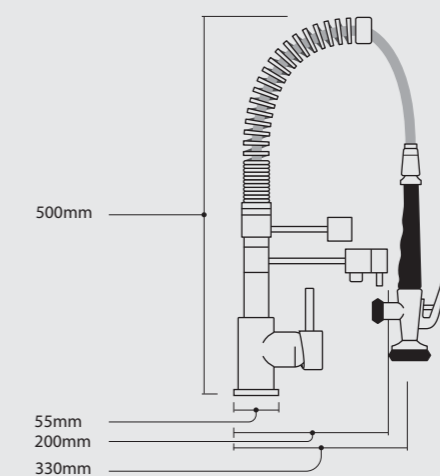


## splash

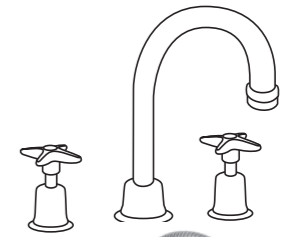
CODE SP001

### Special Features

- 2 spouts: swivel tap spout and jet spray spout
- 360° all around free-swivel spray with open lever
- 2 sizes: Commercial (large) & Domestic (small)



## old kitchen

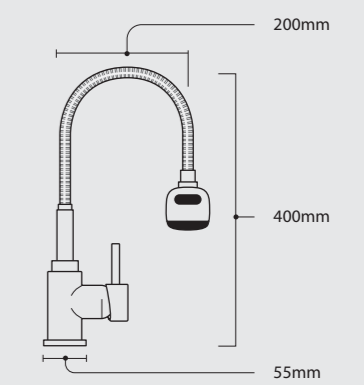


## giraffe

CODE CW002

### Special Features

- 360° all around flexible spout
- Fit in a middle hole of 3-hole kitchen sink (25mm) (No need to cut a middle hole of sink bigger)
- Hole caps included



# TRANSFORMER® DIVERTER BATH/SHOWER

More than meets the eye

## diverter

CODE DBS001

### Special Features

- Bath/shower
- Drill free rail bar with drilling option
- Cover cap for old tap spout hole
- Diverter Mixer only available [DBSM02]

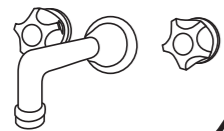
## thermo diverter

CODE TDBS001

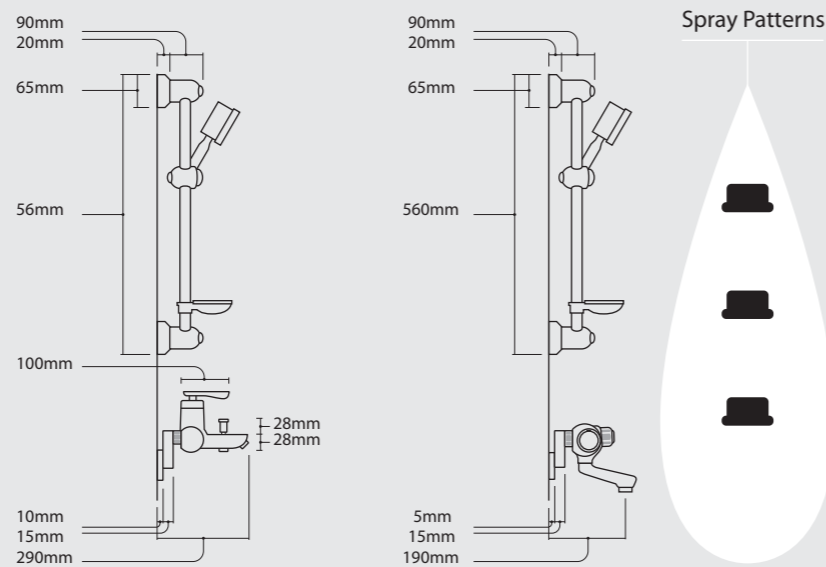
### Special Features

- Bath/shower
- Thermostatic controller with a safety stopper
- Drill free rail bar with drilling option
- Cover cap for old tap spout hole

old bath



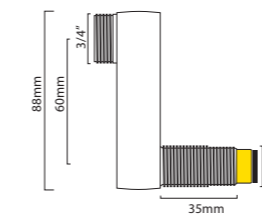
## PRODUCT SPECIFICATION



# PATENTED® TRANSFORMER FITTINGS

More than meets the eye

CODE QF35\*

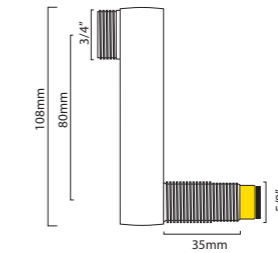


### Standard In-wall Breech Tee Fitting

**For Recess Tee**  
(Normal Depth)

- Use when in-wall piping system (Breech) exists and a spout or a shower head comes out from the wall

CODE QF35L\*

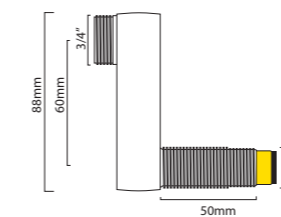


### Longer Fitting

**For Recess Tee**  
(Normal Depth but long distance between 2 handles)

- Use when in-wall piping system (Breech) exists and a spout or a shower head comes out from the wall

CODE QF50\*

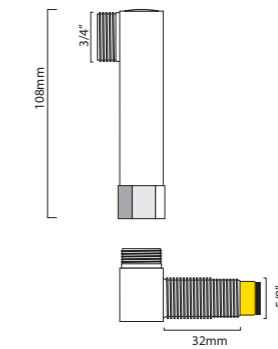


### Deeper Fitting

**For Recess Tee**  
(Deep)

- Use when in-wall piping system (Breech) exists and a spout or a shower head comes out from the wall

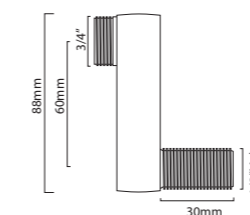
CODE NZF55\*



### New Zealand Fitting

For NZ old building installed with English type wall recess piping system

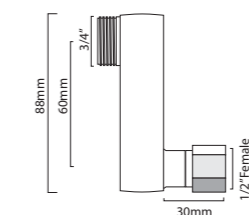
CODE 12FM\*



### 1/2" Fitting Male

- Use for Pillar/Bib tap
- Use when no spout or no shower head out from the wall and 1/2" Female threads comes out from the wall

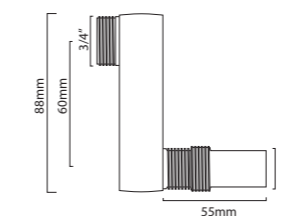
CODE 12FF\*



### 1/2" Fitting Female

- Use for Pillar/Bib tap
- Use when no spout or no shower head out from the wall and 1/2" Male threads comes out from the wall

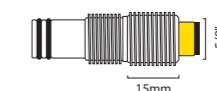
CODE NZF55\*



### New Zealand Fitting

For NZ old building installed with English type wall recess piping system

### Standard In-wall Breech Tee Fitting



**For Recess Tee**  
(Normal Depth)

- Use when in-wall piping system (Breech) exists and a spout or a shower head comes out from the wall

\* All the fittings are patented and protected by law. ( Commonwealth Patents Act 1990 )

# Aroma Sense

## Functional and Environment-Friendly Brand, Aroma Sense

Combining vitamin C, aroma and negative ions that are highly effective in improving your skin, Aroma Sense enables you to have the same effect of forest bathing in your bathroom.

Change your bath culture with a Aroma Sense!



### 5 New Discoveries about Aroma Sense in Life.

- 1. Water purifying system that eliminates residual chlorine**  
99.95% of various germs and residual chlorine in tap water are eliminated.
- 2. Therapeutic effects with aroma**  
Aroma Sense removes unpleasant odor, relieves your stress and helps you to improve your focus.

- 3. Vitamin C equivalent to 3000 lemons**  
Supply vitamin C equivalent to 3000 lemons. It biologically condenses the natural scents extracted from leaves and stems and vitamin C

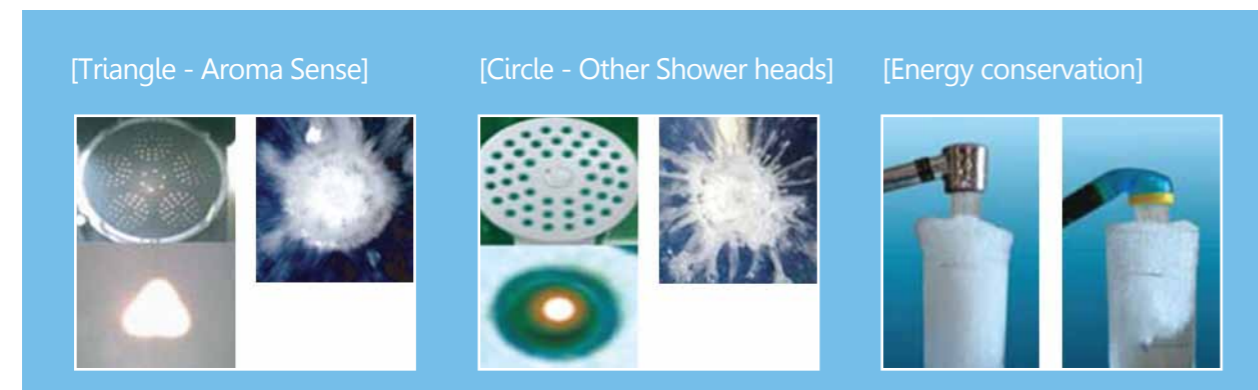
extracted from lemons and stores them in a capsule in this advanced process. It is the one and only unique technology owned by our company. According to the test results (Chemical Test Center) on the shower water, it is revealed that 1CC/1.2mg of vitamin C is contained in it. It can create collagens that can prevent damages to your skins. We can recommend you to this product that can help maintaining your skins transparent, healthy and flexible. Excellent in beauty, moisturizing, preventing or curing of atopic dermatitis, itch, eczema, asthma, etc.

- 4. The formation of 421,000 negative ions/cc, about 100 times more than around a waterfall. (Test result by Korea Far Infrared Association)**

Most of people have a fixed idea that the shape of the hole on shower plate is circle. But our company has been known that the shape of a polygon on shower plate raises water pressure and generates more negative ions than circle. So, we make the shape of the hole on shower plate a triangle. (Patent No. 0562076)

- 5. Energy conservation with eco-friendly water-saving function.**

Aroma Sense raises water pressure about 1.5 times more than other company's shower heads. Aroma Sense (40km/h) vs Other shower heads (25km/h)



## Patents

- Australia (2006267249)
- USA (US6-233-758B1)
- Japan (3487547)
- China (99-11979608)
- Russia (2390303)
- Korea (10-0562076, 10-0709731, 10-0849855, 10-0013473)
- PCT (PCT/K2006/002658)

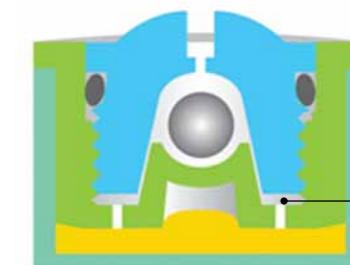


## Residual chloride removal water purification system

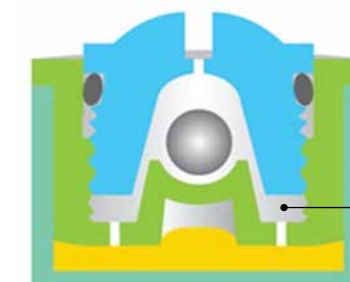
The existing chloride removal filter uses activated carbon, arusan calcium, ACF and so on. As the water temperature rises, the performance is degraded and in case of vitamin C powder, it offers great instantaneous chloride removal ability but the dissolution speed is sensitive to the temperature of the fluid speed. So, it can't guarantee a regular period of lifecycle. The aroma gel filter condenses vitamin C and aroma to form a gel and stores it in a capsule. As the water passes by the filter, but does not penetrate, a fine amount of vitamin and aroma gel is ejected to clean off residual chloride contained in the water. This is new technology based on instantaneous recovery method. The test condition of the series of tests performed by Korea Testing & Research Institute for Chemical Industry.



## The principle of controlling filter



[1-cycle turned internal space]



[2-cycle turned internal space]

Contents transferrina space

## Controlling Filter structure

