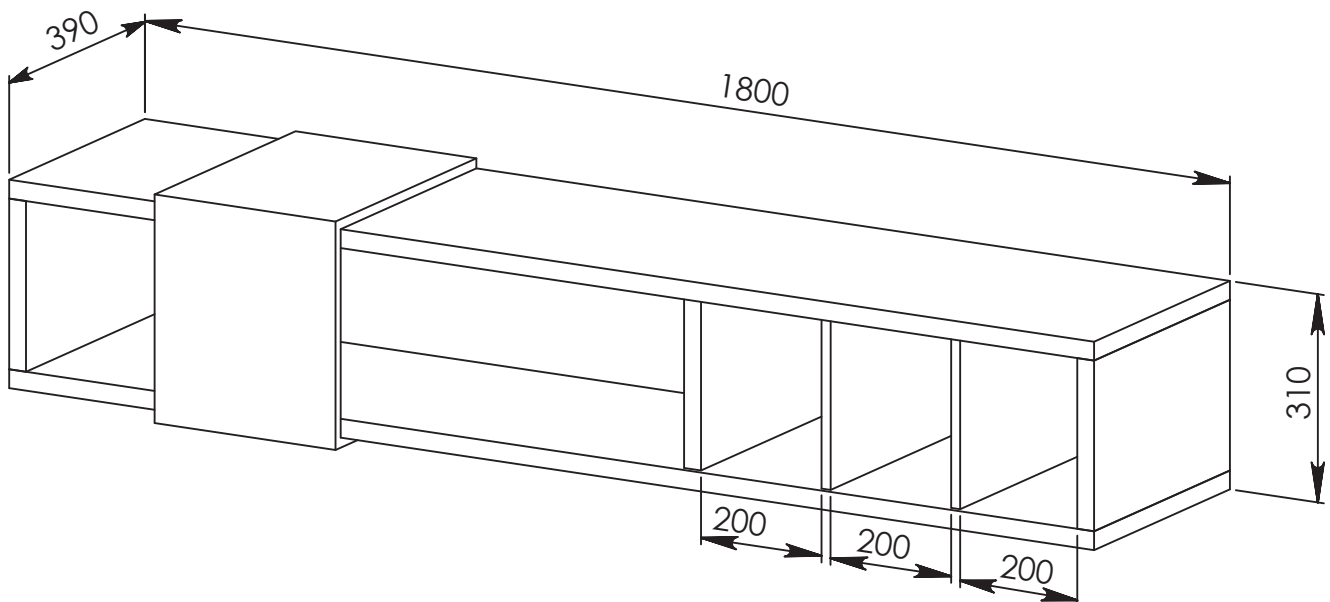




# Assembly Instruction Manual

MODEL NO.: DRONUS1800

**TAURIS**  
www.rvm.com.au



- 
- Please follow these assembly instructions as it will save you time, make assembly easier and prevent possible damage to your new unit.
  - We strongly recommend that the unit is assembled on a soft surface such as carpet or blanket.
  - We suggest the use of hand tools only to tighten all screws and fittings, as power tools can strip threads if over tightened.
  - Correct assembly is your responsibility.
  - **When moving this furniture item, always carry the unit. Dragging or sliding the unit could damage the unit and the floor surface.**

This wall mounted cabinet is for the storage of components only and is NOT intended to have a TV placed/stored on it





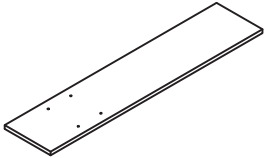
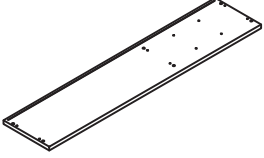
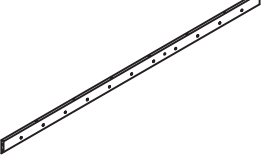
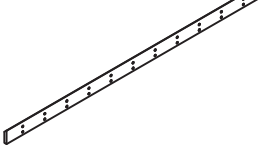
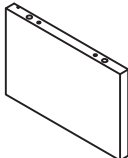
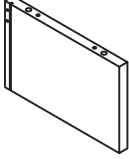
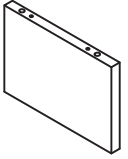
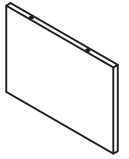
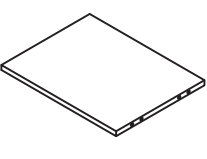
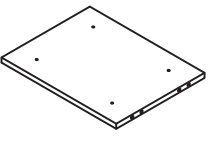
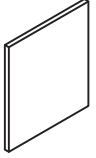
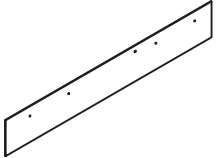















## CHILDREN HAVE DIED FROM FURNITURE TIPOVER.

- NEVER allow children to stand, climb or hang on drawers, doors or shelves.
- ALWAYS secure your television with an anchor device or mount the television on a wall (anchor device not included).

For a complete range of bracket options please visit:  
[www.tauris.com.au/collections/brackets](http://www.tauris.com.au/collections/brackets)



# Part List:

|                                                                                                      |                                                                                                         |                                                                                                         |                                                                                                           |                                                                                                          |
|------------------------------------------------------------------------------------------------------|---------------------------------------------------------------------------------------------------------|---------------------------------------------------------------------------------------------------------|-----------------------------------------------------------------------------------------------------------|----------------------------------------------------------------------------------------------------------|
| ① x1pc<br>           | ② x1pc<br>             | ③ x1pc<br>             | ④ x1pc<br>              | ⑤ x1pc<br>            |
| ⑥ x1pc<br>           | ⑦ x1pc<br>             | ⑧ x2pcs<br>            | ⑨ x1pc<br>             | ⑩ x1pc<br>            |
| ⑪ x1pc<br>         | ⑫ x1pc<br>            | ⑬ x14pcs<br><br>ø15x12 | ⑭ x14pcs<br><br>ø7x35  | ⑮ x24pcs<br><br>ø8x30 |
| ⑯ x6pcs<br>        | ⑰ x6pcs<br><br>M8x20 | ⑱ x6pcs<br>          | ⑲ x1pc<br><br>5mm    | ⑳ x1pc<br><br>ø7x48 |
| ㉑ x8pcs<br>        | ㉒ x8pcs<br><br>ø5x60 | ㉓ x4pcs<br><br>M6x35 | ㉔ x4pcs<br><br>ø4x30 | ㉕ x4pcs<br>         |
| ㉖ x1pc<br><br>4mm | ㉗ x4pcs<br><br>ø4x16 |                                                                                                         |                                                                                                           |                                                                                                          |

*As all installation environments are different, you may not have all the necessary installation hardware provided in the hardware pack supplied with this unit. If you require further fixings please visit your local hardware store and purchase other required fixings. The fixings provided in this pack are for a basic install only.*

Additional Tools Required (Not included):



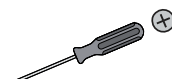
Power drill



Drill bit  
6mm



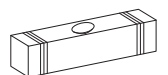
Drill bit  
3mm



Philips  
Screw driver

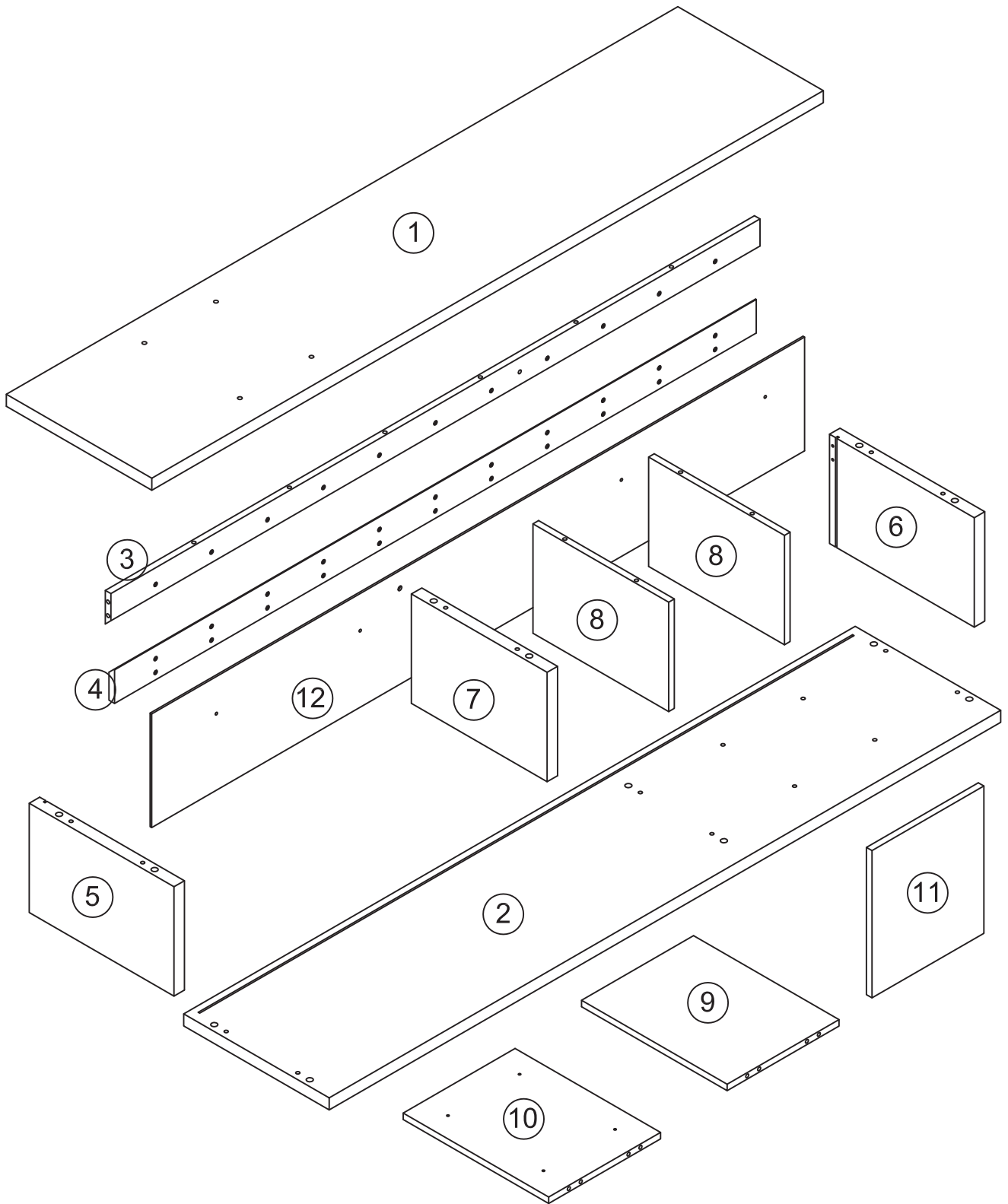


Stud finder



Leveler

# OVERVIEW



# STEP 1

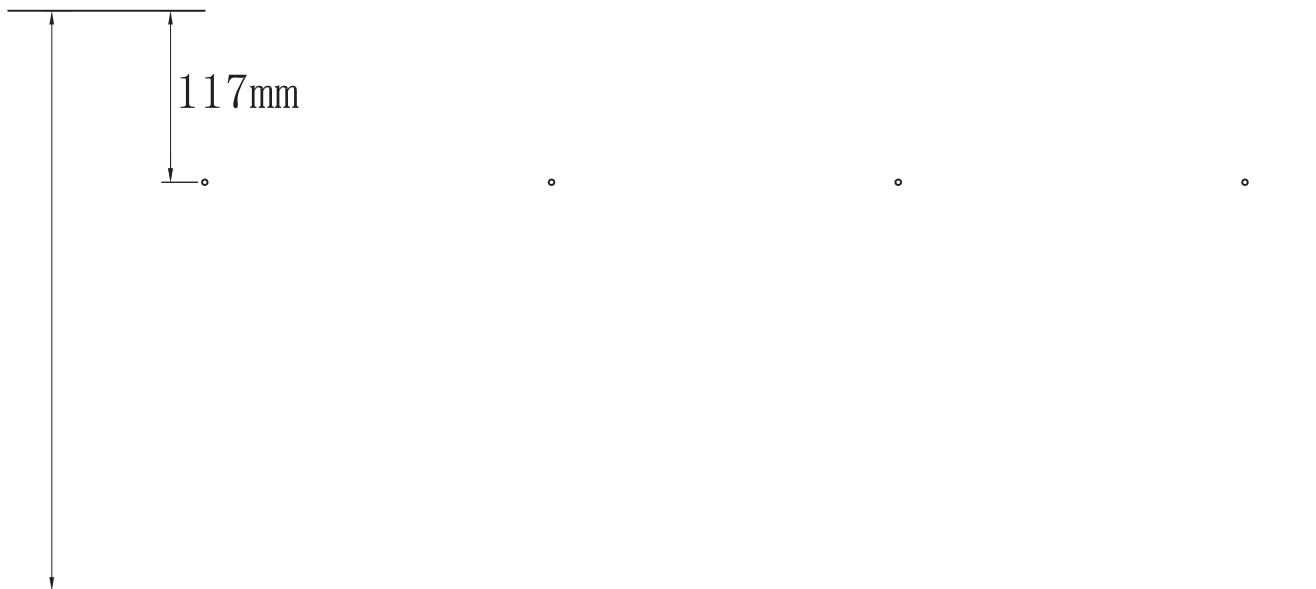
The following Instructions are provided as a guide for installing this Wall Cabinet

## **WE RECOMMEND THAT A PROFESSIONAL INSTALLS THIS PRODUCT** **POSITIONING AND MOUNTING YOUR WALL CABINET**

Decide on the height you would like the top of your new Wall Mount Cabinet to be. Measure 117mm down your wall to mark your first hole location. Place the coinciding hole of the wall bracket over this hole. While holding the Bracket on this hole ensure that it is level, with a spirit level and mark the remaining holes with a pencil or your drill. Remove wall mount and drill holes into your wall with an appropriate drill bit. If there is any major wall imperfections/unevenness please consider fixing these first, to allow cabinet to sit flat against the wall.

Please remember that this is a wall mount cabinet for components only and it is not intended for a TV to be placed on this unit.

Please ensure that your TV is secured/mounted to the wall with a suitable wall mount prior to the installation of this cabinet underneath.



# STEP 2 A

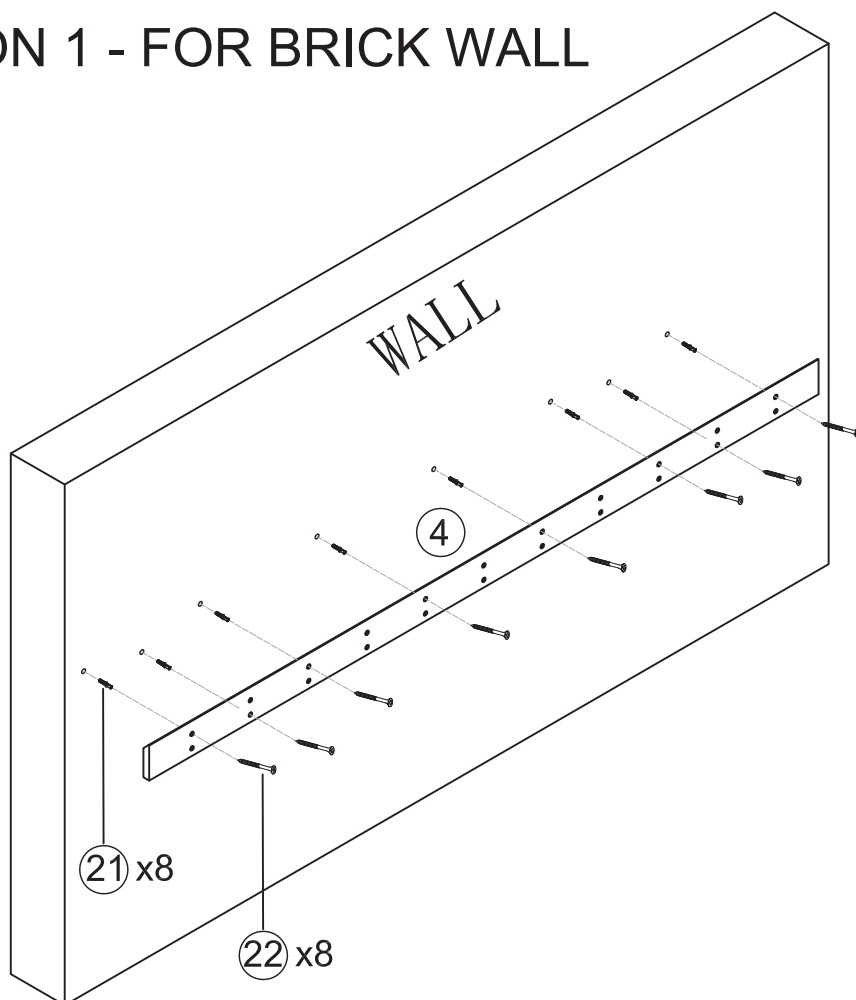
## OPTION 1 - FOR BRICK WALL

 21 x8pcs

 22 x8pcs

BRICK WALL NOTE:  
Please fix screws into Bricks not Mortar

Maximum weight capacity  
of this unit is 20 KGS

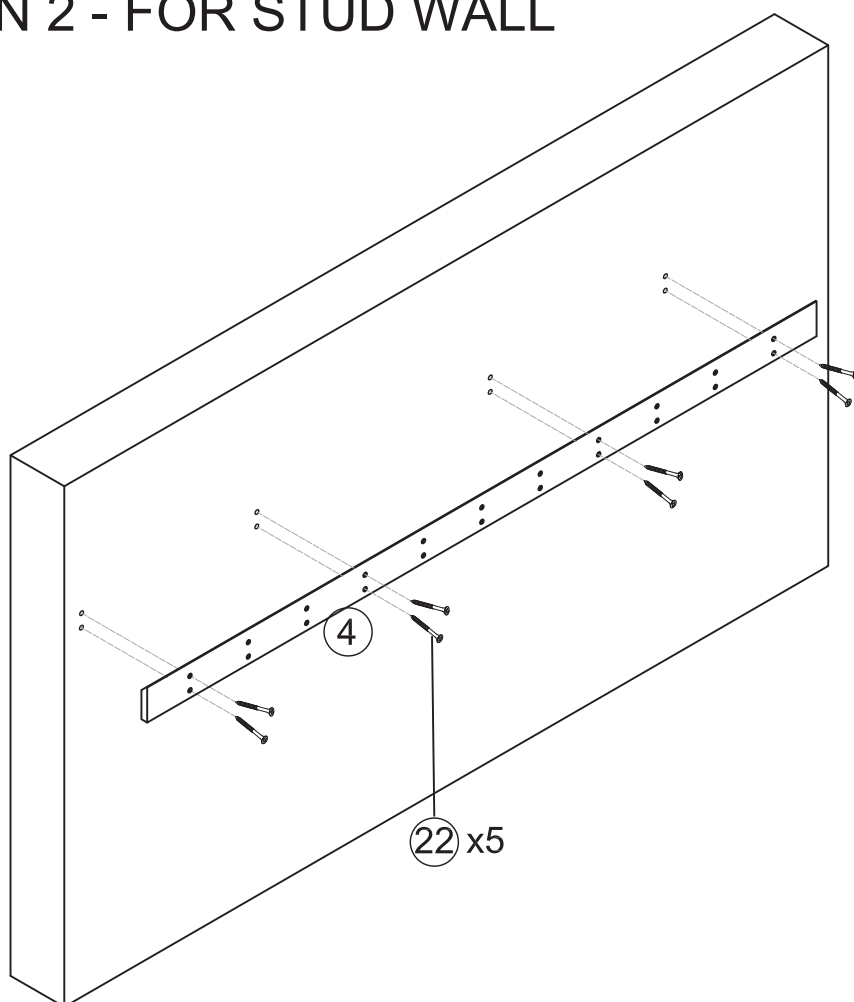


# STEP 2 B

## OPTION 2 - FOR STUD WALL

 22 x8pcs

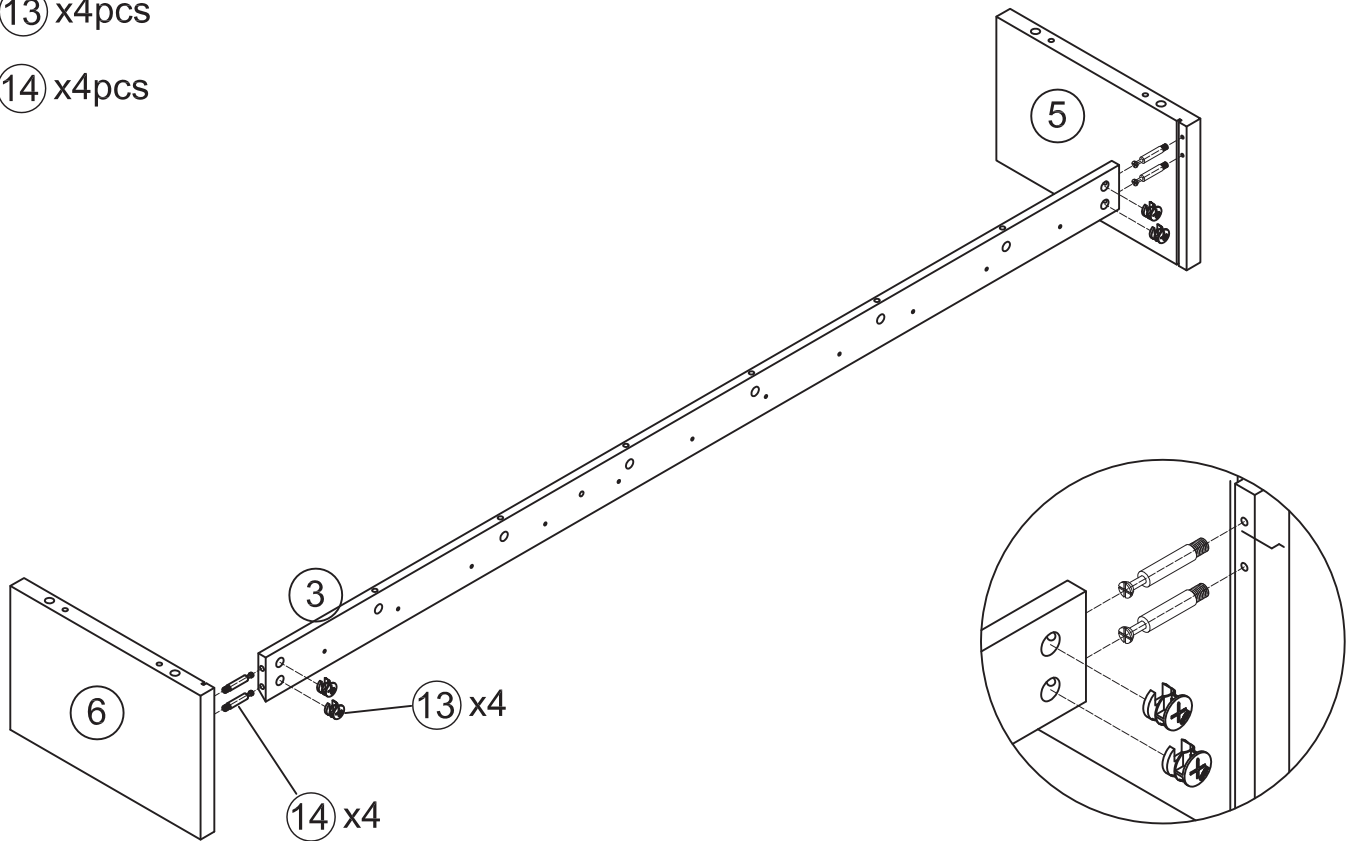
STUD WALL SAFETY NOTE:  
The mounting board has fixing holes  
in place for a standard stud wall. Please  
use a stud finder to ensure that you  
are fixing into the studs.



# STEP 3

 13 x4pcs

 14 x4pcs

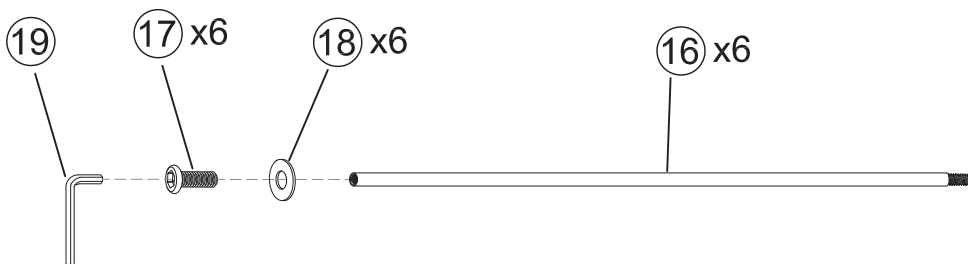


# STEP 4

 16 x6pcs

 17 x6pcs

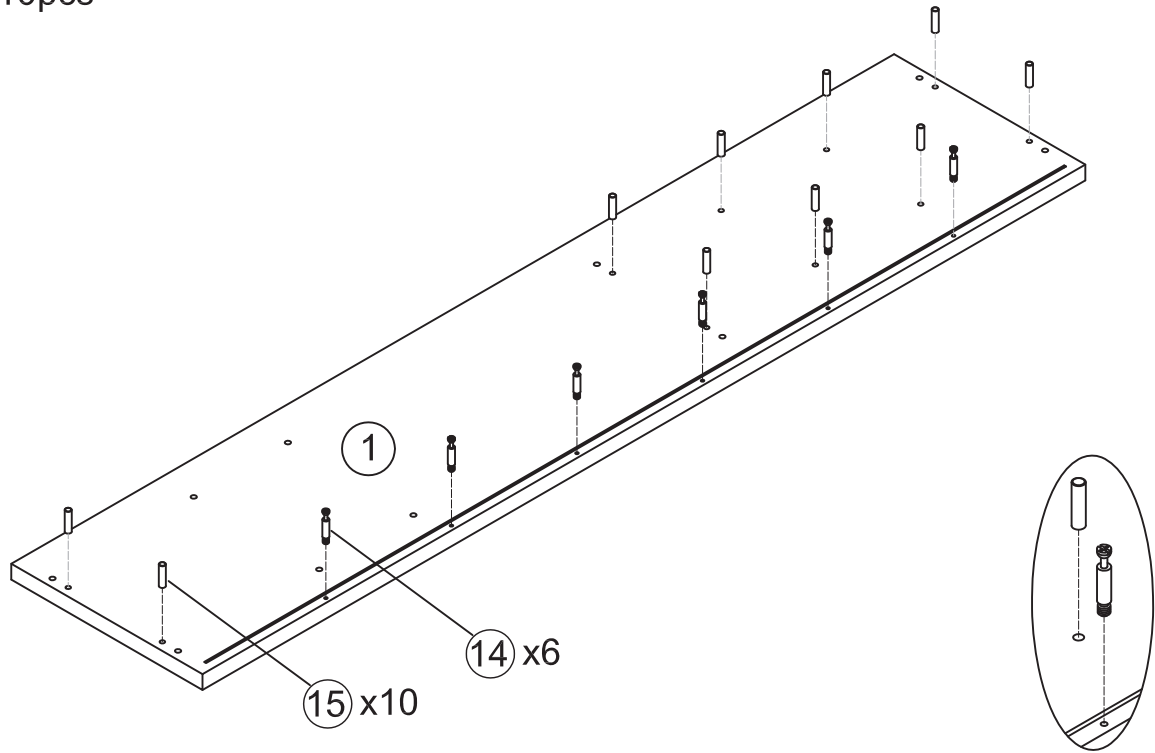
 18 x6pcs



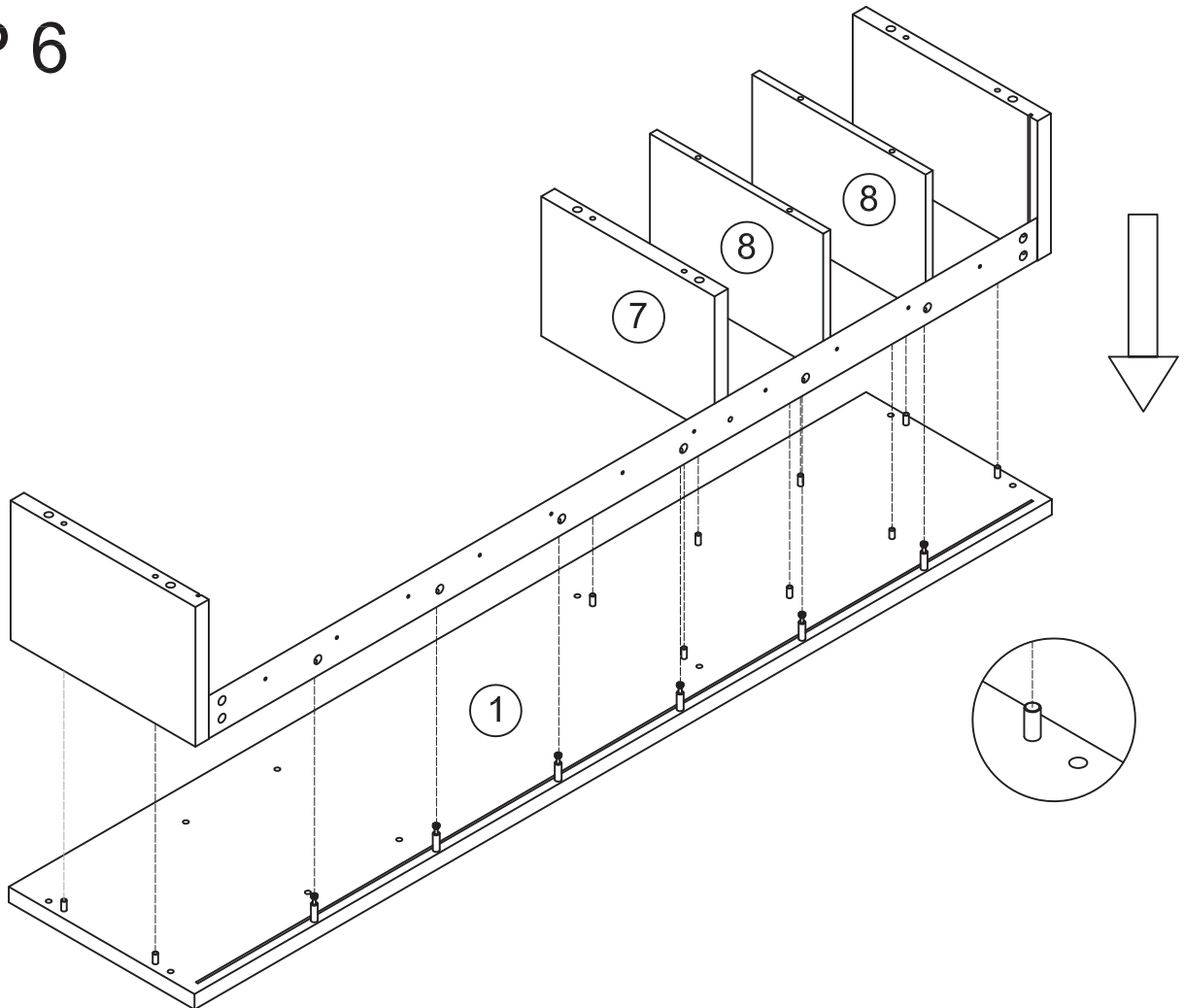
# STEP 5

 14 x6 pcs

 15 x10 pcs

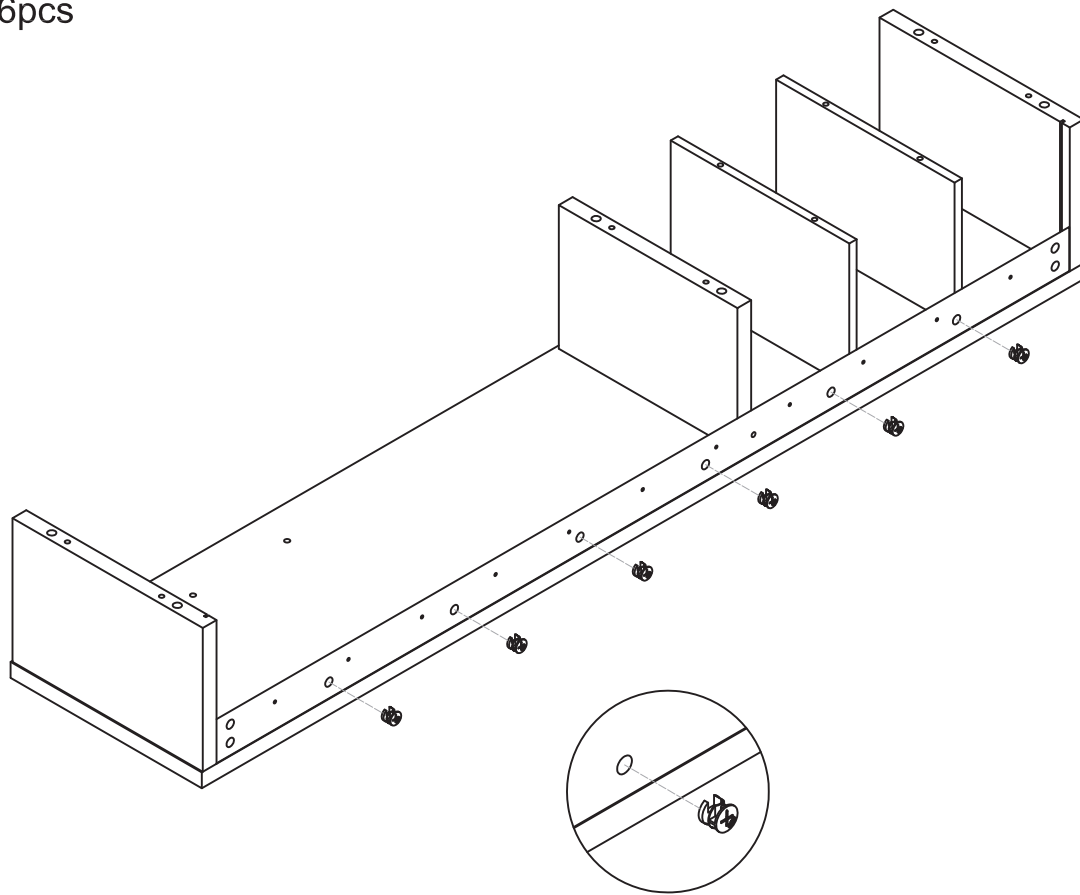


# STEP 6

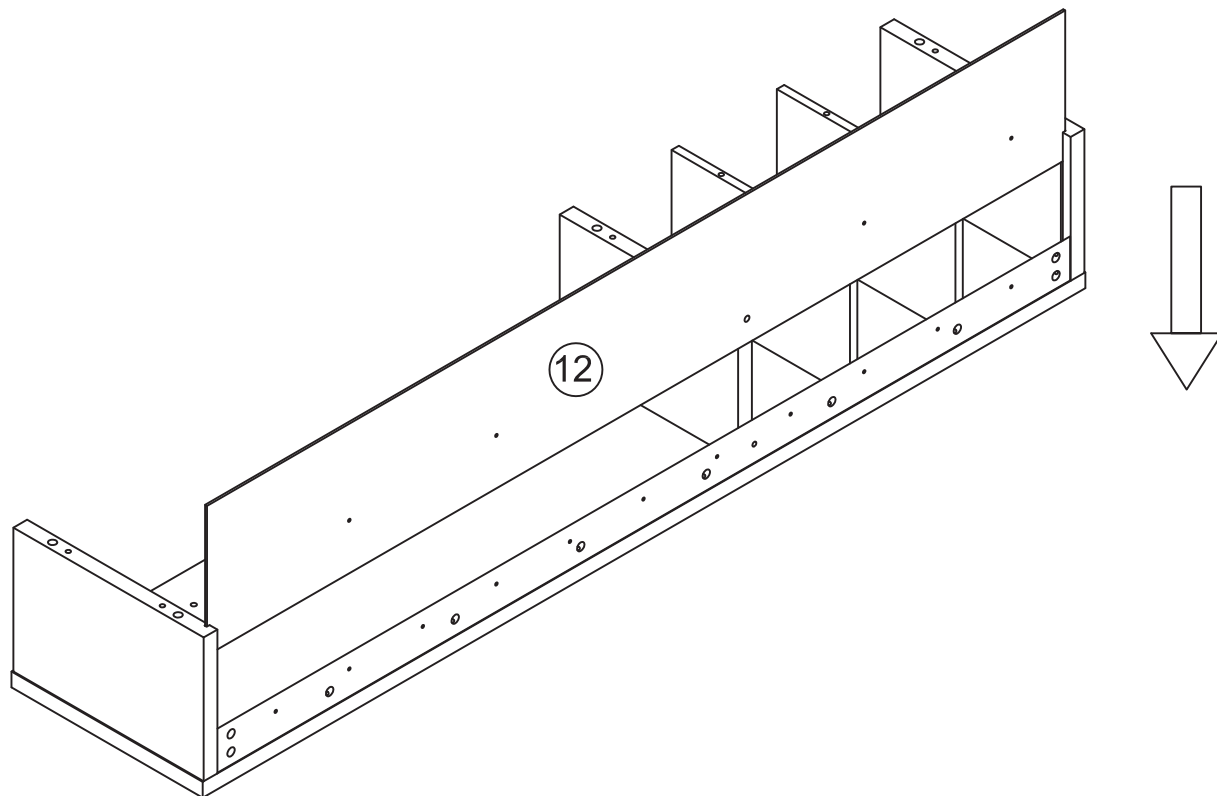


# STEP 7

 13 x6pcs

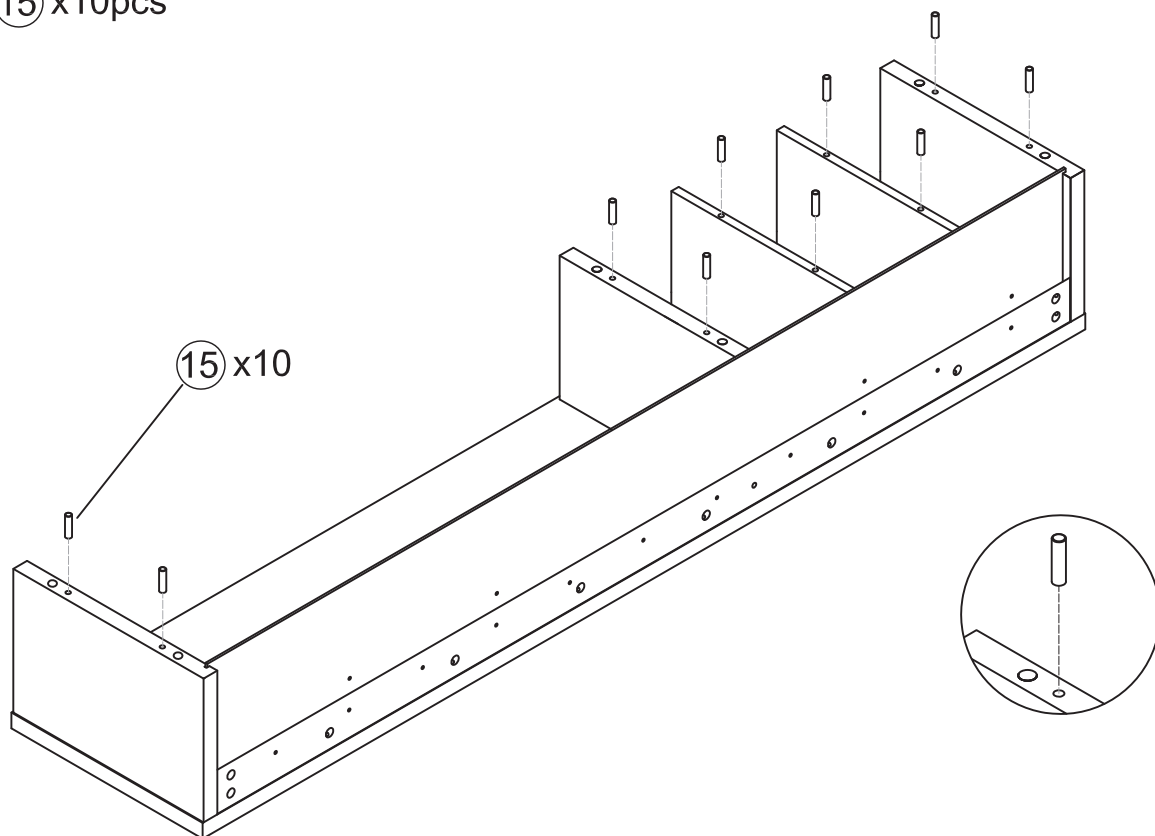


# STEP 8



# STEP 9

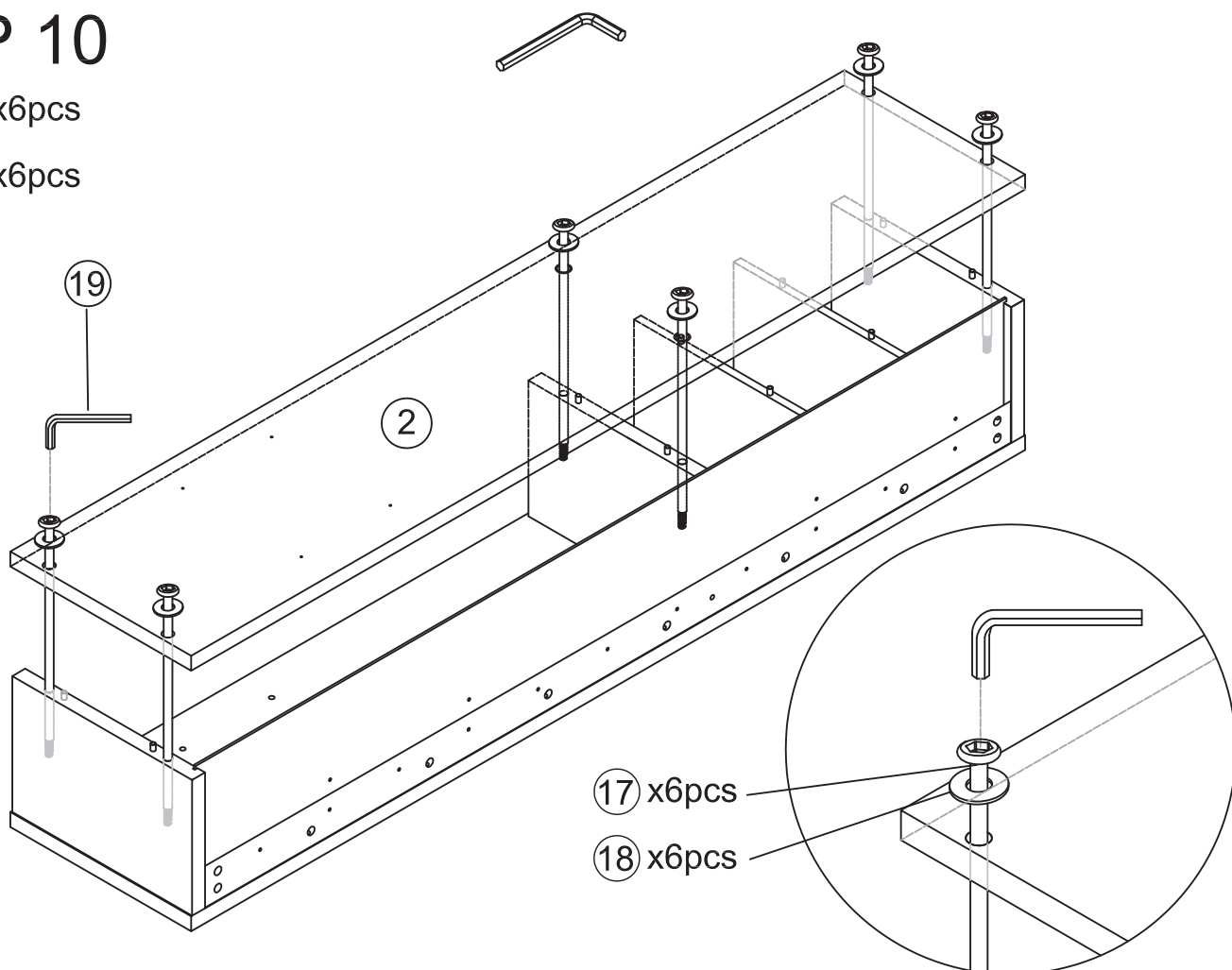
 ⑮ x10pcs



# STEP 10

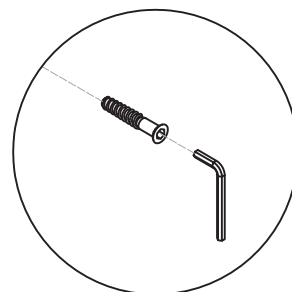
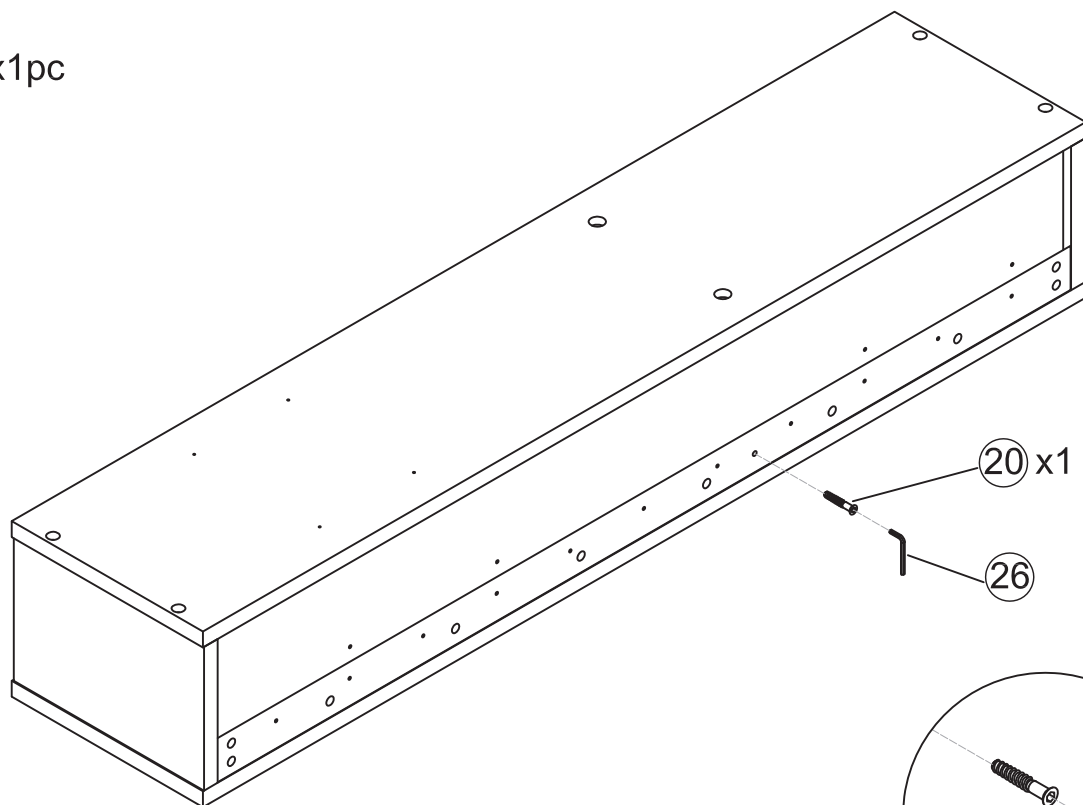
 ⑰ x6pcs

 ⑱ x6pcs



# STEP 11

 20 x1pc

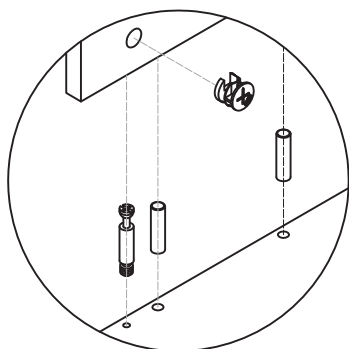
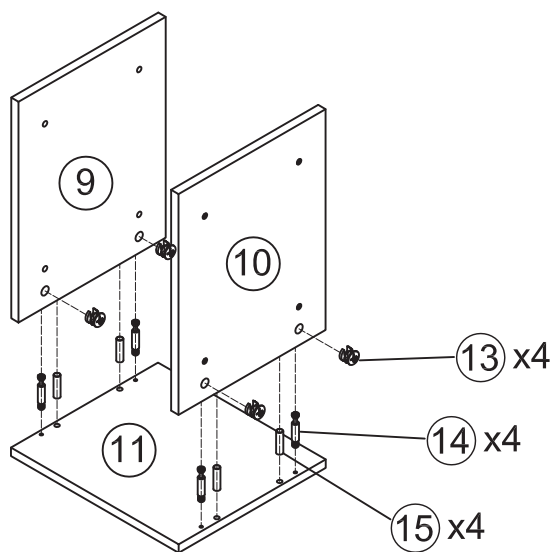


# STEP 12

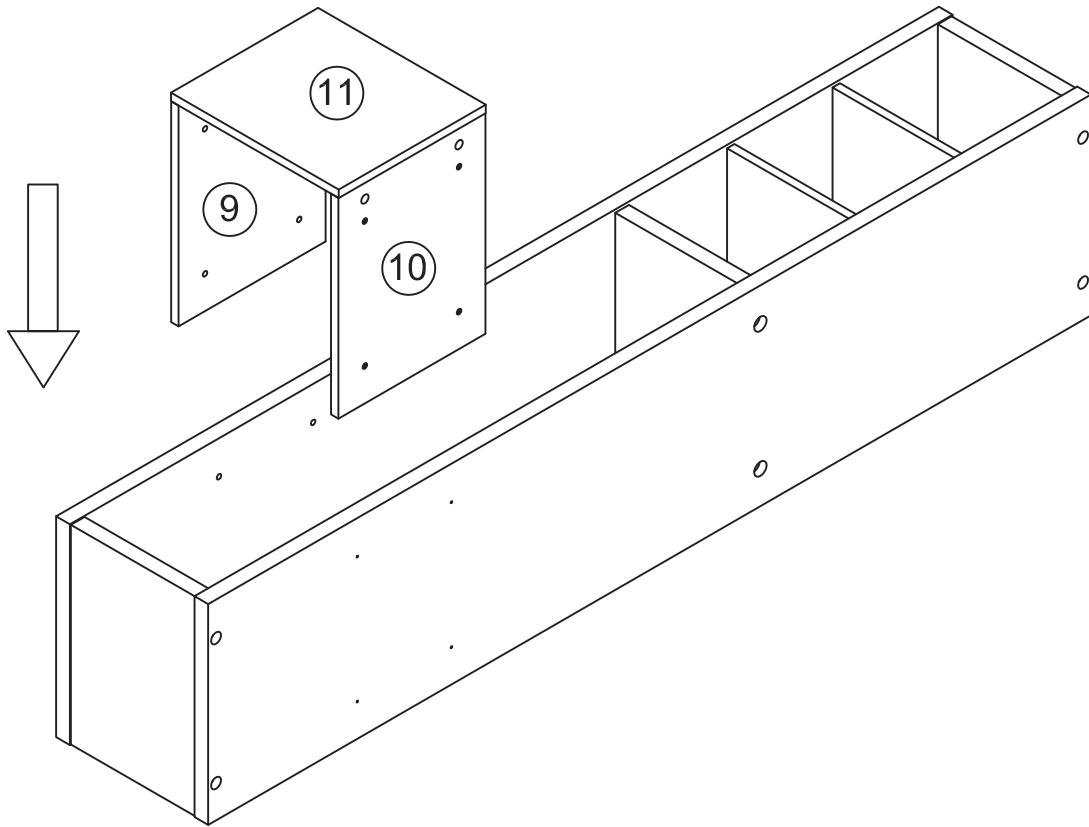
 13 x4pcs

 14 x4pcs

 15 x4pcs



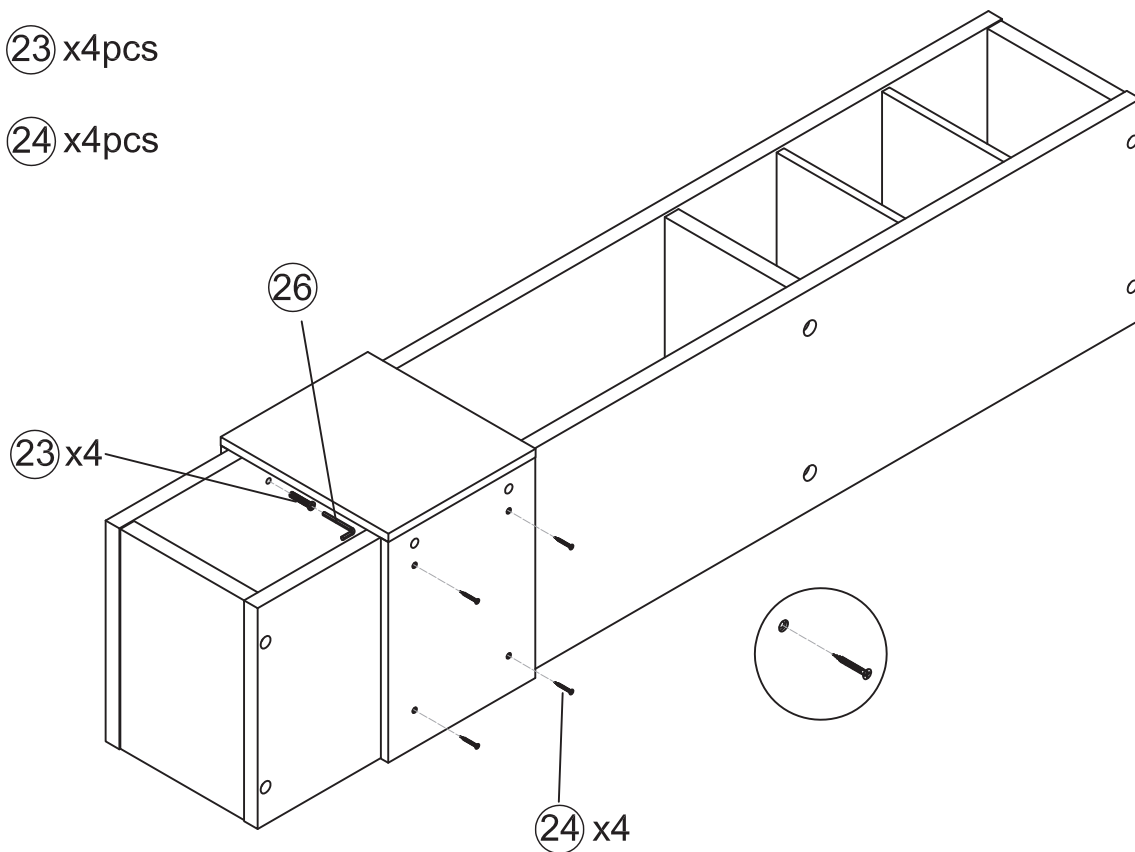
# STEP 13



# STEP 14

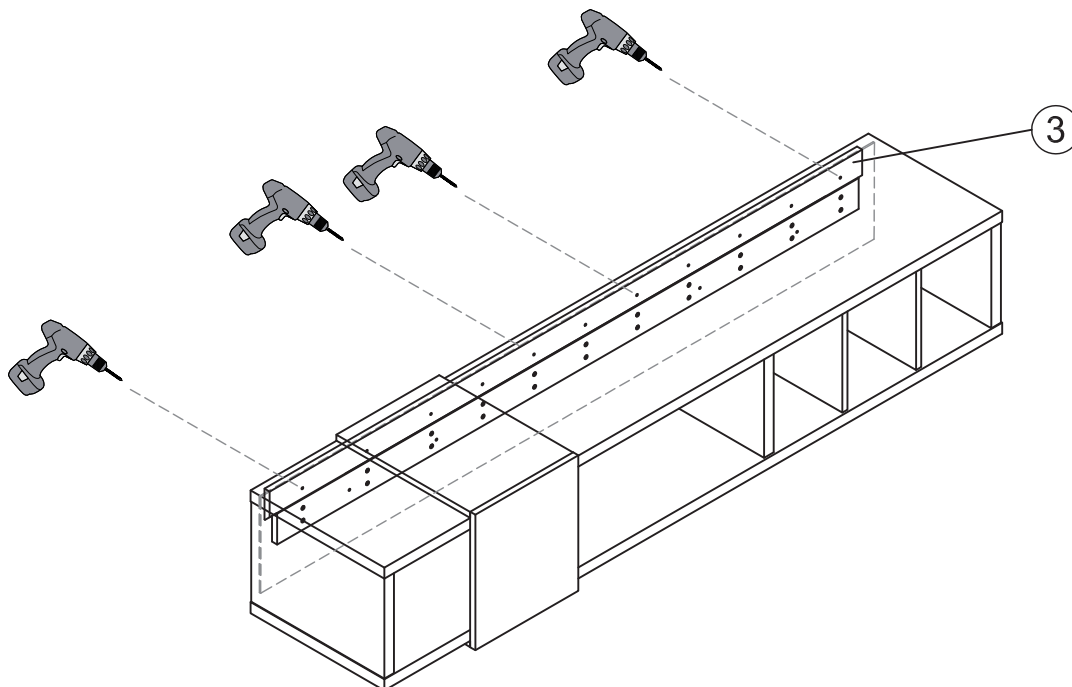
 ②③ x4pcs

 ②④ x4pcs

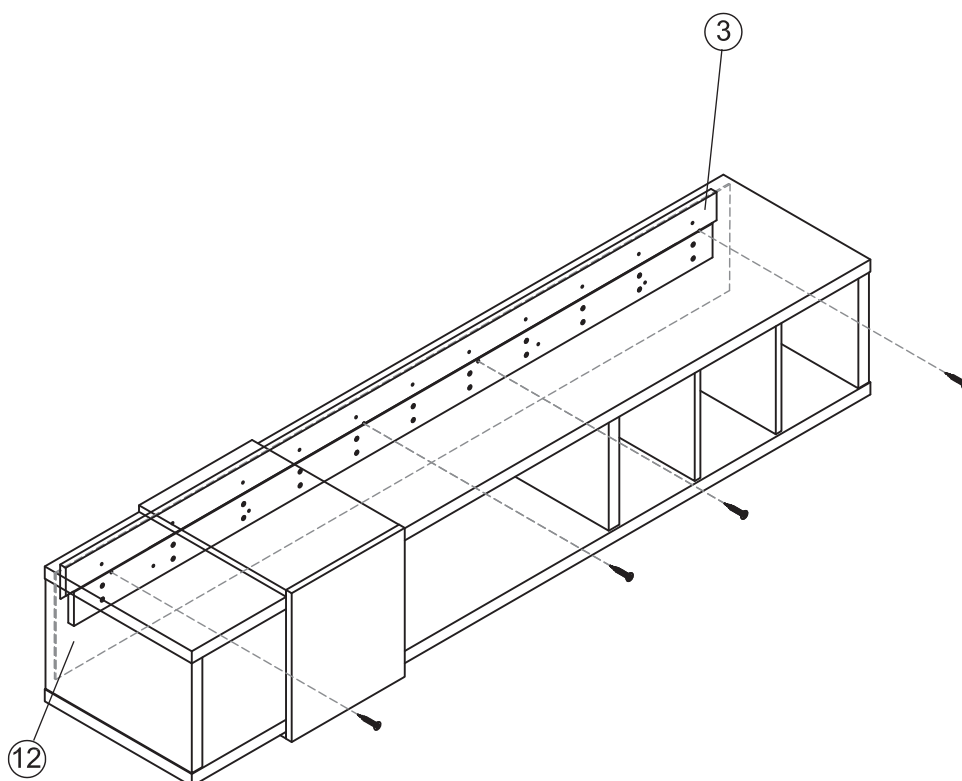


# OPTIONAL STEP 1

OPTIONAL STEP - FOR PROFESSIONAL INSTALLATION ONLY (HARDWARE NOT PROVIDED)  
FOR ADDITIONAL SUPPORT YOU MAY WISH TO USE EXTRA HARDWARE TO BRING  
CABINET TOP FLUSH WITH THE WALL.  
USE CABINET MOUNT (PART 3) AS A GUIDE TO DRILL THROUGH REAR CABINET  
PANEL(PART 12) AND THEN USE APPROPRIATE FIXINGS TO SCREW THROUGH REAR  
PANEL INTO WALL.

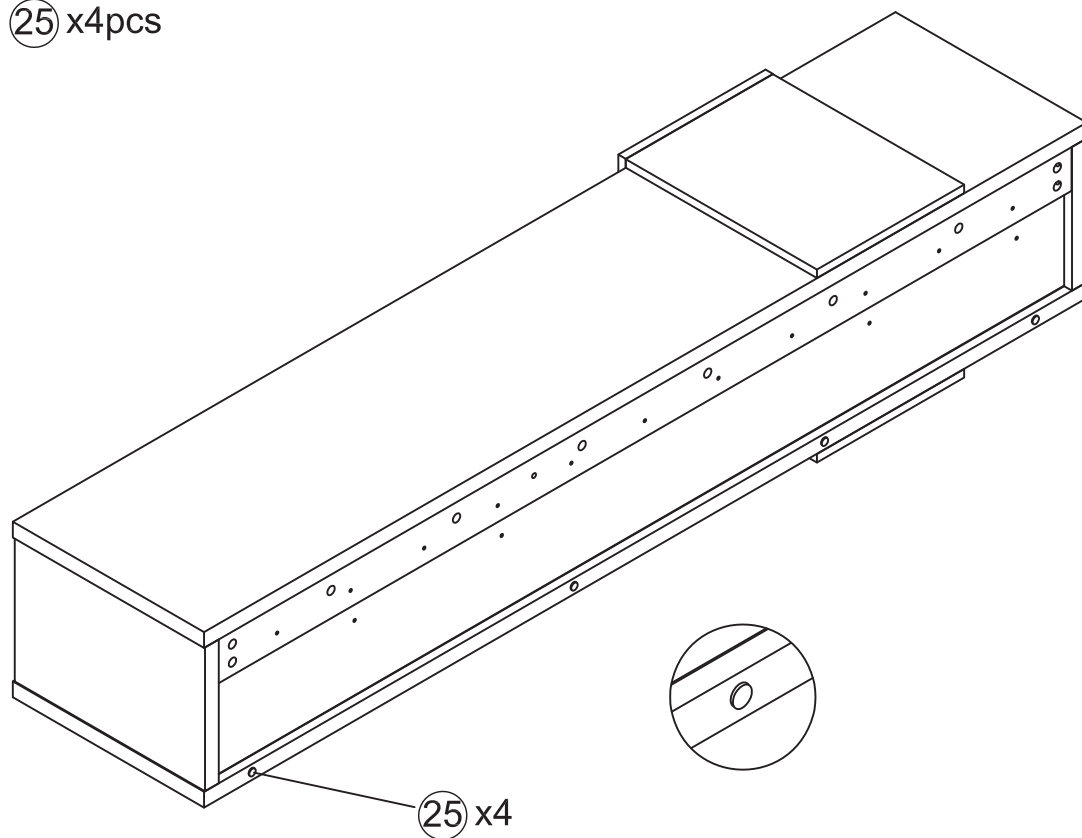


# OPTIONAL STEP 2



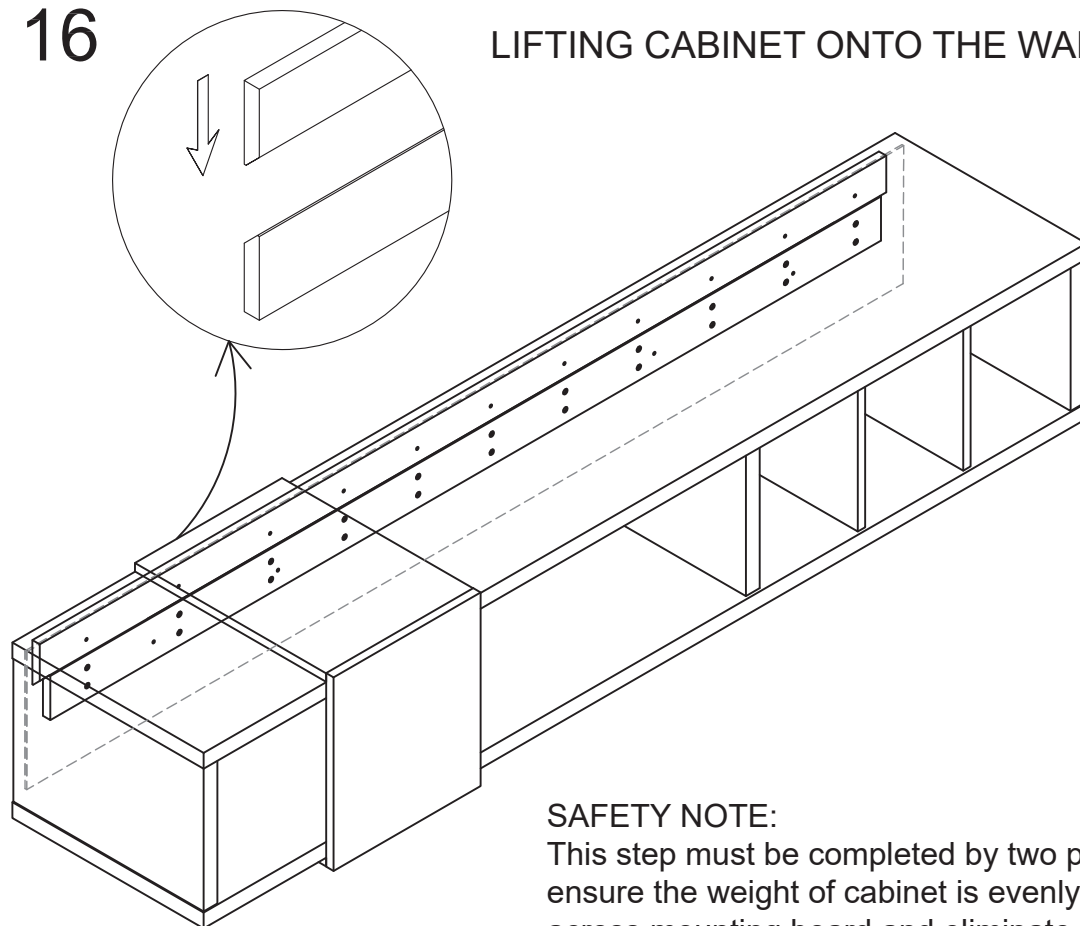
# STEP 15

 25 x4 pcs



# STEP 16

LIFTING CABINET ONTO THE WALL



## SAFETY NOTE:

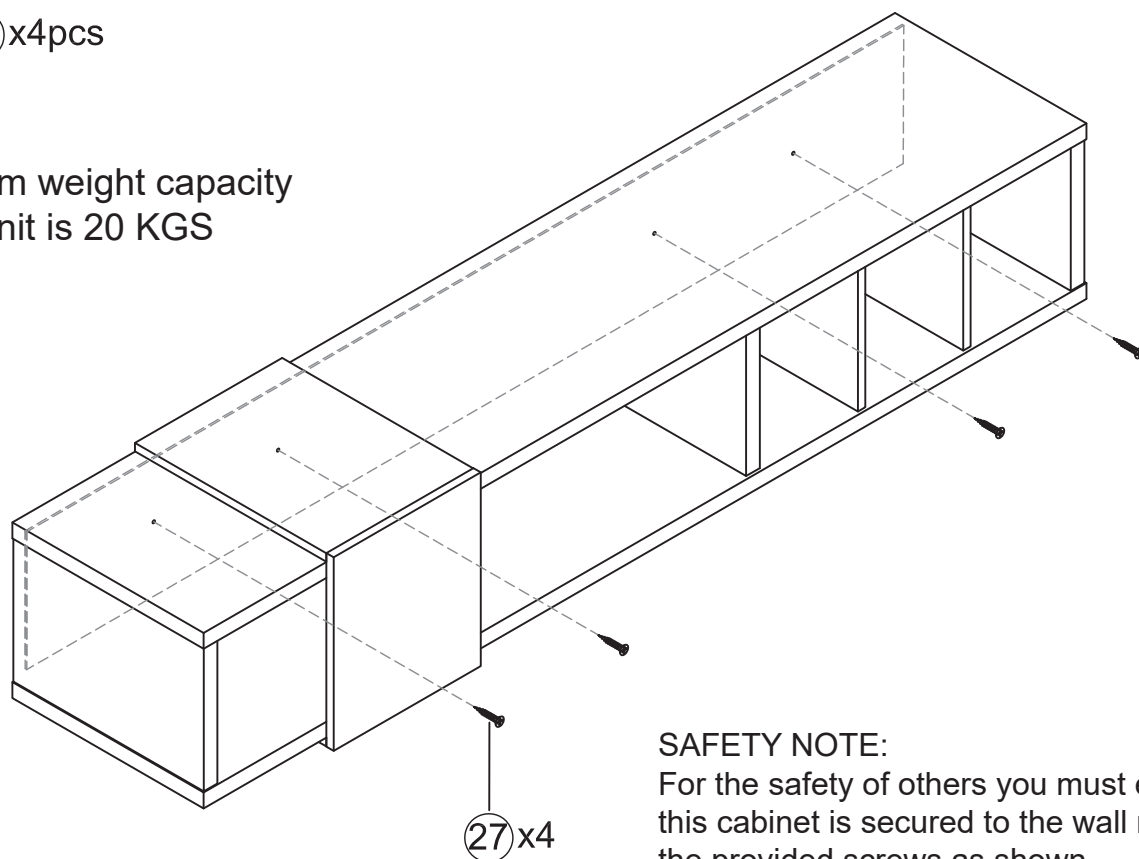
This step must be completed by two persons to ensure the weight of cabinet is evenly distributed across mounting board and eliminate physical injury to individuals.

# STEP 17

## SECURING CABINET TO WALL MOUNT

 27 x4 pcs

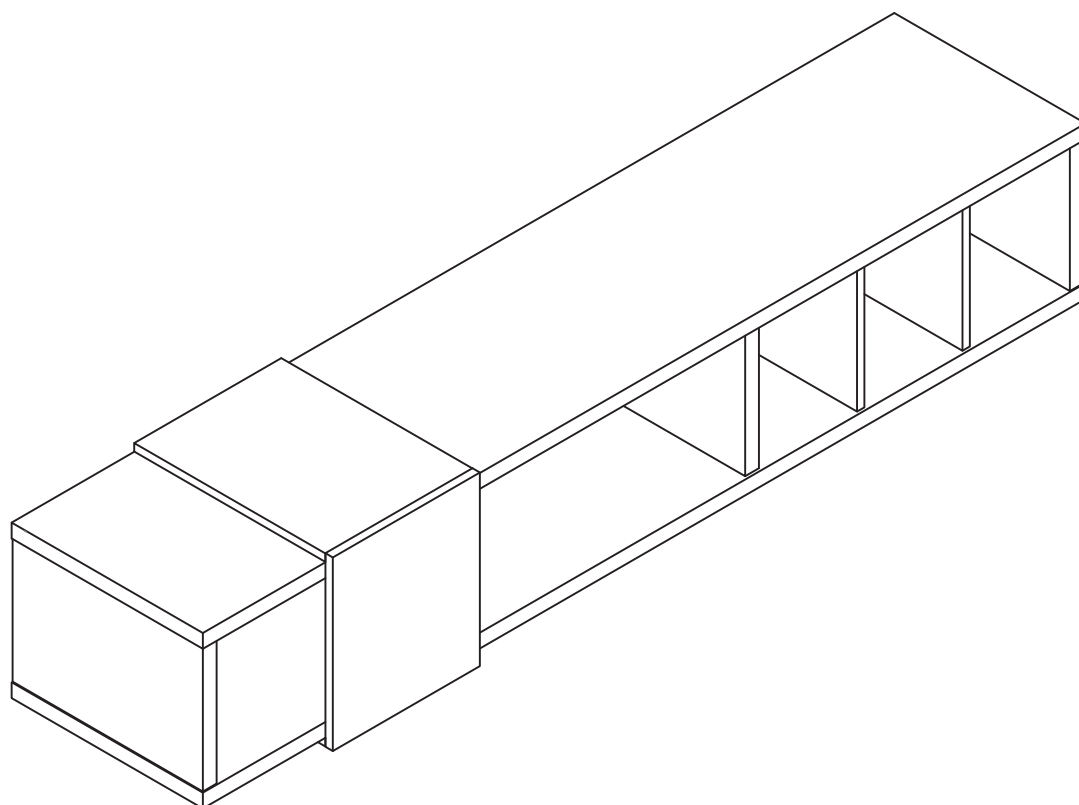
Maximum weight capacity  
of this unit is 20 KGS



### SAFETY NOTE:

For the safety of others you must ensure that this cabinet is secured to the wall mount with the provided screws as shown.

# STEP 18





# TAURIS

## SURFACE CARE INSTRUCTIONS

A little care and attention will extend the life and good looks of your furniture. Take care when using materials which might spill, or be sharp or abrasive, on the surface of your furniture.

**Normal Cleaning** For normal cleaning use a soft, dry, clean cloth.

**Glass Cleaning for Frosted Glass** Do not use glass cleaner or solvent based cleaners on the surface of the glass that has the frosting effect on it.

**Normal Glass Cleaning** You may use normal glass cleaning products on all other types of glass. Use a soft non-abrasive cloth to remove light dust and finger prints.

**Vinyl and Cloth Cleaning** Under no circumstances should any abrasive materials be used on this surface, as it will result in unreparable damage.

Do not use solvents, solvent based cleaners, scouring pads, steel wool, furniture wax or scrubbing brushes.

Only use a slightly damp, soft, clean cloth on this surface if cleaning is needed. Do not scrub.

### CAUTION

As with all furniture, this unit should not be exposed to direct sunlight, extreme temperatures or moisture, as this can result in non-reparable damage.

**Note:** The sooner a spill or mark is cleaned, the easier it will be removed.

---

#### Customer Service

**FOR ALL MISSING OR FAULTY PARTS:** PLEASE RE-CHECK YOUR PACKAGING TO ENSURE THAT PARTS ARE MISSING THEN CONTACT THE STORE YOU PURCHASED THE ITEM FROM.

#### **THE STORE WILL NEED THE FOLLOWING INFORMATION.....**

- COPY OF YOUR PURCHASE SLIP/RECEIPT
- MODEL NUMBER OF THE UNIT PURCHASED
- DESCRIPTION/PART NUMBER OF THE MISSING OR FAULTY PART
- QUANTITY OF THE PARTS NEEDED

If for whatever reason you cannot get in contact with the store, please get in contact with Tauris direct at <http://www.rvm.com.au/contact/>

Product of RVM Australia

11 Tamara Drive, COCKBURN CENTRAL

Perth, Western Australia 6164

PH: 08 9417 9944



# WARRANTY POLICY

1. Nothing in this Warranty affects the Consumer's rights under the Australian Consumer law. The benefits to the Consumer under this Warranty are in addition to the rights and remedies of the buyer under any Consumer Guarantees. The Australian Consumer Law requires that we confirm that:

**Our goods come with guarantees that cannot be excluded under the Australian Consumer Law. You are entitled to a replacement or refund for a major failure and for compensation for any other reasonably foreseeable loss or damage. You are also entitled to have the goods repaired or replaced if the goods fail to be of acceptable quality.**

2. Subject to Clause 1, the Seller warrants that SAURIS branded products will be free of manufacturing defects and will perform to the Seller's specifications subject to the following clauses.

3. The benefit of this 12 Month Warranty extends only to the owner of the property in which the Products manufactured or supplied by the Seller are installed and used by the owner for the duration of the Warranty Period.

4. If within the Warranty Period a manufacturing defect is discovered in the Product, or the Product fails to perform to the Seller's specifications as a result of some defect in material or workmanship, then the Seller will replace or repair the goods under Warranty or refund the purchase price paid by the consumer (except if the failure is a major failure)

5. The Warranty does not apply to Product that:

- a.) Has failed due to excessive wear and tear beyond what is considered to be reasonable.
- b.) Has been misused or neglected.
- c.) Has been damaged accidentally or by acts of God including fire and flooding.
- d.) Has been used or operated contrary to operating or maintenance instructions.
- e.) Has been damaged in transit from the Sellers store to the buyer, either by the buyer or a third party authorised to act for the buyer.
- f.) Was incorrectly assembled or installed

6. In order to make a claim under the Warranty, the Owner must provide proof of purchase in all cases.

7. The seller will examine any returned Products and if the Seller determines that there is an apparent defect through no fault of the Owner, the Seller will:

- a.) Make note of the Owner's contact details including the Owner's telephone number which the owner can be contacted during business hours, postal address and e-mail address.

This Warranty is Supplied by : RVM Australia Pty Ltd

**STRONG - SAFE - SECURE**

[www.rvm.com.au](http://www.rvm.com.au)



- b.) Make note of the defects reported by the Owner.
  - c.) Take back the defective goods from the owner and determine within a reasonable time through dialogue with the Seller whether the goods are defective.
  - d.) Advise the owner within a reasonable time frame whether it accepts or rejects the Product claim.
  - e.) If the Seller accepts the return of the Product, the Seller must arrange to have
    - i) The Product repaired or,
    - ii) Replace the damaged or faulty Product or,
    - iii) Refund the purchase price
8. The Seller will not accept any returned Product which has not been returned strictly in accordance with this Warranty.
9. For the purpose of this Warranty:
- a.) Australian Consumer Law means the law as set out in Schedule 2 of the Competition and Consumer Act 2010 (Cth).
  - b.) Consumer means the Purchaser of goods from the seller.
  - c.) Consumer means a Consumer as that term is set out in section 3 of the Australian Consumer Law.
  - d.) Consumer Guarantees means the guarantees under the Australian Consumer Law.
  - e.) Implied terms means any guarantees, conditions, warranties, or other terms implied by any Australian Commonwealth, State or Territory laws, (excluding the Australian Consumer Law) or the law of any other jurisdiction.
  - f.) Owner has the meaning set out in clause 3.
  - g.) Warranty means this warranty.
  - h.) Product means the Product/s bought by the Owner from the Seller that fall under this warranty.
  - i.) Warranty Period means:
    - i) In relation to Furniture: 12 months Limited Warranty