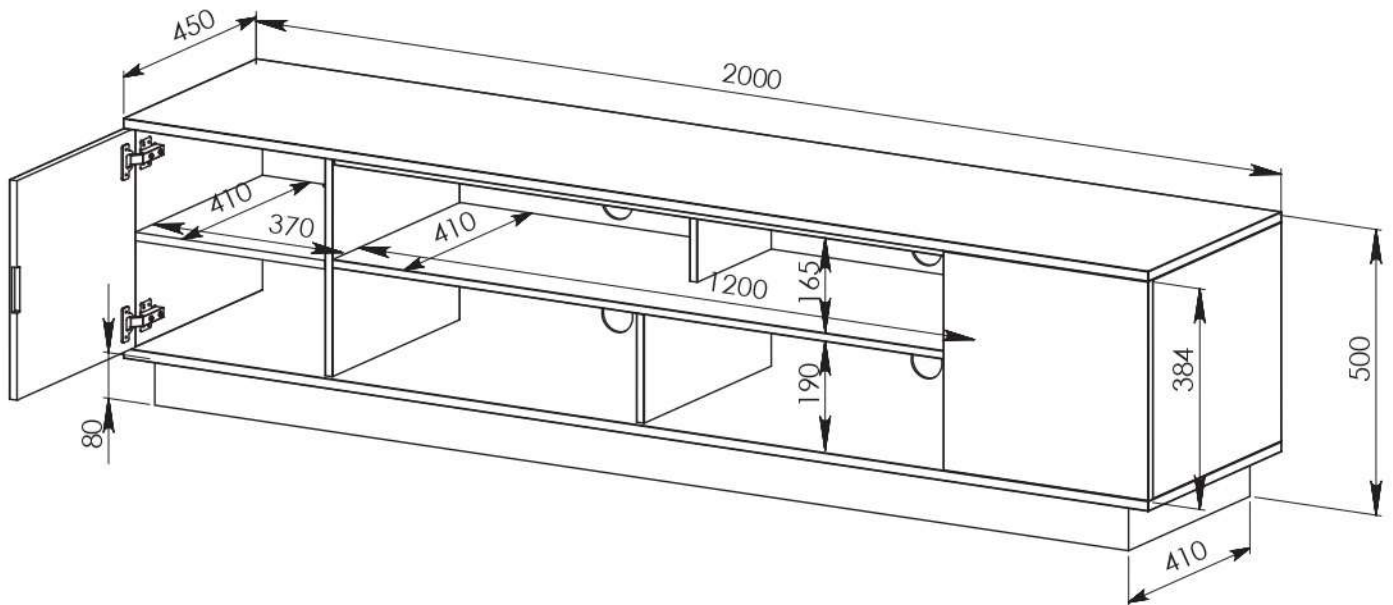


Assembly Instruction Manual

MODEL NO.: DELUX2000



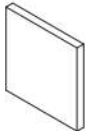




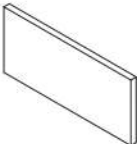
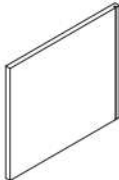
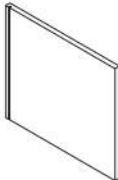

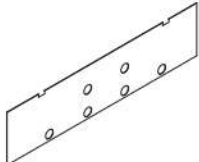



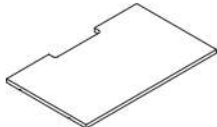
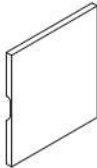





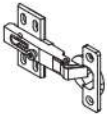







-
- Please follow these assembly instructions as it will save you time, make assembly easier and prevent possible damage to your new unit.
 - We strongly recommend that the unit is assembled on a soft surface such as carpet or blanket.
 - We suggest the use of hand tools only to tighten all screws and fittings, as power tools can strip threads if over tightened.
 - Correct assembly is your responsibility.
 - **When moving this furniture item, always carry the unit. Dragging or sliding the unit could damage the unit and the floor surface.**
-



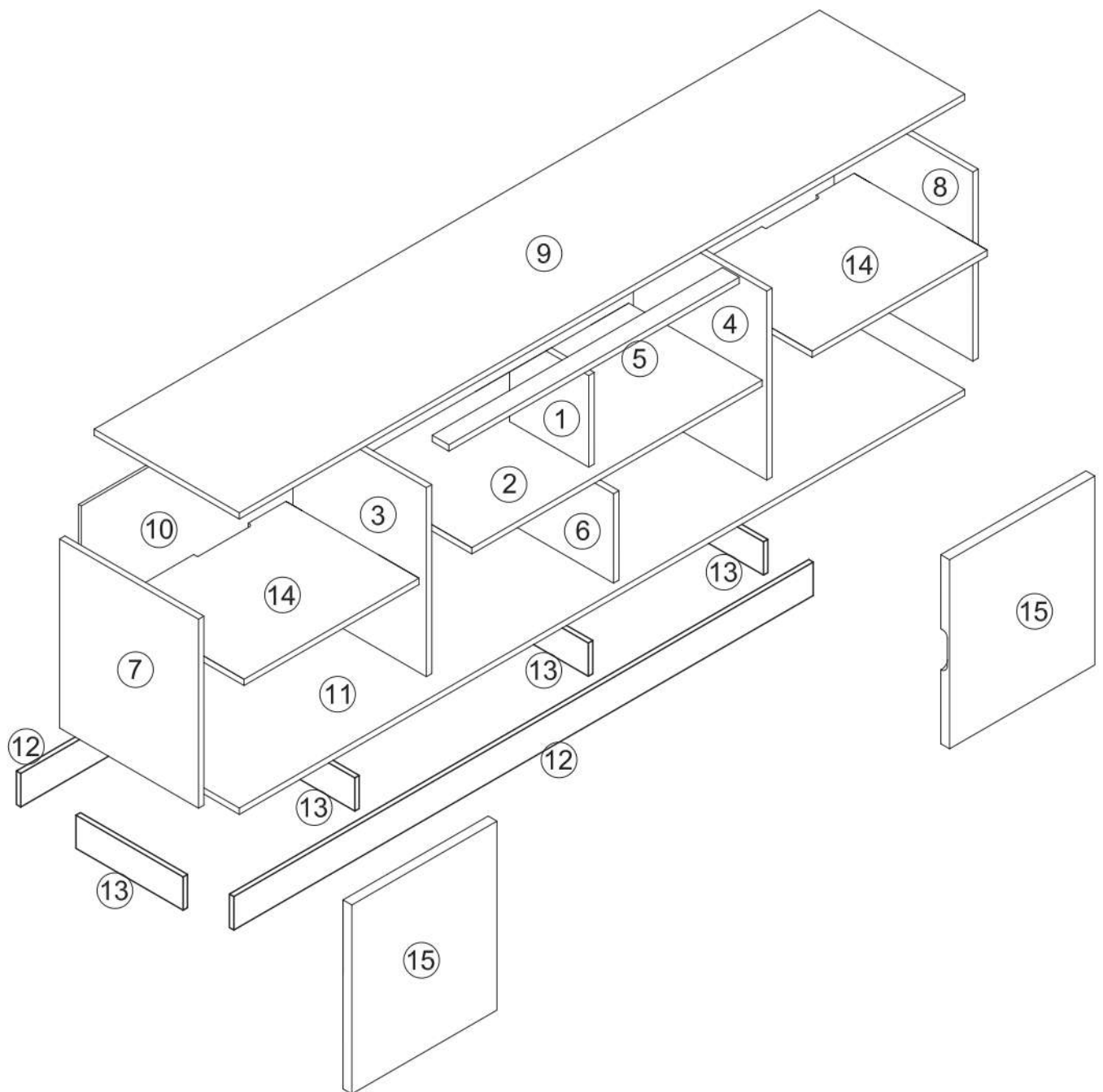
CHILDREN HAVE DIED FROM FURNITURE TIPOVER.

- NEVER allow children to stand, climb or hang on drawers, doors or shelves.
- ALWAYS secure your television with an anchor device or mount the television on a wall (anchor device not included).

Part List:

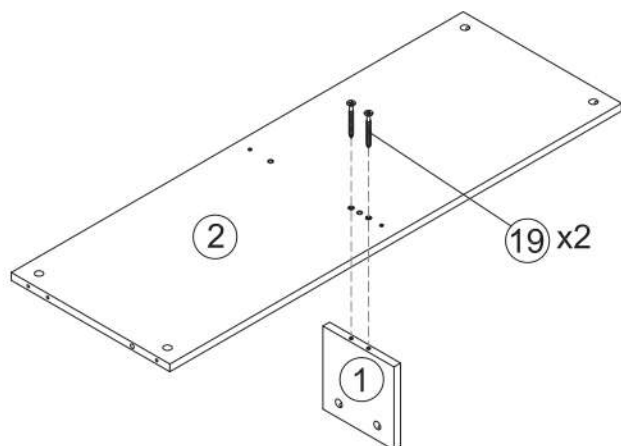
① x1pc 	② x1pc 	③ x1pc 	④ x1pc 	⑤ x1pc 
⑥ x1pc 	⑦ x1pc 	⑧ x1pc 	⑨ x1pc 	⑩ x1pc 
⑪ x1pc 	⑫ x2pcs 	⑬ x4pcs 	⑭ x2pcs 	⑮ x2pcs 
⑯ x38pcs 	⑰ x38pcs 	⑱ x32pcs  ø8x30	⑲ x14pcs  ø4x40	⑳ x8pcs  ø5x(10+10)
㉑ x4pcs 	㉒ x32pcs  ø4x16	㉓ x4pcs 	㉔ x3pcs  ø6x25	㉕ x2pcs 
㉖ x2pcs 	㉗ x2pcs 	㉘ x2pcs  ø4x10		

OVERVIEW



STEP 1

➔ ①⑨ x2pcs

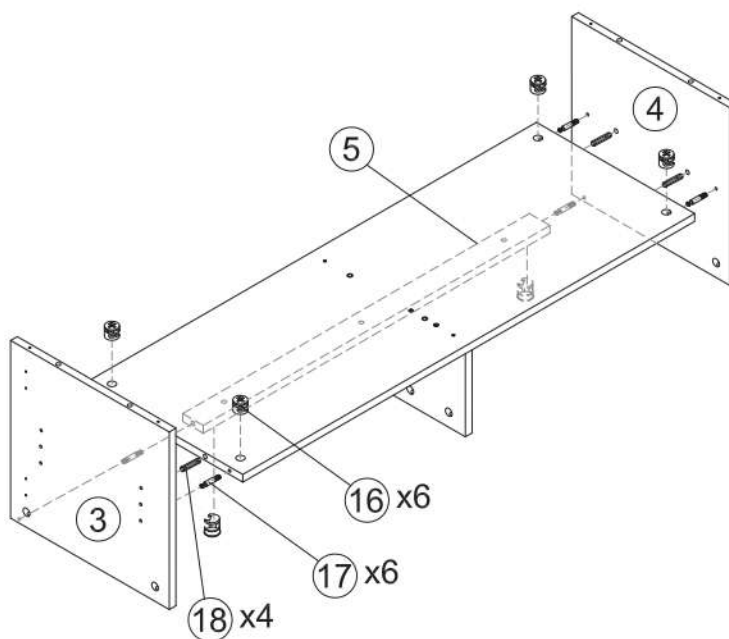



STEP 2


🌀 ①⑥ x6pcs

➔ ①⑦ x6pcs





➔ ①⑧ x4pcs





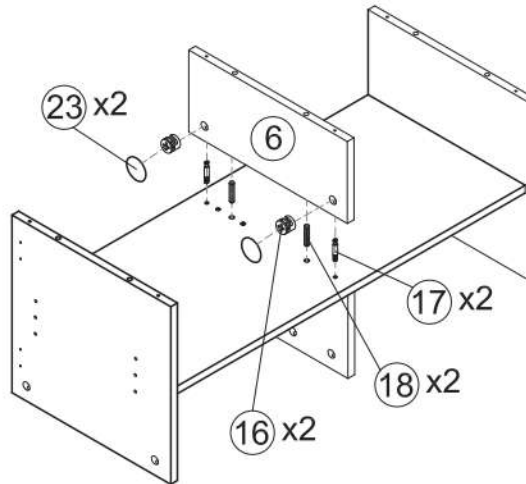
 **HINT** **Cam fitting detail**
When inserting cam, ensure arrowhead on cam points toward to the hole on the panel edge.

 Arrowhead

STEP 3

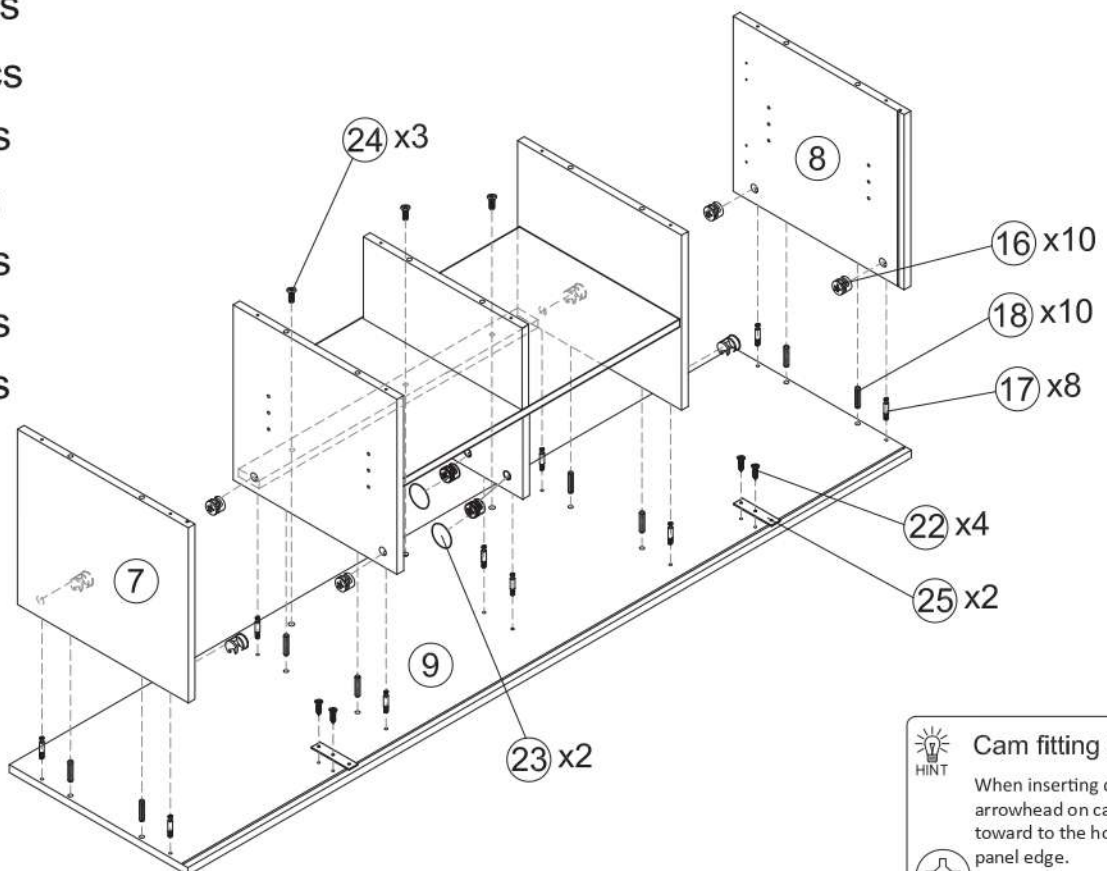
-  ①⑥ x2pcs
-  ①⑦ x2pcs
-  ①⑧ x2pcs
-  ②③ x2pcs


 **HINT** **Cam fitting detail**
 When inserting cam, ensure arrowhead on cam points toward to the hole on the panel edge.





STEP 4

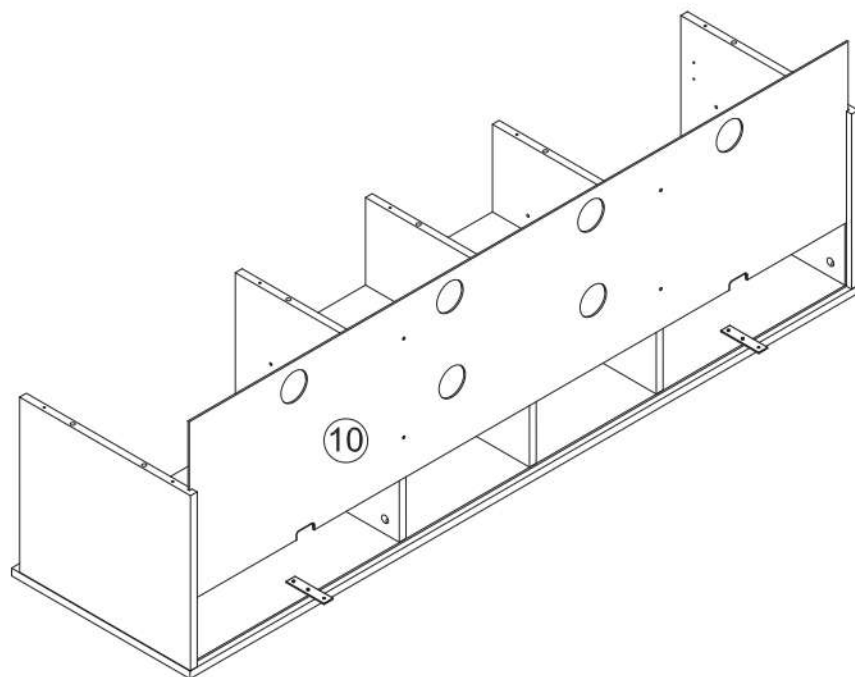
-  ①⑥ x10pcs
-  ①⑦ x10pcs
-  ①⑧ x8pcs
-  ②② x4pcs
-  ②③ x2pcs
-  ②④ x3pcs
-  ②⑤ x2pcs



 **HINT** **Cam fitting detail**
 When inserting cam, ensure arrowhead on cam points toward to the hole on the panel edge.



STEP 5

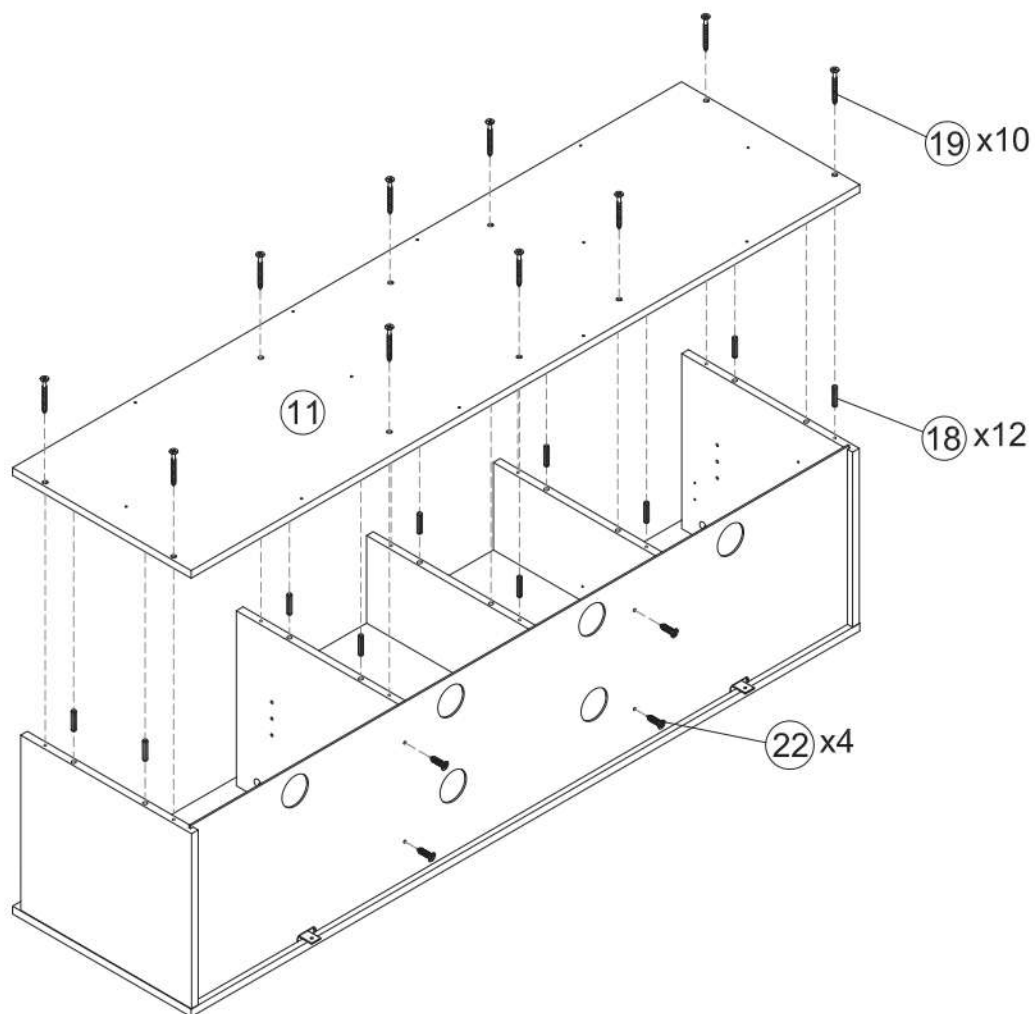


STEP 6




⑱ x10pcs

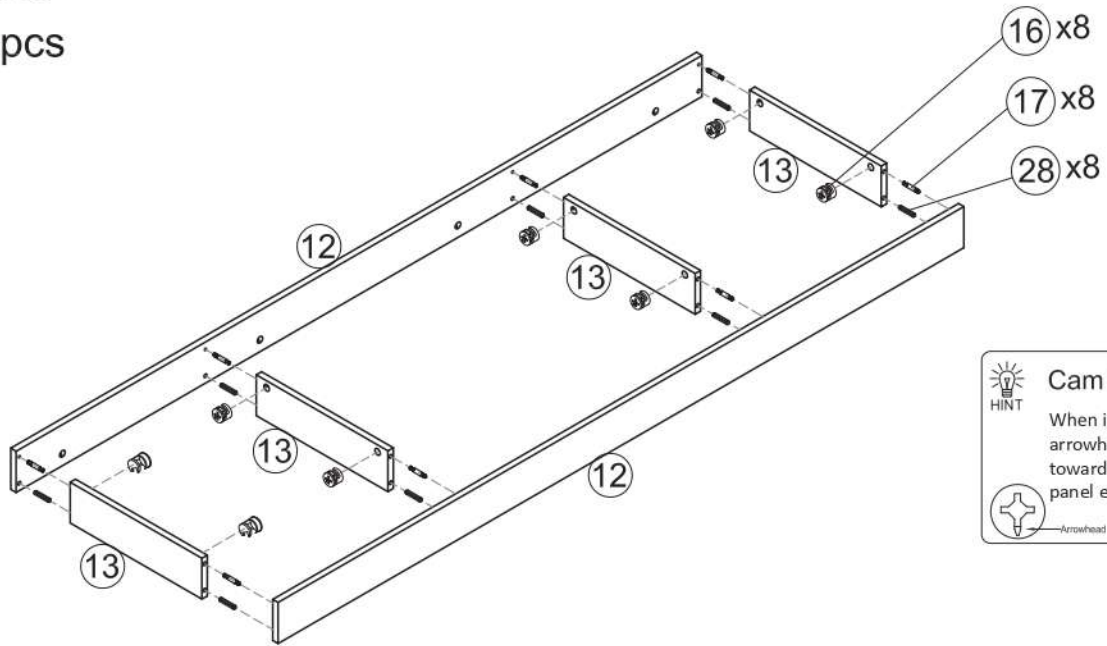
⑲ x10pcs


⑳ x4pcs



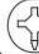
STEP 7

-  16 x8pcs
-  17 x8pcs
-  18 x8pcs





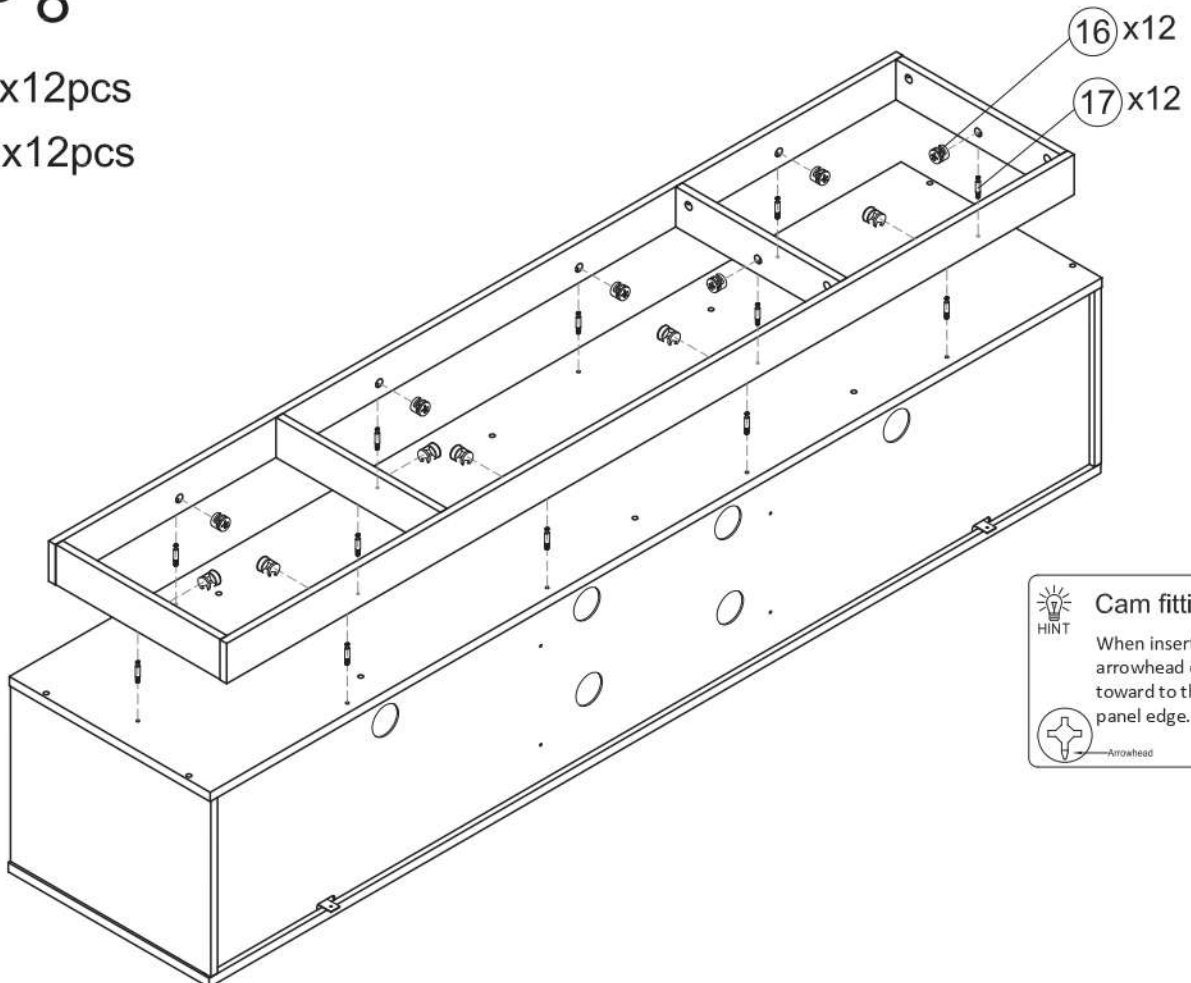
 **HINT** Cam fitting detail


When inserting cam, ensure arrowhead on cam points toward to the hole on the panel edge.

 Arrowhead


STEP 8

-  16 x12pcs
-  17 x12pcs



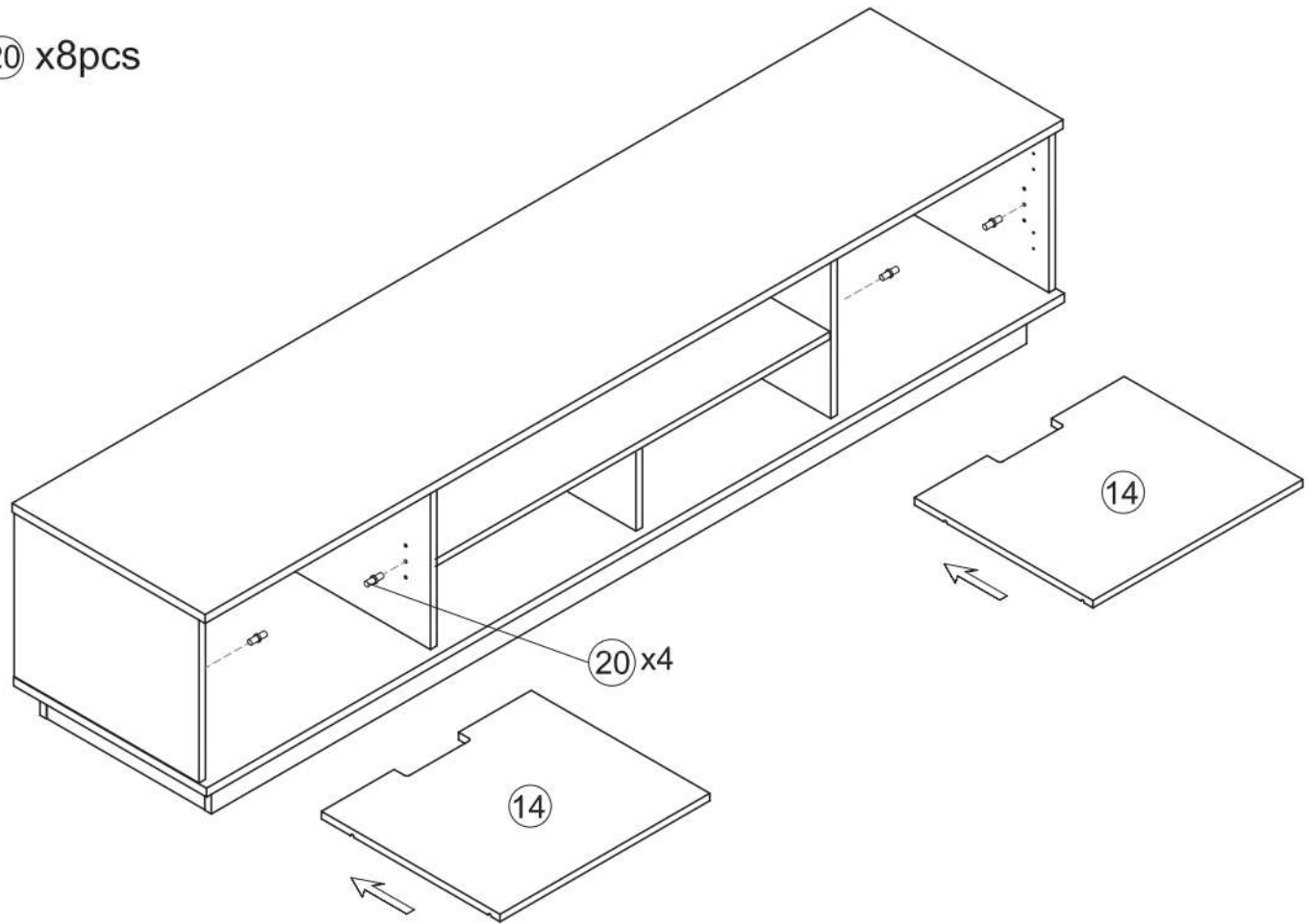
 **HINT** Cam fitting detail

When inserting cam, ensure arrowhead on cam points toward to the hole on the panel edge.


 Arrowhead


STEP 9

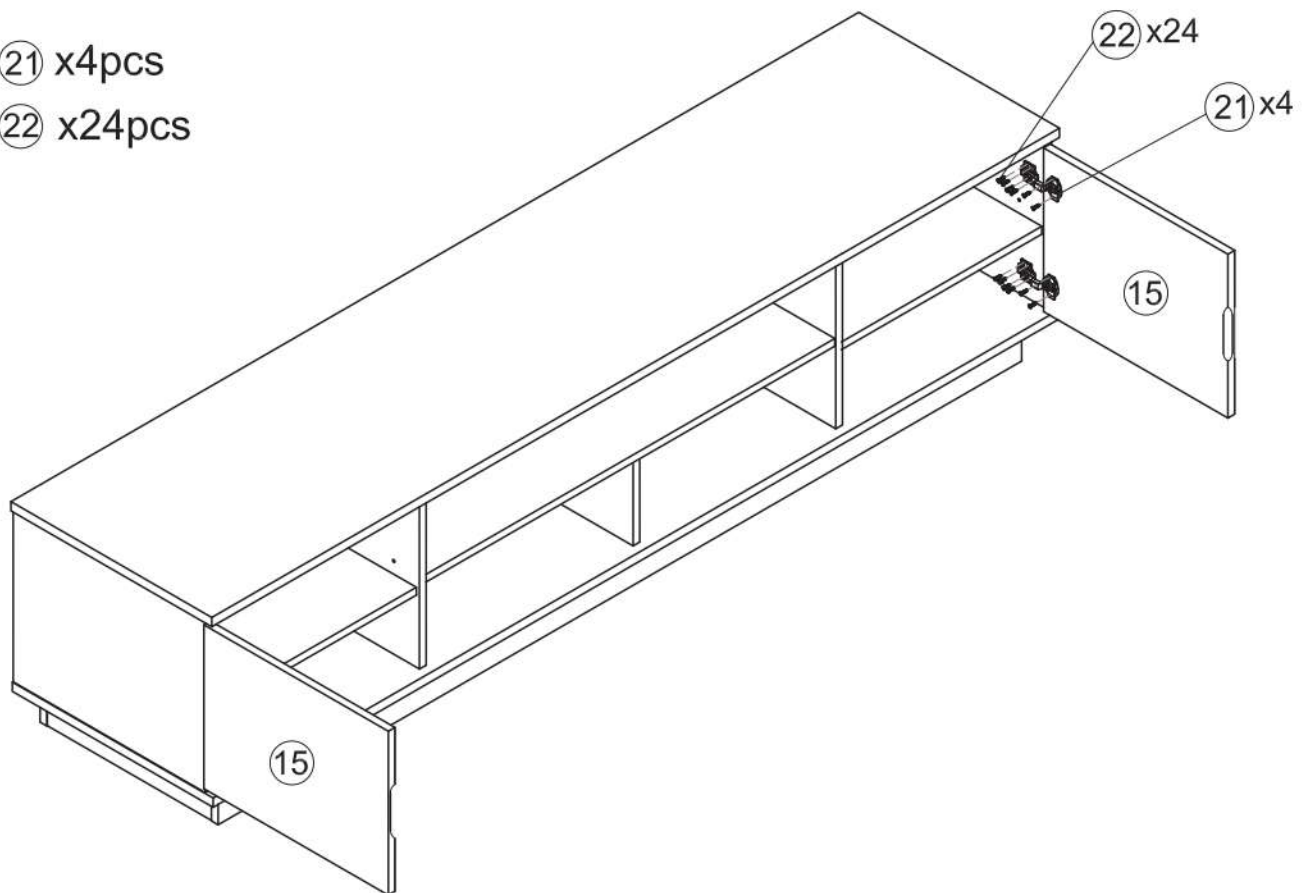
 ②0 x8pcs




STEP 10

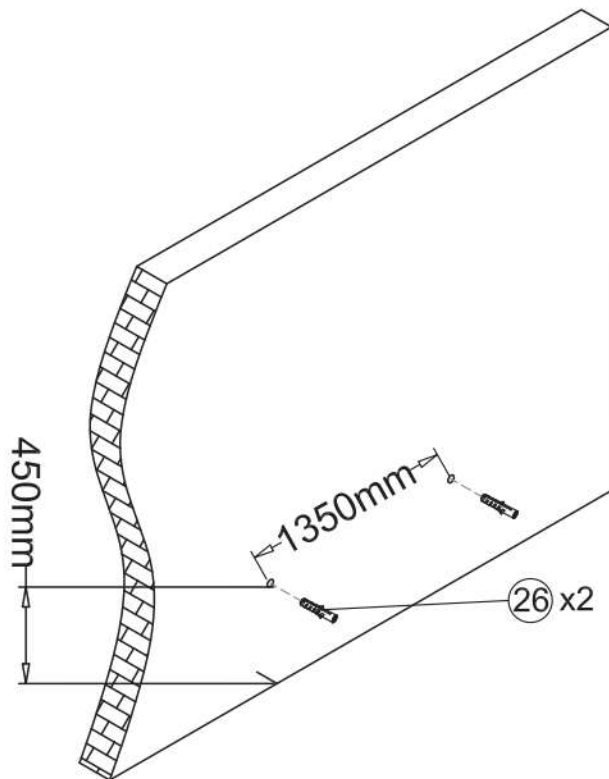
 ②1 x4pcs

 ②2 x24pcs




STEP 11

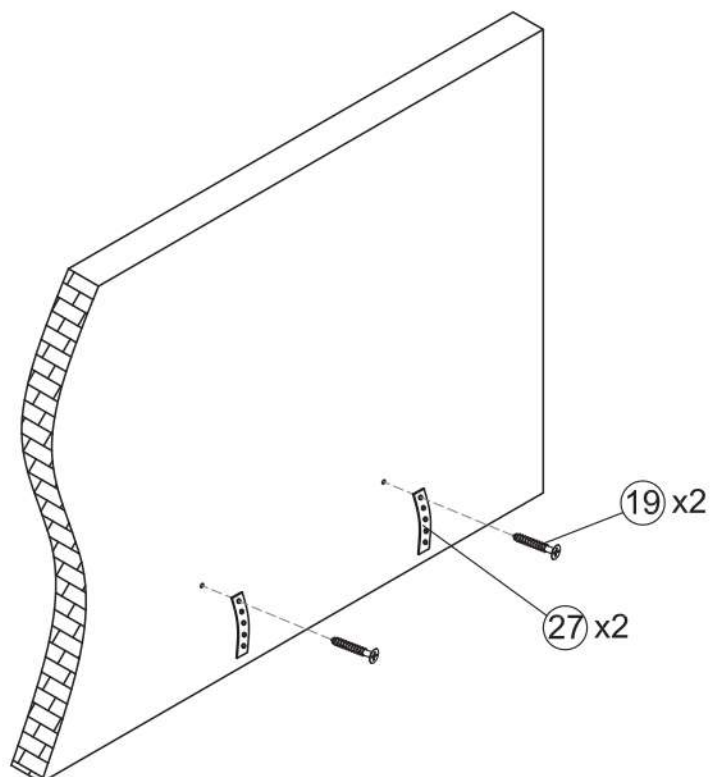
 ②⑥ x2pcs



STEP 12

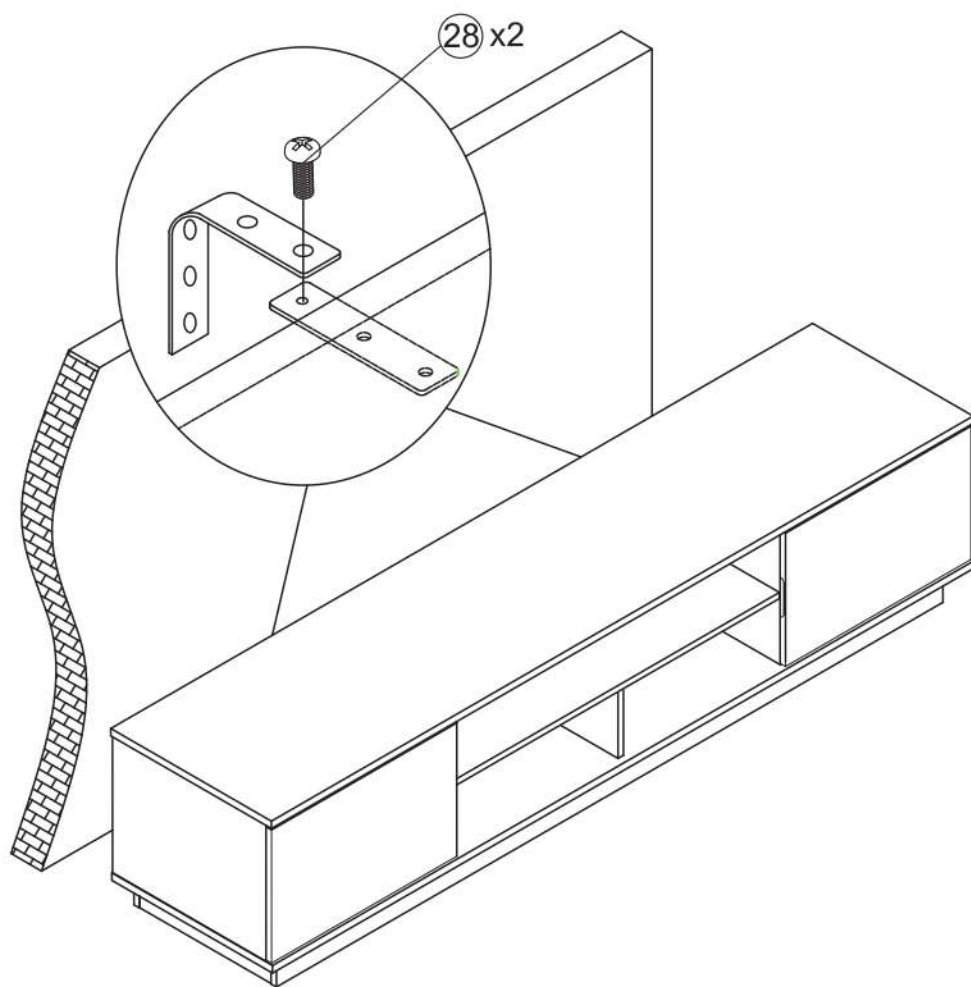
 ①⑨ x2pcs

 ②⑦ x2pcs



STEP 13

 28 x2pcs



SURFACE CARE INSTRUCTIONS

A little care and attention will extend the life and good looks of your furniture. Take care when using materials which might spill, or be sharp or abrasive, on the surface of your furniture.

Normal Cleaning For normal cleaning use a soft, dry, clean cloth.

Glass Cleaning for Frosted Glass Do not use glass cleaner or solvent based cleaners on the surface of the glass that has the frosting effect on it.

Normal Glass Cleaning You may use normal glass cleaning products on all other types of glass. Use a soft non-abrasive cloth to remove light dust and finger prints.

Vinyl and Cloth Cleaning Under no circumstances should any abrasive materials be used on this surface, as it will result in unreparable damage.

Do not use solvents, solvent based cleaners, scouring pads, steel wool, furniture wax or scrubbing brushes.

Only use a slightly damp, soft, clean cloth on this surface if cleaning is needed. Do not scrub.

CAUTION

As with all furniture, this unit should not be exposed to direct sunlight, extreme temperatures or moisture, as this can result in non-reparable damage.

Note: The sooner a spill or mark is cleaned, the easier it will be removed.