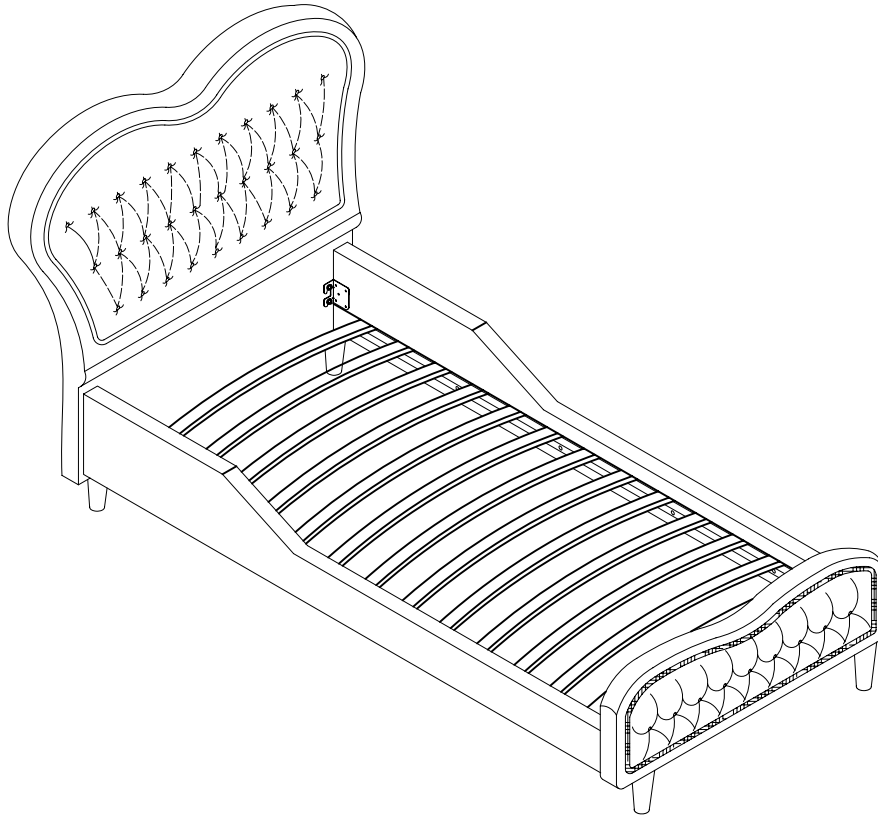


ASSEMBLY INSTRUCTIONS

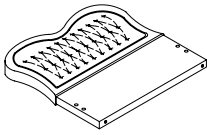
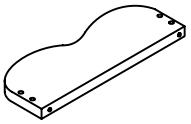
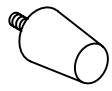
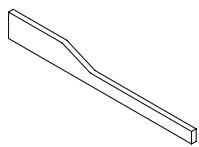
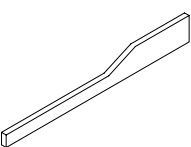
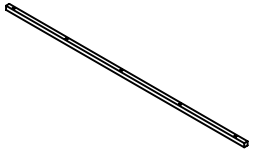

Style # Bed



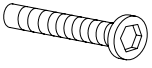
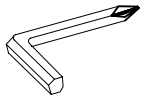

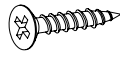
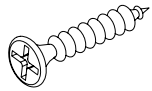
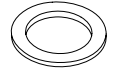

NOTE TO CUSTOMERS:

- For ease and speed of assembly we recommend that before you commence each step of the assembly that you identify all the parts required to complete that step.
- We recommend that where possible you allow sufficient space to assemble the item as close as possible to the place where it will be once assembled.
- For the protection of your furniture we recommend that the product is placed on protected surfaces during assembly to prevent any damage.
- During assembly do not over tighten, as this may damage the product.
- Please ensure you retain all the product packaging until the item completely assembled.
- Please periodically check all fittings and re-tighten as necessary.
- Please never allow any liquids to remain on your furniture as absorption can cause the wood to warp or finish to de-laminate.

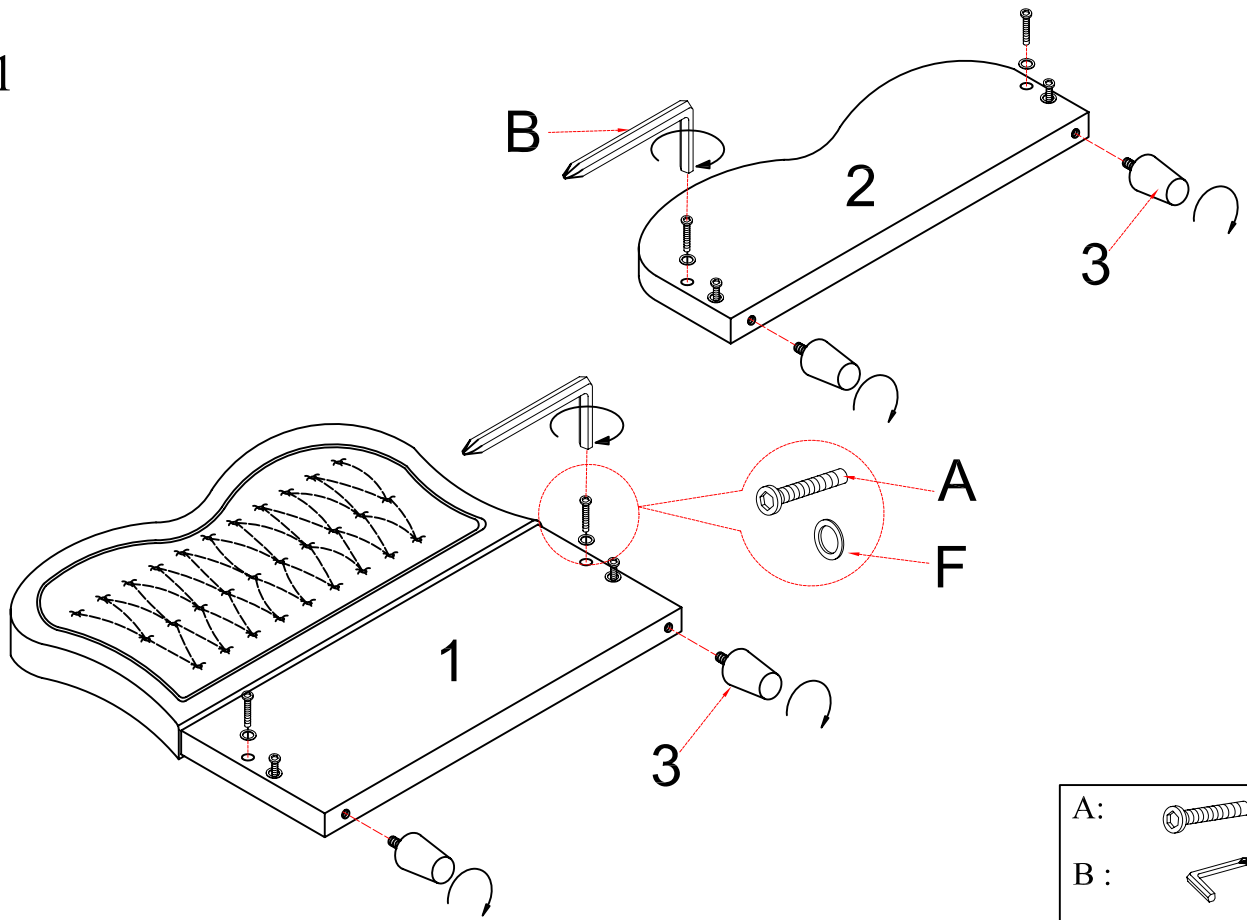
Part List

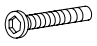
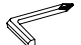

1 Quantity of 1  Front Bed Panel	2 Quantity of 1  Long Panel -Right	3 Quantity of 4  Leg
4 Quantity of 1  Bed Left Side Panel	5 Quantity of 1  Bed Right Side Panel	6 Quantity of 2  Metal Rail
7 Quantity of 12  Slat		

Hardware List

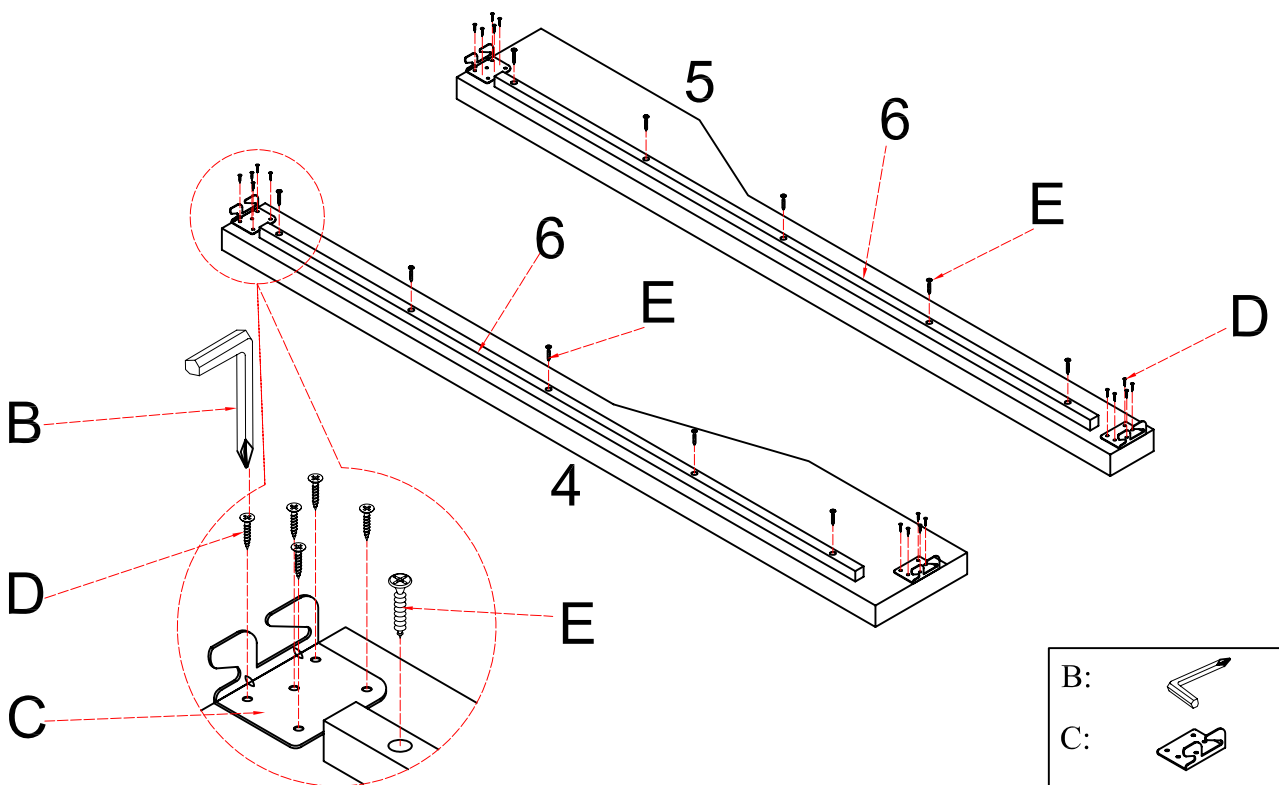
A Quantity of 8  Ø5/16*1-1/2" Allen Bolt	B Quantity of 1  M5*65mm Allen Wrench	C Quantity of 4  Connect Plate	D Quantity of 20  Ø4*25MM Screw
E Quantity of 10  Ø5/32"*2-1/2" Long Screw	F Quantity of 8  Ø19MM Flat Washer	G Quantity of 24  Plastic Cup	





Step 1



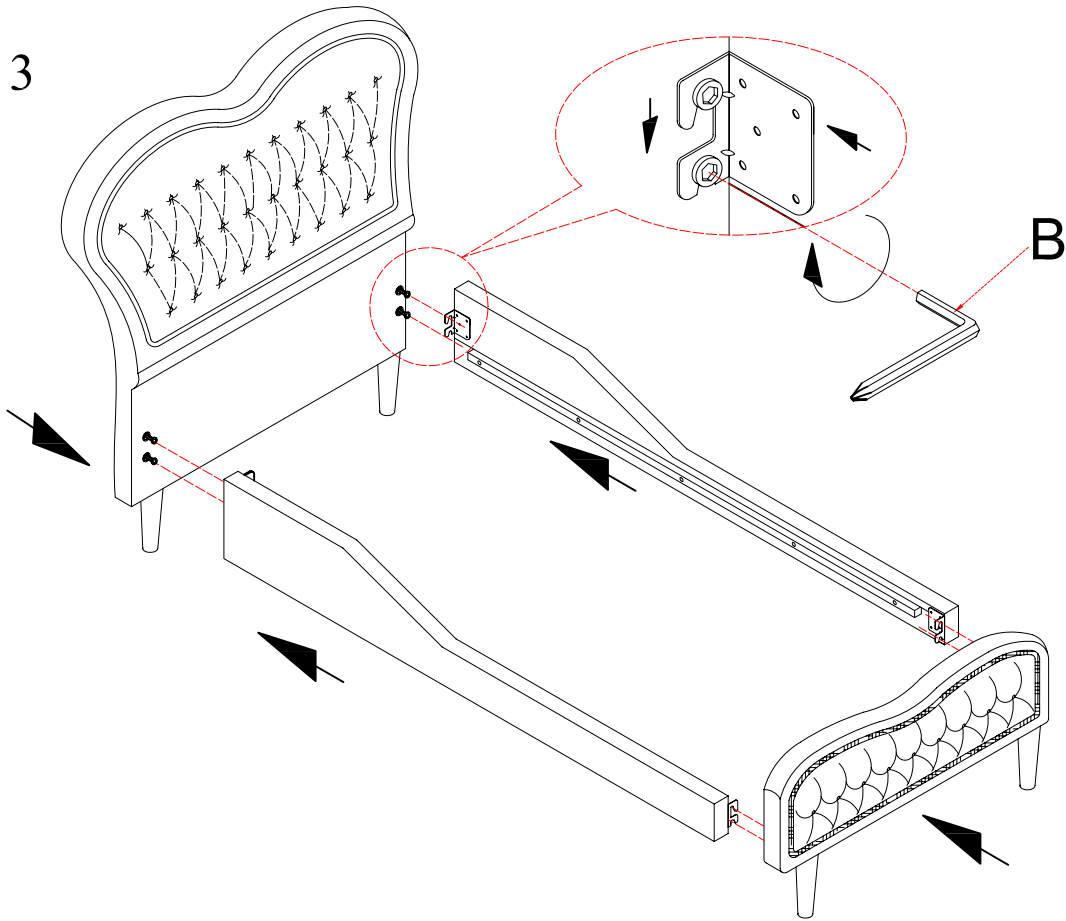
A:		8pcs
B:		1pc
F:		8pcs

Step 2



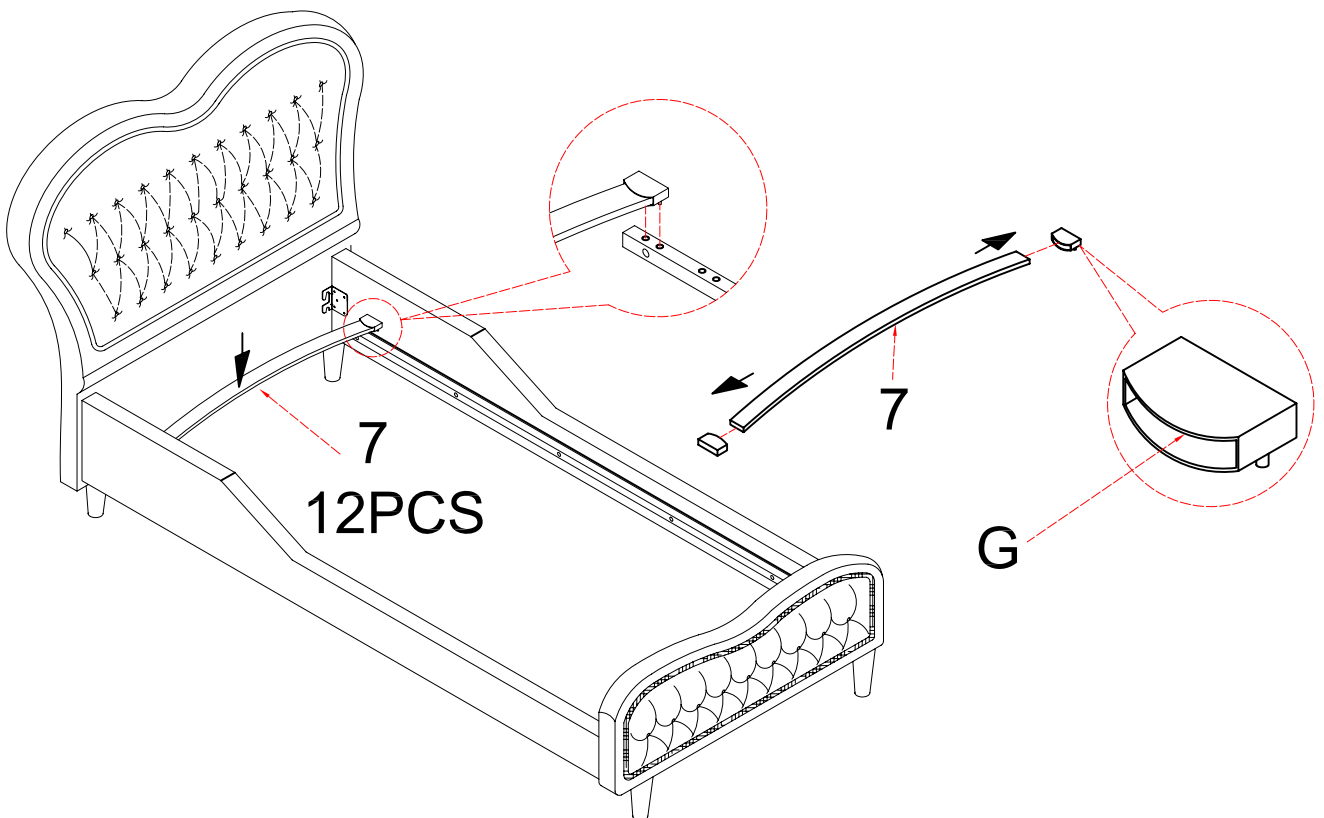
B:		1pc
C:		4pcs
D:		20pcs
E:		10pcs

Step 3



B:  1pc

Step 4



G:  24pcs

Step 5

