


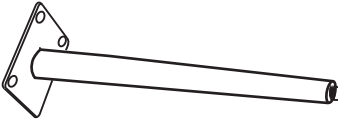
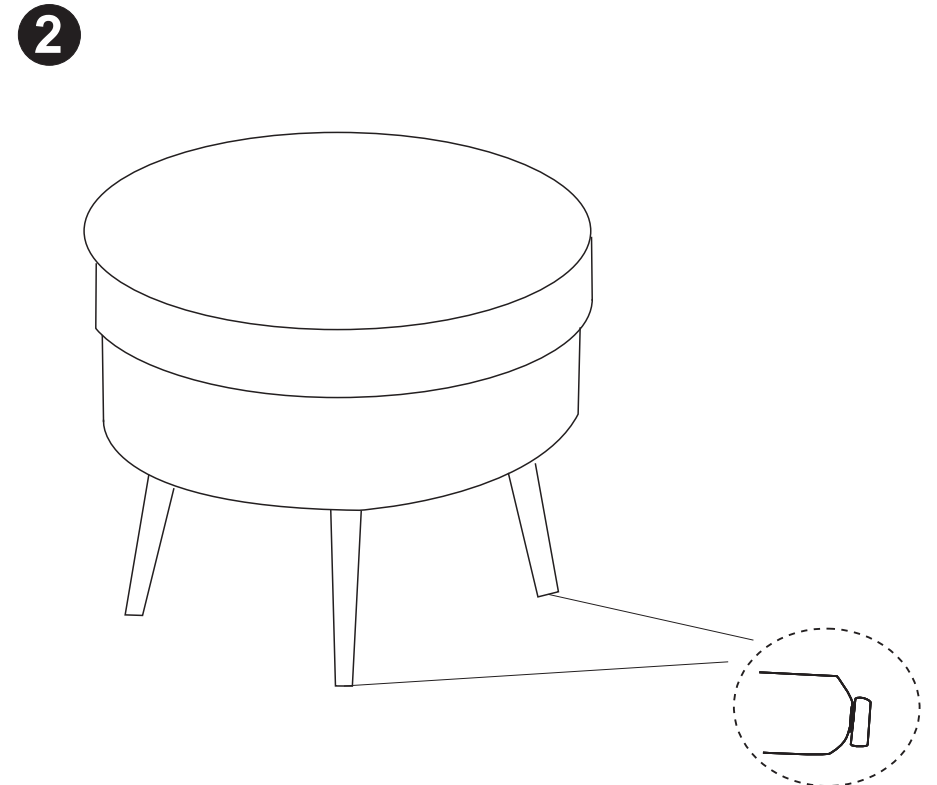
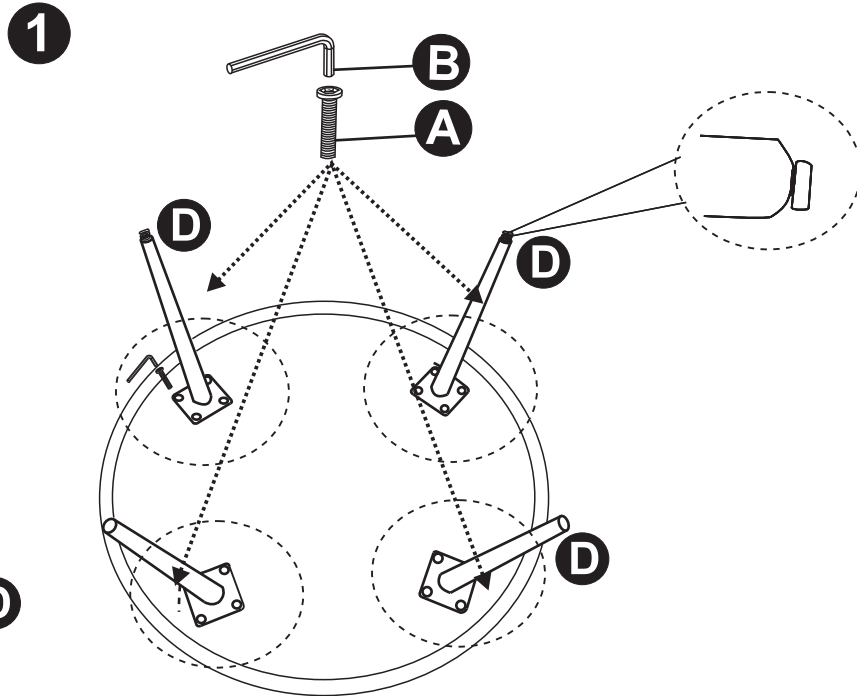


ASSEMBLY INSTRUCTION

A		M6x20mm	X16pcs
B		5mm	X1pc
C			X1pc

D		X4PCS



Pls do NOT over-tighten all screws before adjusting balance of the whole chair

Tight all the screws to 100%