
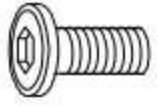
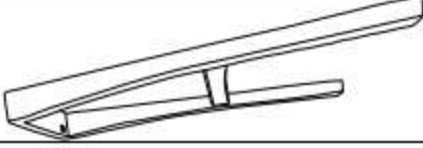
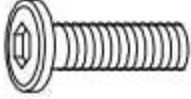
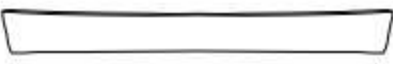
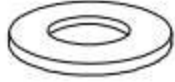




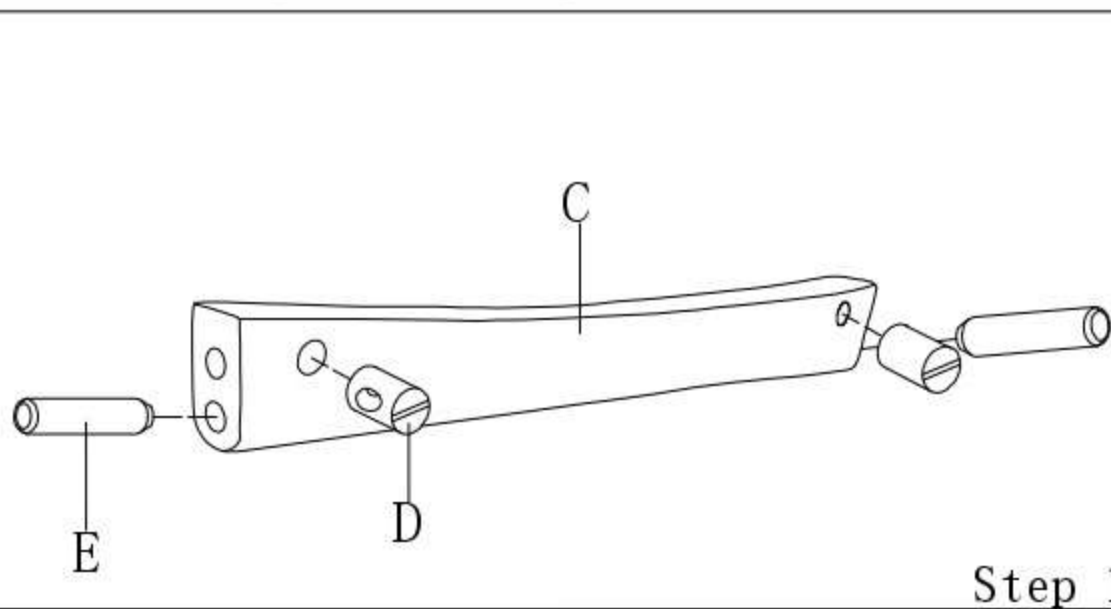


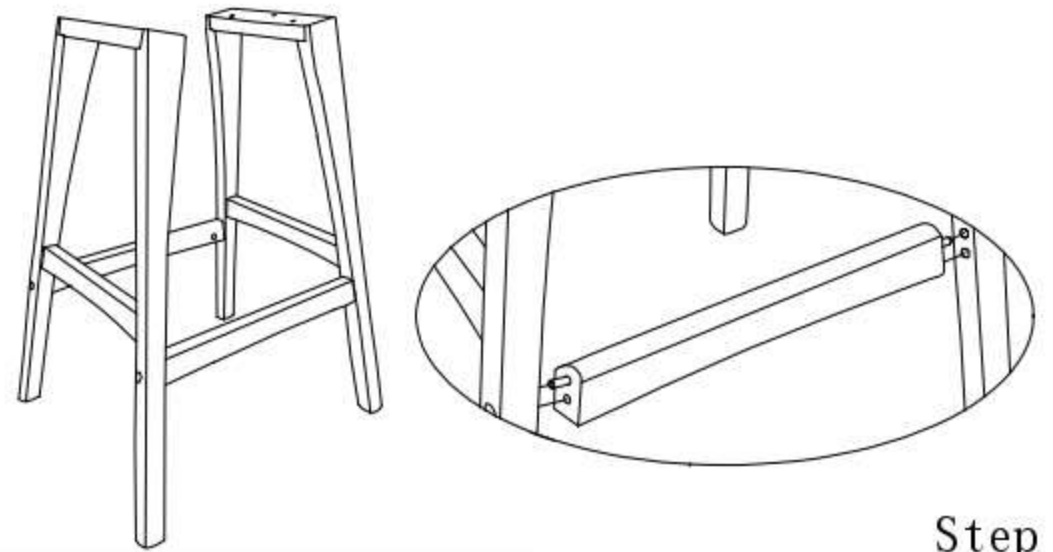
ASSEMBLY INSTRUCTION

ITEM NO.:FT-BSWO-AM552P

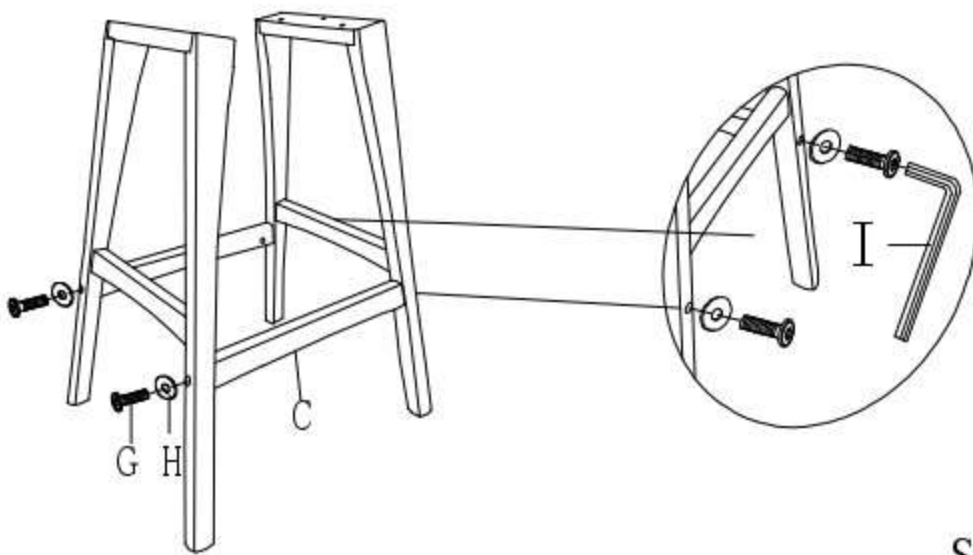
NAME	QTY	PART	NAME	QTY	PART
A	1		F	6	
B	2		G	4	
C	2		H	10	
D	4		I	1	
E	4		J	4	



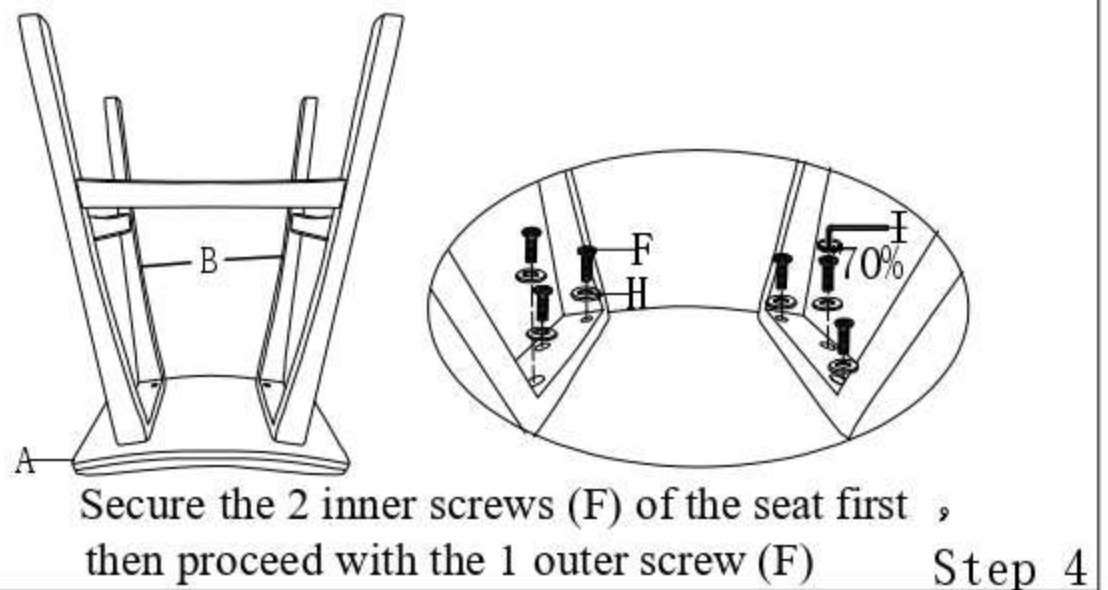
Step 1



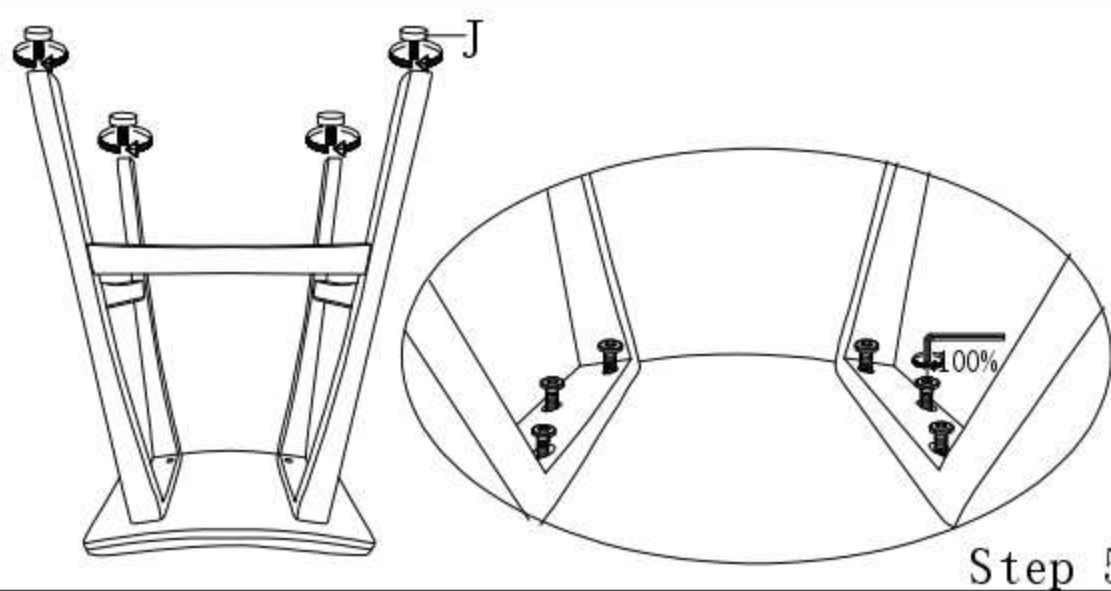
Step 2



Step 3



Step 4



Step 5



Step 6

TIP:

If the stool feels wobbly after assembly:

Make sure the floor is flat.

Loosen all the screws by about 30%.

Place some body weight on the stool, ensuring all legs touch the ground.

Finally, fully tighten all the screws.