

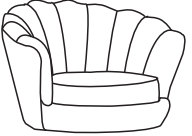

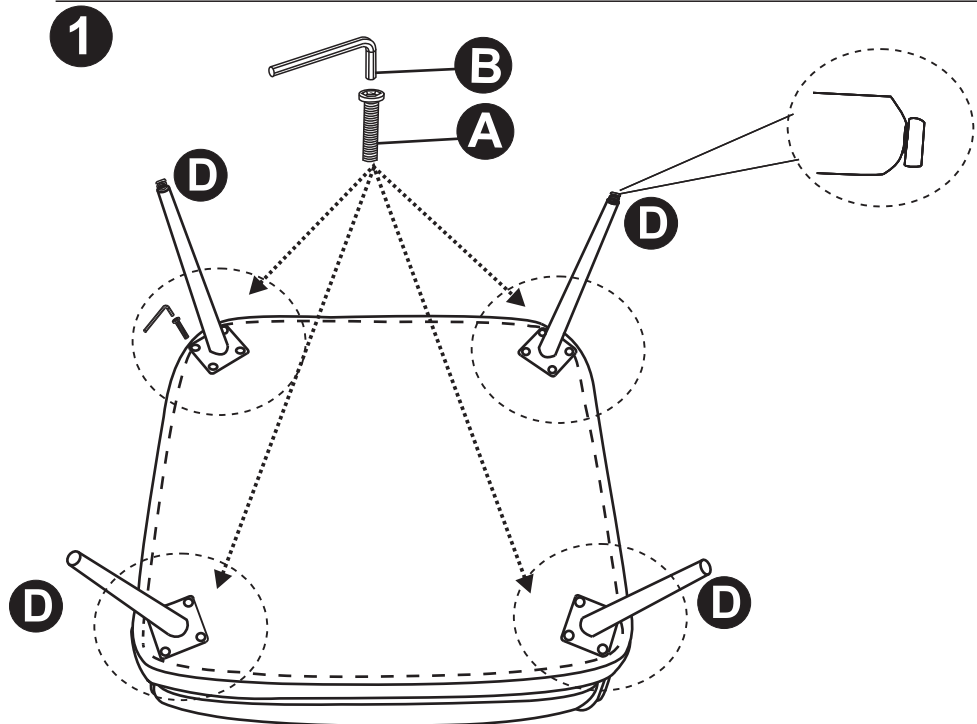


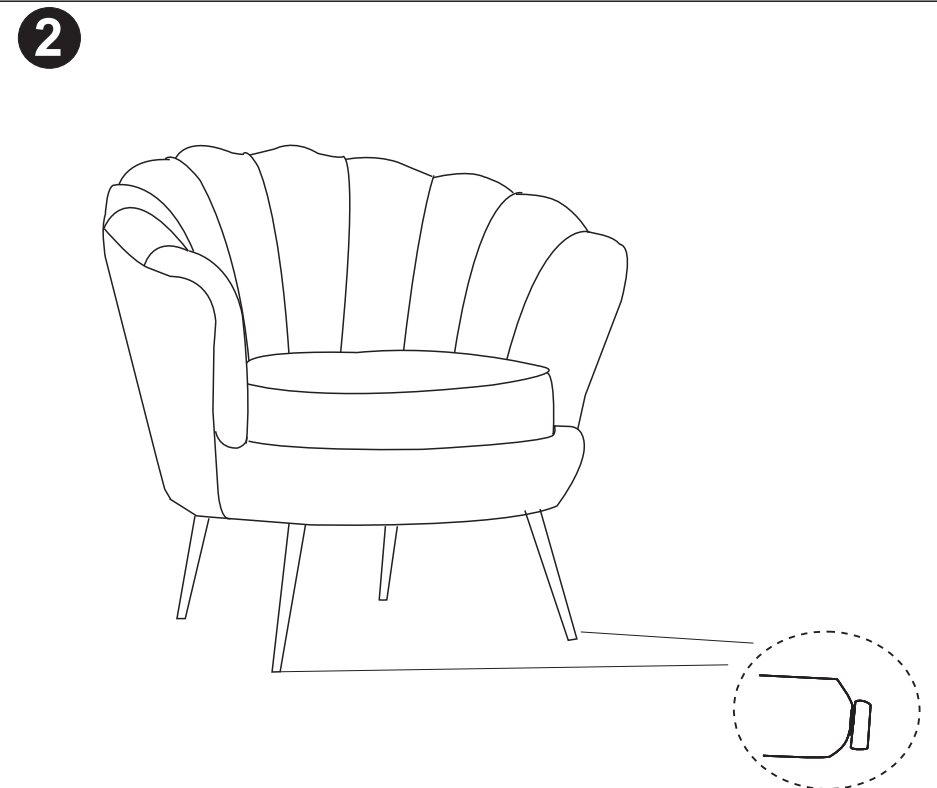
# ASSEMBLY INSTRUCTION

<b>A</b>		M6x20mm	X16pcs
<b>B</b>		5mm	X1pc
<b>C</b>			X1pc

<b>D</b>		X4PCS	



Pls do NOT over-tighten all screws before adjusting balance of the whole chair



Tight all the screws to 100%