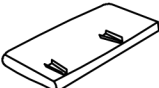






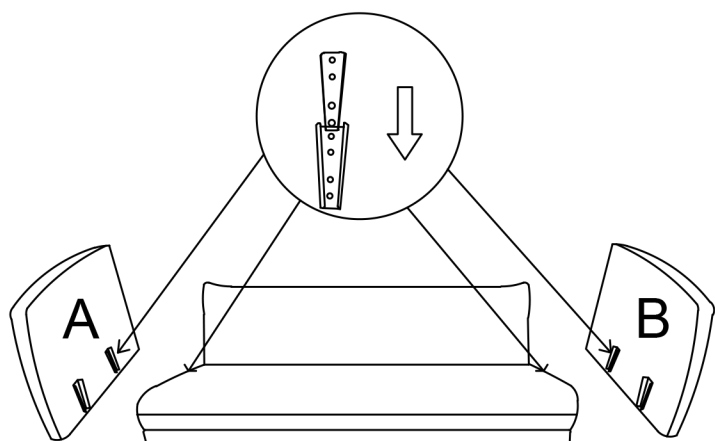


# ASSEMBLY INSTRUCTION

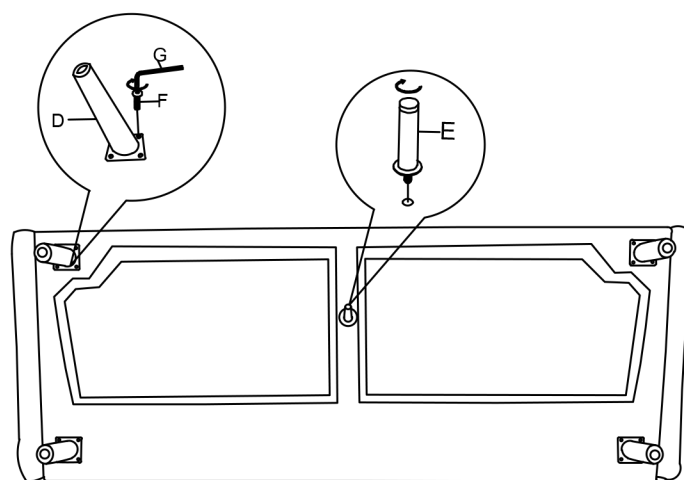
## EMILIA 3 SEATER SOFA BED

A*1		B*1		C*2		D*4		E*1		F*16		G*1	
						φ 60*200MM		φ 38*190MM		φ 6*30MM		φ 6	

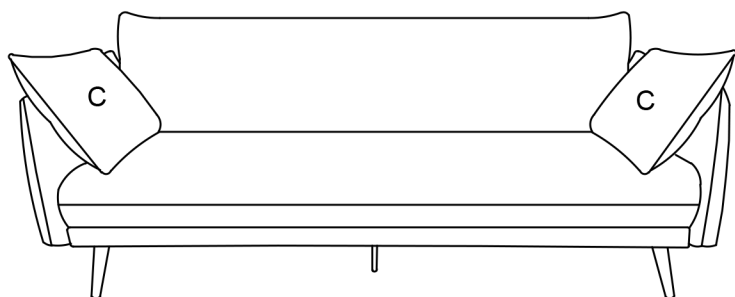
### STEP 1



### STEP 2



### STEP 3



### STEP 4

