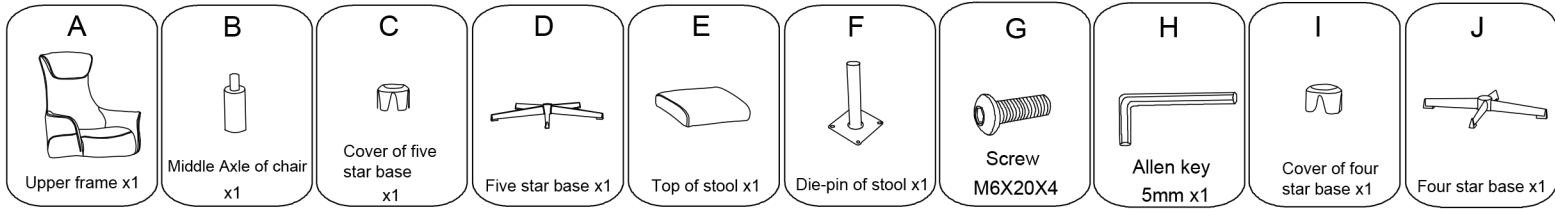
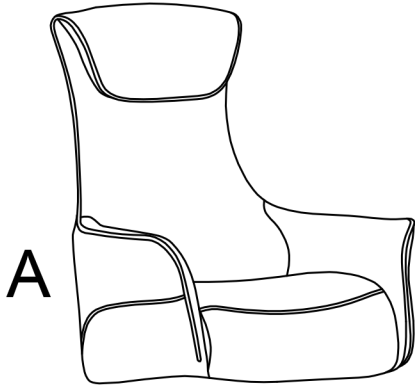


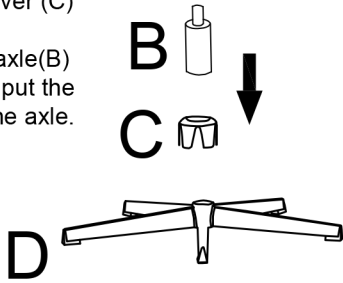
Assembly Instruction



Step 1

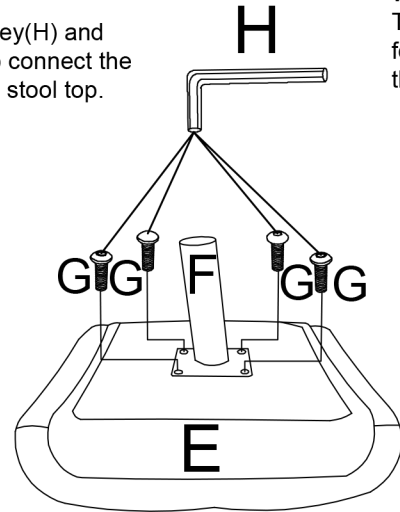


First, put the base cover (C) on the star base (D), then put the middle axle (B) on the base (D), then put the upper frame (A) on the axle.



Step 2

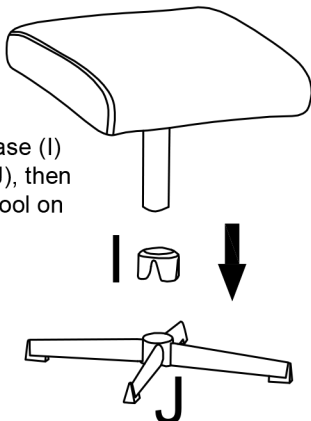
Use Allen key (H) and screw (G) to connect the Die-pin and stool top.



Warning:
Turn 80% of the four screws first, then 100% tight

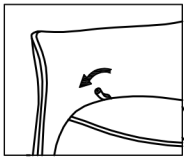
Step 3

Put the cover of base (I) on the star base (J), then put the upper of stool on the star base (J)

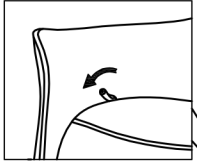
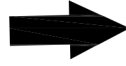
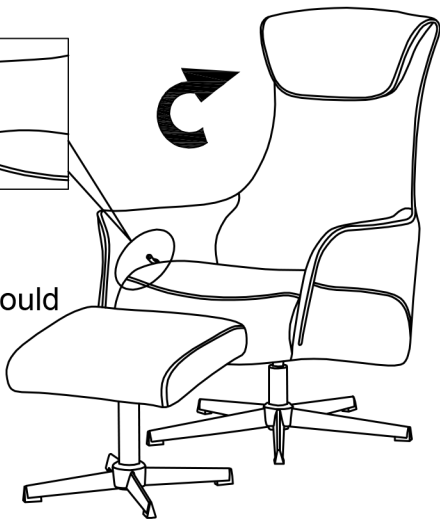


4

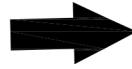
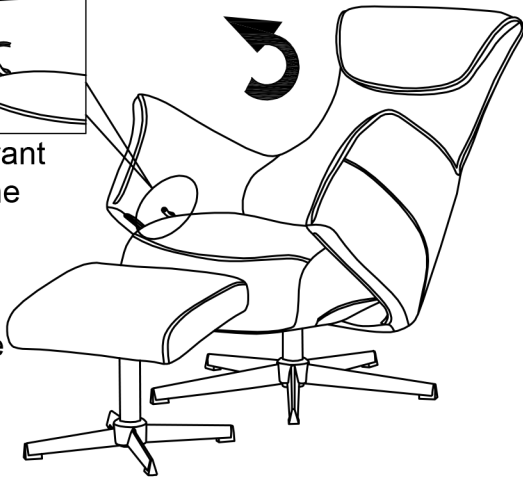




Push the black handle forward, the chair back could lie down



When you want to recover the backrest, just push forward the black handle again



The weight limit is around 120kgs, please kindly note.
Be care: please don't let baby to crawl under the chair, and climb up the backrest.