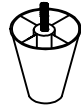
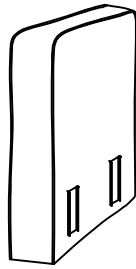


ASSEMBLY INSTRUCTION

Junny Sofa Bed (JY253)



A*4

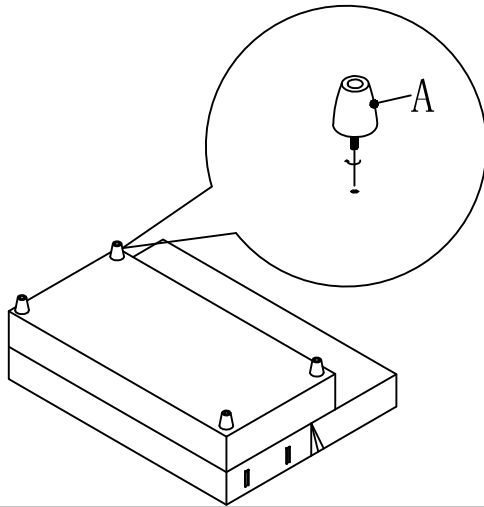


B*2

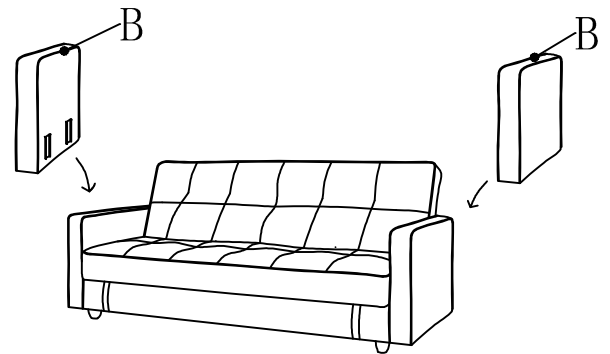


C*2

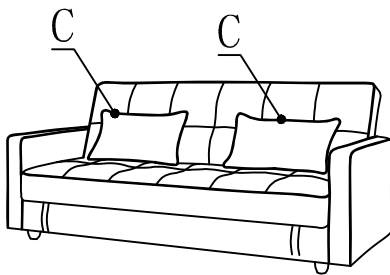
1



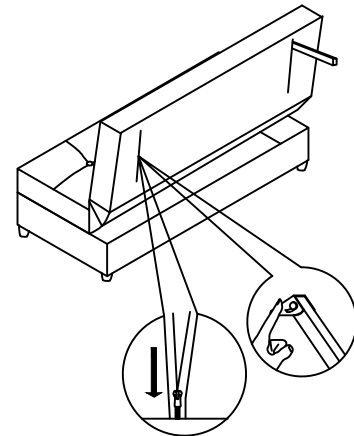
2



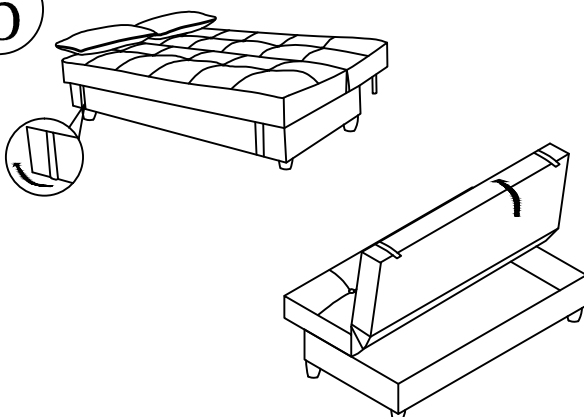
3



4



5



6

