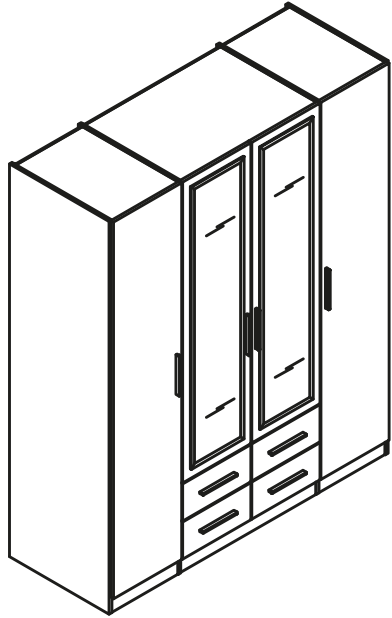
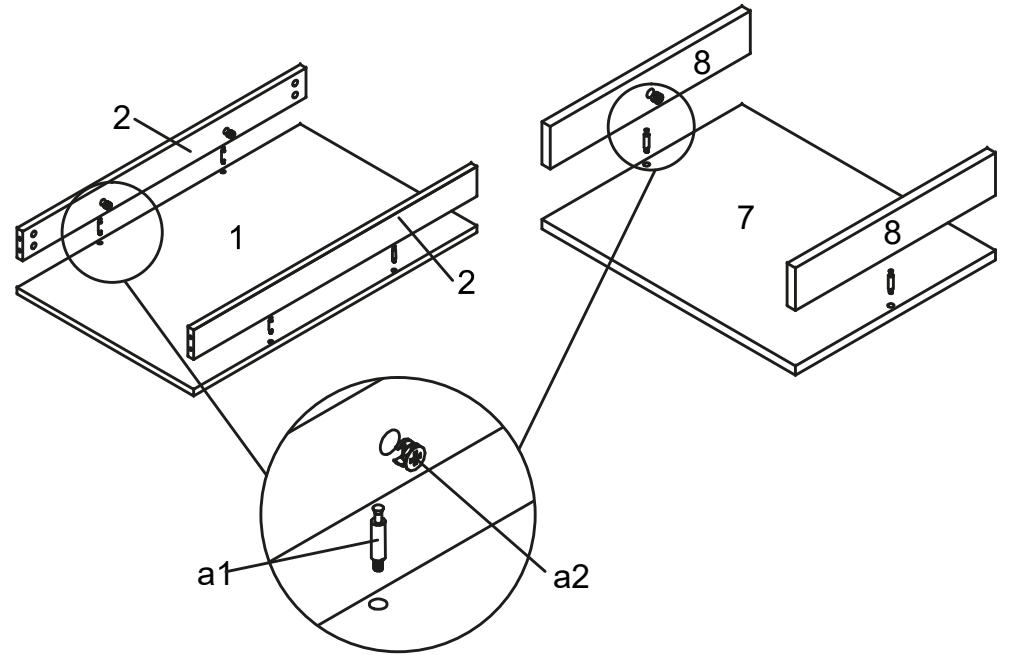


A3008 4-D WARDROBE

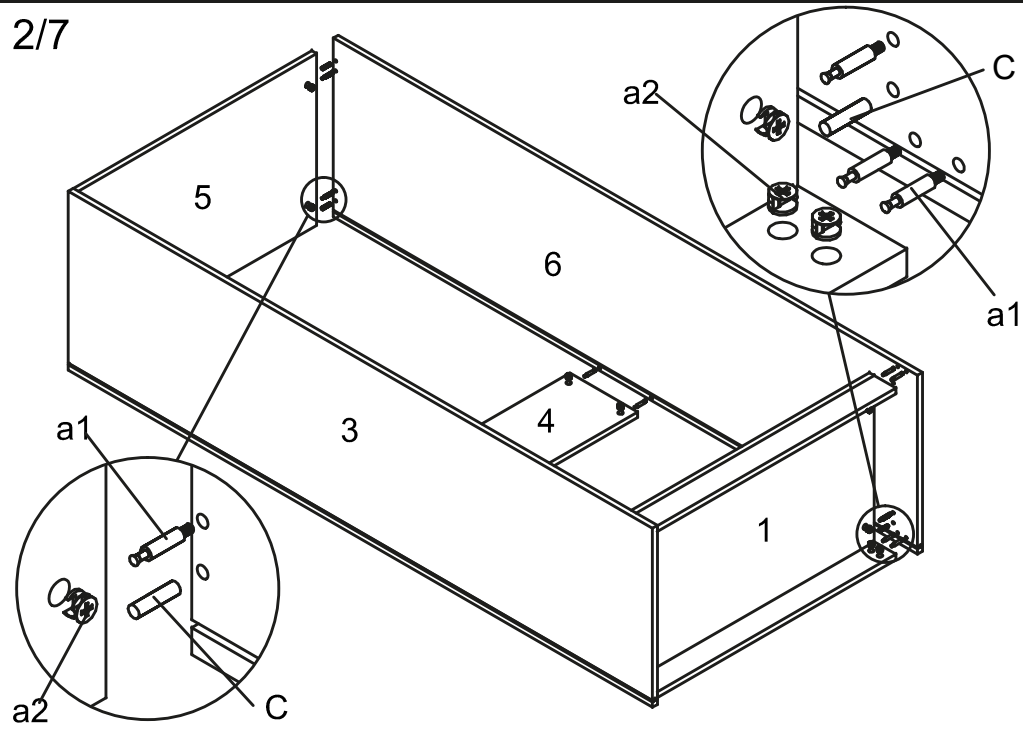


A φ15mm a2 a1 88PCS	B M6*25 2PCS	C φ8*30 28PCS
D 24SET	E 14PCS	F φ3.5*20 24SET
G G1 G2 1SET	H 80PCS	I φ4*16 84PCS
J φ3.5*14 32PCS	K φ3.5*35 16PCS	L M4*20 16PCS
M 400mm 4PCS	N 8PCS	

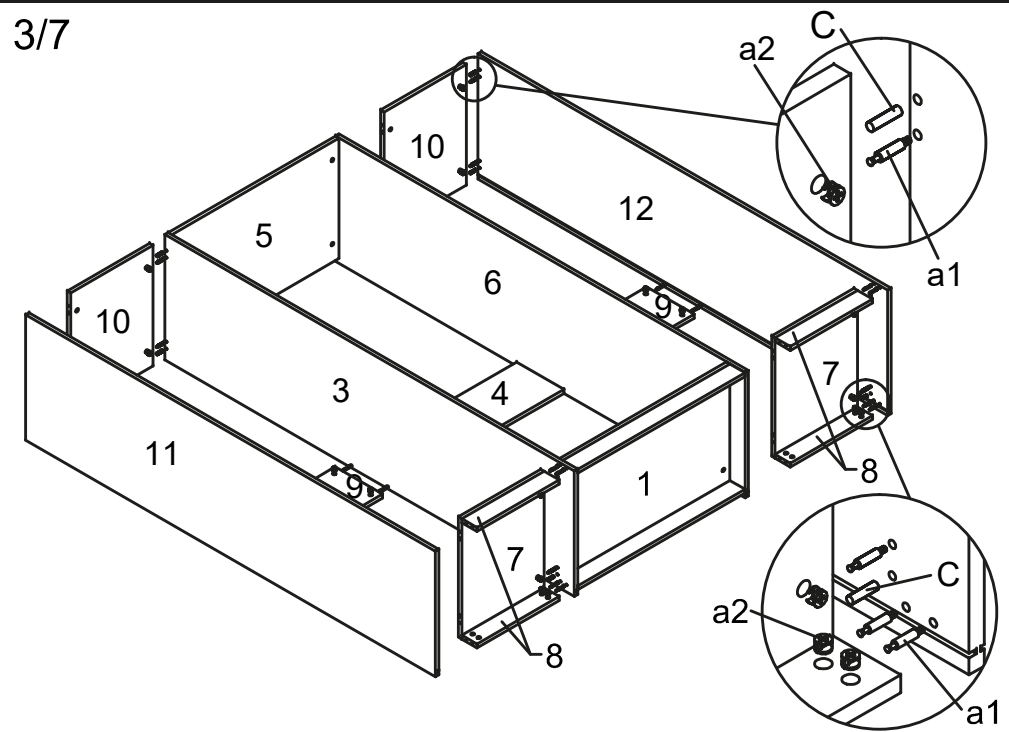
1/7



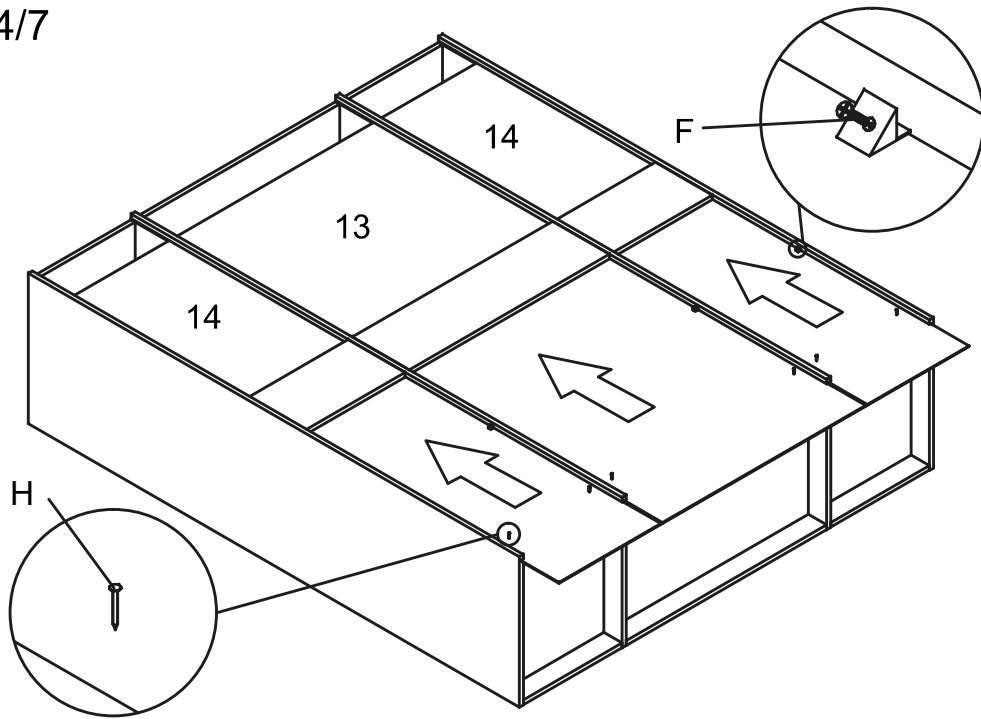
2/7



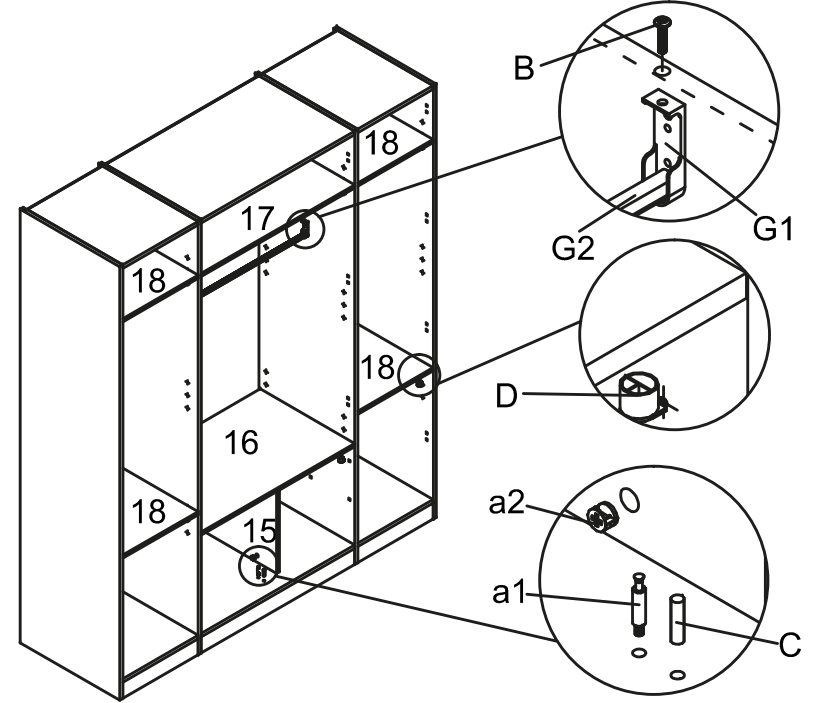
3/7



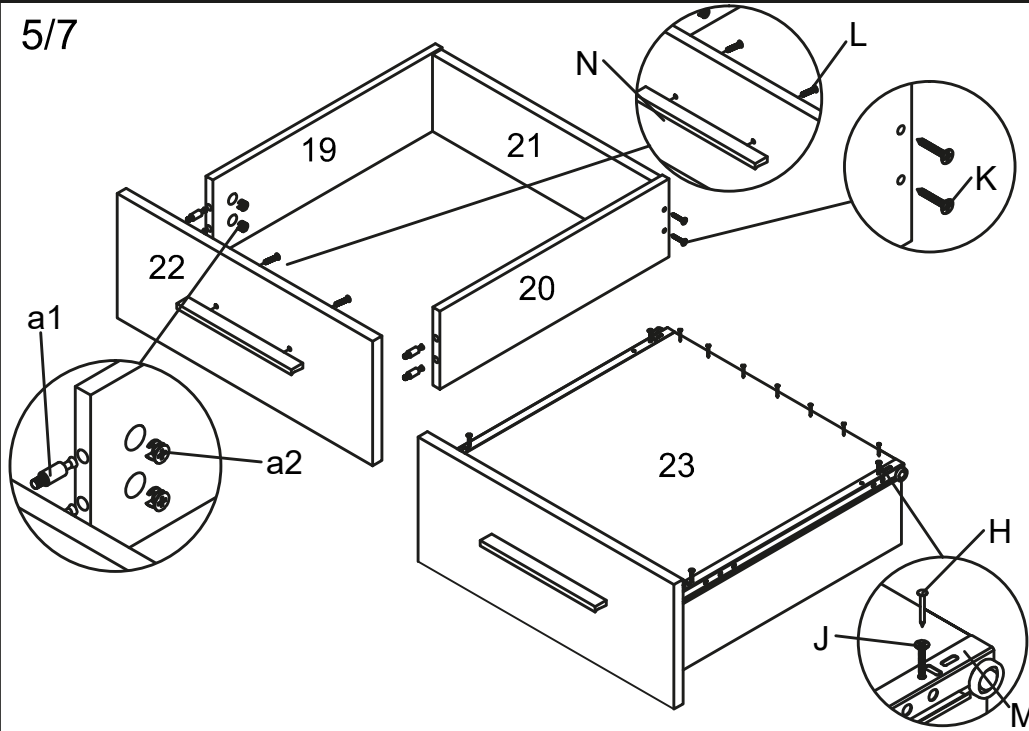
4/7



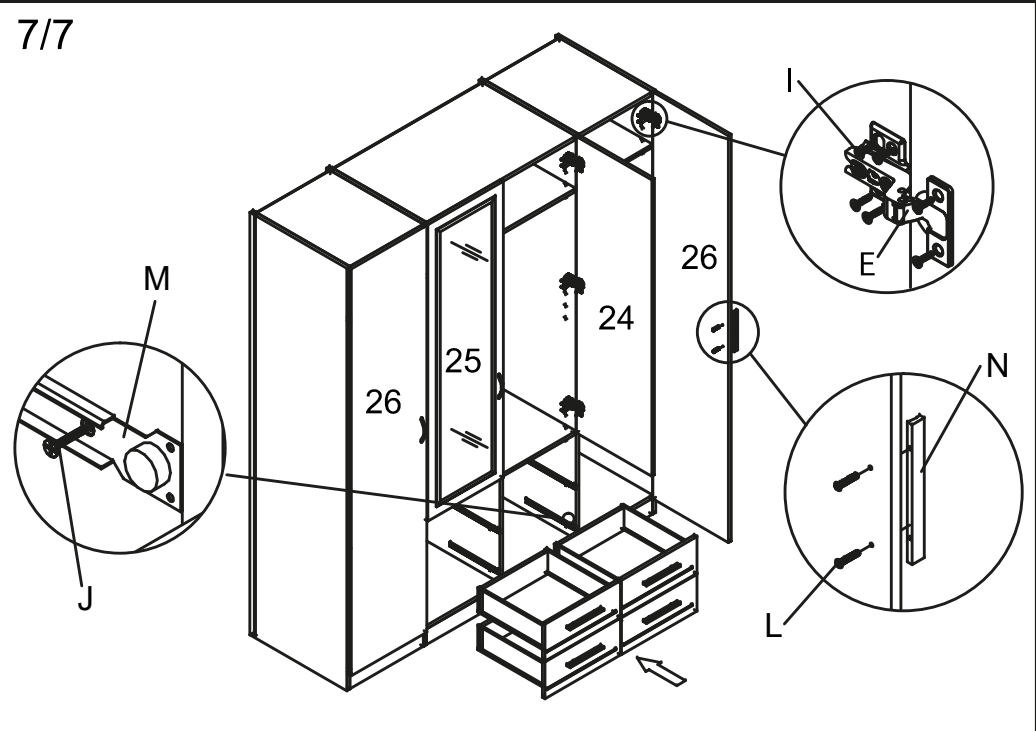
5/7



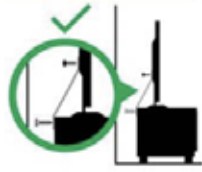
5/7



7/7



 **WARNING**

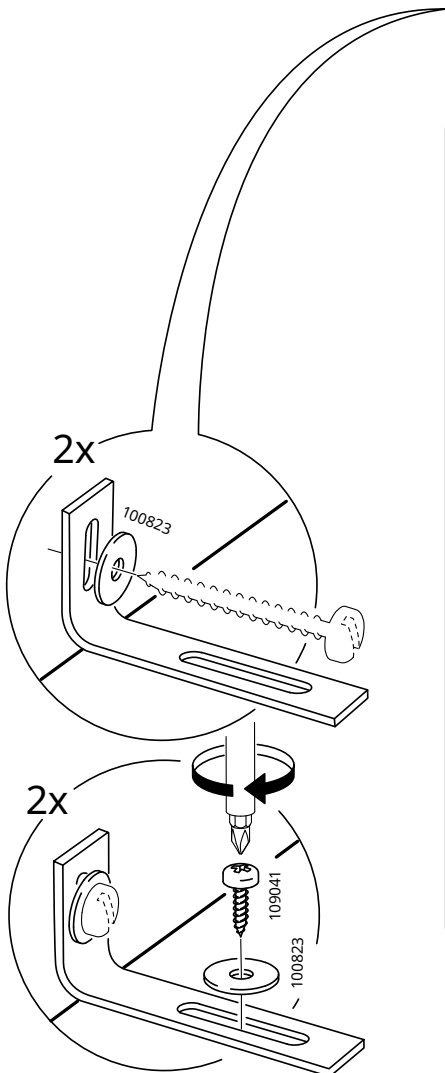
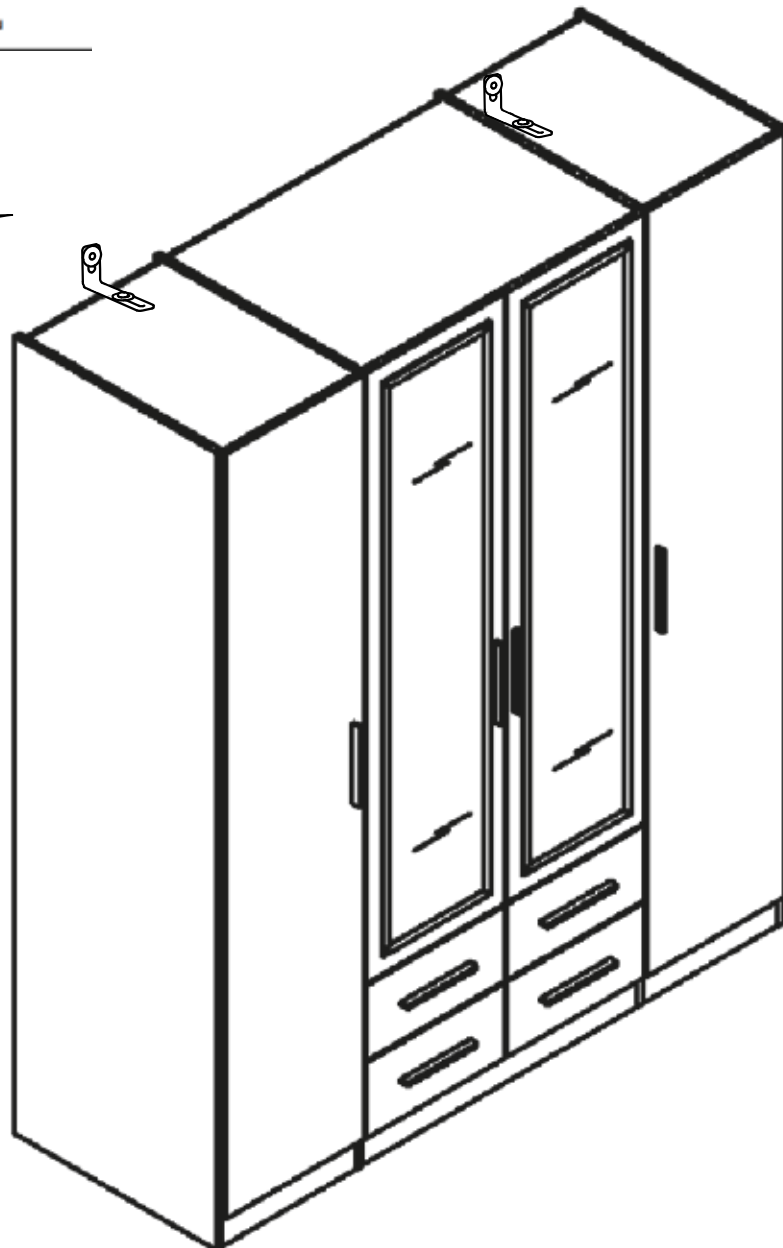


Children have died from furniture tipover.

***NEVER** allow children to stand, climb or hang on drawers, doors, or shelves.

***ALWAYS** secure television with an anchor device or mount the television on a wall.

For more information visit
<https://www.productsafety.gov.au>

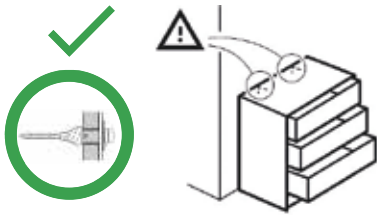




WARNING

Serious or fatal crushing injuries can occur from furniture tipover.

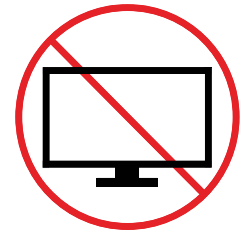
To help prevent tipover:



Install tipover restraint or anchor device to secure safety



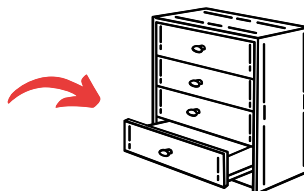
Never allow children to climb or hang on drawers, doors, or shelves.



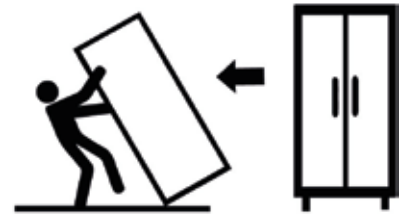
Unless specifically designed to accommodate, do not set TVs or other heavy objects on top of this product.



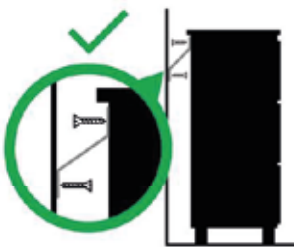
Do not open more than one drawer at a time. (OR) Do not defeat or remove the drawer interlock system.



Place heaviest items in the lower drawers.



Always secure this furniture with an anchor device.



Children have died from furniture tipover.

- ALWAYS secure this furniture with an anchor device.
- NEVER allow children to stand, climb or hang on drawers, doors, or shelves.
- NEVER open more than one drawer at a time.
- Place heavy items down low.



NEVER put a TV on this furniture

Use of tip over restraints may only reduce, but not eliminate the risk of tip over.