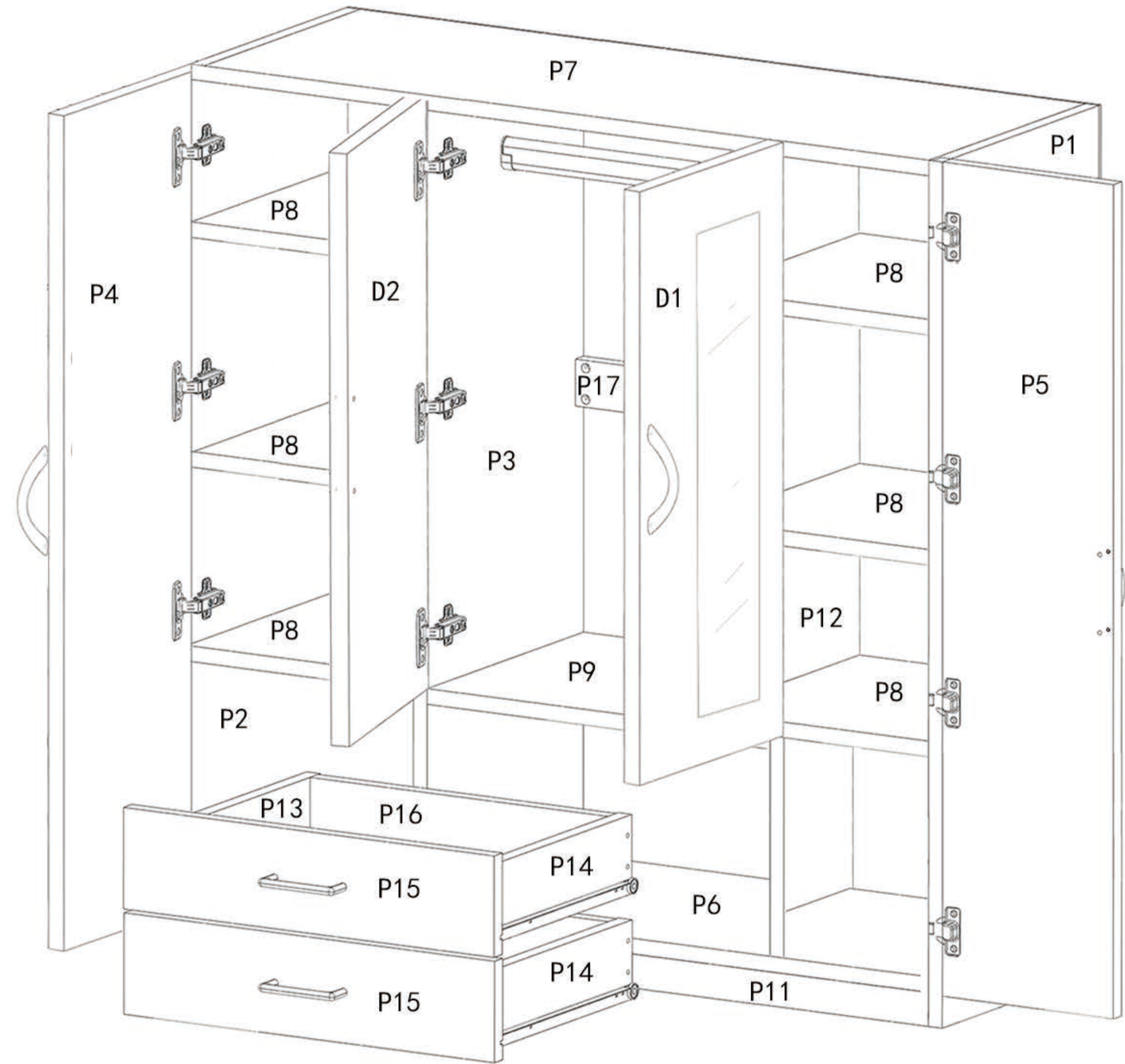
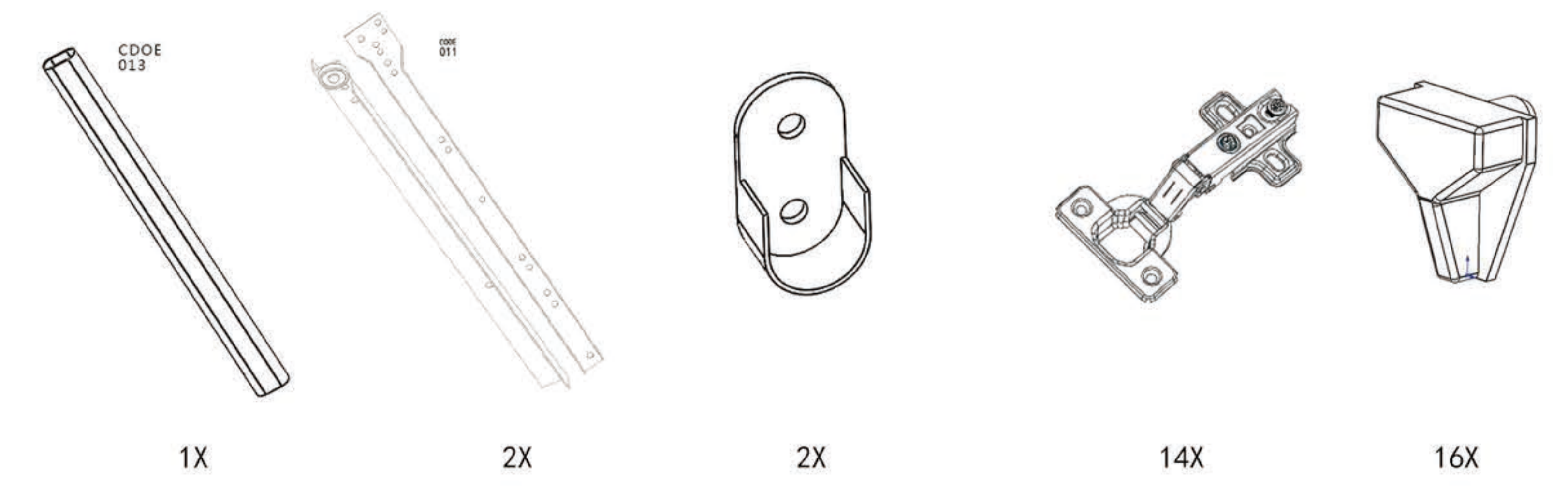
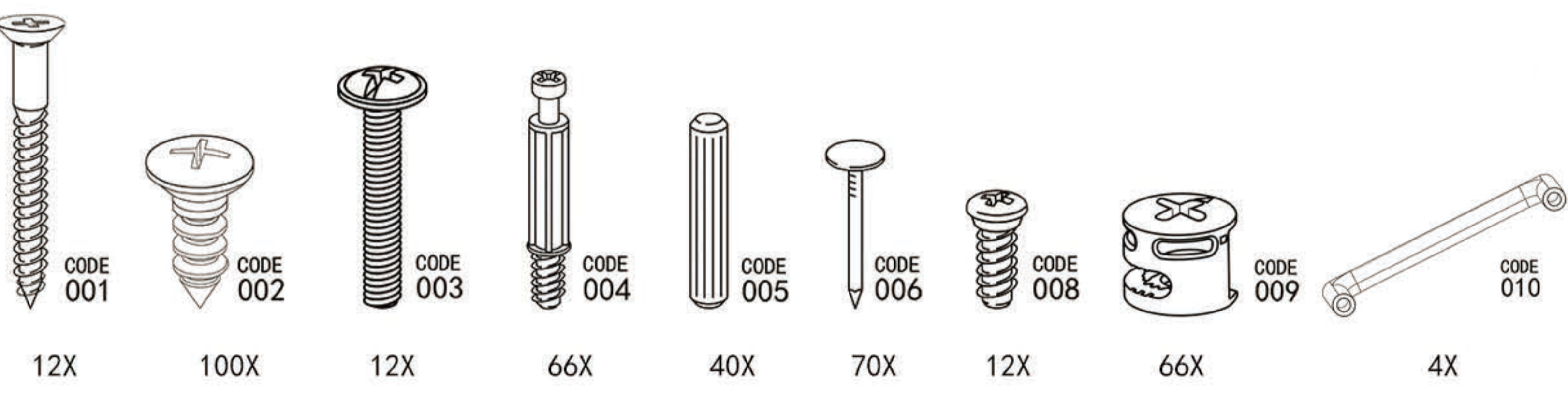
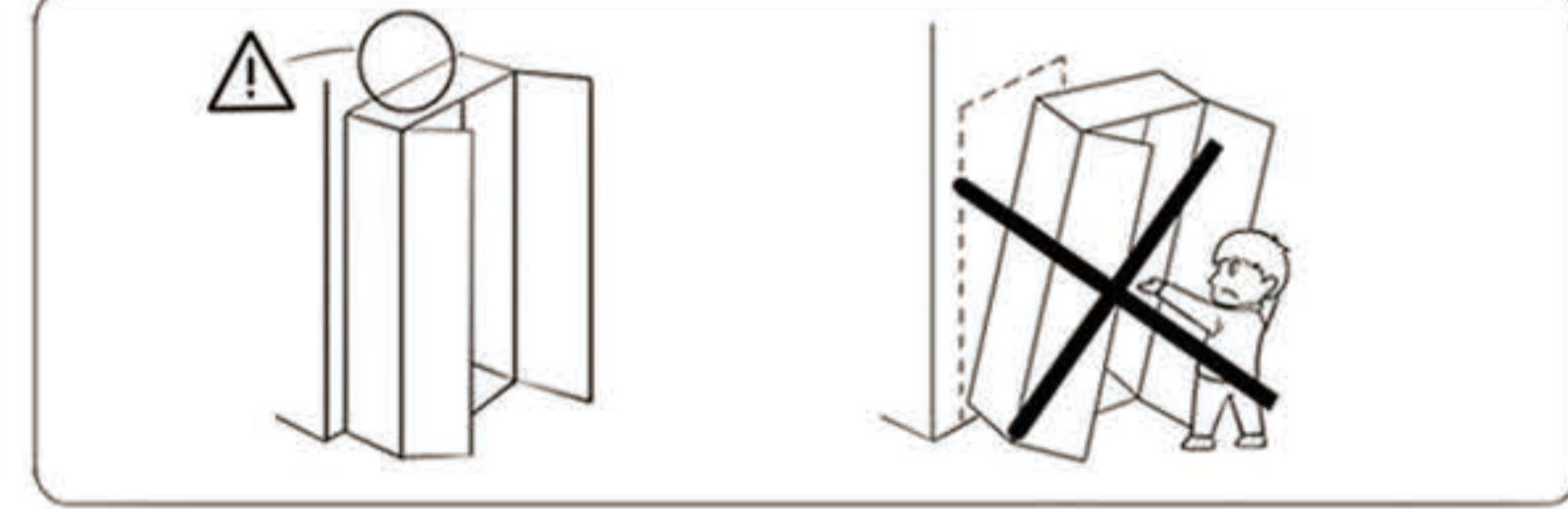
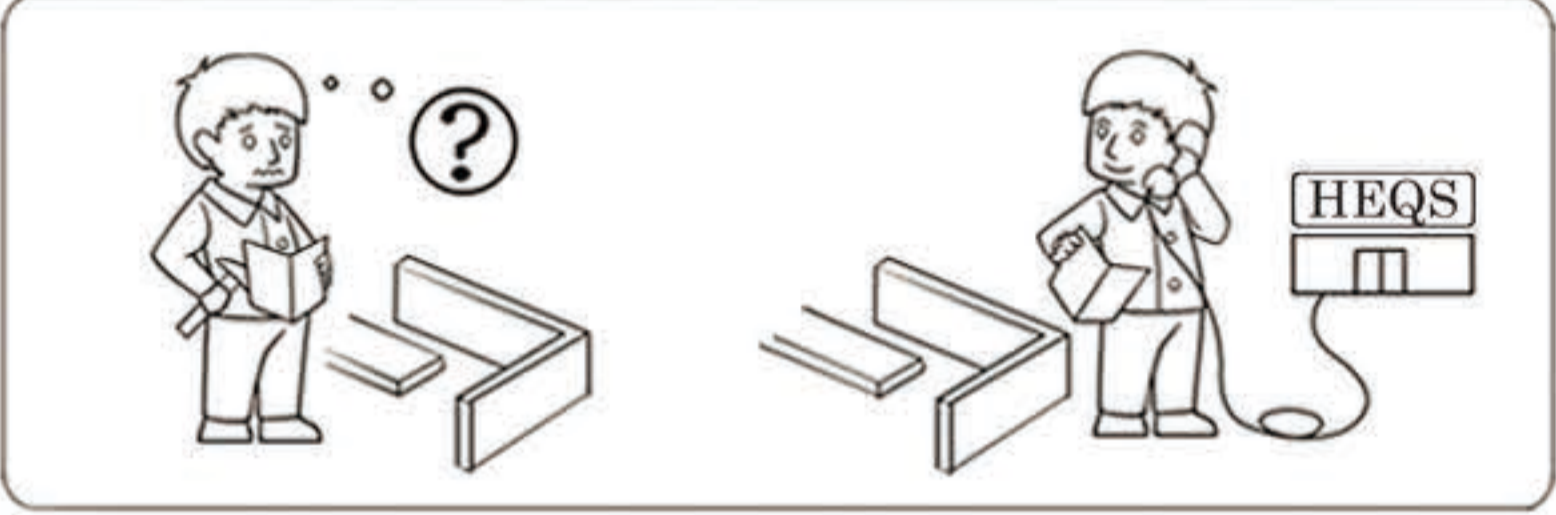
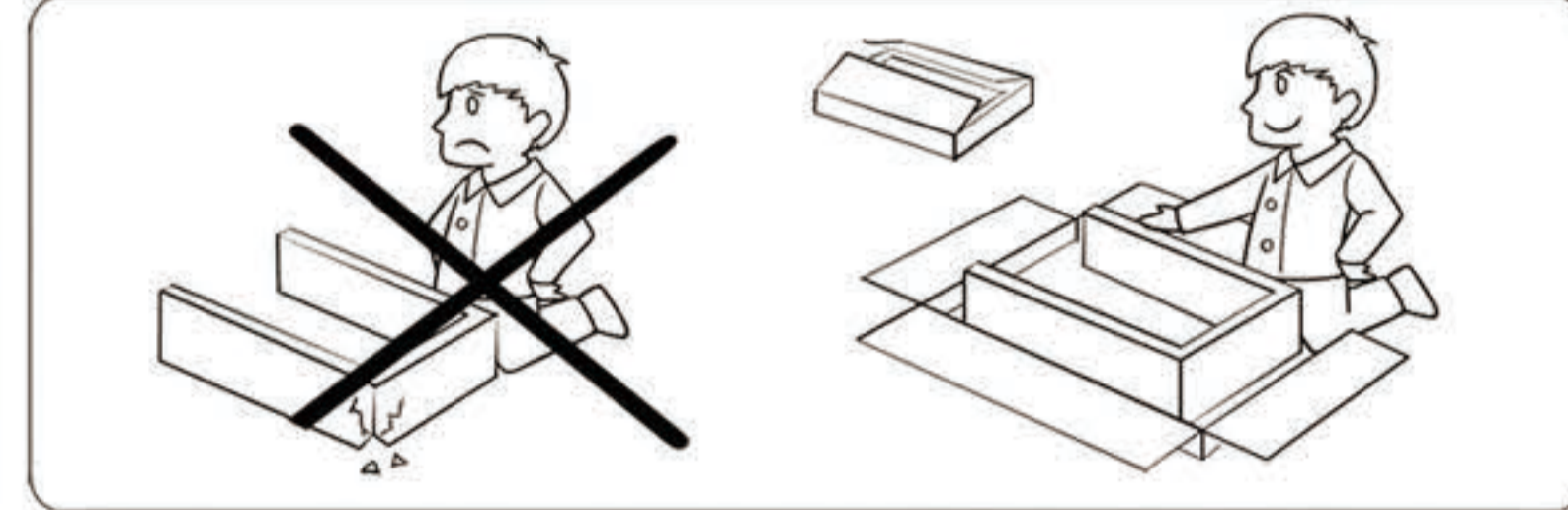
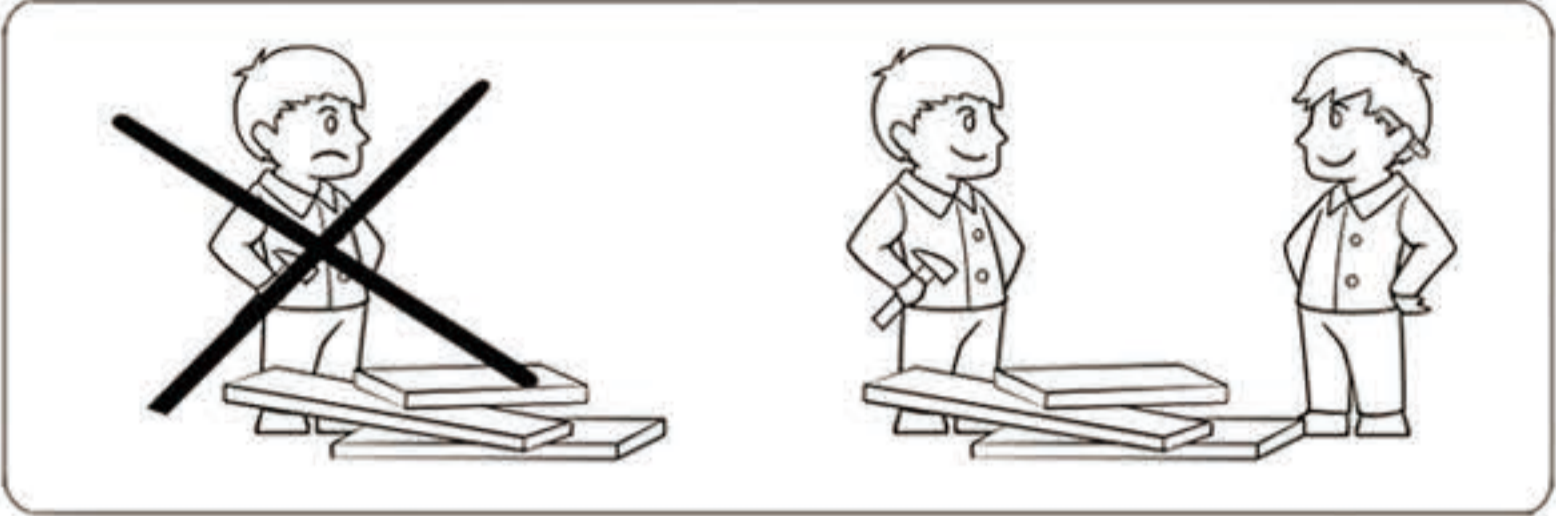
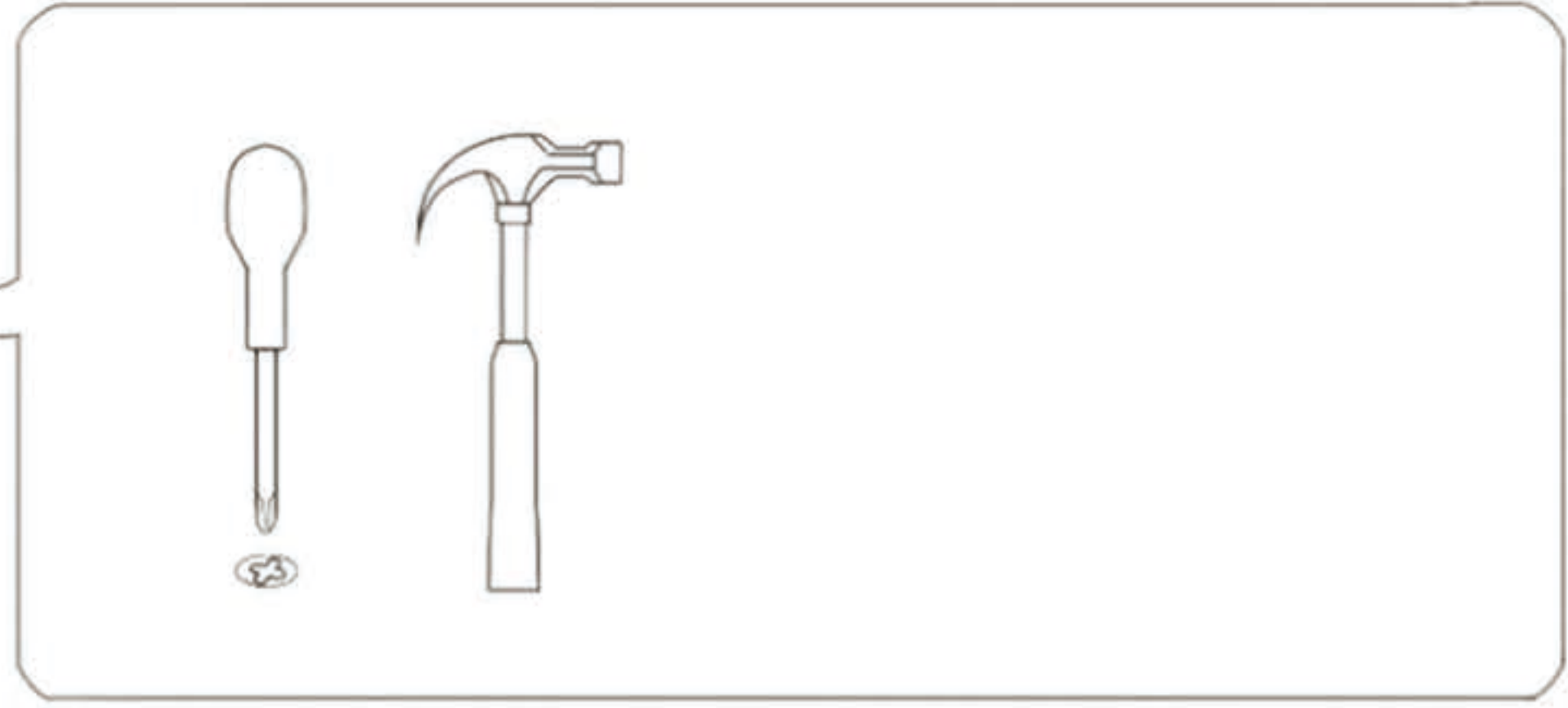


Redfern 4Door

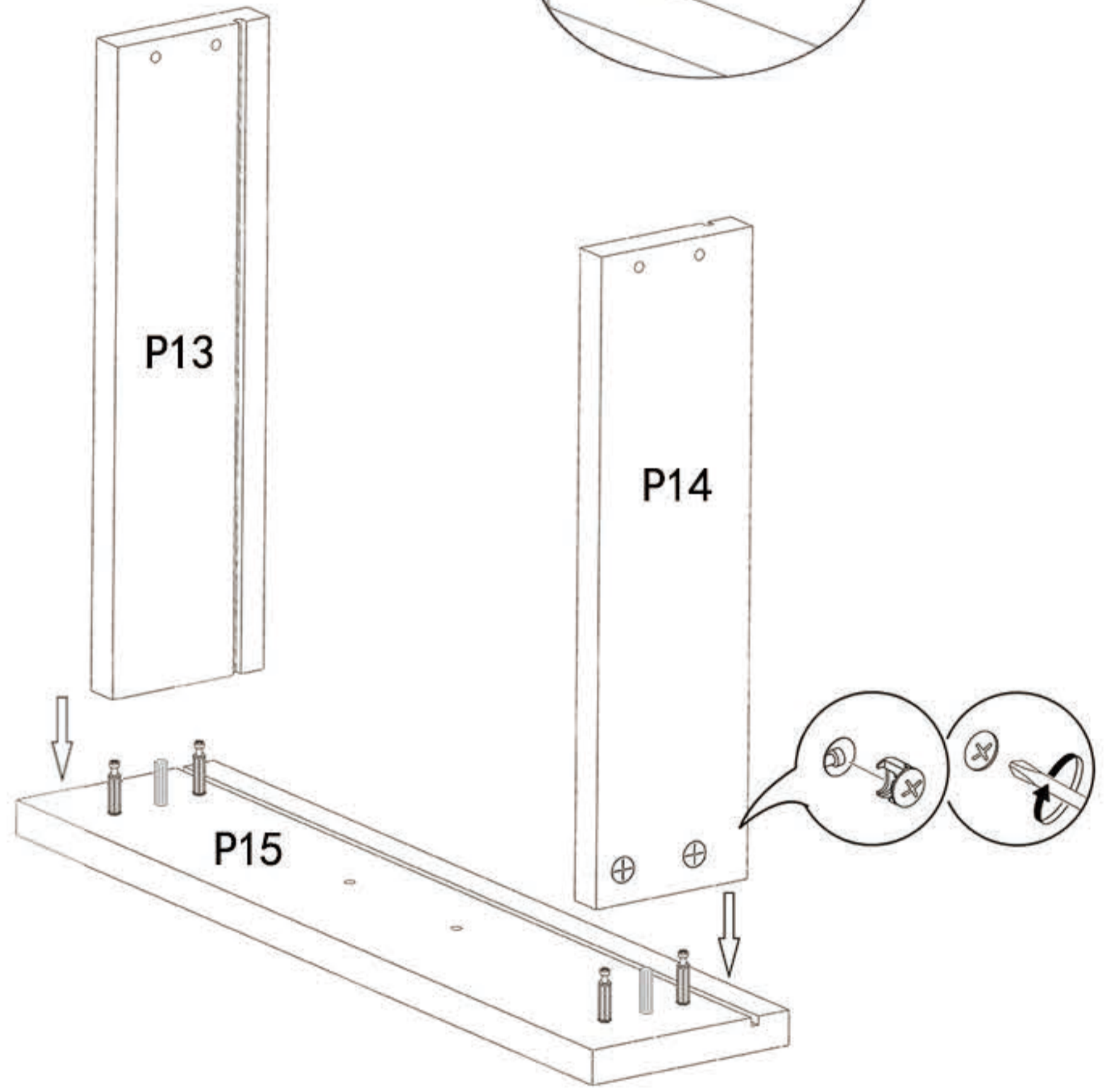
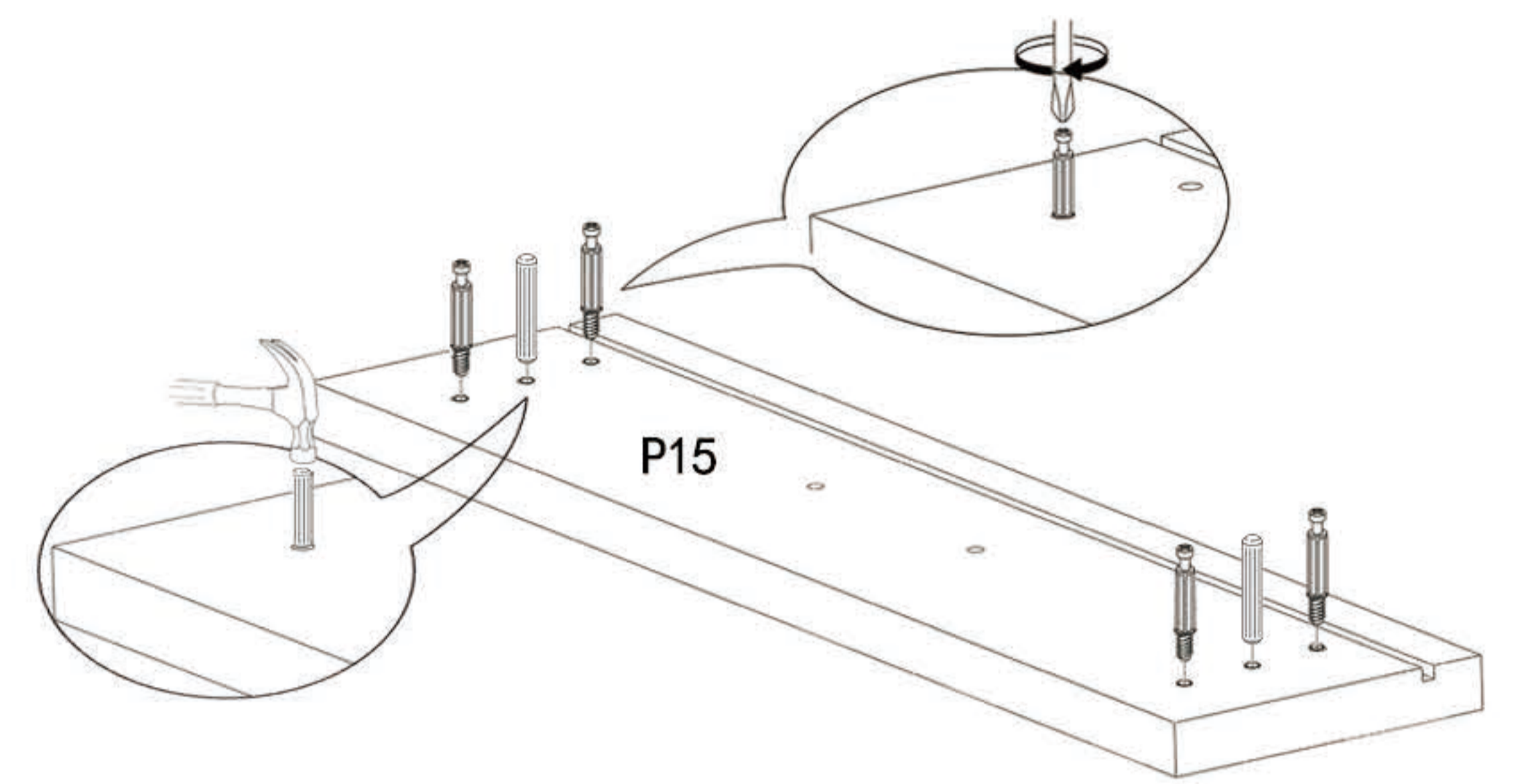
2Drawers Wardrobe



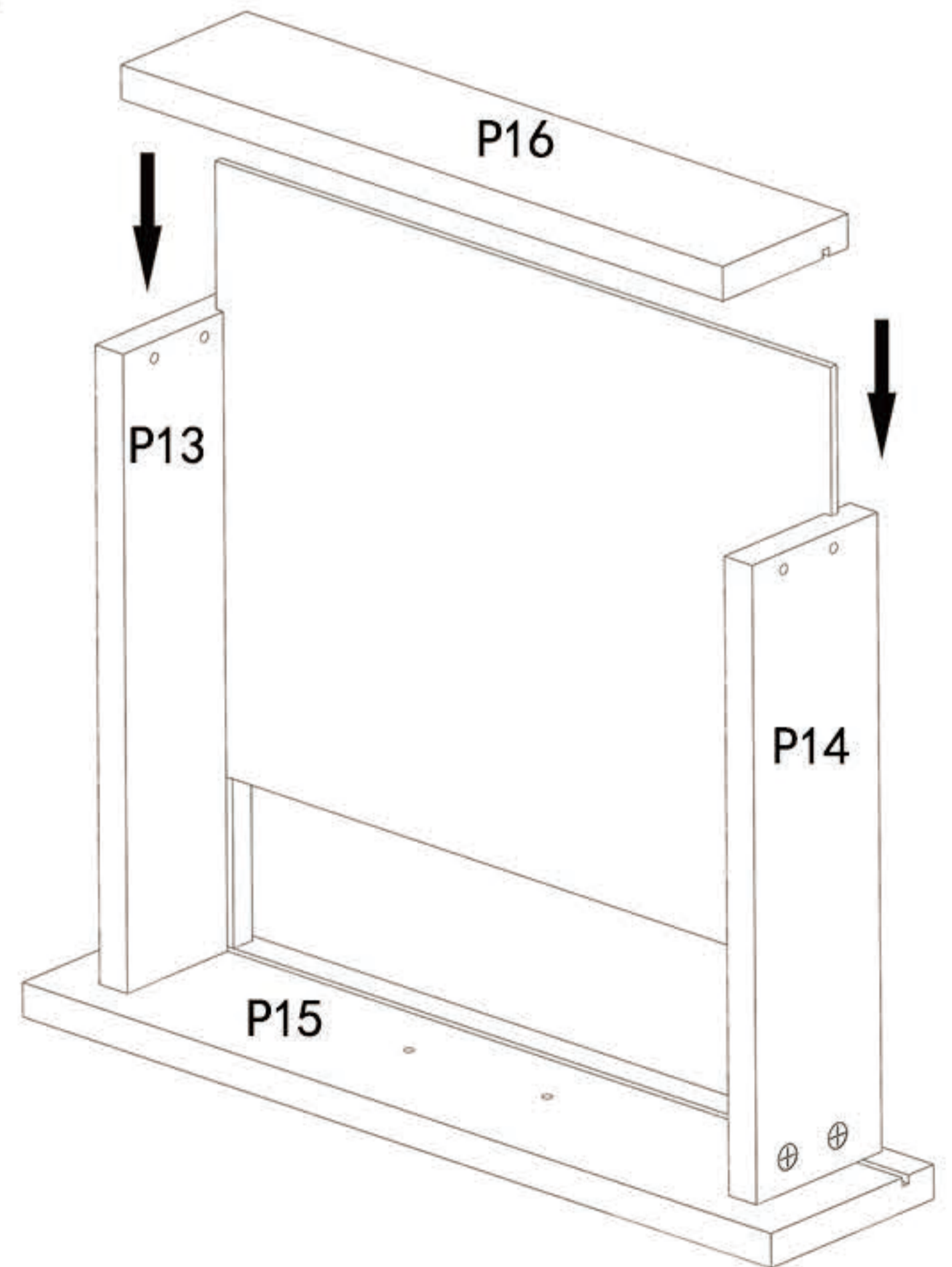
HEQS

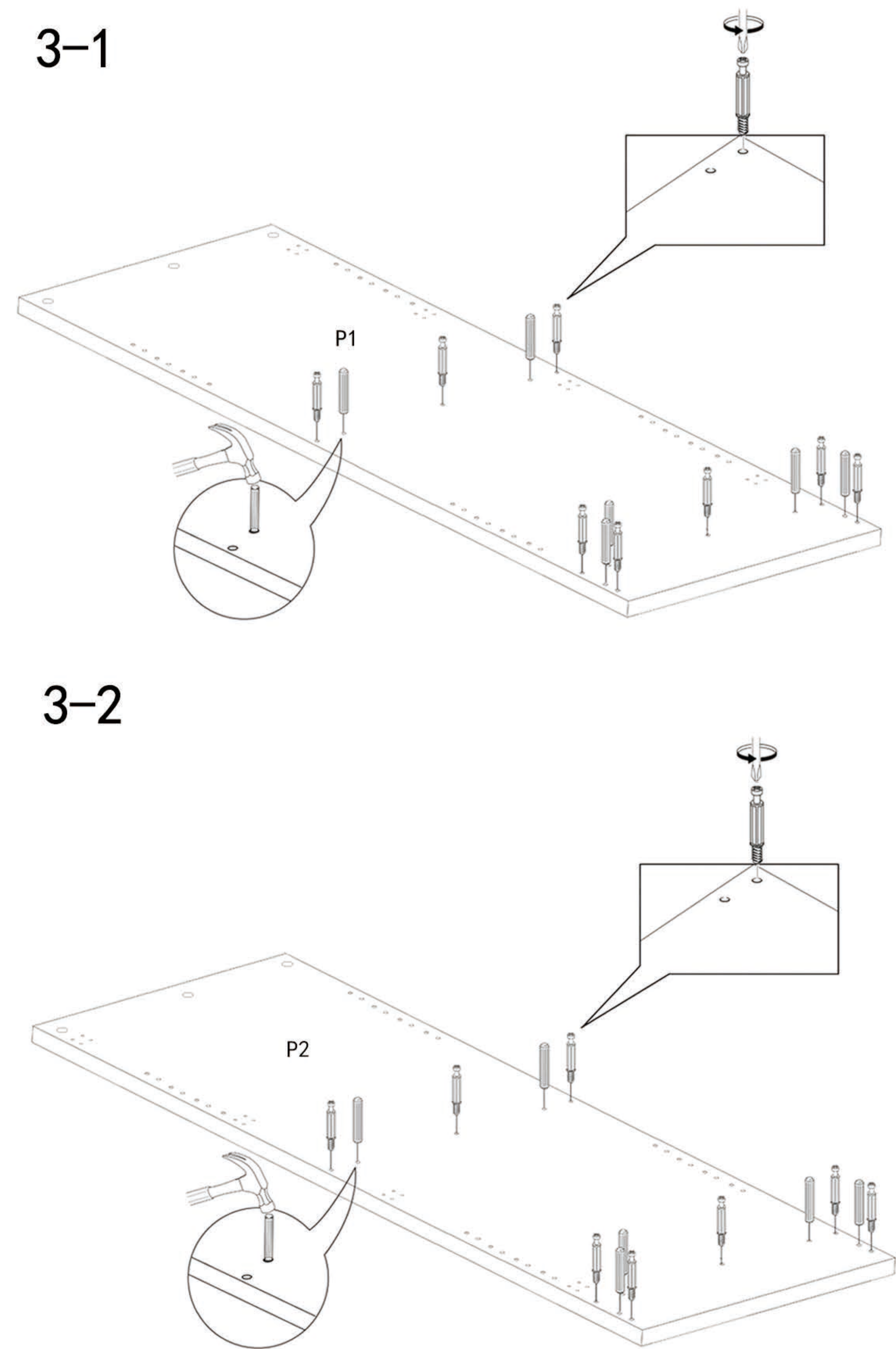
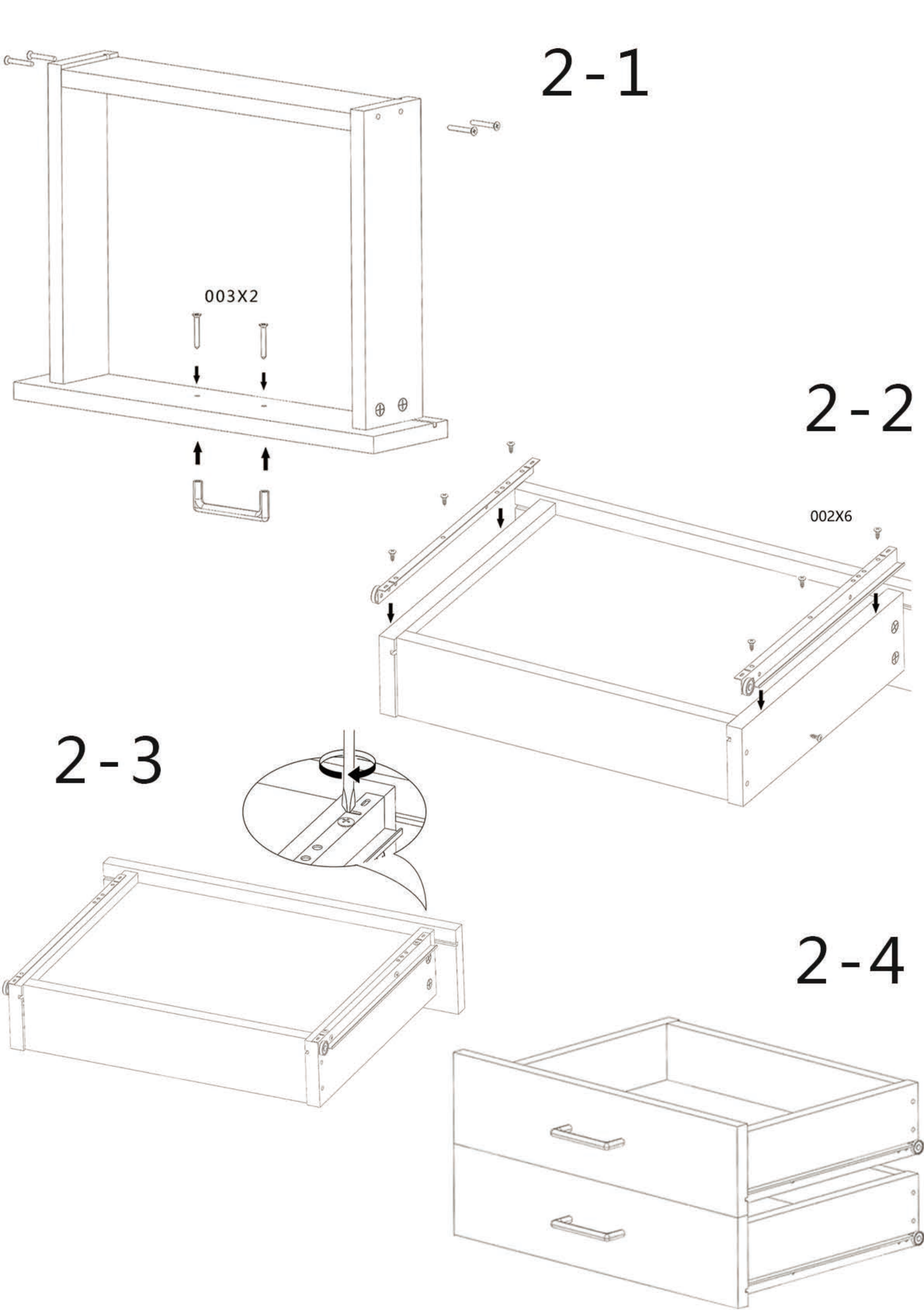


1-1

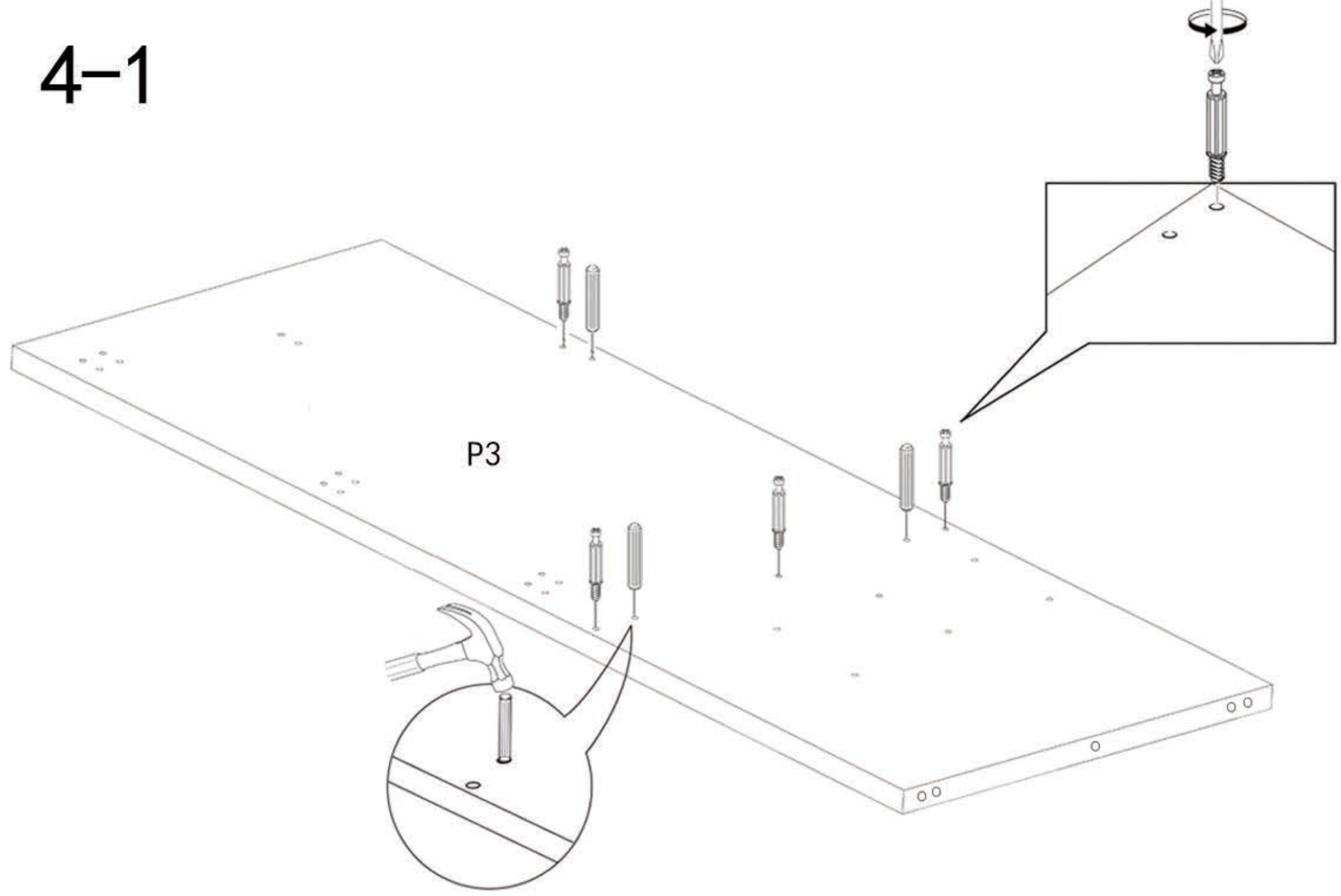


1-3

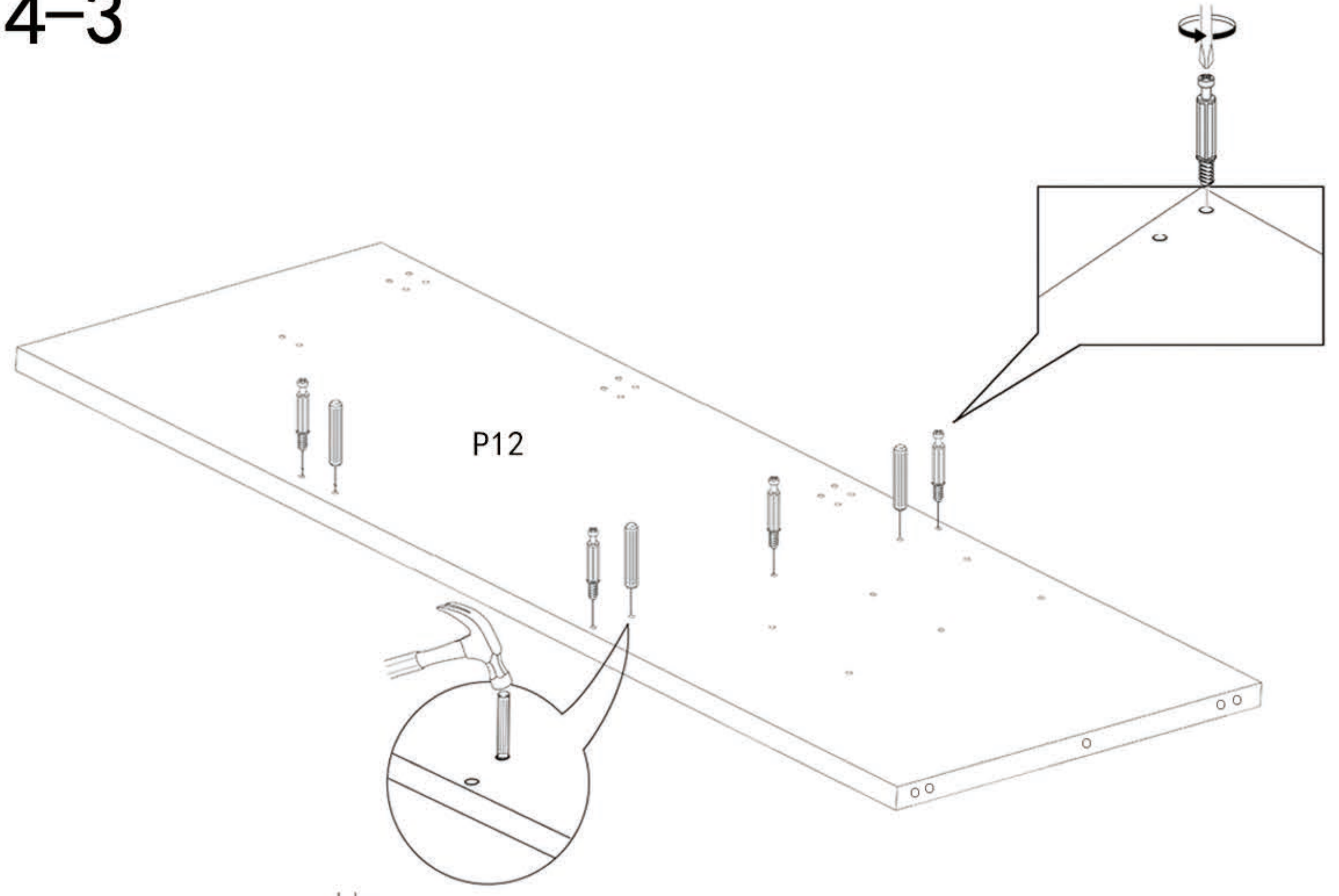




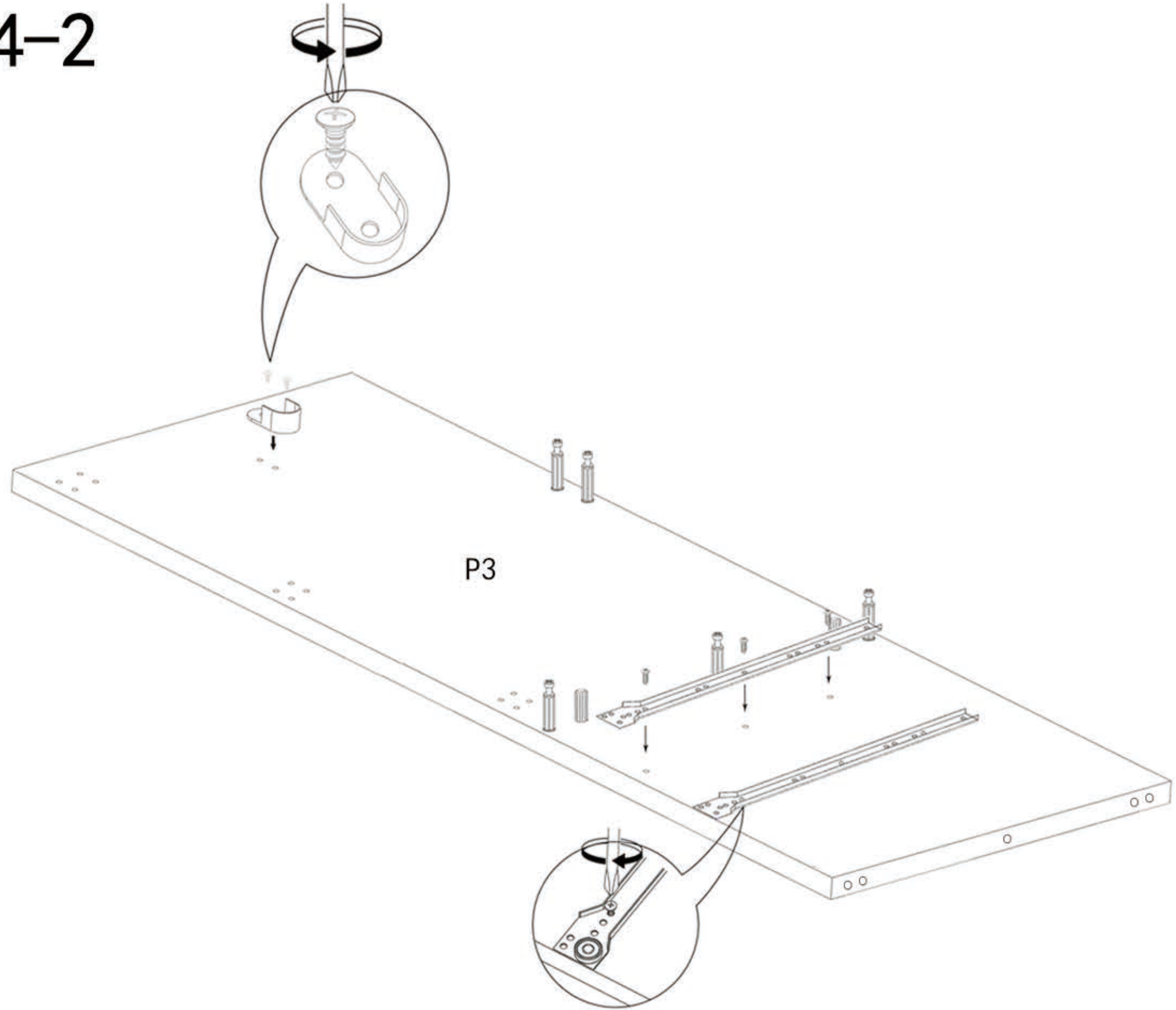
4-1



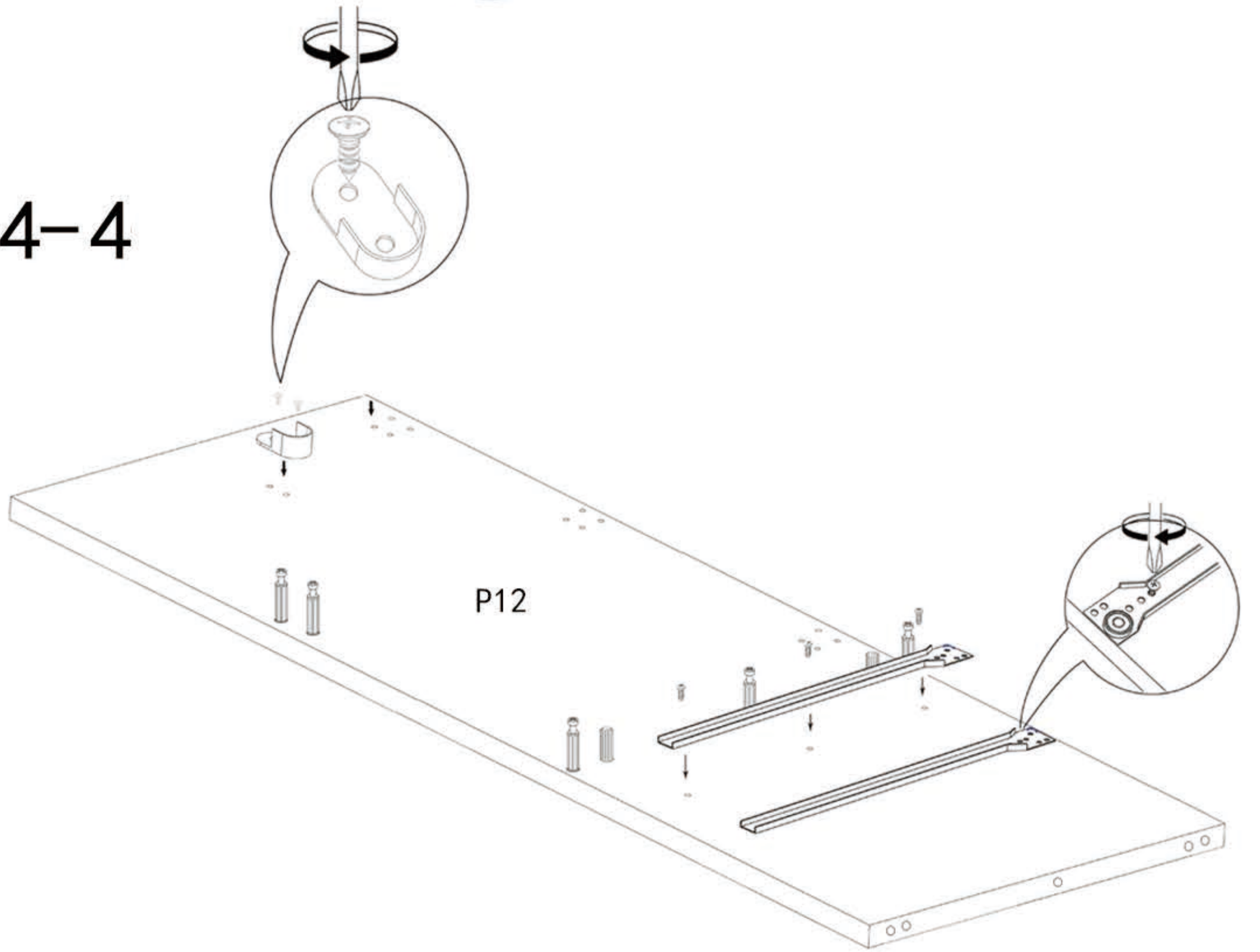
4-3



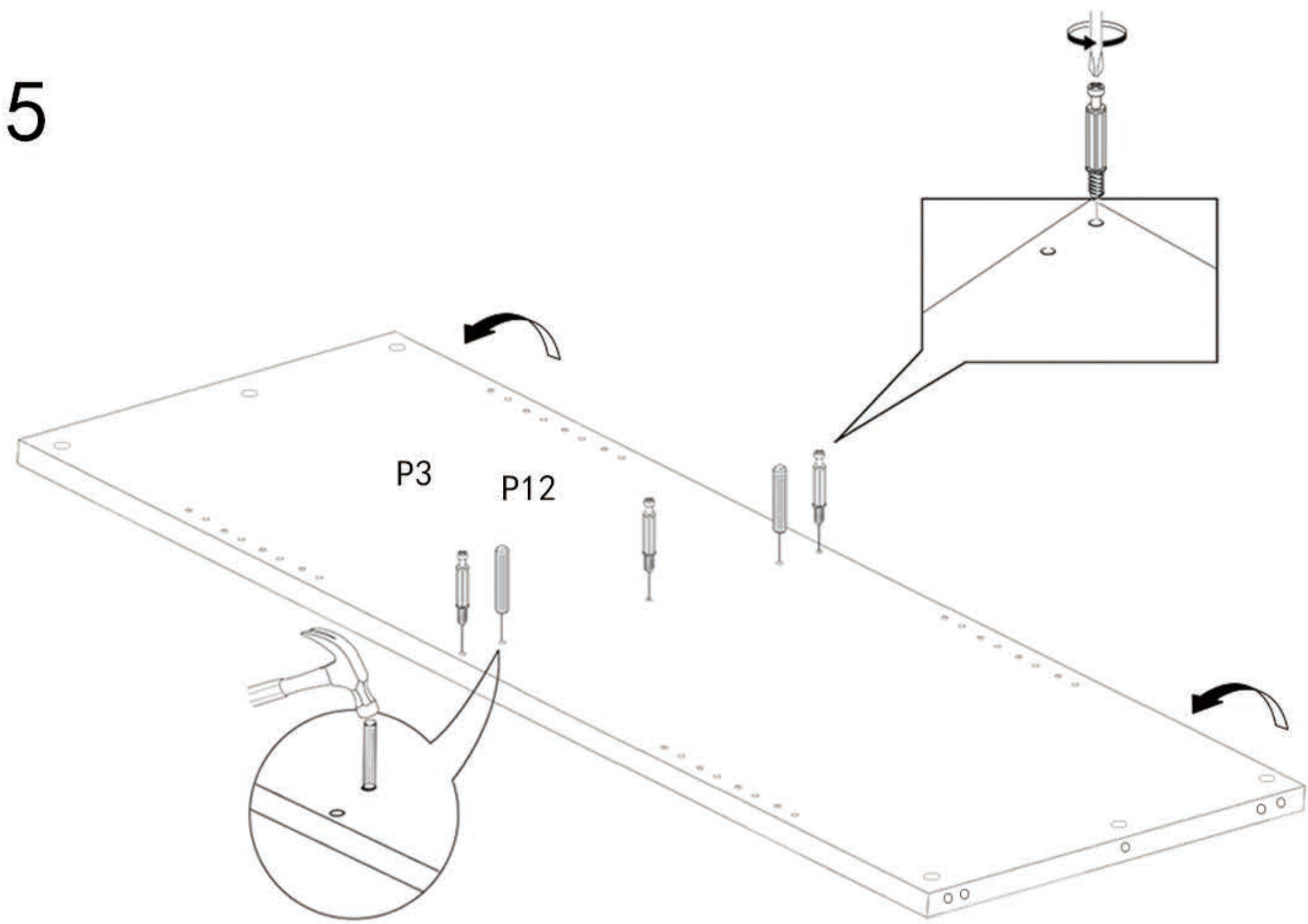
4-2



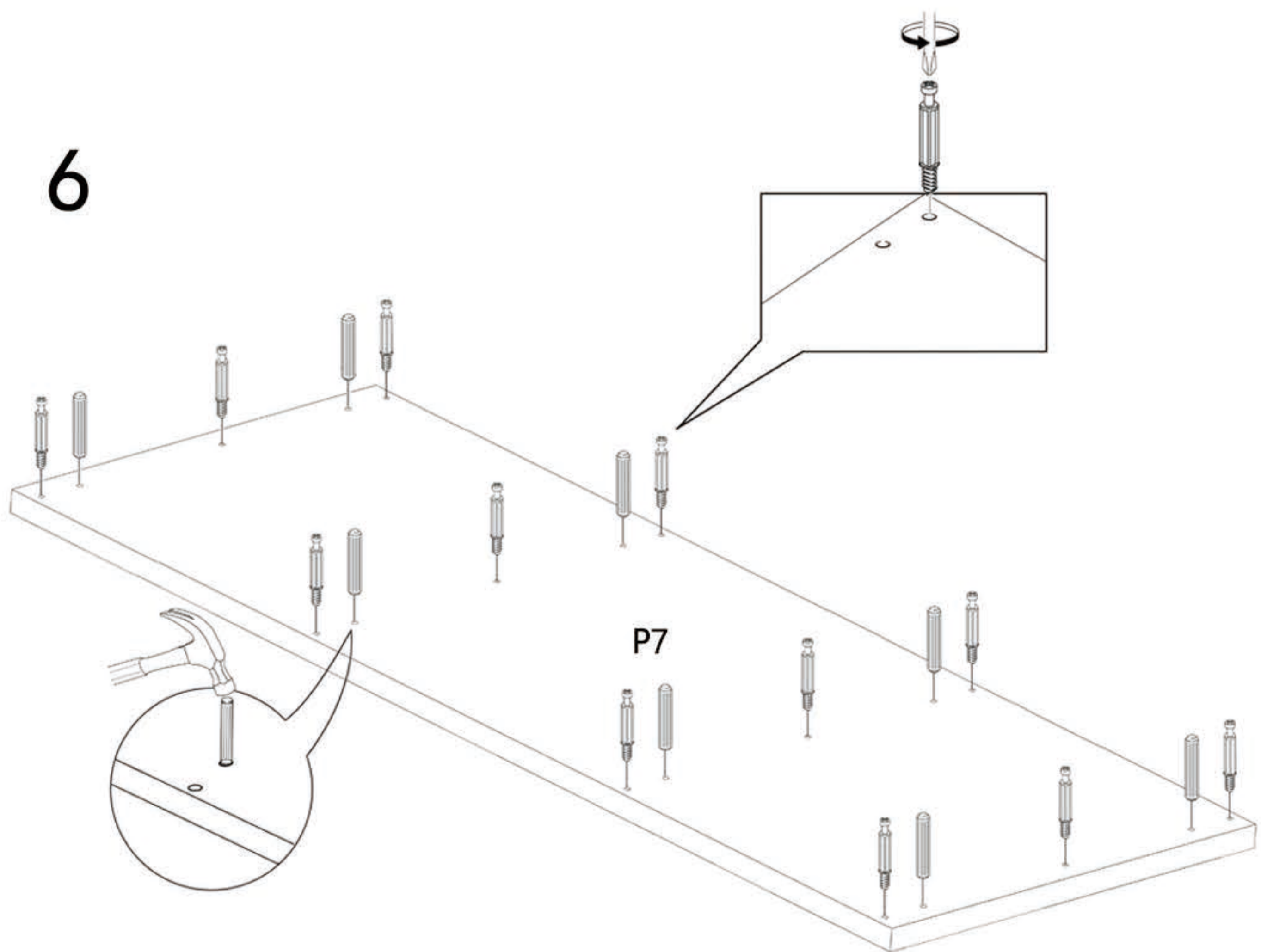
4-4



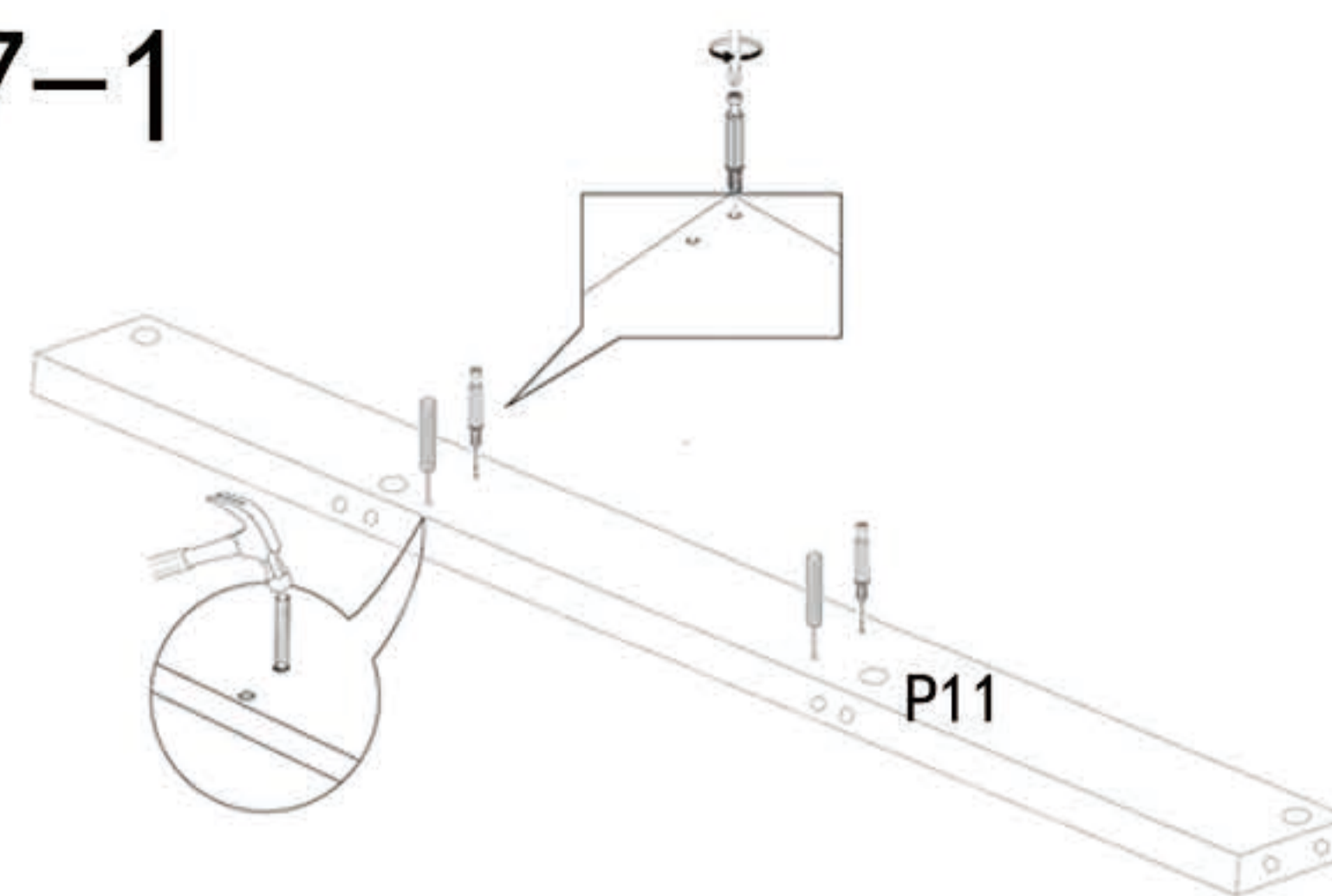
5



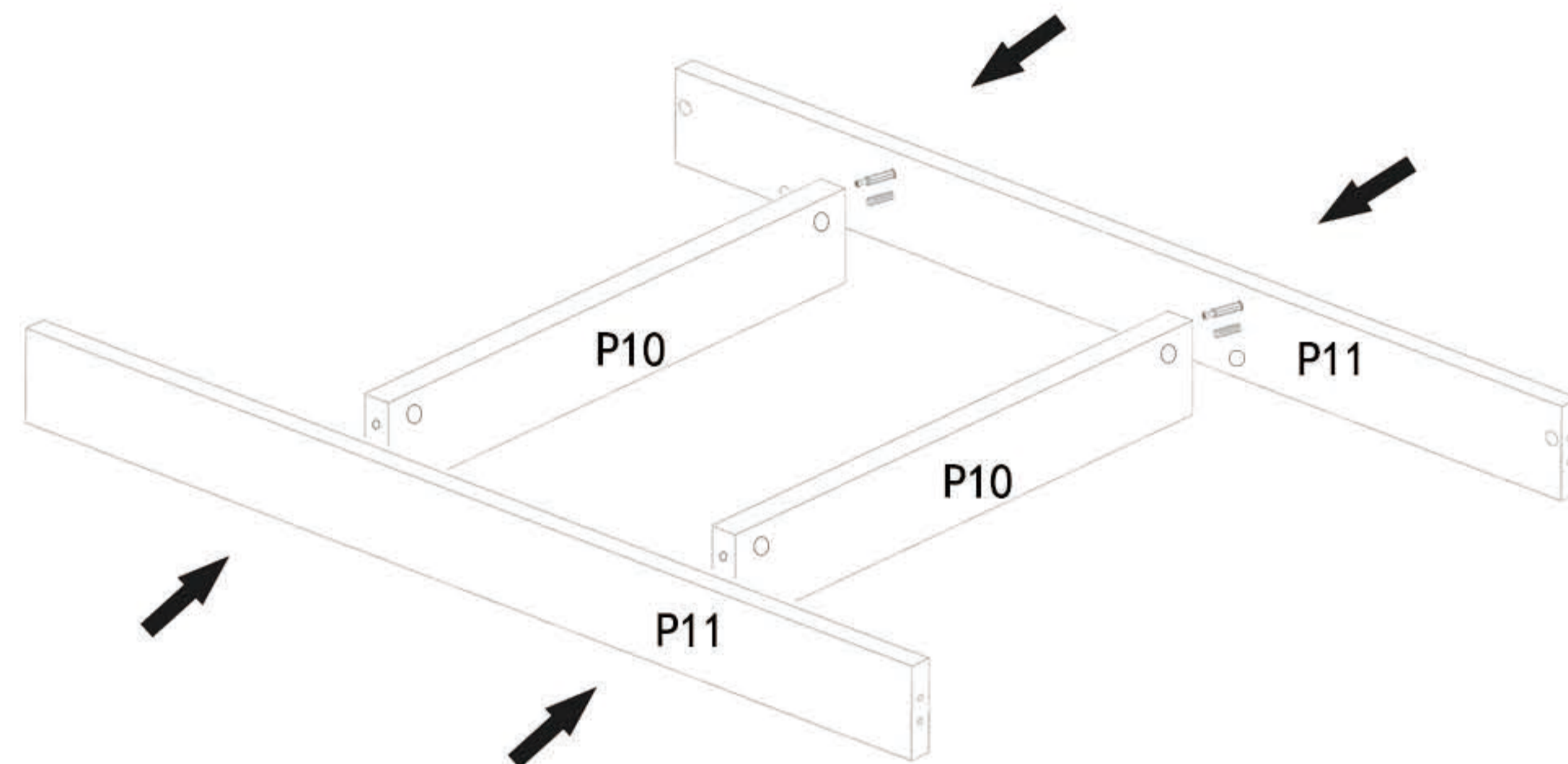
6



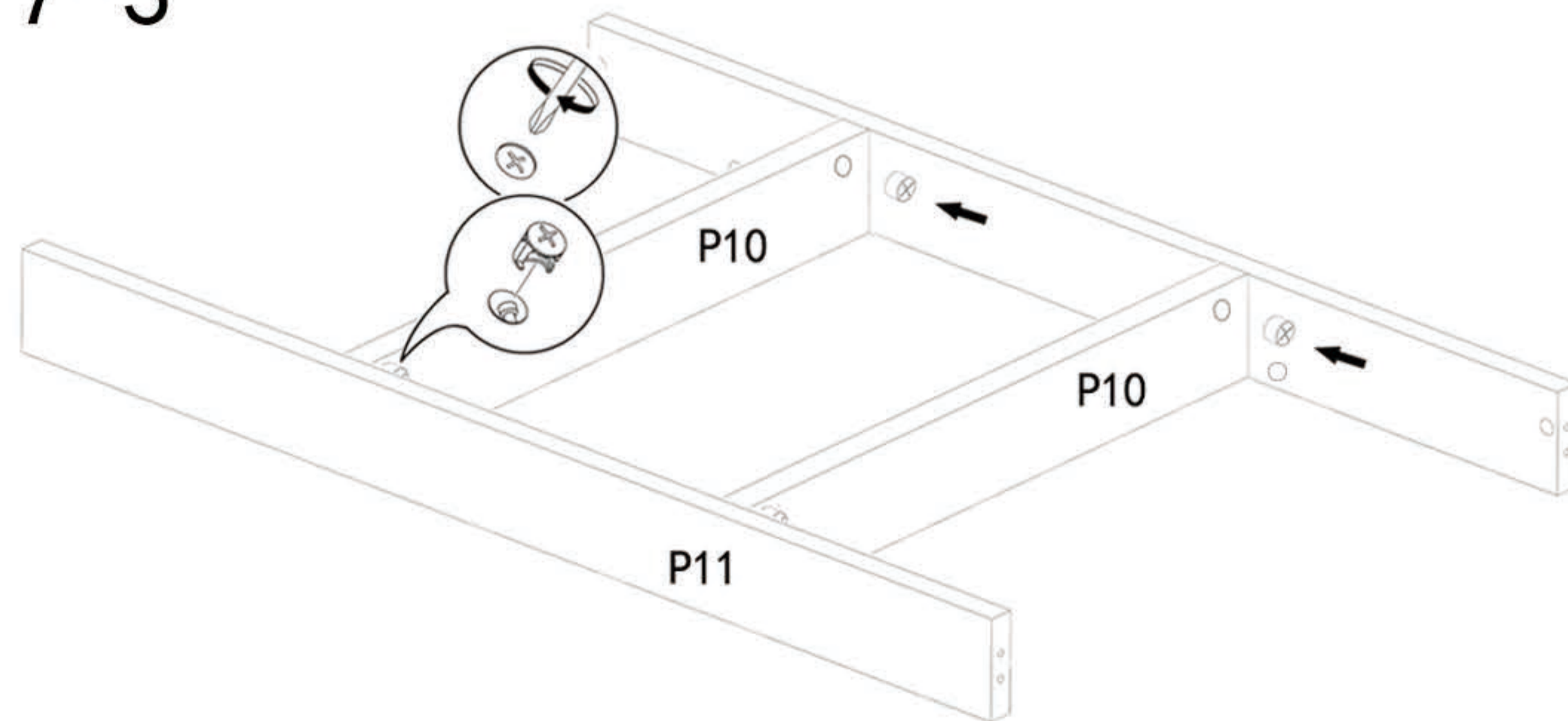
7-1



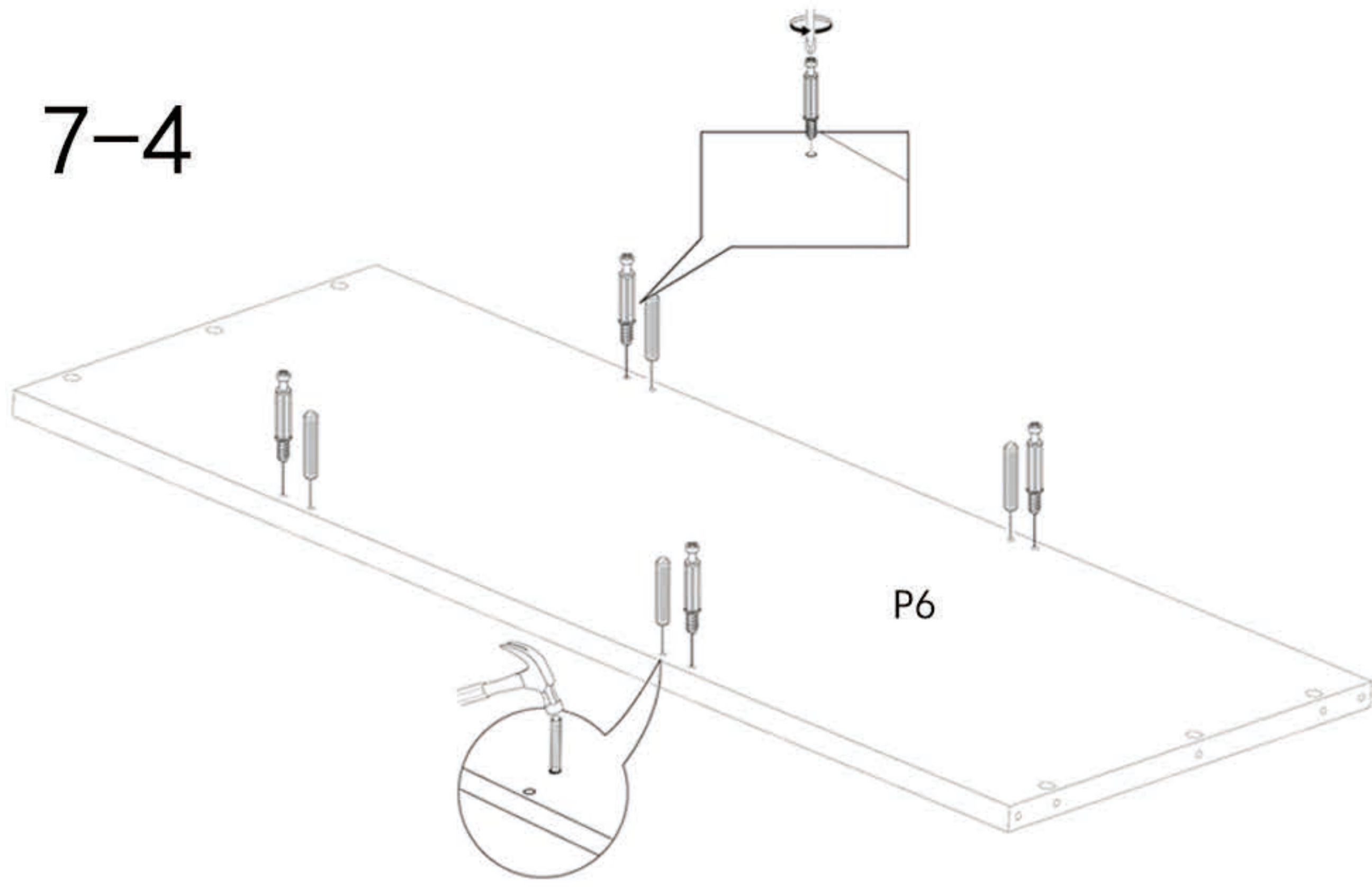
7-2



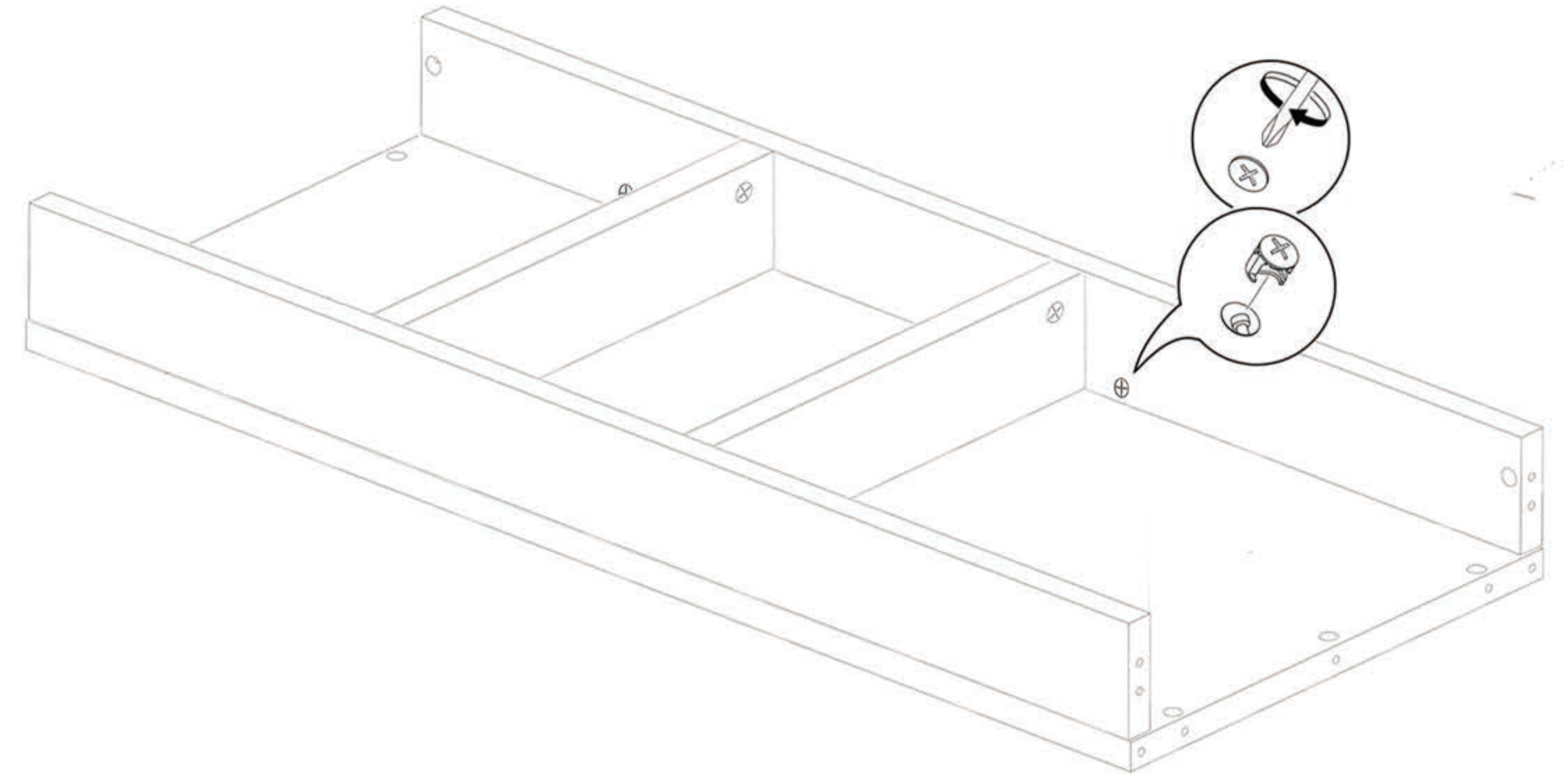
7-3



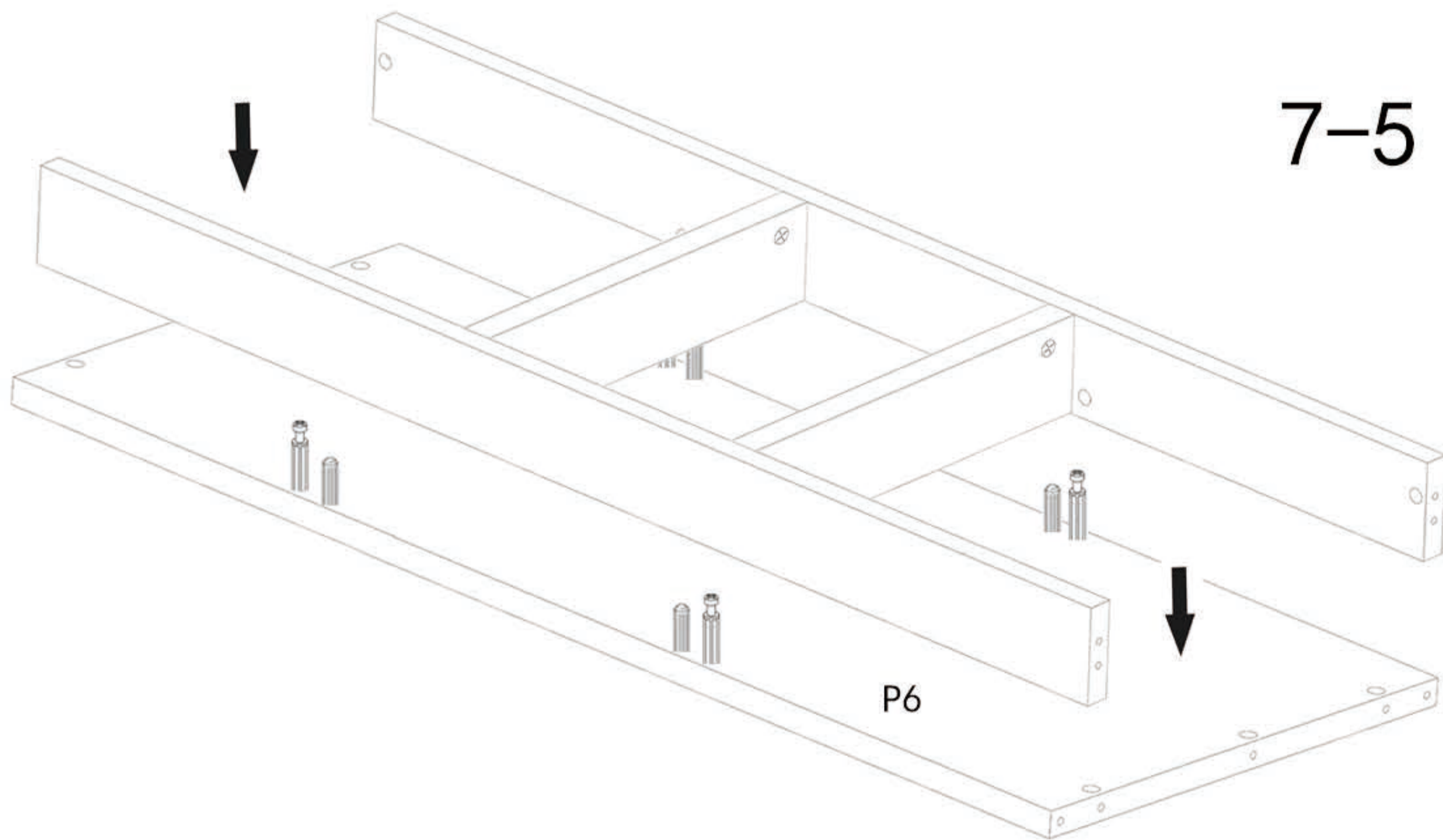
7-4



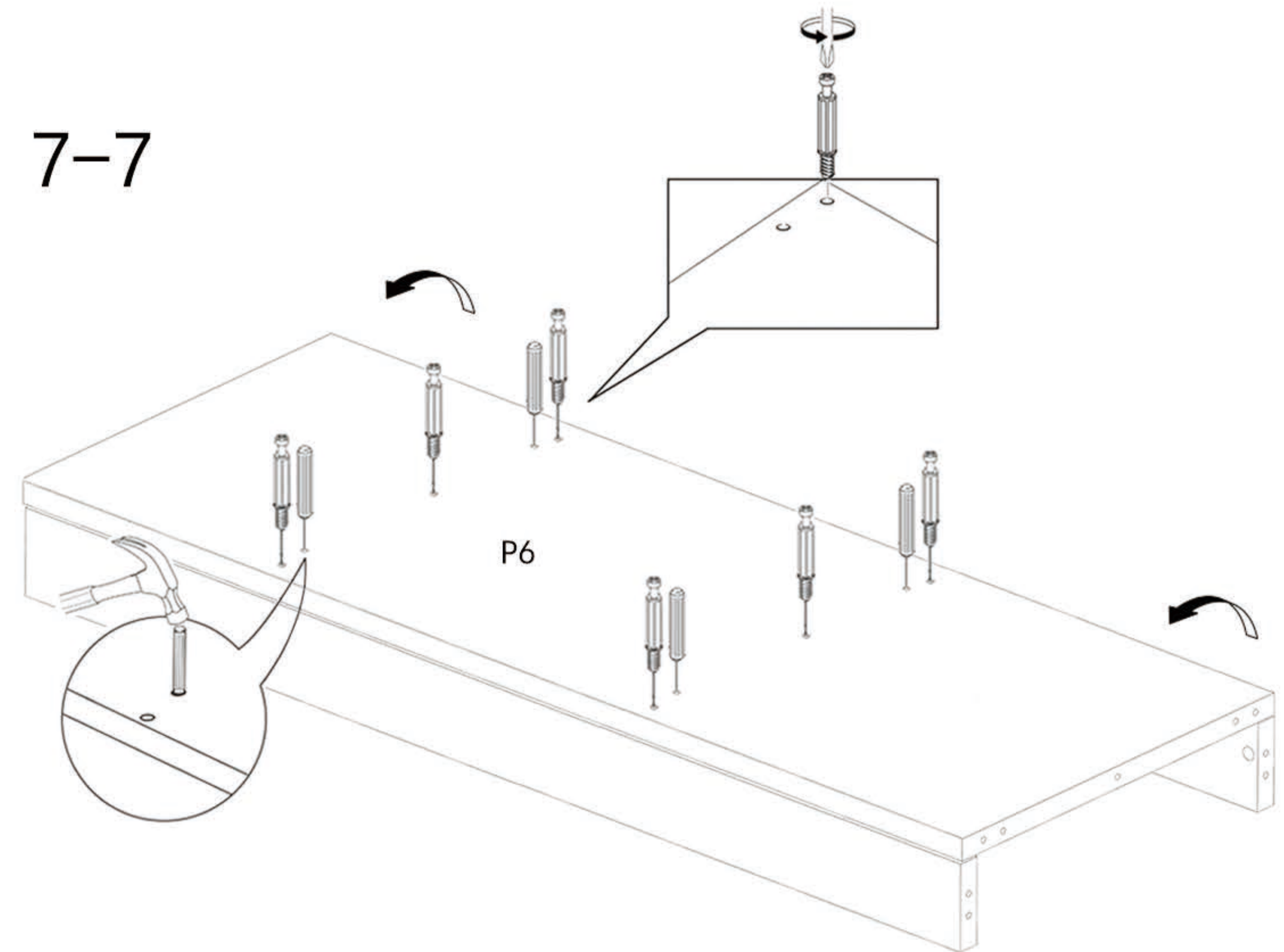
7-6



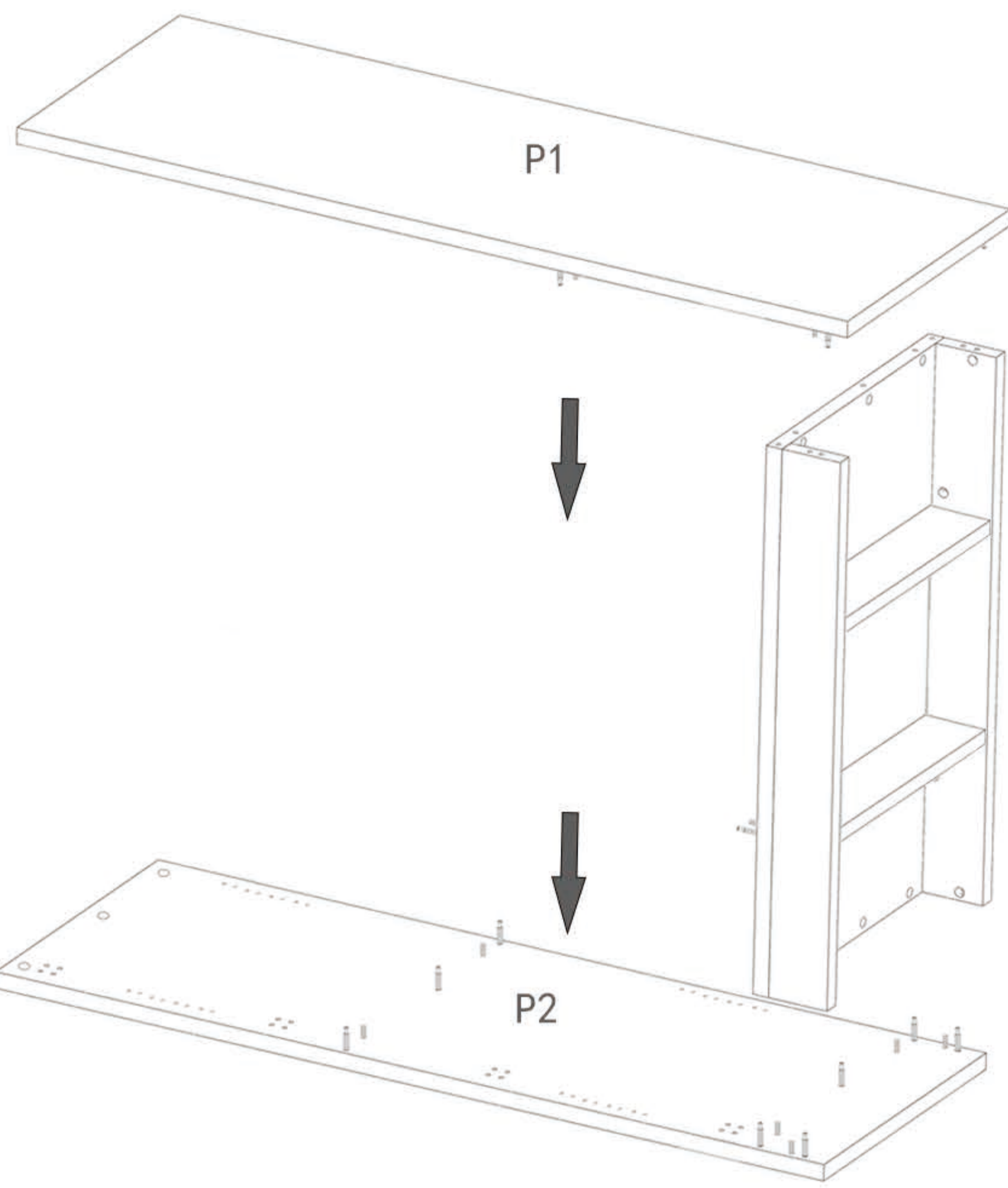
7-5



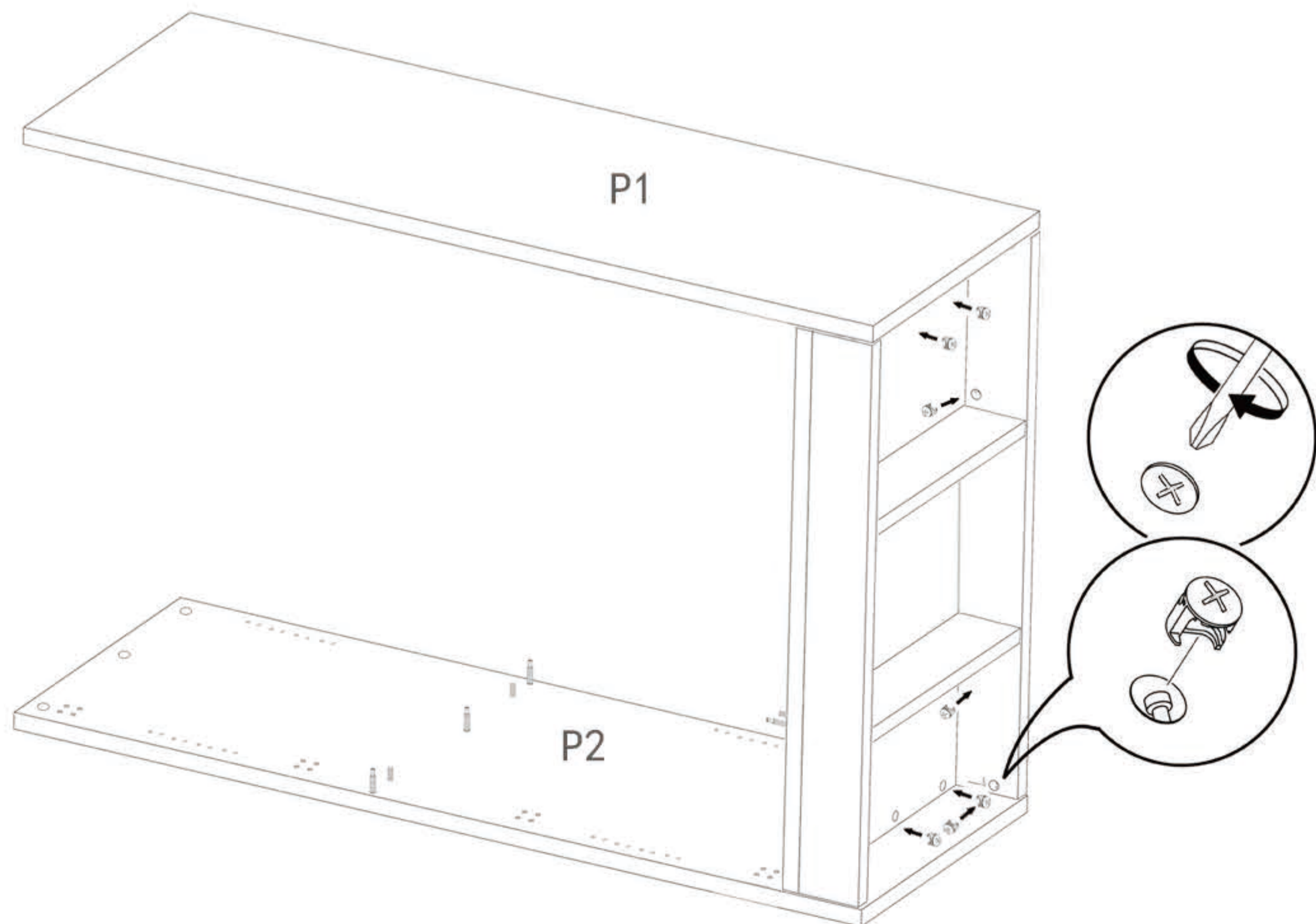
7-7



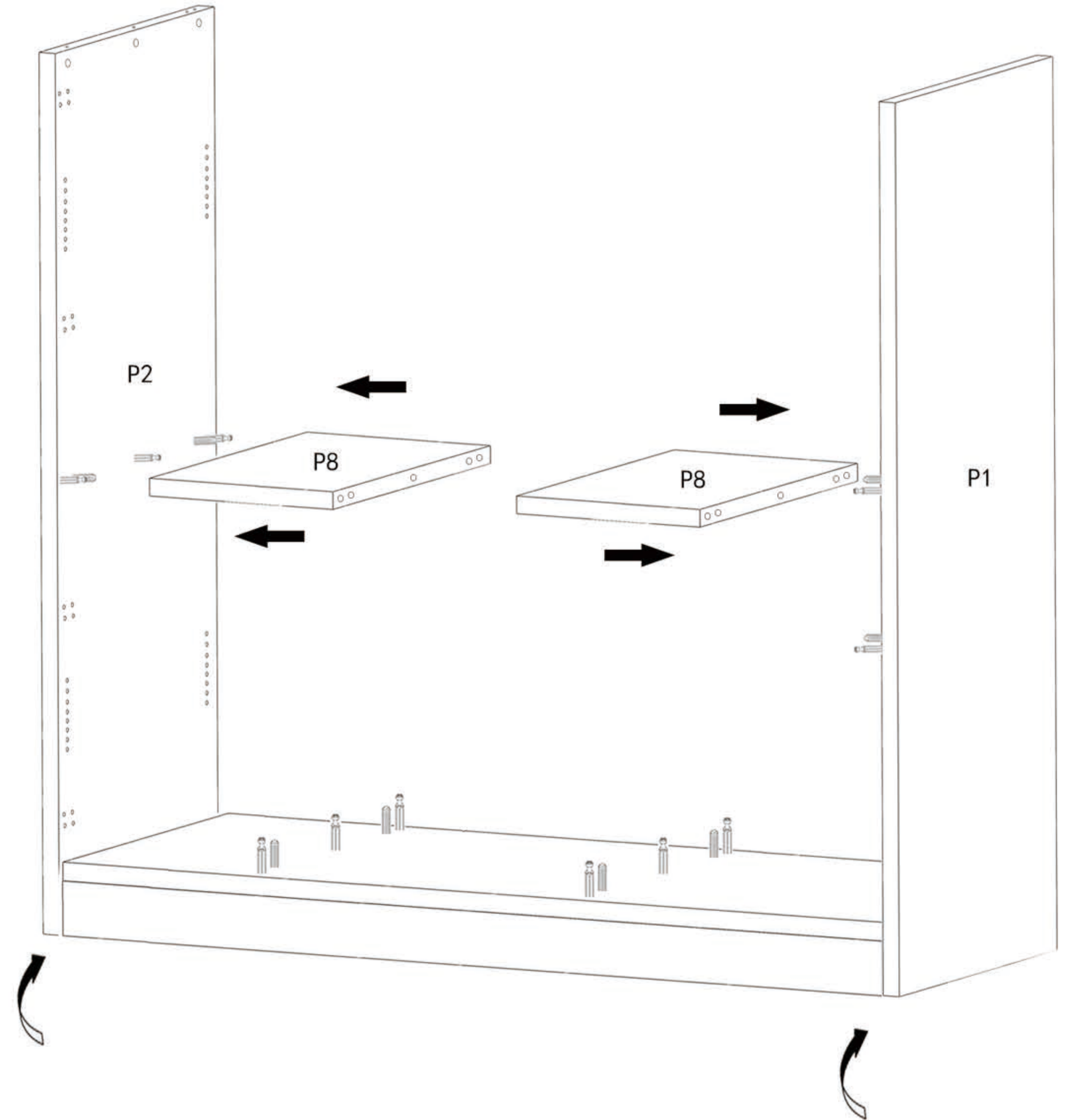
8-1



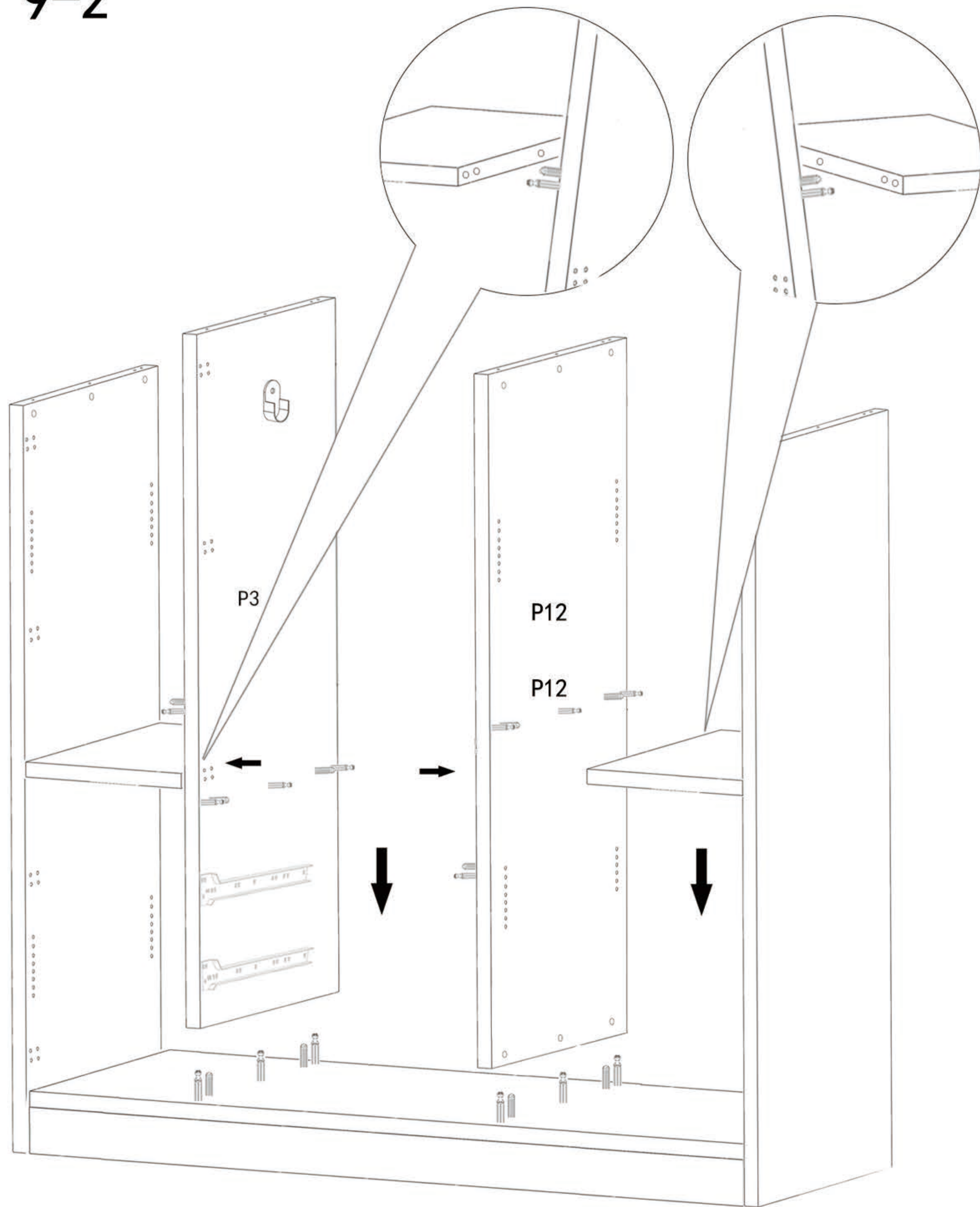
8-2



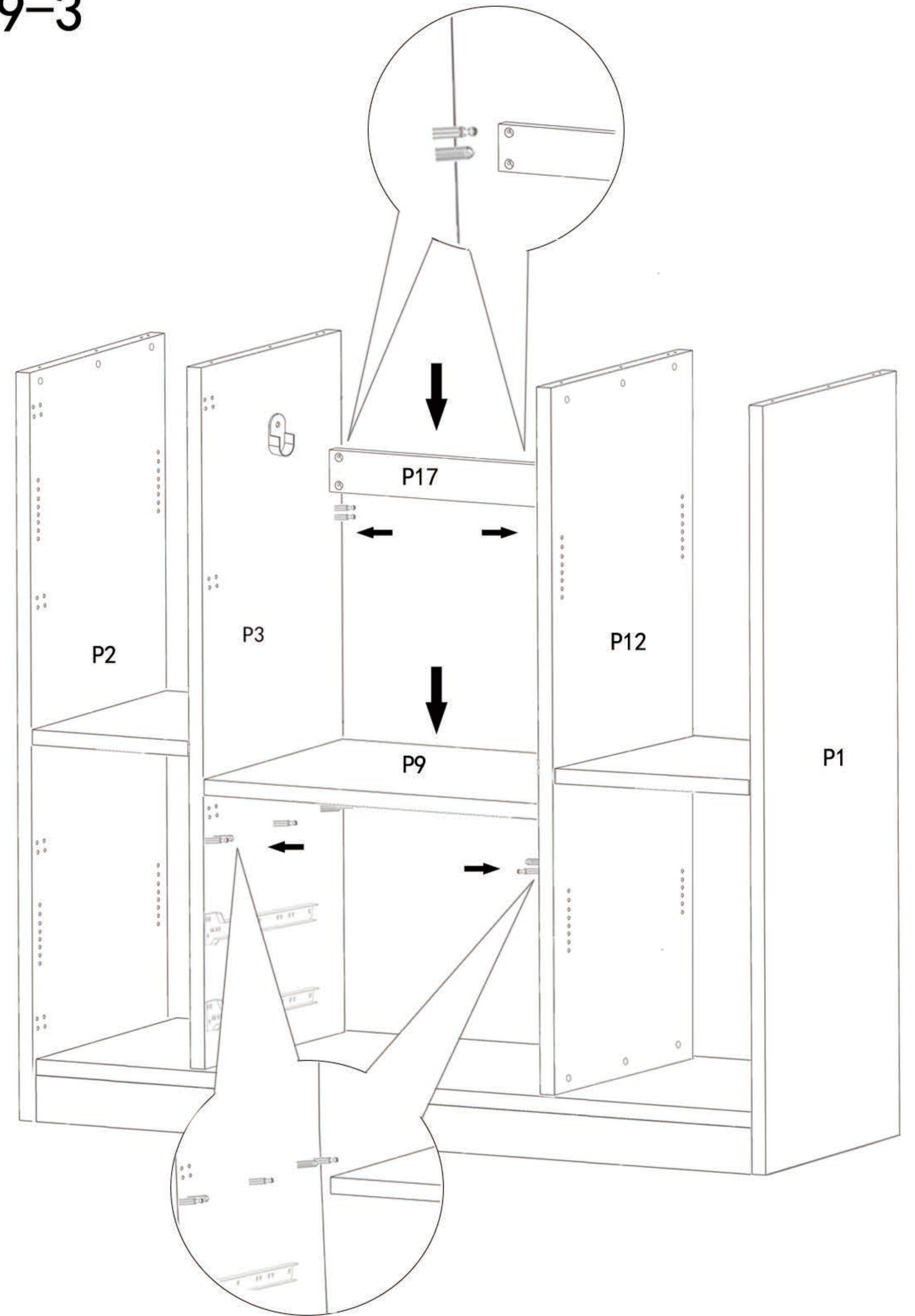
9-1



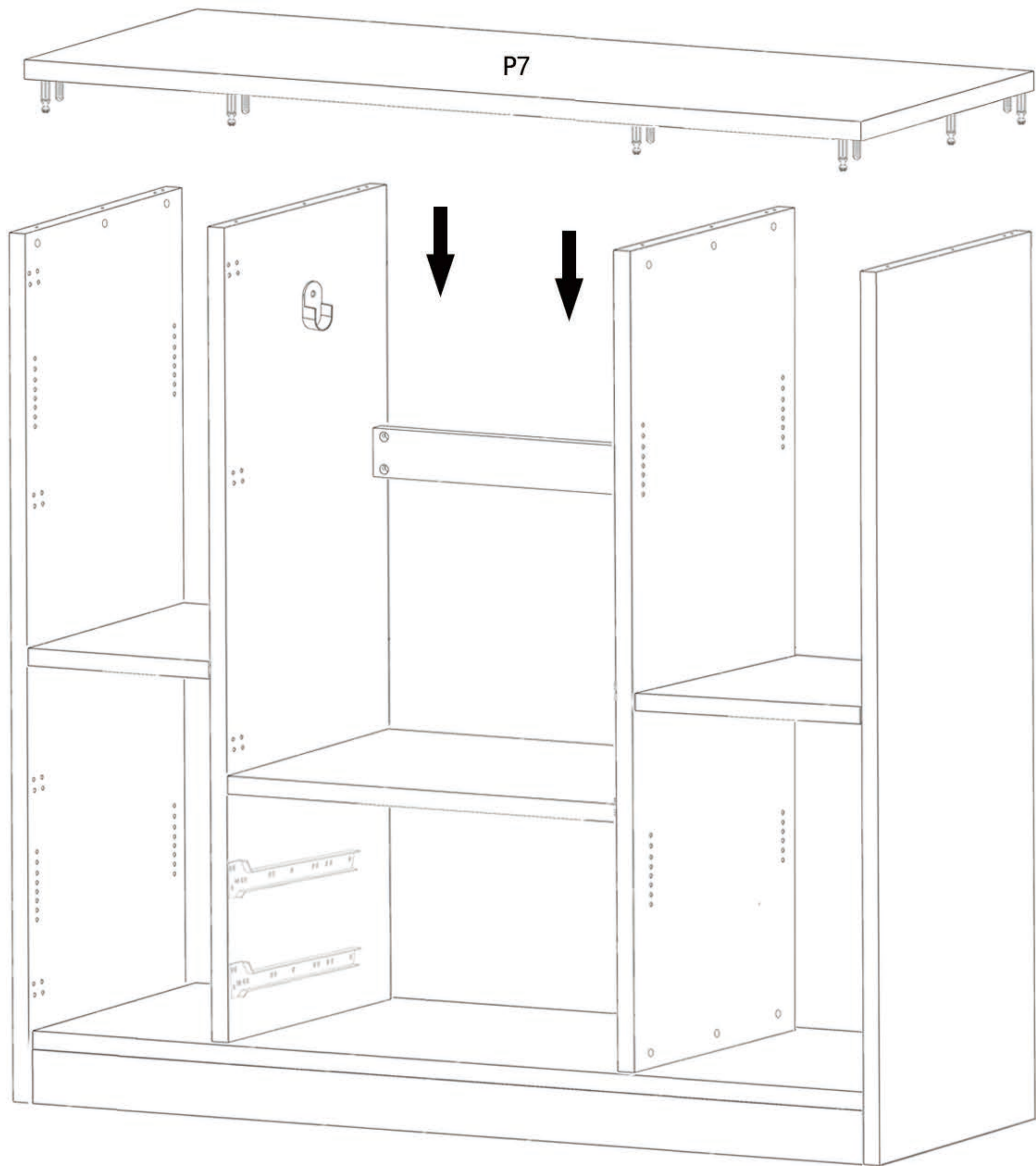
9-2



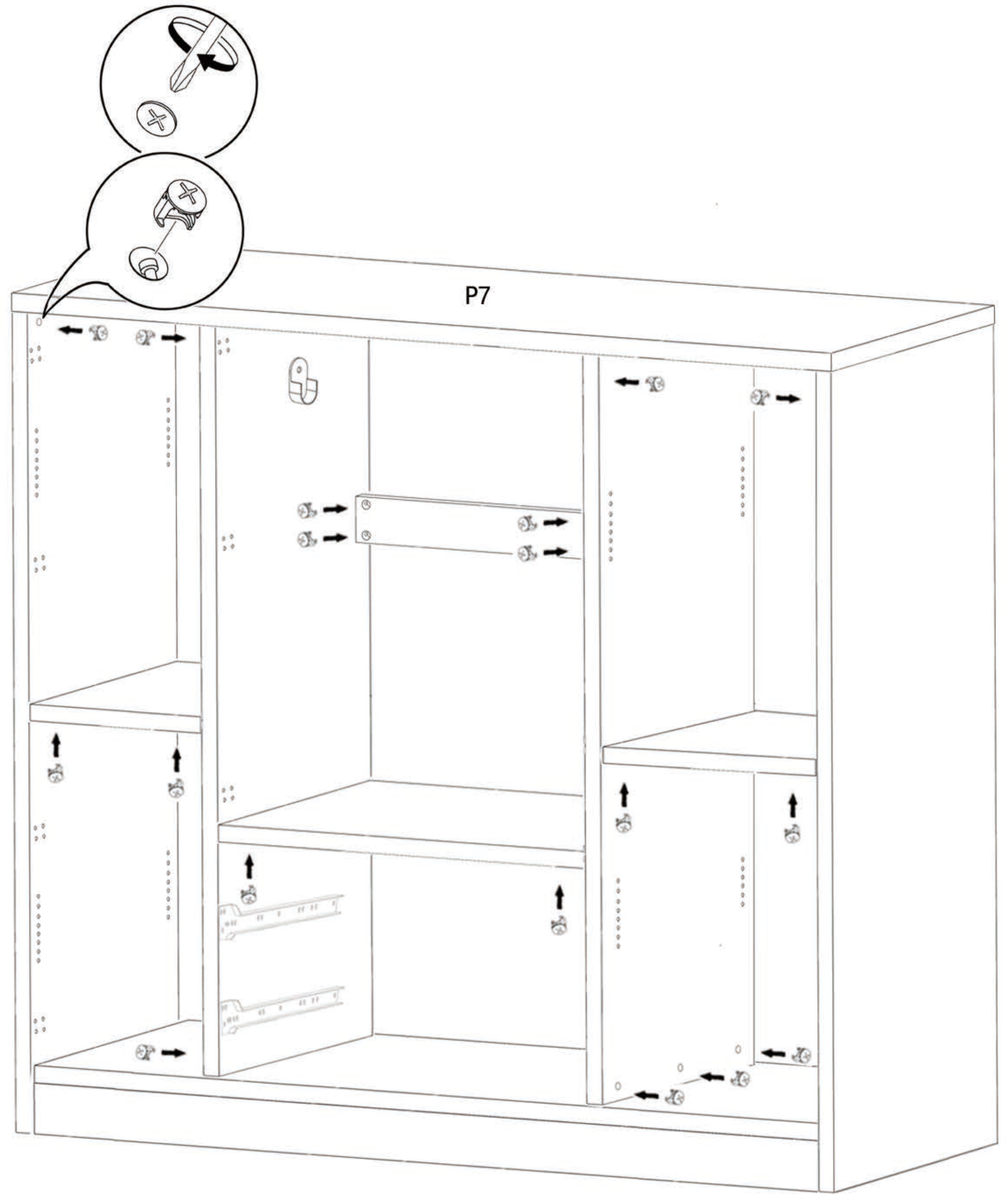
9-3



9-4

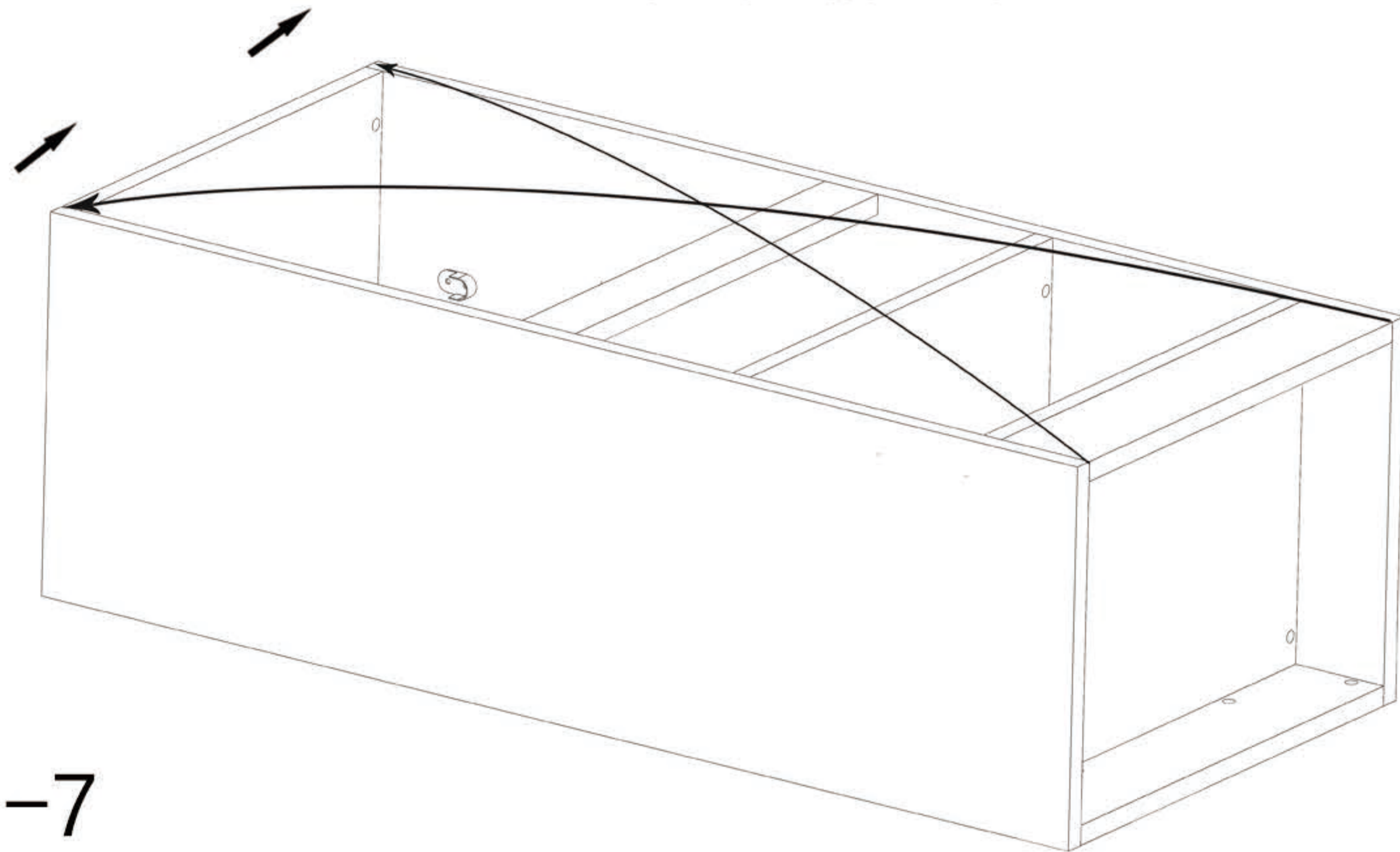


9-5



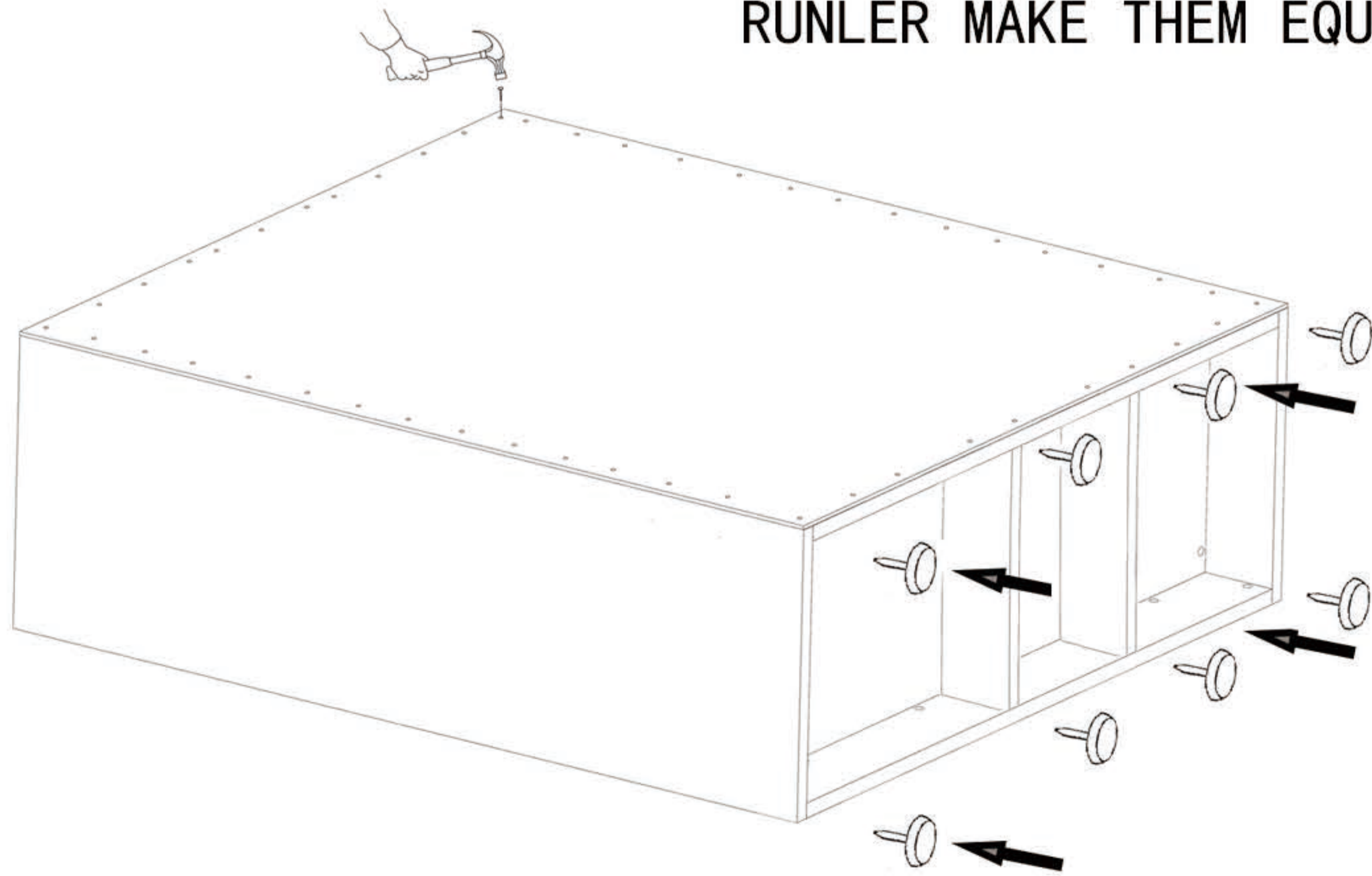
9-6

TAP THE TOP OF WORDROBE

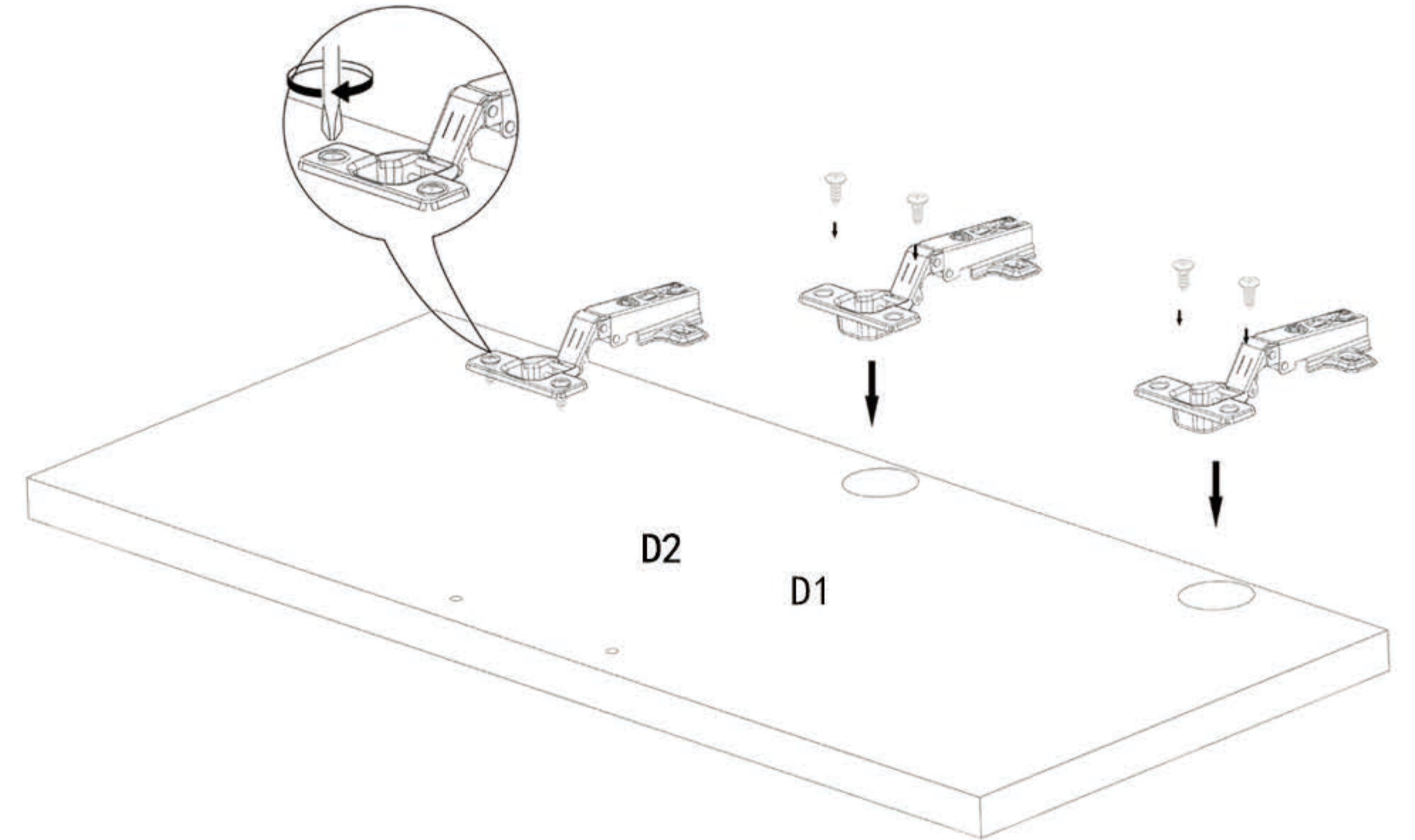


9-7

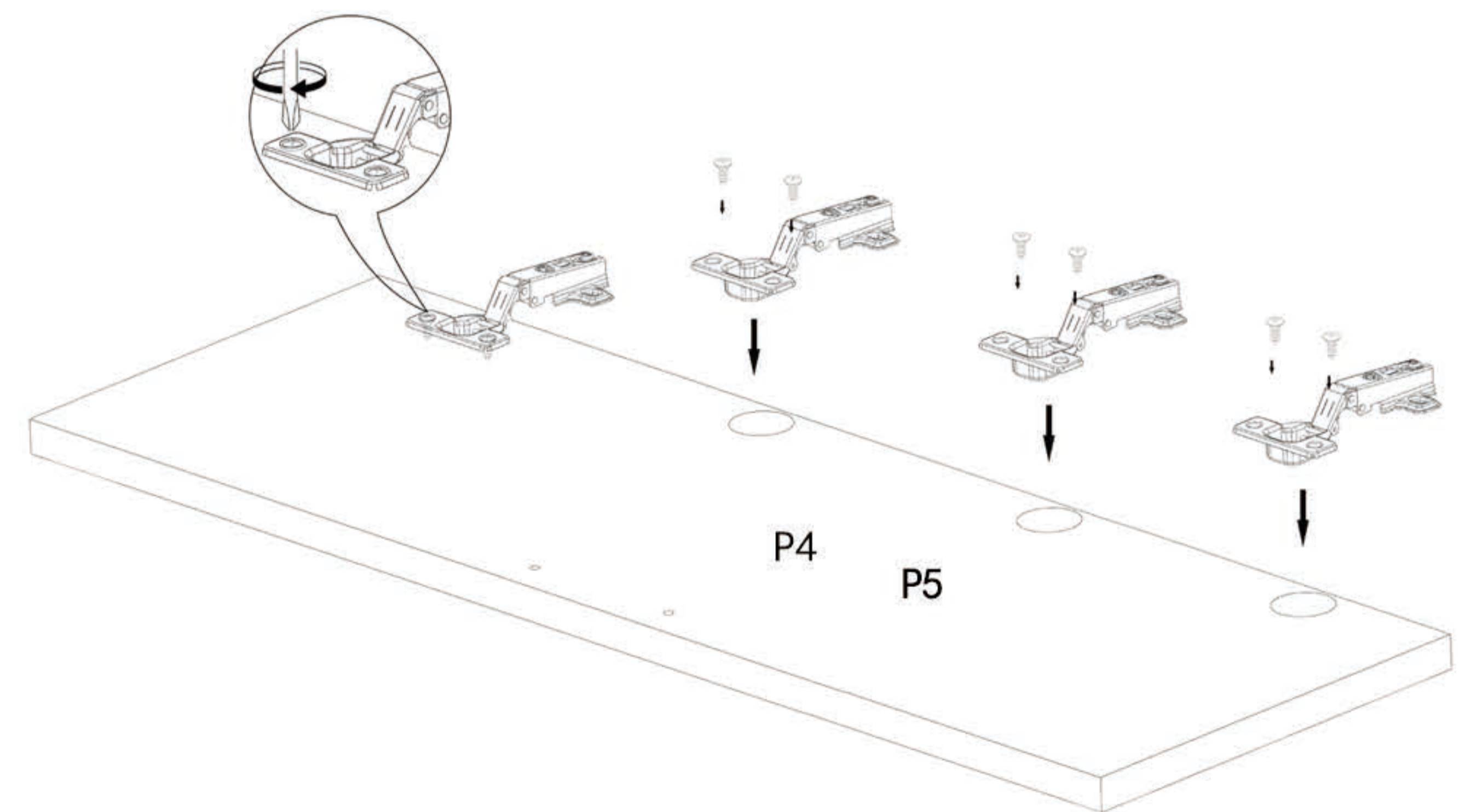
MEASURE DINGORAL BY
RUNLER MAKE THEM EQUAL



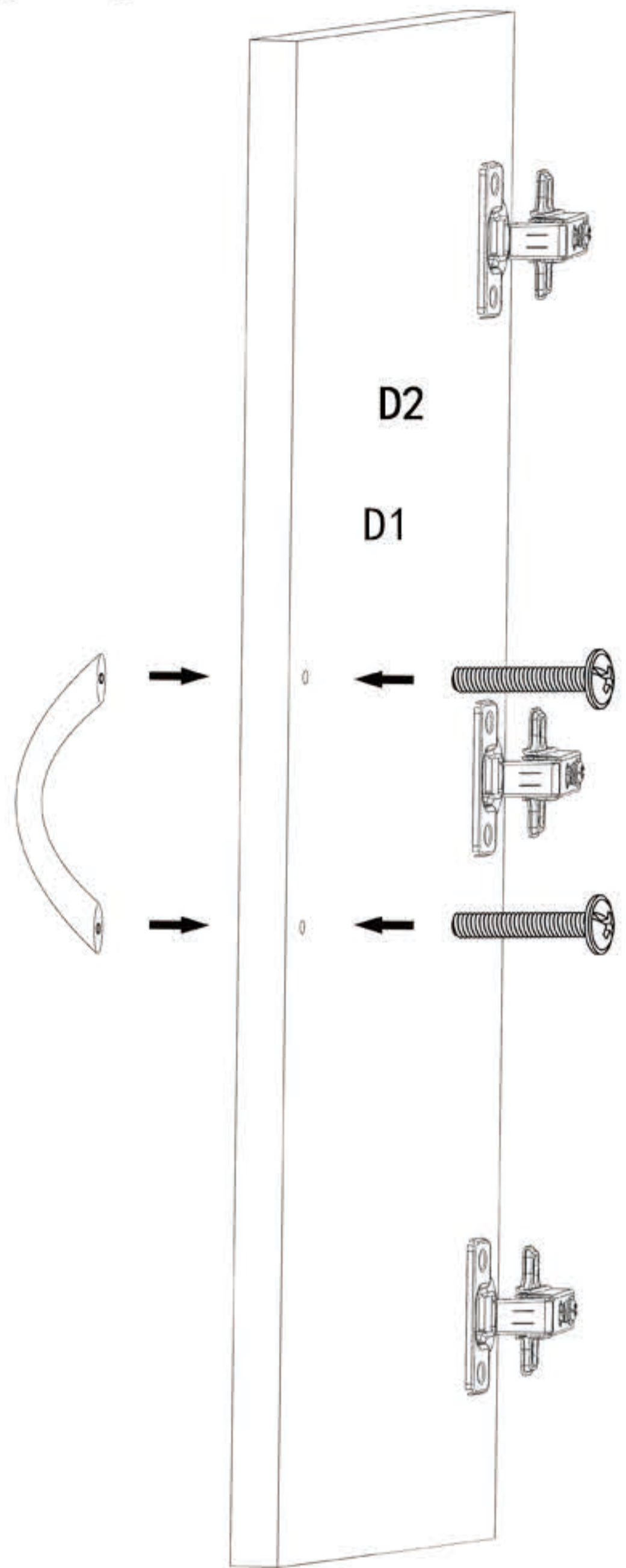
10-1



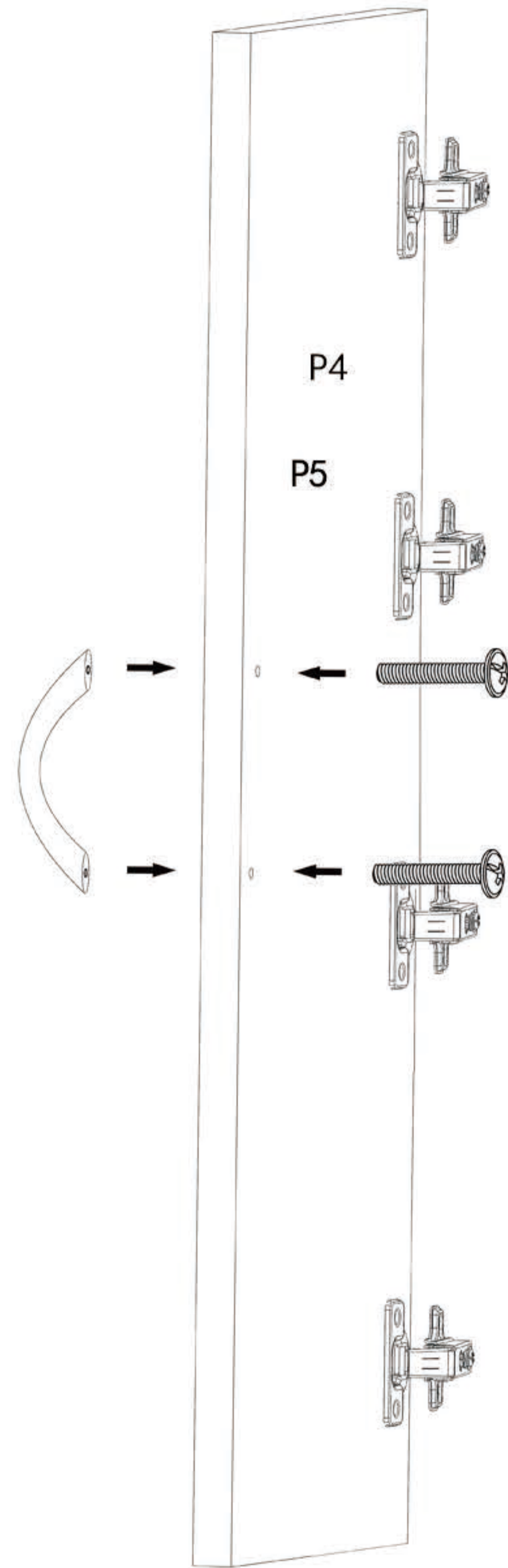
10-2



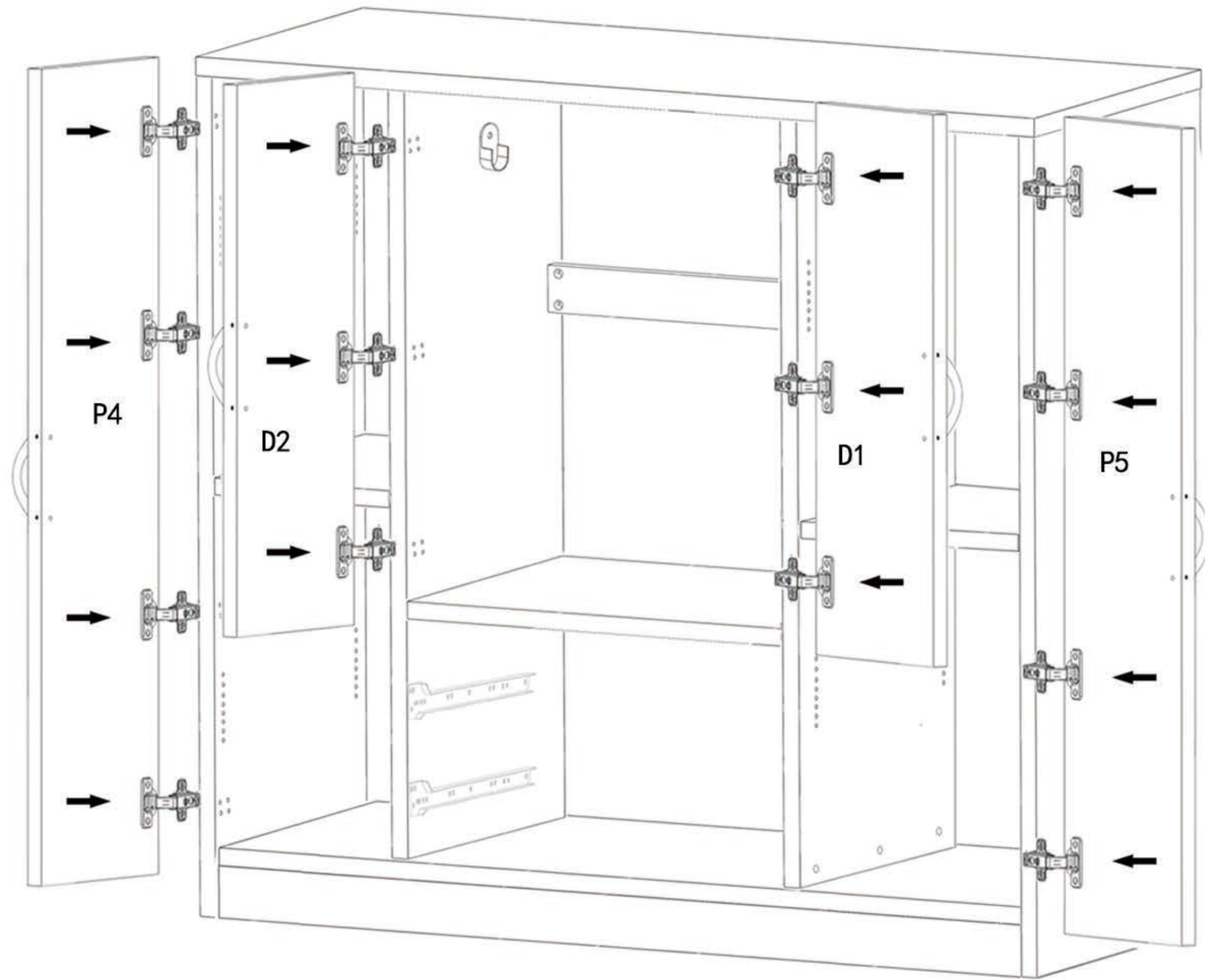
10-3



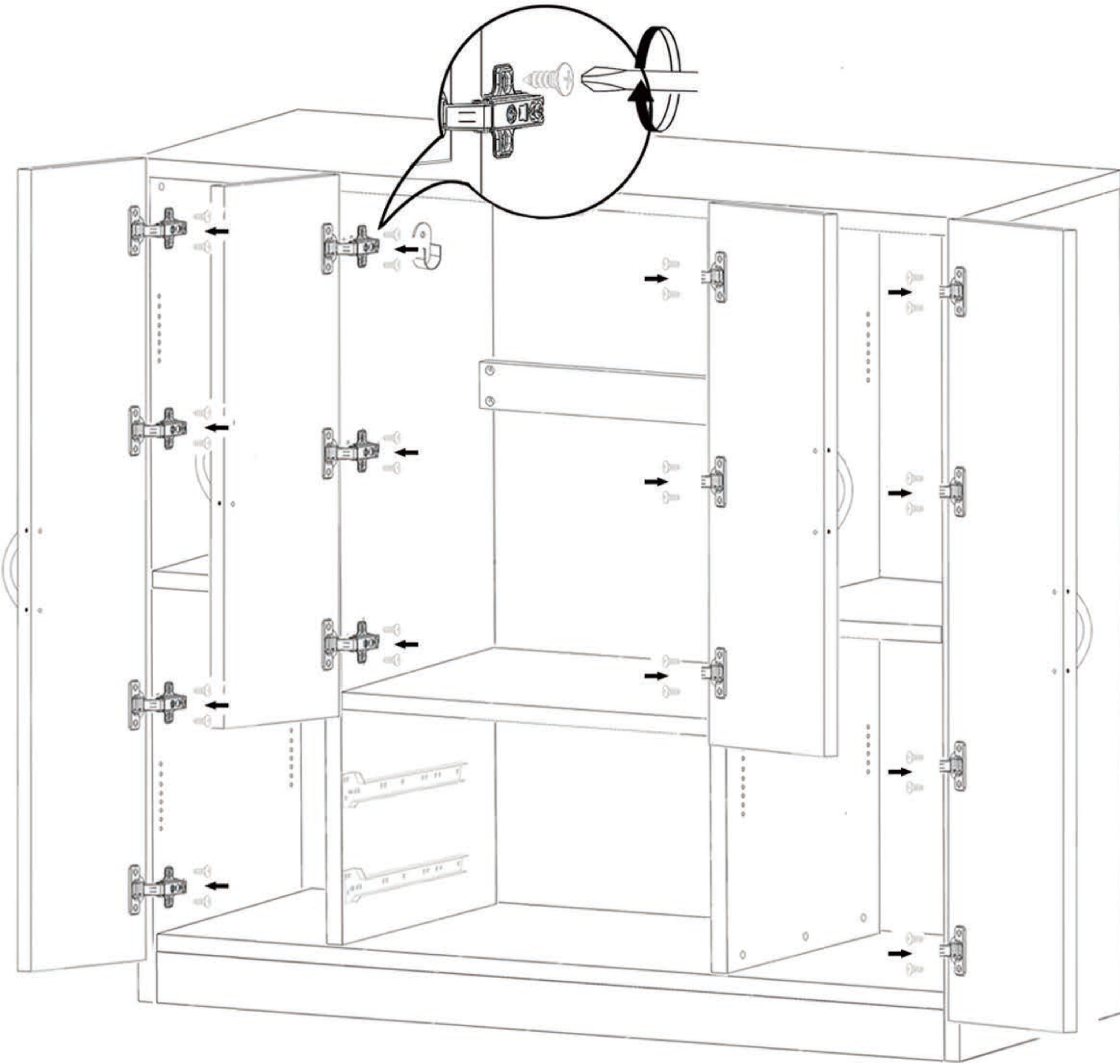
10-4



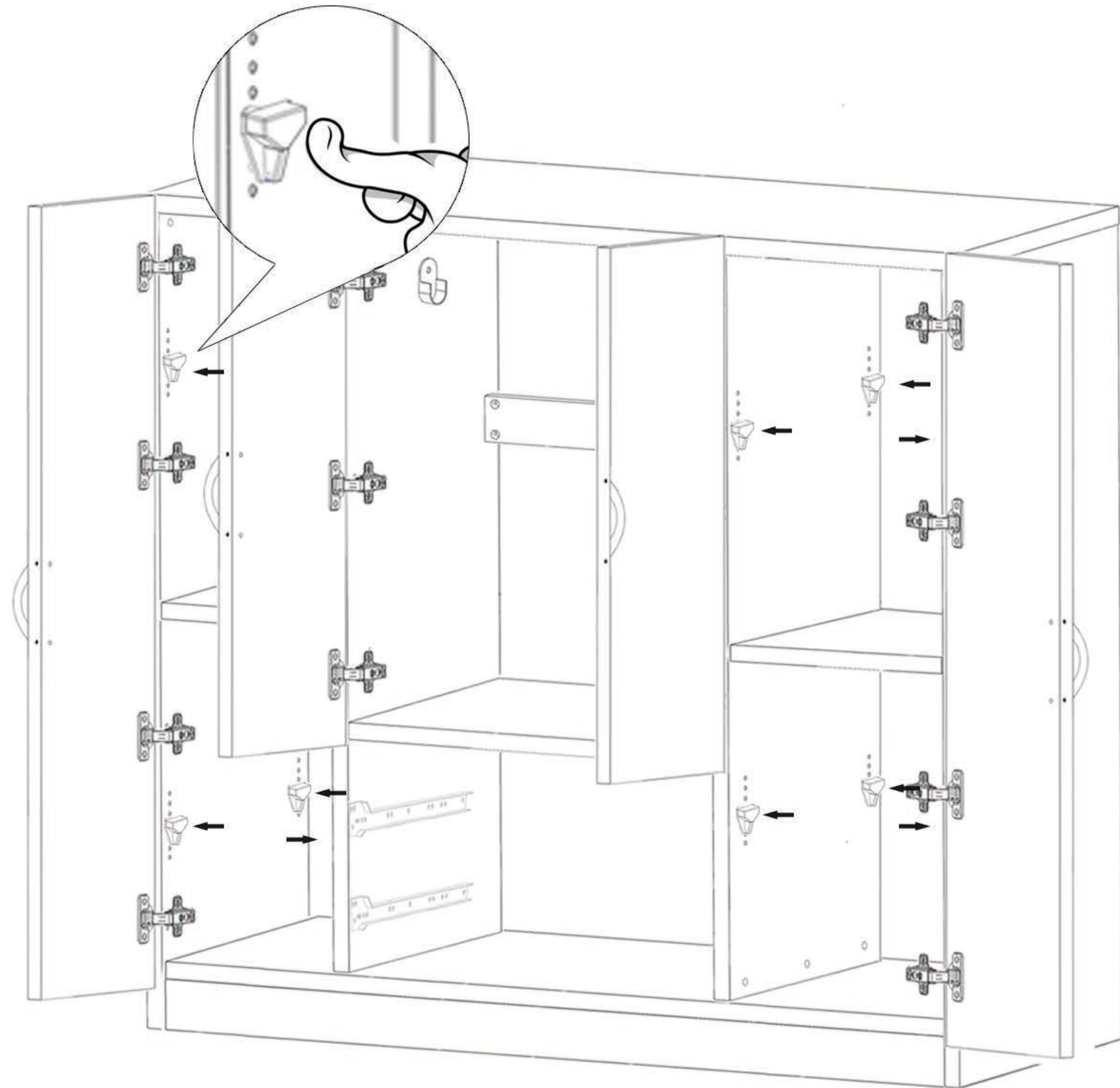
11-1



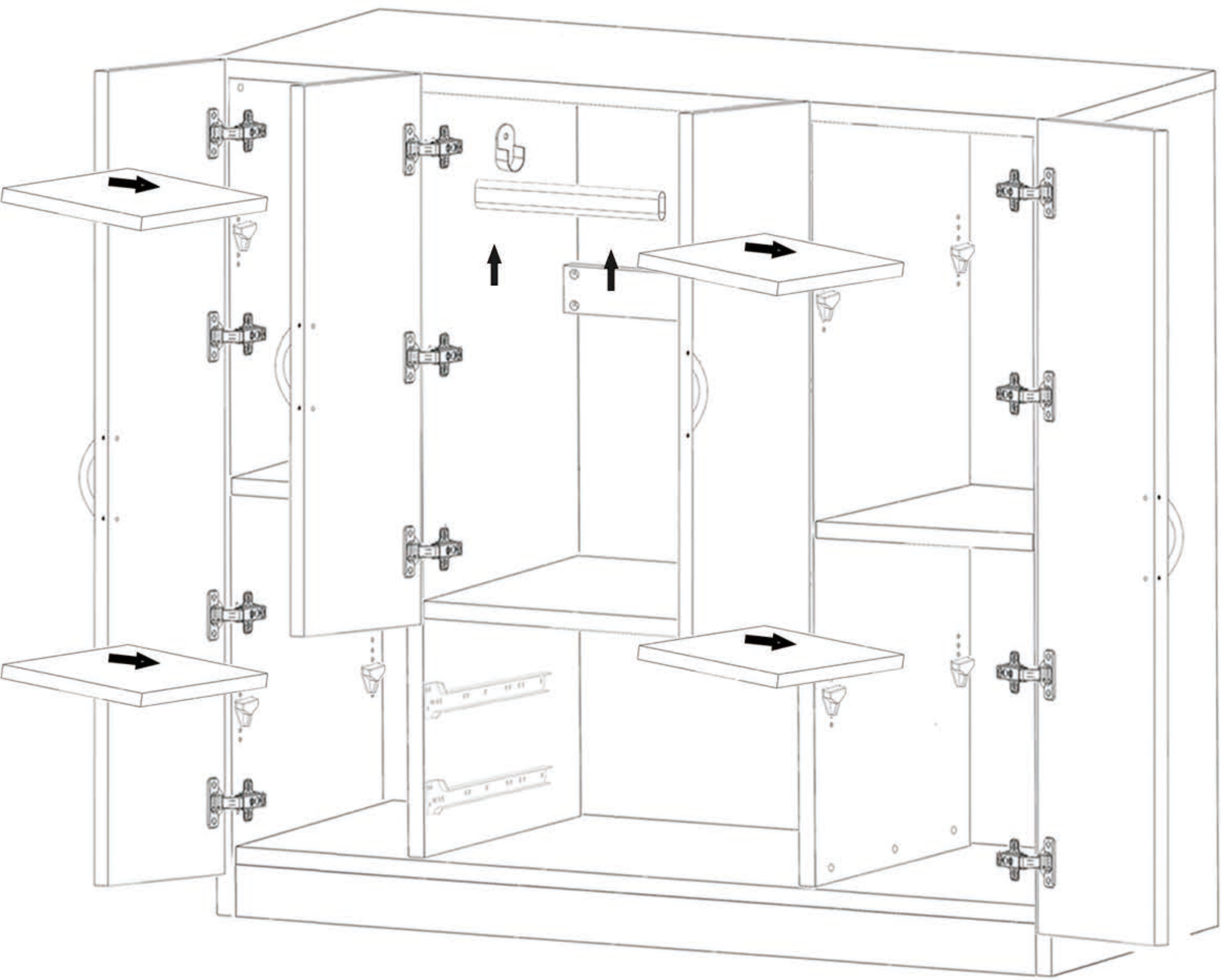
11-2



11-3



11-4



11-5

