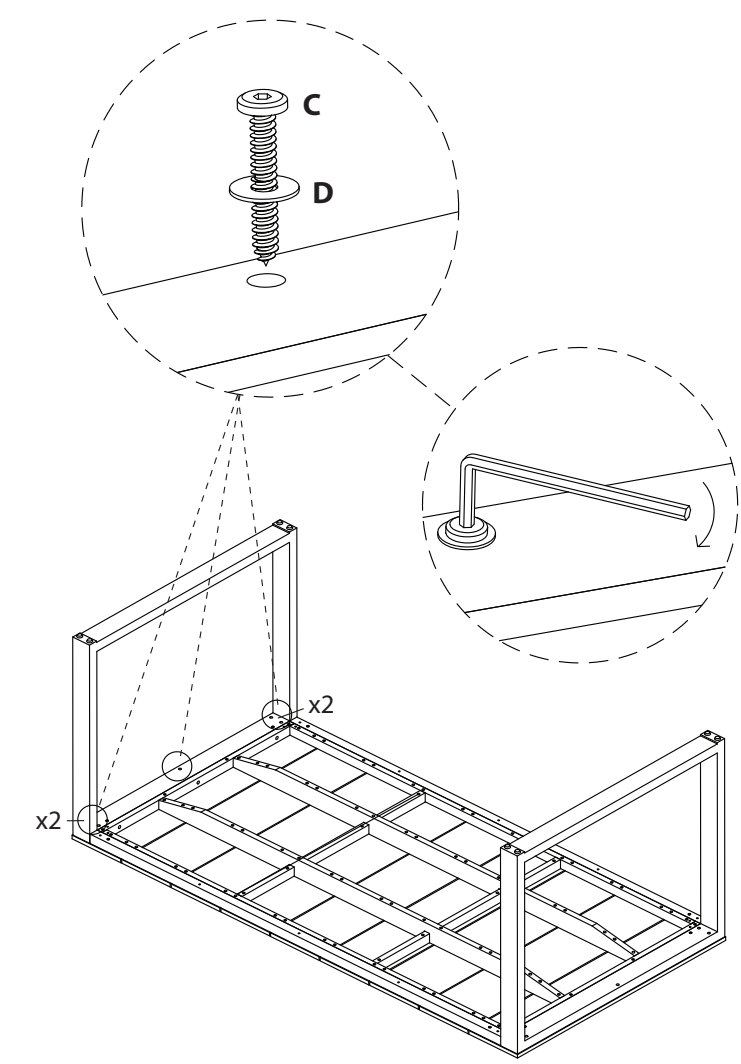
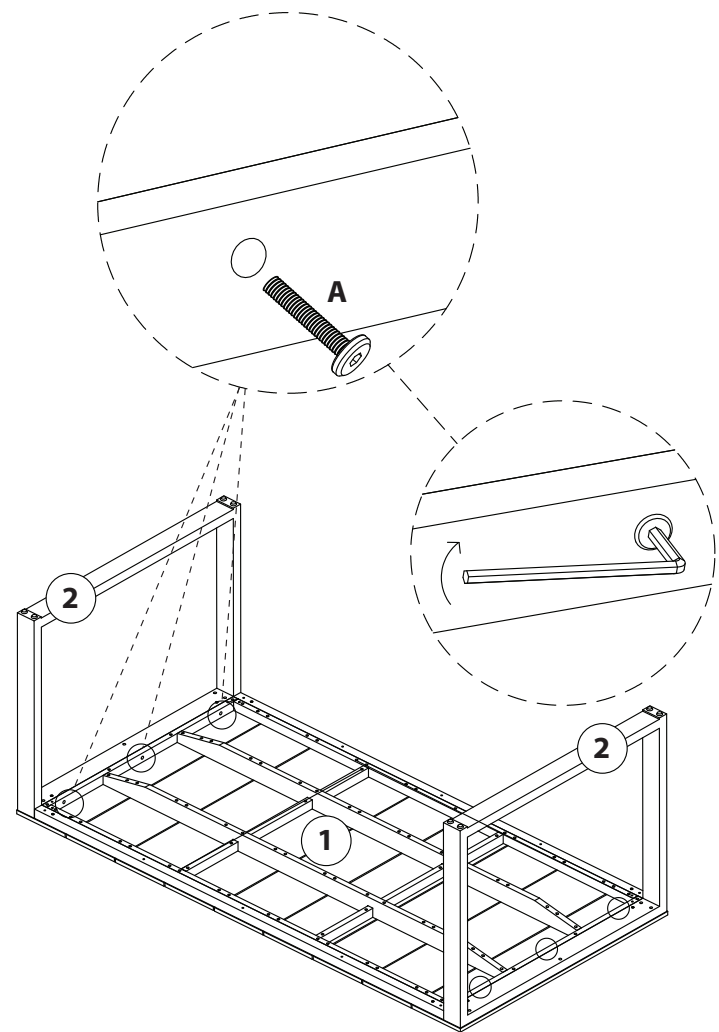
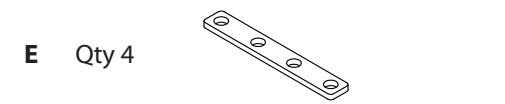
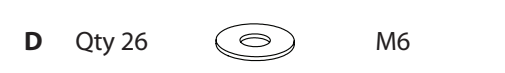
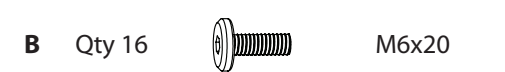
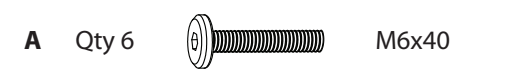
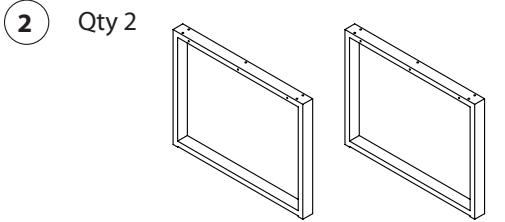
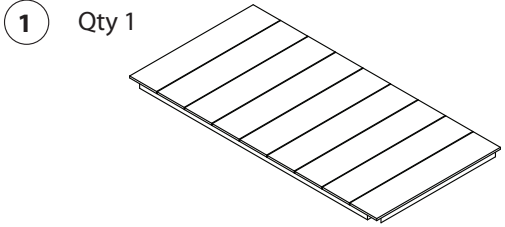


Assembly Instructions

Jersey Dining Table

To avoid injury and damage to the table, 2 people are required to turn the table the correct way and at all times when moving the table.



- Remove all components from the box
- Remove all packaging material and place components on the carton box or a soft, clean surface to protect from scratching.



Assembly Instructions

Jersey Dining Table

To avoid injury and damage to the table, 2 people are required to turn the table the correct way and at all times when moving the table.

