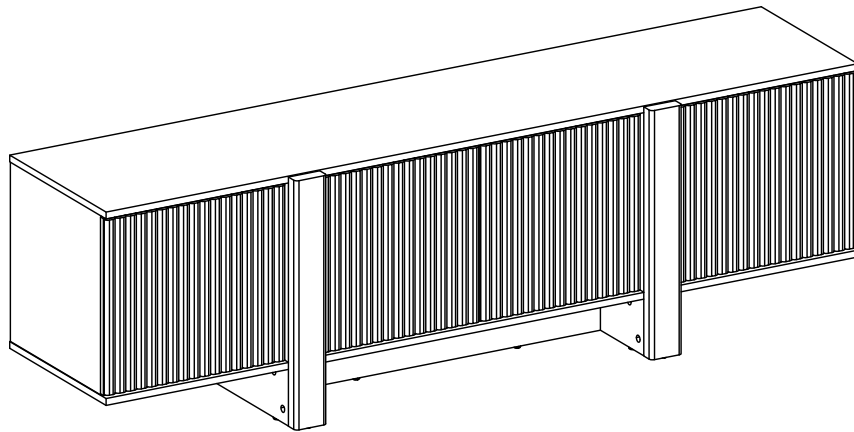


Assembly Instructions

FLYNN TV STAND 180



MAXIMUM WEIGHT CAPACITY OF THIS UNIT IS 30 KG.

Please read the Assembly Instructions carefully
before assembling.

Imported by Sourcebynet Australia Pty Ltd.

Important safety instructions

DANGER!

Children have died from furniture tip over.

Toppling Hazard Warning

- ALWAYS secure television with an anchor device
- ALWAYS secure this furniture with an anchor device
- For safety reasons, we recommend you follow the provided instructions
- When installed properly, the provided hardware may prevent the unit from tipping over unexpectedly.
- Never let children climb or hang on drawers, doors or shelves.
- NEVER open more than one drawer at a time
- Place heavy items down low
- For advice on suitable fastening devices, contact your local specialized dealer



WARNING

FAILURE TO FOLLOW THESE BASIC STEPS CAN LEAD TO DAMAGE THAT IS NOT COVERED BY YOUR WARRANTY

1. Read Instructions carefully. Check no parts are missing.
2. Lay out all of the components on a soft surface as if you were preparing to do a jigsaw puzzle.
3. Carefully identify each component , especially those that are similar. The most common mistake is getting things back to front.
4. Separate and identify each component from the hardware pack and rest each one in its proper location before fastening.
5. **DO NOT** fully tighten screws (leave slightly loose). When the item is fully assembled tighten the screws - but do not over tighten.
6. Please assembly the product on clean, soft and level surface.

Warning: In order to prevent overturning this product must be used with the wall attachment device provided.

Daily Care :

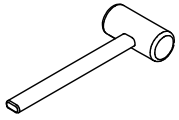
Water and other liquids can cause discoloration and damage to the surface. In case any liquids are spilled on the surface, remove immediately with a clean cloth. Avoid rubbing the spilled liquid into the veneer, but wipe gently, using a clean, firmly wrung damp cloth. If stains or marks persist, seek professional help and advice.

Woods expands and contracts according to the surrounding humidity and temperature. In case of temperature and humidity fluctuations, the wood might warp and/or crack. To avoid this, do not place the furniture near a radiator or in hot surroundings.

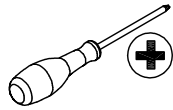
Take care when moving the furniture across the floor. Do not drag the furniture, as this can cause damage to both the furniture and the floor.

What you need

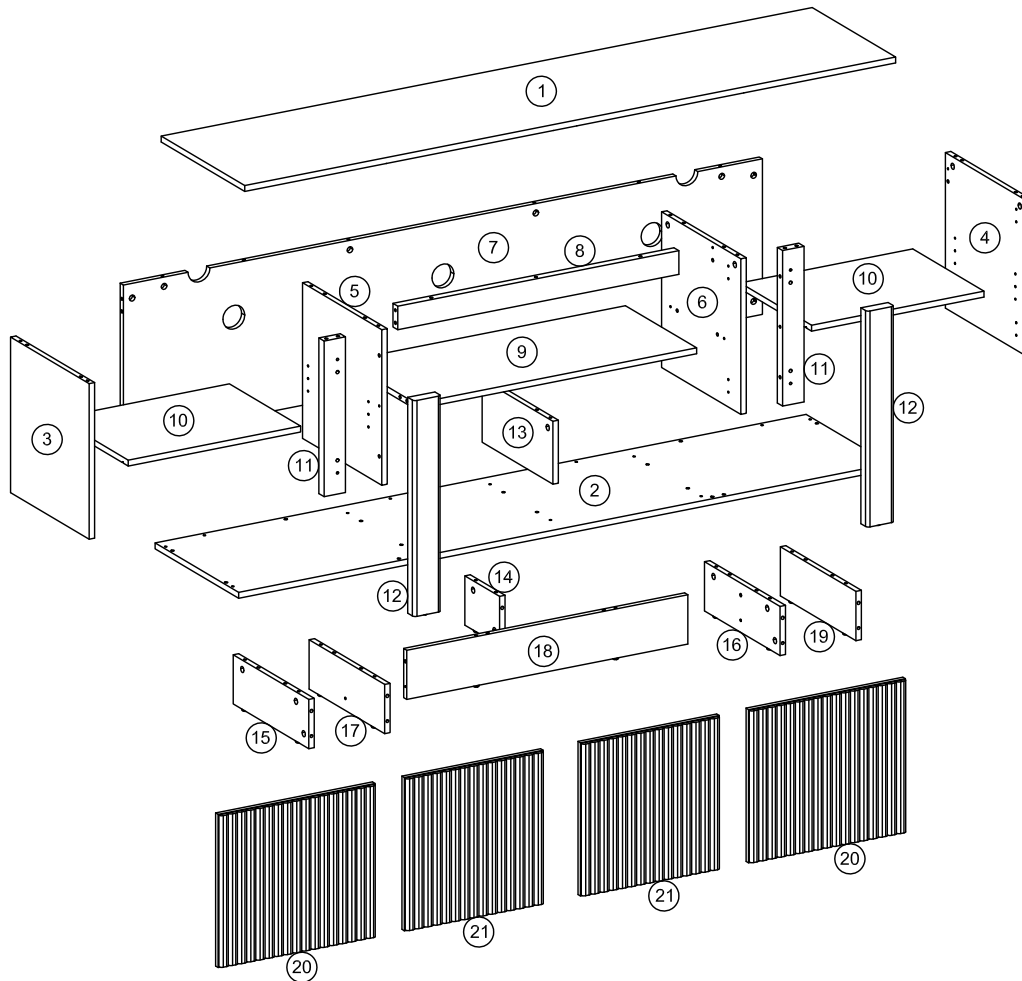
To assemble the product








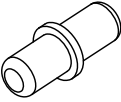



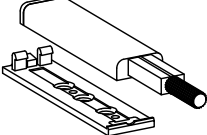
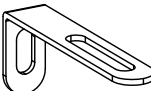

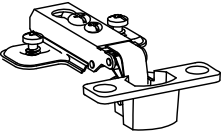

Mallet



Phillips Screw driver

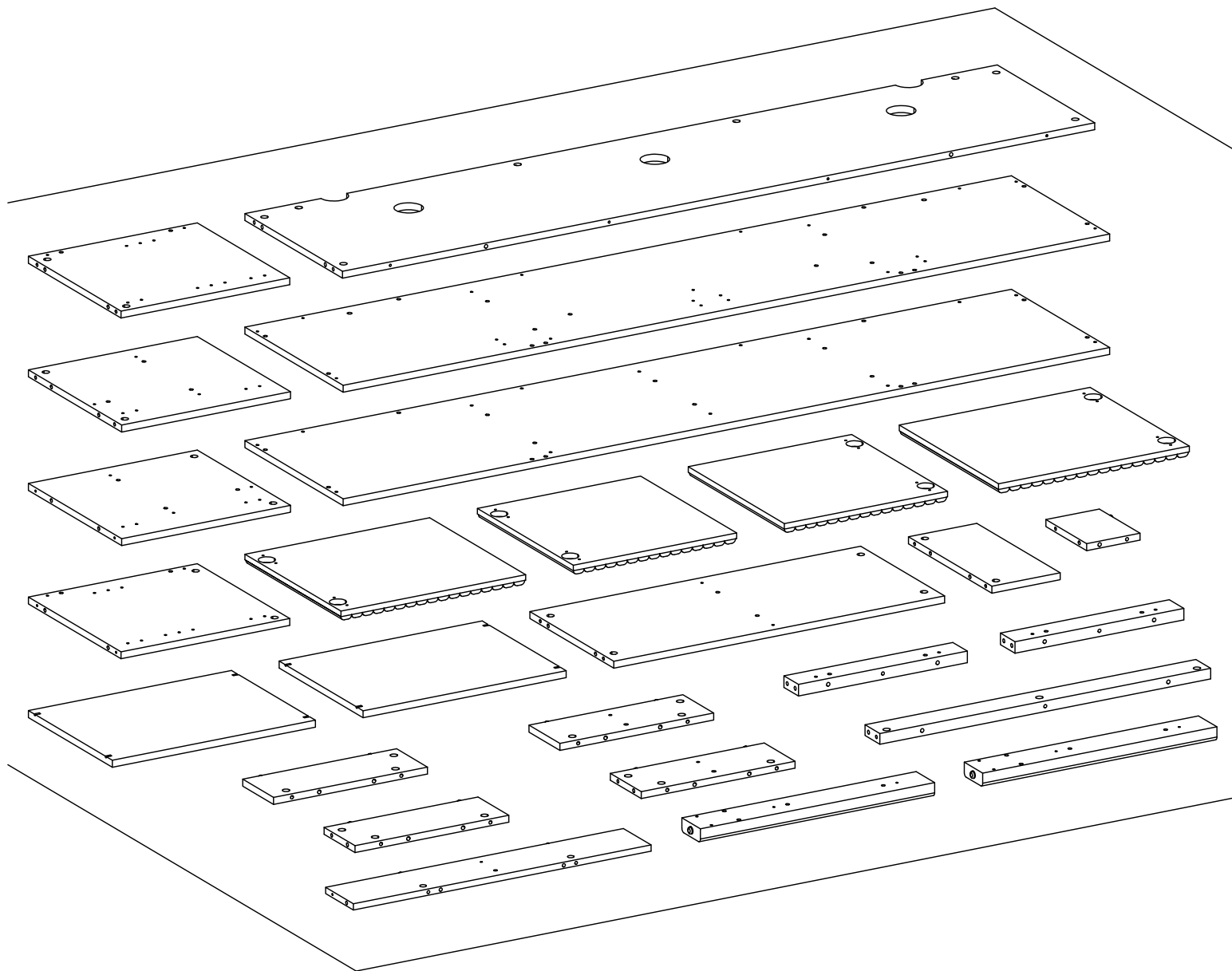


NO.	PART LIST	QTY	NO.	PART LIST	QTY
(1)	Top Panel	1	(12)	Front Pillar	2
(2)	Bottom Panel	1	(13)	Divider Middle Panel	1
(3)	Left Panel	1	(14)	Middle Leg	1
(4)	Right Panel	1	(15)	Left Leg	1
(5)	Divider Left Panel	1	(16)	Bottom Right Support	1
(6)	Divider Right Panel	1	(17)	Bottom Left Support	1
(7)	Rear Panel	1	(18)	Bottom Middle Support	1
(8)	Top Support	1	(19)	Right Leg	1
(9)	Fix Shelf	1	(20)	Side Door	2
(10)	Side Shelf	2	(21)	Middle Door	2
(11)	Pillar Support	2			

 <p>43 x Cam Lock Ø15x12mm (A)</p>	 <p>43 x Cam Bolt Ø7.5x32mm (B)</p>	 <p>43 x Cam Sticker Ø20mm (C)</p>	 <p>70 x Plastic Dowel Ø8x32mm (D)</p>
 <p>20 x Screw Ø10x33.5mm (E)</p>	 <p>8 x Shelfpin (F)</p>	 <p>2 x Screw Ø6x10mm (G)</p>	 <p>8 x Screw Ø5x10mm (H)</p>
 <p>16 x Screw Ø4x10mm (I)</p>	 <p>4 x Push Latch (J)</p>	 <p>2 x Bracket (K)</p>	 <p>4 x Curve Door Hinge (L)</p>
 <p>4 x Straight Door Hinge (M)</p>	 <p>3 x Cable Holder (N)</p>		

Please make sure you have all these parts before you start.




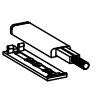
Step 1



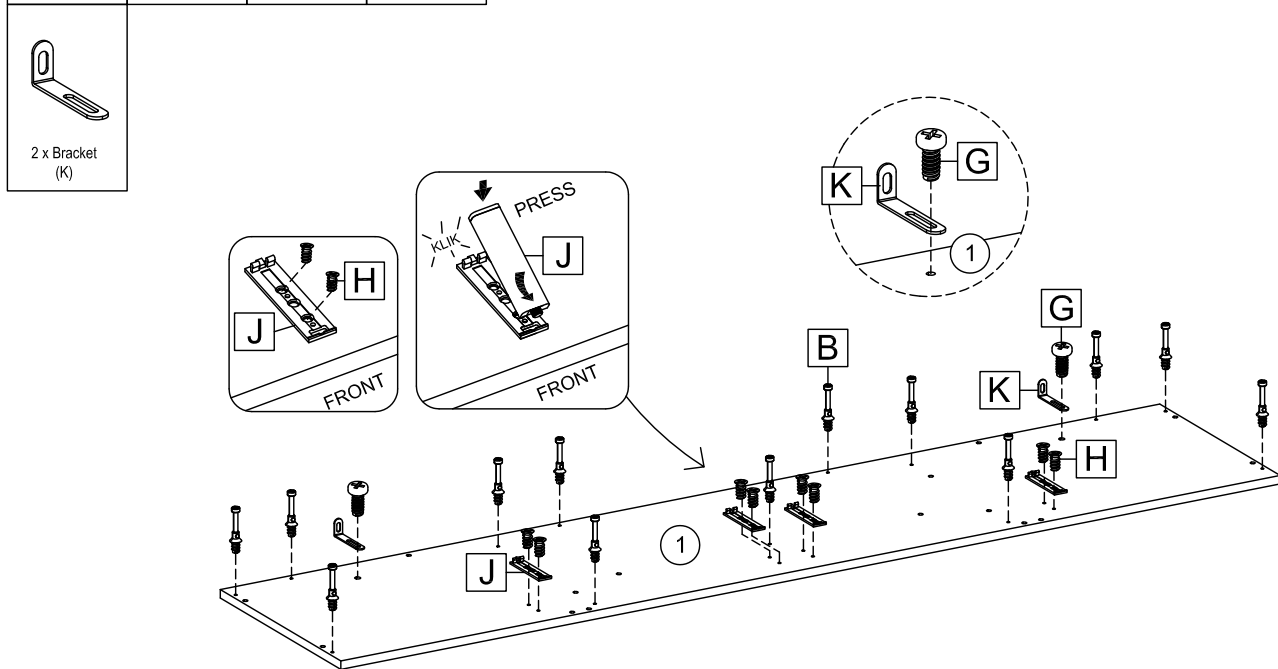
ALWAYS lay each panel down on a clean and level area ideally in the room of intended use, ensuring there is enough room to maneuver around the item.

Please assembly the product on clean, soft and level surface.



Step 2

You will need			
			
13 x Cam Bolt (B)	2 x Screw (G)	8 x Screw (H)	4 x Push Latch (J)

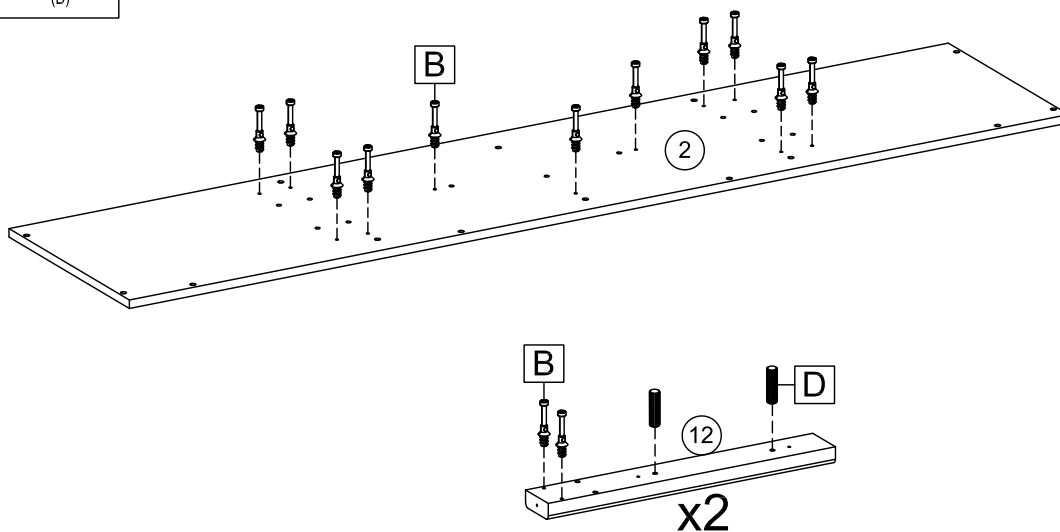
Screw 13 x Cam Bolts (B) into Top Panel (1).
Attach 2 x Brackets (K) using 2 x Screws (G).
Attach 4 x Push Latch (J) using 8 x Screws (H).



Step 3

You will need	
	
15 x Cam Bolt (B)	4 x Plastic Dowel (D)

Screw 15 x Cam Bolts (B) into Bottom Panel (2) and 2 x Front Pillar (12).
Insert 4 x Plastic Dowel (D) into 2 x Front Pillar (12).
If necessary, gently tap the Plastic dowels with a mallet.



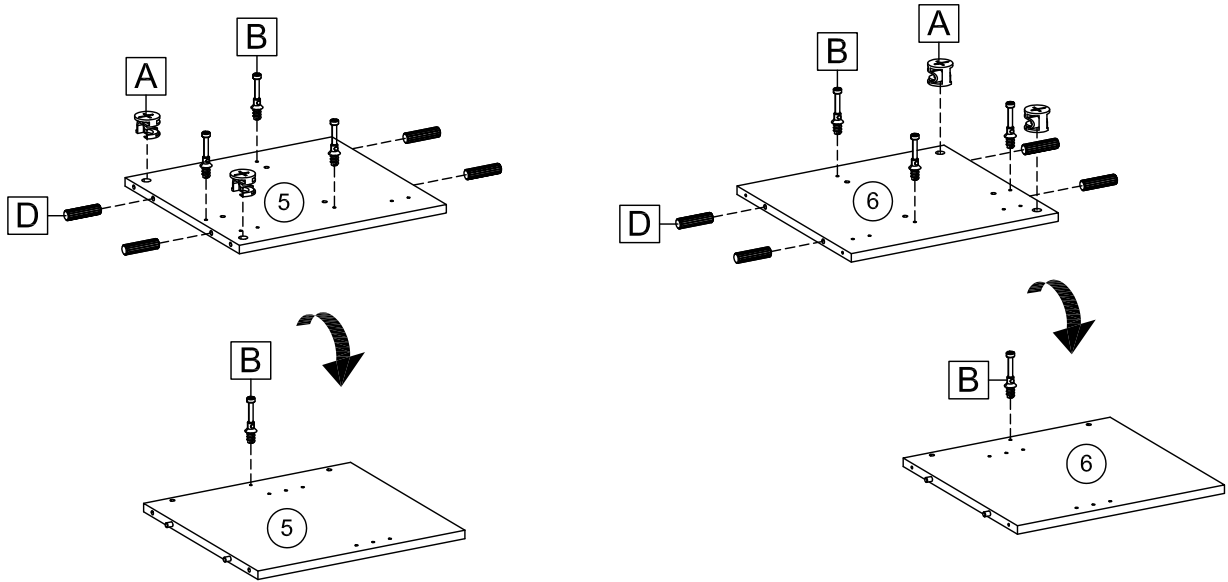
Step 4

You will need		
4 x Cam Lock (A)	8 x Cam Bolt (B)	8 x Plastic Dowel (D)

Screw 6 x Cam Bolts (B) into Divider Left Panel (5) and Divider Right Panel (6).

Insert 4 x Cam Lock (A) and 8 x Plastic Dowels (D) into Divider Left Panel (5) and Divider Right Panel (6). If necessary, gently tap the Plastic dowels with a mallet.

Flip the boards 180°, then screw another 2 x Cam Bolts (B) into Divider Left Panel (5) and Divider Right Panel (6).



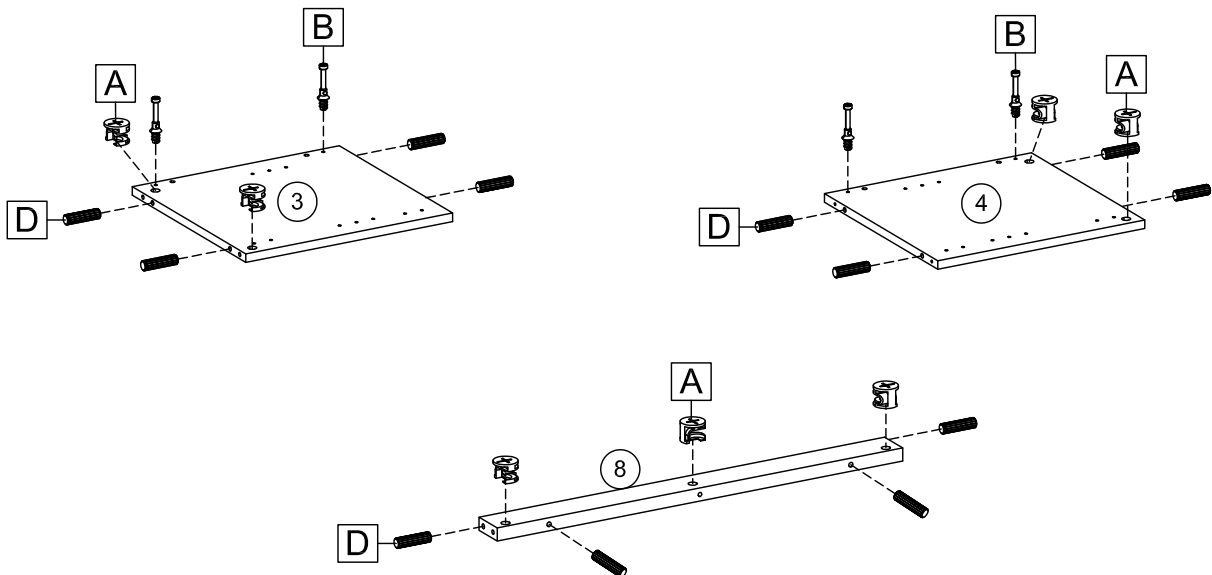
Step 5

You will need		
7 x Cam Lock (A)	4 x Cam Bolt (B)	12 x Plastic Dowel (D)



Screw 4 x Cam Bolts (B) into Left Panel (3) and Right Panel (4).

Insert 7 x Cam Lock (A) and 12 x Plastic Dowels (D) into Left Panel (3), Right Panel (4) and Top Support (8).

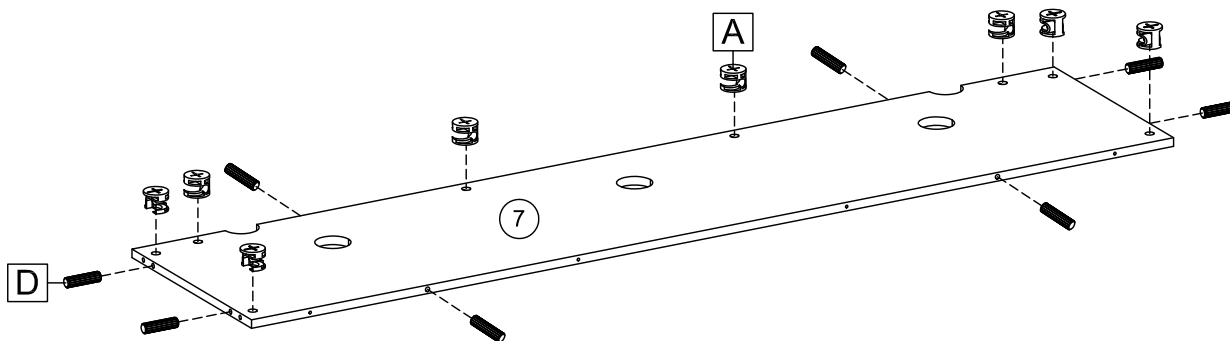
If necessary, gently tap the Plastic dowels with a mallet.






Step 6

You will need	
	
8 x Cam Lock (A)	8 x Plastic Dowel (D)

Insert 8 x Cam Lock (A) and 8 x Plastic Dowels (D) into Rear panel (7).
If necessary, gently tap the Plastic dowels with a mallet.



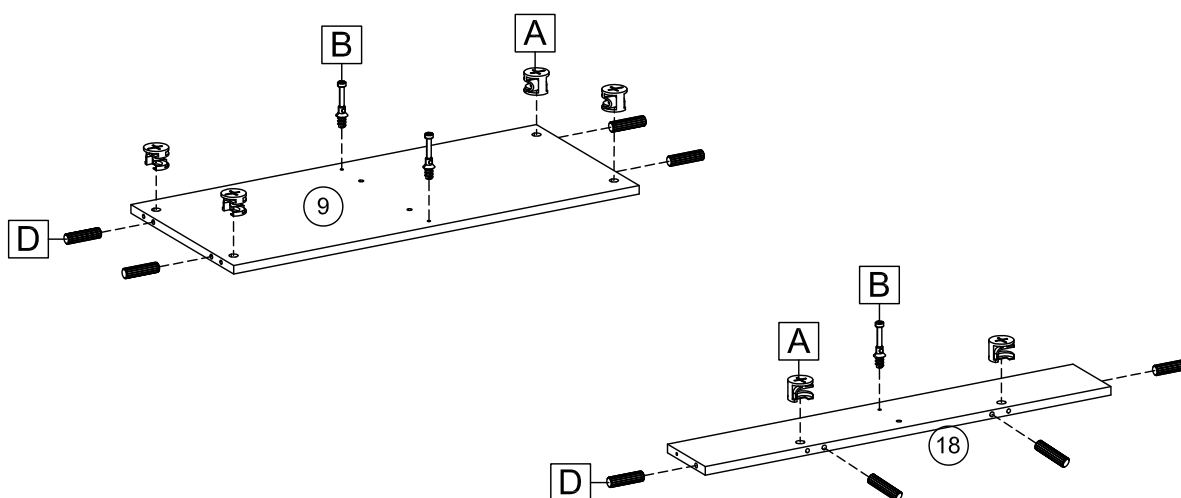
Step 7

You will need		
		
6 x Cam Lock (A)	3 x Cam Bolt (B)	8 x Plastic Dowel (D)



Screw 3 x Cam Bolts (B) into Fix Shelf (9) and Bottom Middle Support (18).

Insert 6 x Cam Lock (A) and 8 x Plastic Dowels (D) into Fix Shelf (9) and Bottom Middle Support (18).

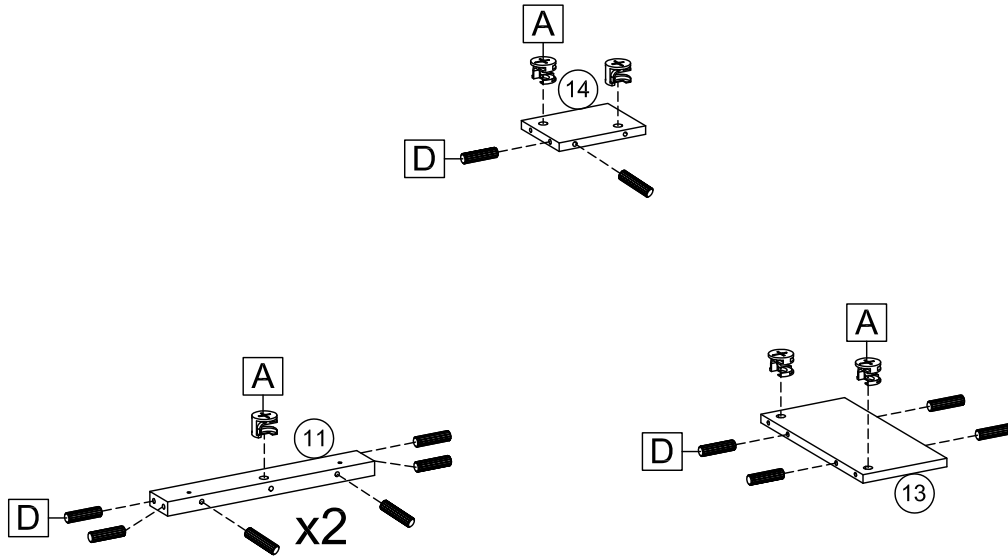
If necessary, gently tap the Plastic dowels with a mallet.





Step 8

You will need	
 6 x Cam Lock (A)	 18 x Plastic Dowel (D)

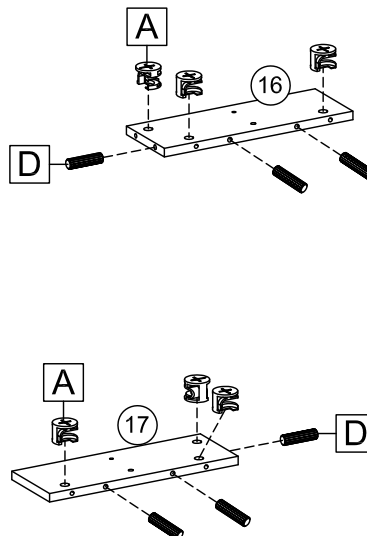
Insert 6 x Cam Lock (A) and 18 x Plastic Dowels (D) into 2 x Pillar Support (11), Divider Middle Panel (13) and Middle Leg (14).
If necessary, gently tap the Plastic dowels with a mallet.





Step 9

You will need	
 6 x Cam Lock (A)	 6 x Plastic Dowel (D)

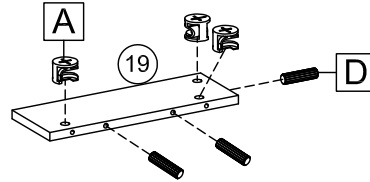
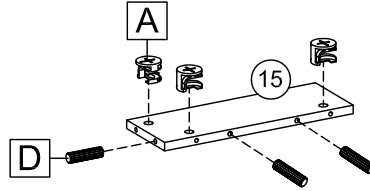
Insert 6 x Cam Lock (A) and 6 x Plastic Dowels (D) into Bottom Left Support (17) and Bottom Right Support (16).
If necessary, gently tap the Plastic dowels with a mallet.





Step 10

You will need	
	
6 x Cam Lock (A)	6 x Plastic Dowel (D)

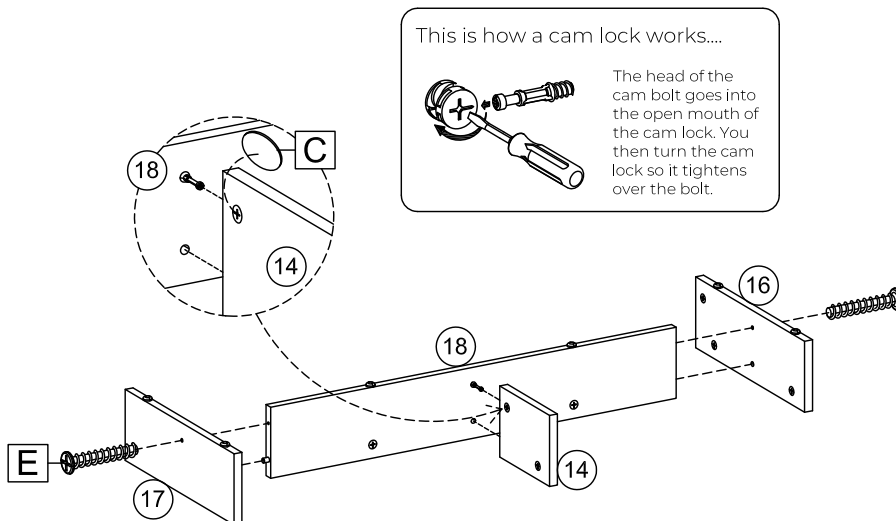
Insert 6 x Cam Lock (A) and 6 x Plastic Dowels (D) into Left Leg (15) and Right Leg (19).
If necessary, gently tap the Plastic dowels with a mallet.



Step 11

You will need	
	
1 x Cam Sticker (C)	2 x Screw (E)

Attach 1 x Bottom Left Support (17) and 1 x Bottom Right Support (16) to Bottom Middle Support (18) using 2 x Screw (E).
Attach Middle Leg (14) to Bottom Middle Support (18) as shown.
Use a screwdriver to turn the Cam lock clockwise to lock.
Paste 1 x Cam Sticker (C) as shown.



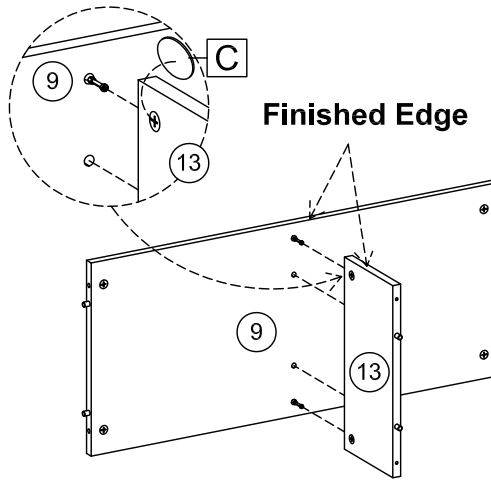
Step 12

You will need

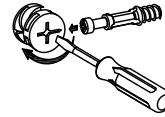


2 x Cam Sticker
(C)

Attach Divider Middle Panel (13) to Fix Shelf (9) as shown.
Use a screwdriver to turn the Cam lock clockwise to lock.
Paste 2 x Cam Sticker (C) as shown.



This is how a cam lock works...



The head of the cam bolt goes into the open mouth of the cam lock. You then turn the cam lock so it tightens over the bolt.

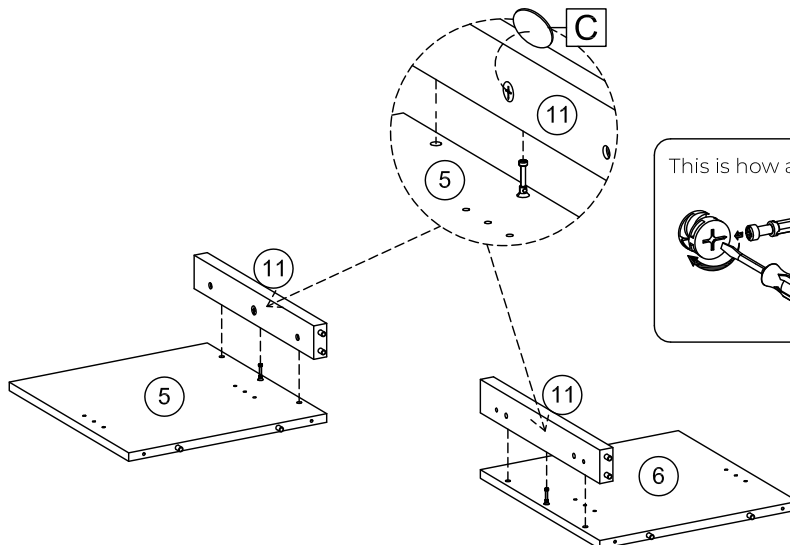
Step 13

You will need

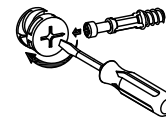


2 x Cam Sticker
(C)

Attach 2 x Pillar Support (11) to Divider Left Panel (5) and Divider Right Panel (6) as shown.
Use a screwdriver to turn the Cam lock clockwise to lock.
Paste 2 x Cam Sticker (C) as shown.



This is how a cam lock works...



The head of the cam bolt goes into the open mouth of the cam lock. You then turn the cam lock so it tightens over the bolt.

Step 14

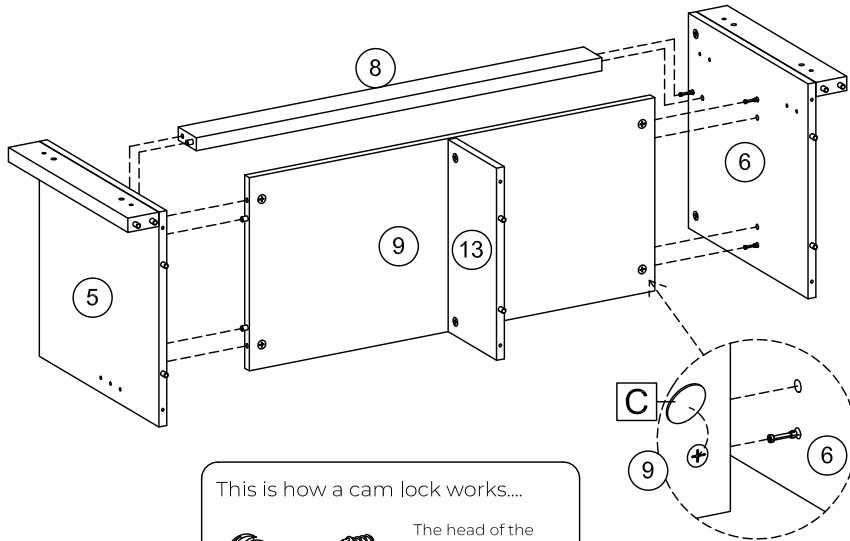
You will need



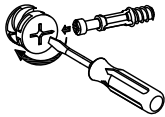
6 x Cam Sticker (C)

Attach Divider Left Panel (5) and Divider Right Panel (6) to Top Support (8) and Fix Shelf (9) as shown.

Use a screwdriver to turn the Cam lock clockwise to lock.
Paste 6 x Cam Sticker (C) as shown.



This is how a cam lock works....



The head of the cam bolt goes into the open mouth of the cam lock. You then turn the cam lock so it tightens over the bolt.

Step 15

You will need

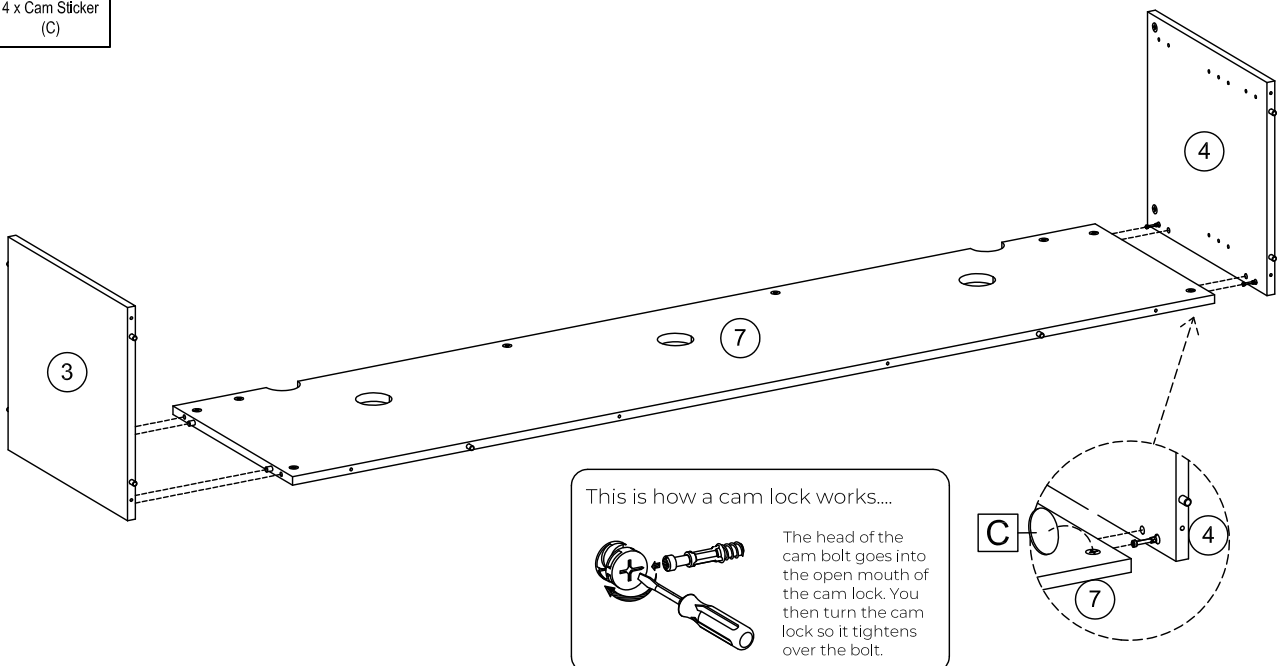


4 x Cam Sticker (C)

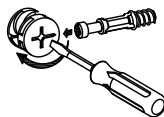
Attach Left Panel (3) and Right Panel (4) to Rear Panel (7) as shown.

Use a screwdriver to turn the Cam lock clockwise to lock.

Paste 4 x Cam Sticker (C) as shown.



This is how a cam lock works....



The head of the cam bolt goes into the open mouth of the cam lock. You then turn the cam lock so it tightens over the bolt.

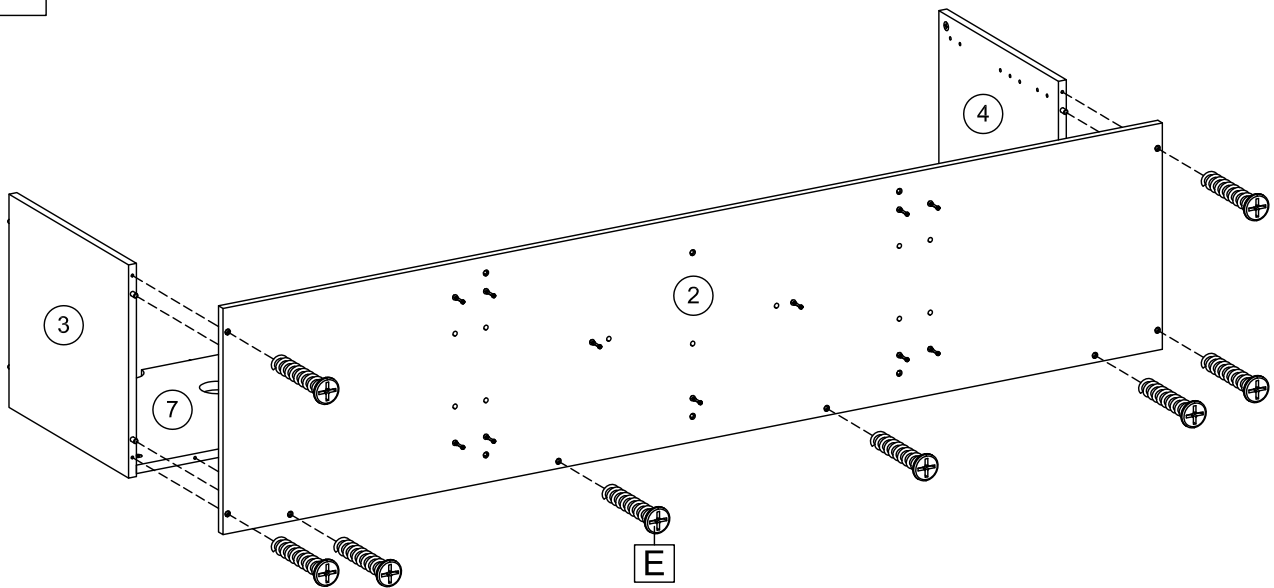
Step 16

You will need



8 x Screw
(E)

Attach Bottom Panel (2) to the case assembly using 8 x Screw (E).



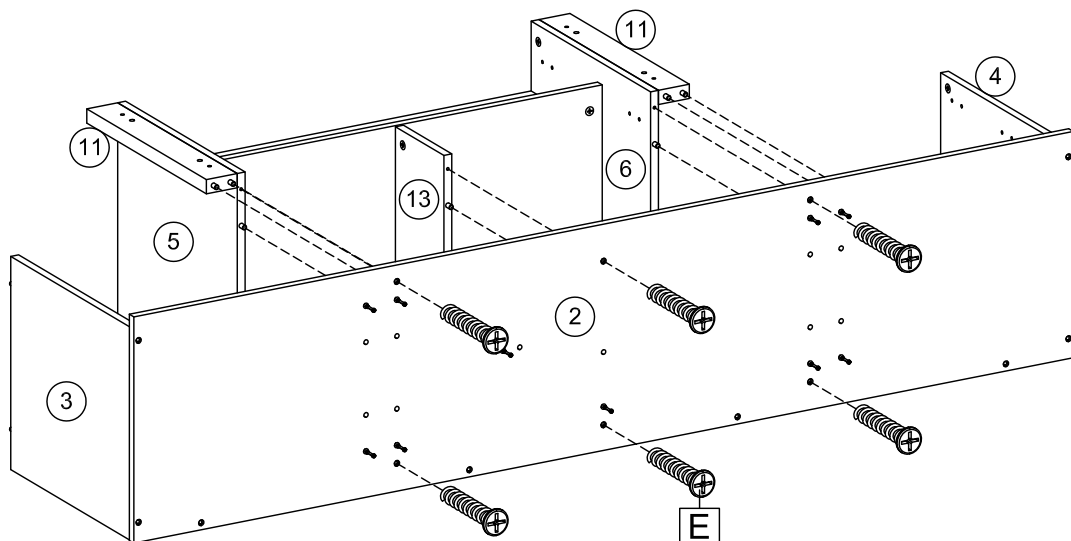
Step 17

You will need



6 x Screw
(E)

Attach Divider assembly to Bottom Panel (2) using 6 x Screw (E).



Step 18

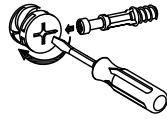
You will need



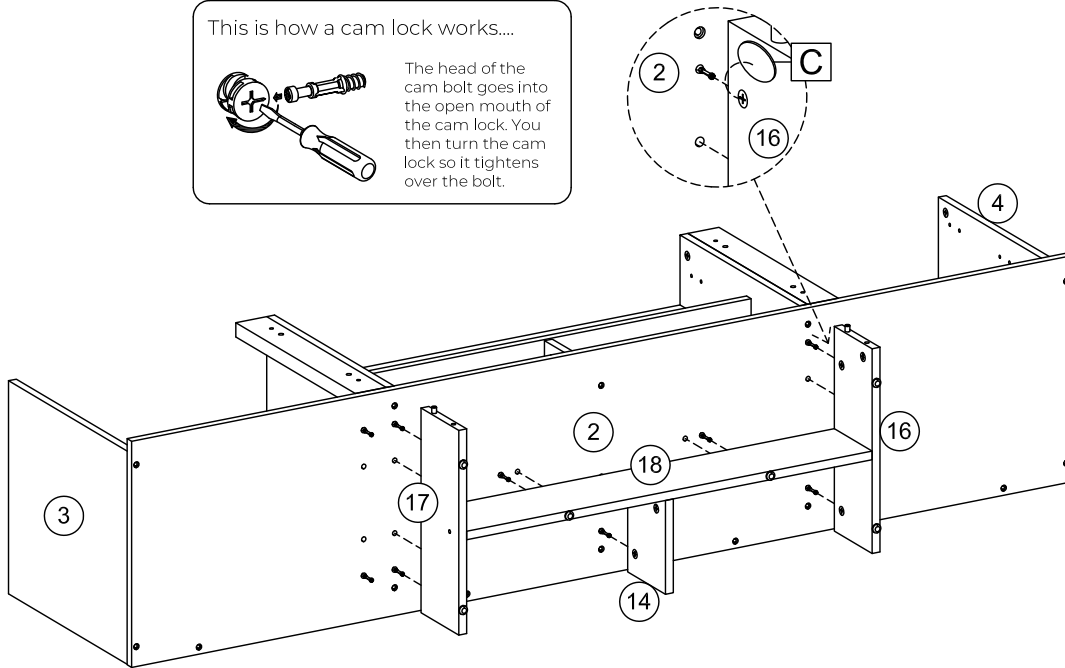
7 x Cam Sticker (C)

Attach Bottom Support Assembly to the case assembly as shown. Use a screwdriver to turn the Cam lock clockwise to lock. Paste 7 x Cam Sticker (C) as shown.

This is how a cam lock works....



The head of the cam bolt goes into the open mouth of the cam lock. You then turn the cam lock so it tightens over the bolt.



Step 19

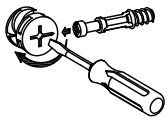
You will need



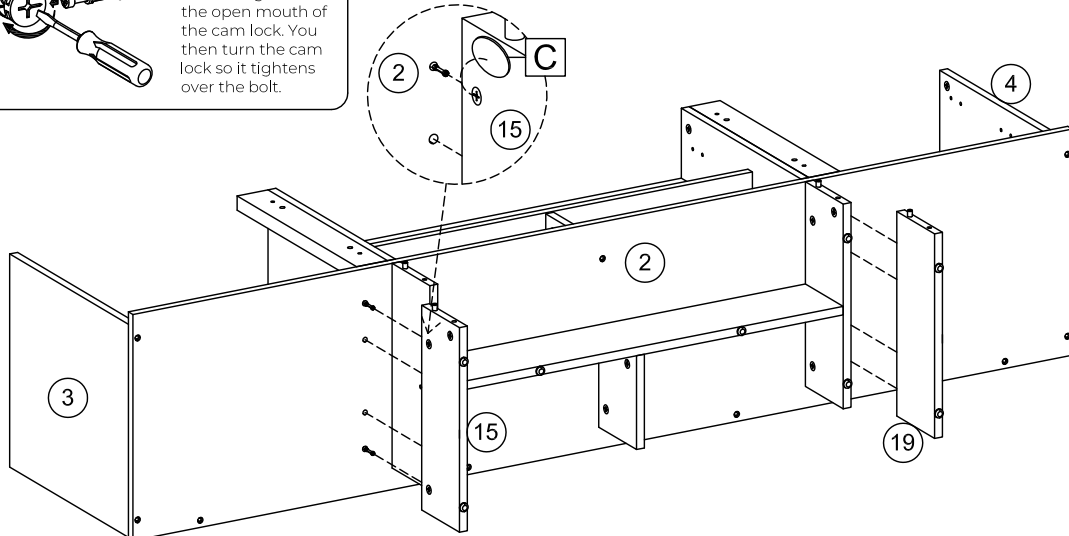
4 x Cam Sticker (C)

Attach Left Leg (15) and Right Leg (19) to the case assembly as shown. Use a screwdriver to turn the Cam lock clockwise to lock. Paste 4 x Cam Sticker (C) as shown.



This is how a cam lock works....



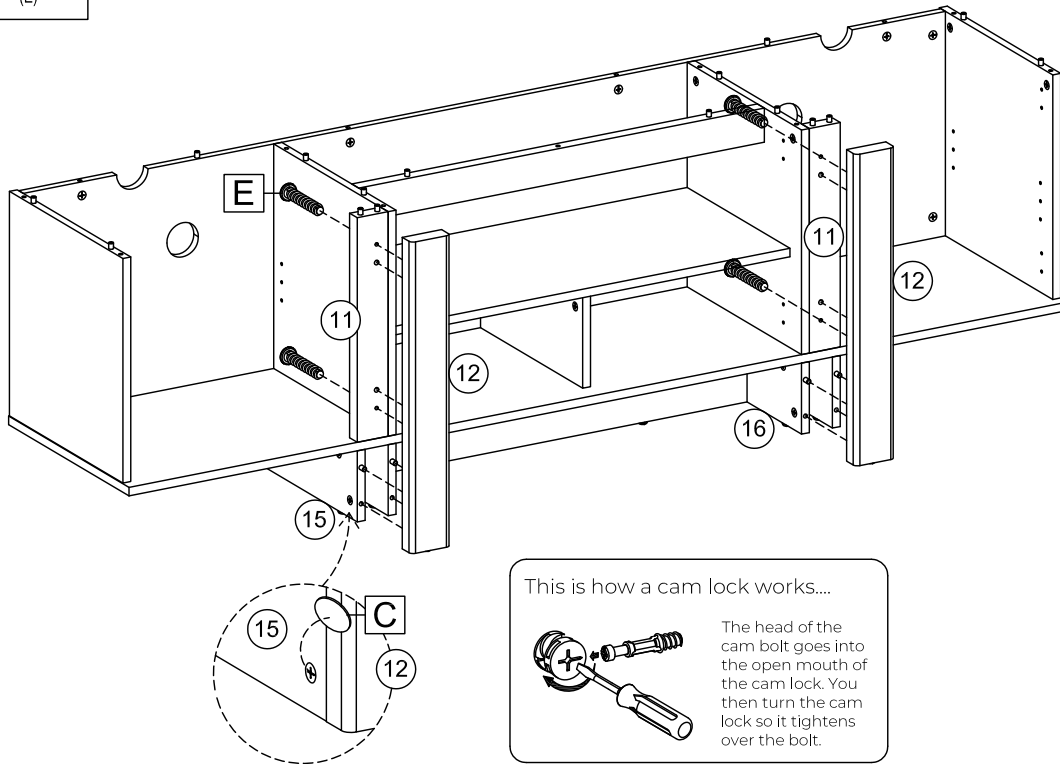
The head of the cam bolt goes into the open mouth of the cam lock. You then turn the cam lock so it tightens over the bolt.




Step 20

You will need	
	
4 x Cam Sticker (C)	4 x Screw (E)

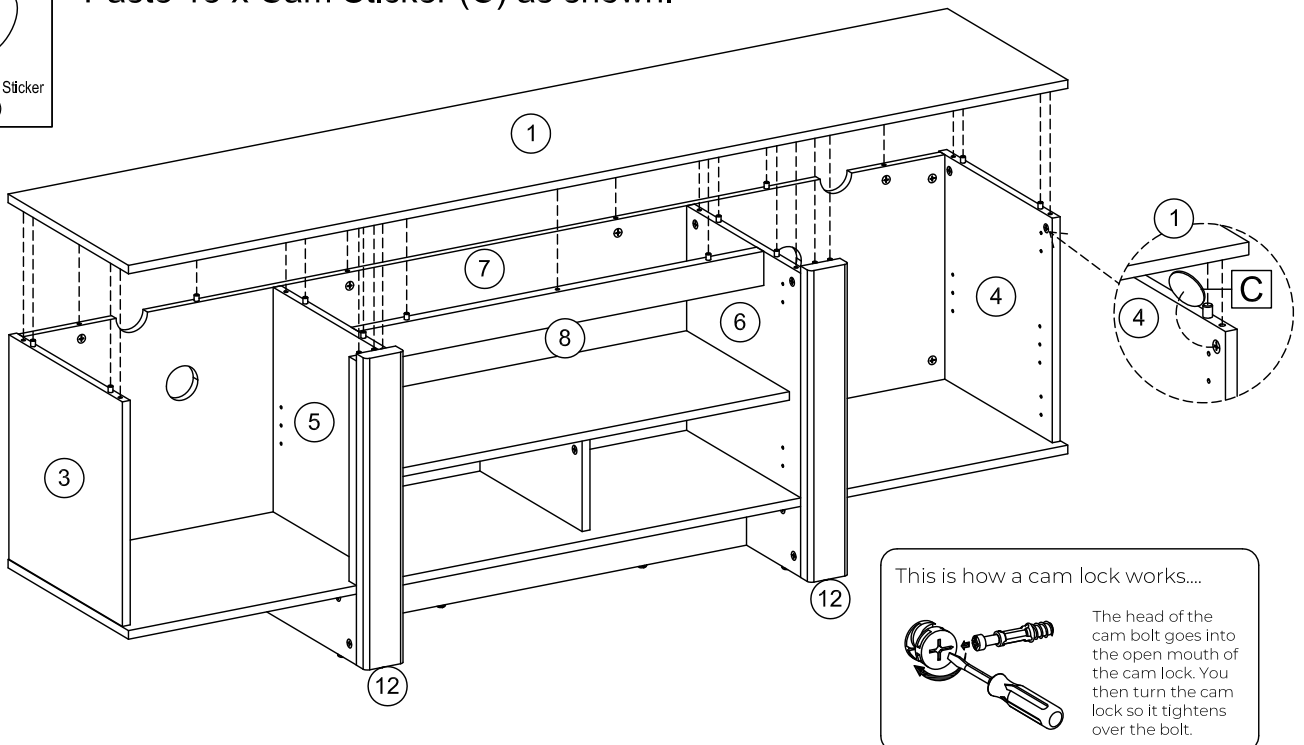
Attach 2 x Front Pillar (12) to the case assembly using 4 x Screw (E).
Use a screwdriver to turn the Cam lock clockwise to lock.
Paste 4 x Cam Sticker (C) as shown.



Step 21

You will need

13 x Cam Sticker (C)

Attach Top Panel (1) to the case assembly as shown.
Use a screwdriver to turn the Cam lock clockwise to lock.
Paste 13 x Cam Sticker (C) as shown.



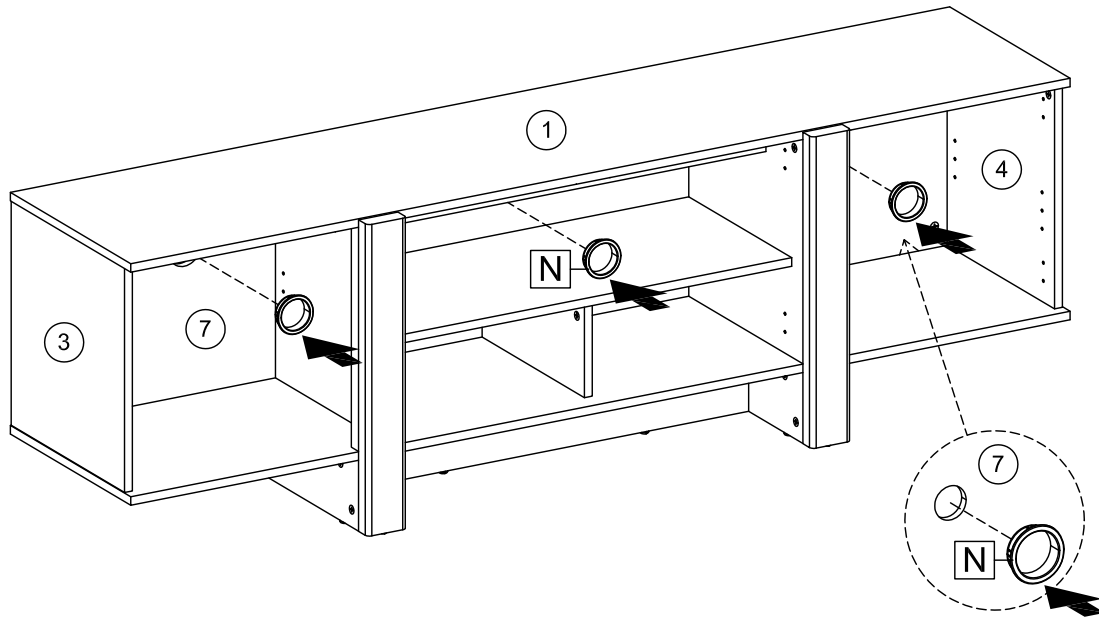
Step 22

You will need

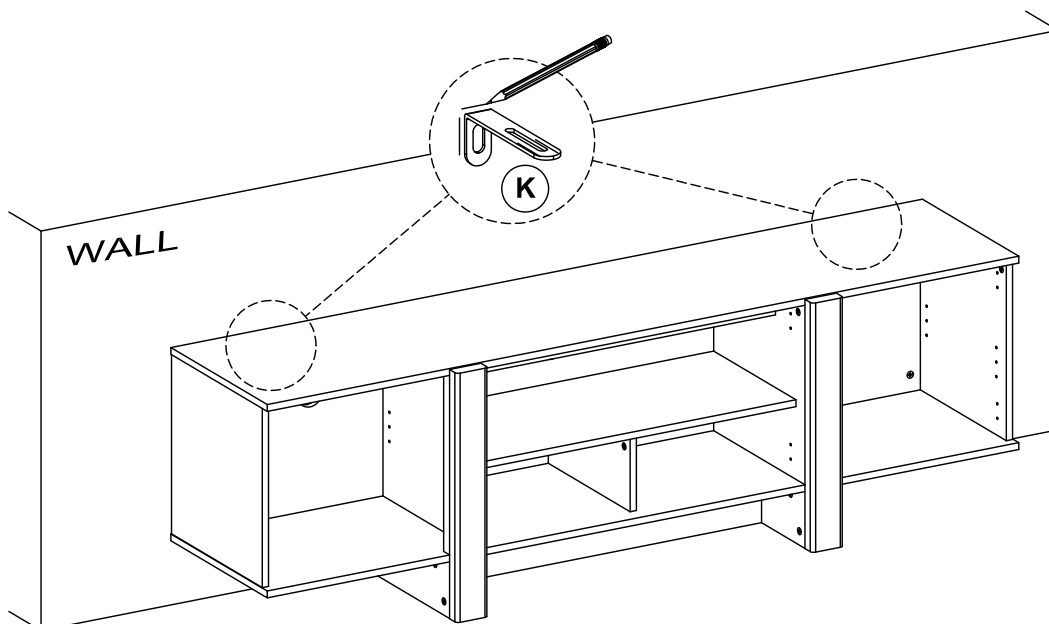


3 x Cable Holder
(N)

Attach Cable Holder (N) into case assembly as shown.

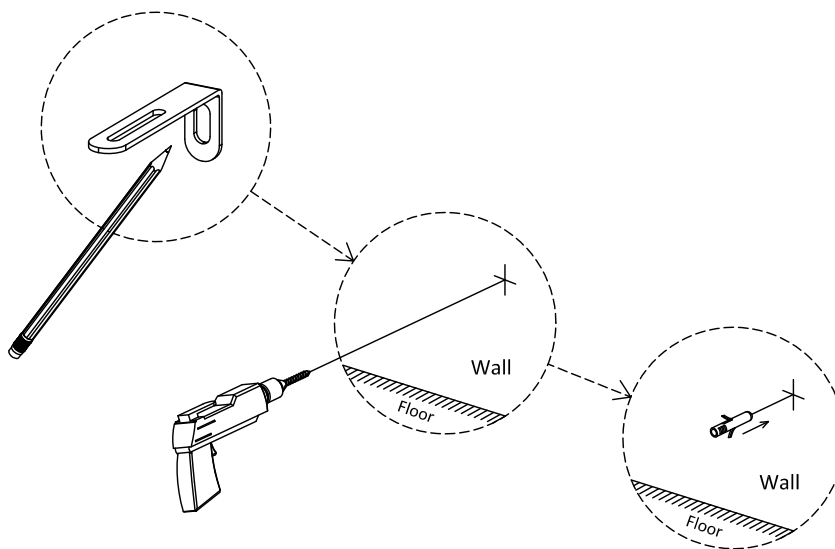


Step 23



Move the case assembly into its location of intended use next to a wall. The wall Bracket (K) may require some adjustment to fit correctly depending on any obstructions behind the sideboard such as skirting board, picture rails, etc. With a pencil lightly and precisely mark the position of the brackets on the wall. Now carefully move the cabinet away from the wall to allow space for drilling.

Step 24



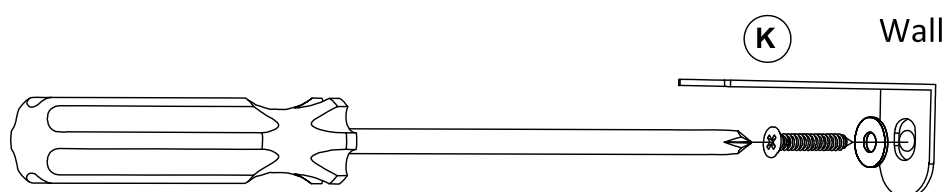
Reposition the wall bracket between the marks made on step (23) and mark with a pencil where the screw holes are going to be located. Before drilling, ensure the size of holes will be correct to fit the rawl plugs (not included).

Warning: Ensure the area to be drilled is free from hidden electrical wires, water and gas pipes.

Drill the holes according to the marked position. Push the rawl plugs (not included) into position as shown above.

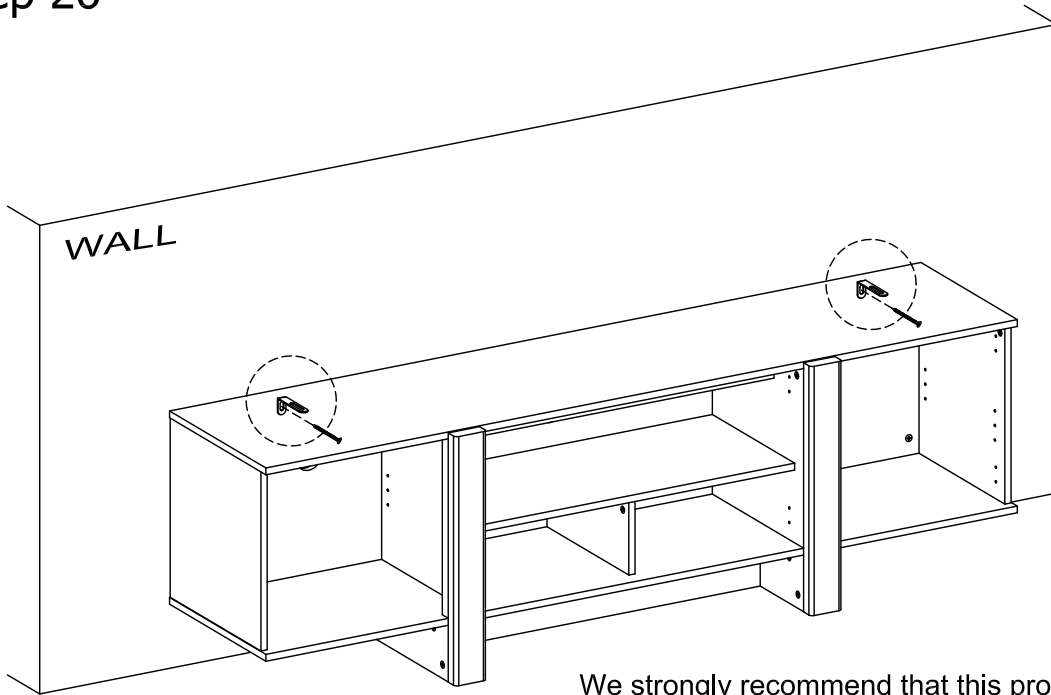
Step 25

Seek advice from a qualified trades person on how to attach this wall bracket to your specific wall.



Secure the wall bracket (K) to the wall using the washer (not included) and screw (not included). Tighten with the screwdriver.

Step 26



We strongly recommend that this product is permanently fixed to the wall or other suitable surface. Seek advice from a qualified trades person on how to attach this wall strap to your specific wall.

Screw and wall plug are not included.
Please use appropriate fixtures for your wall.
With assistance, move the product to the final position.
Attach the wall straps to the wall with the appropriate fixtures.
Make sure they are firmly attached and secure.

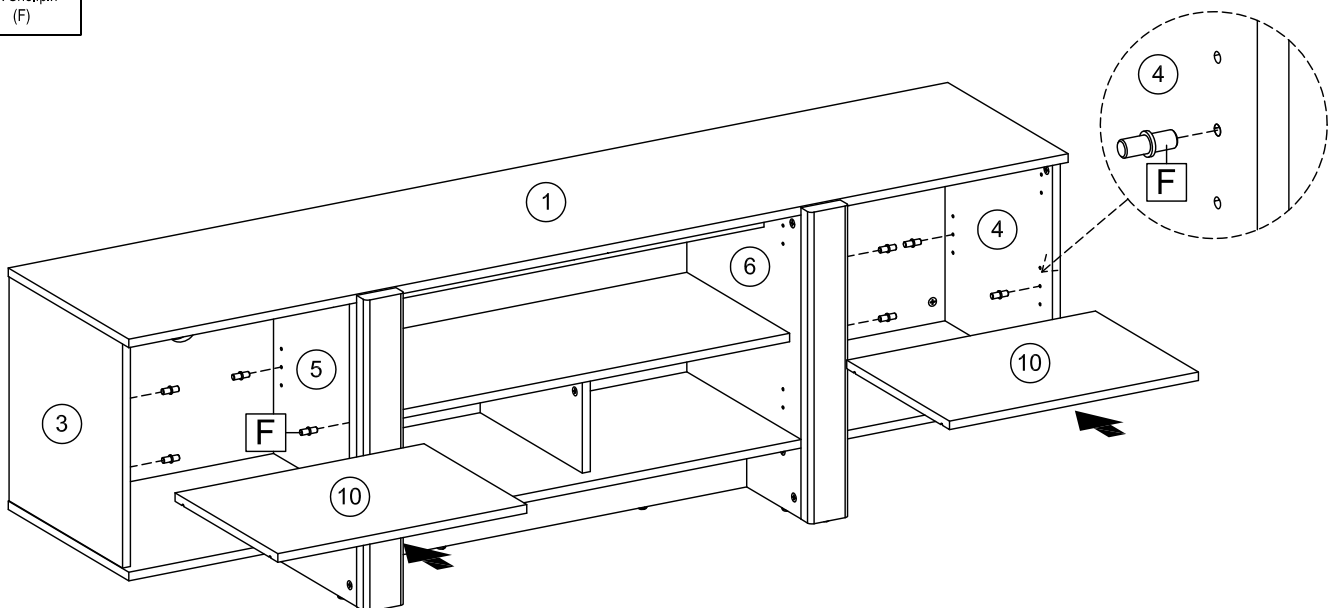
Step 27

You will need





8 x Shelfpin
(F)

Insert 8 x Shelfpin (F) into case assembly as shown.
Insert 2 x Side Shelf (10) into case assembly as shown.

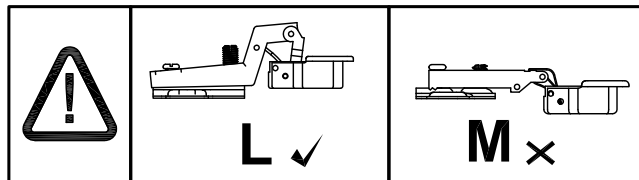
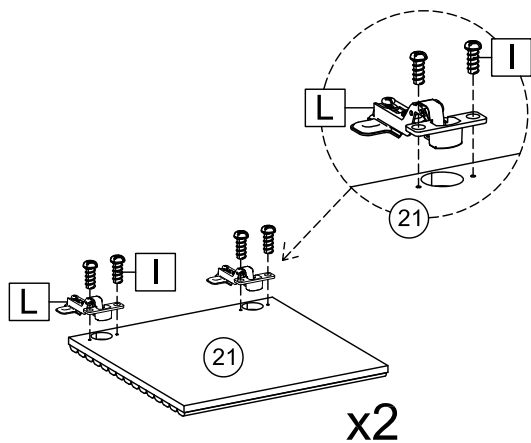


Step 28

You will need	
 8 x Screw (I)	 4 x Curve Door Hinge (L)

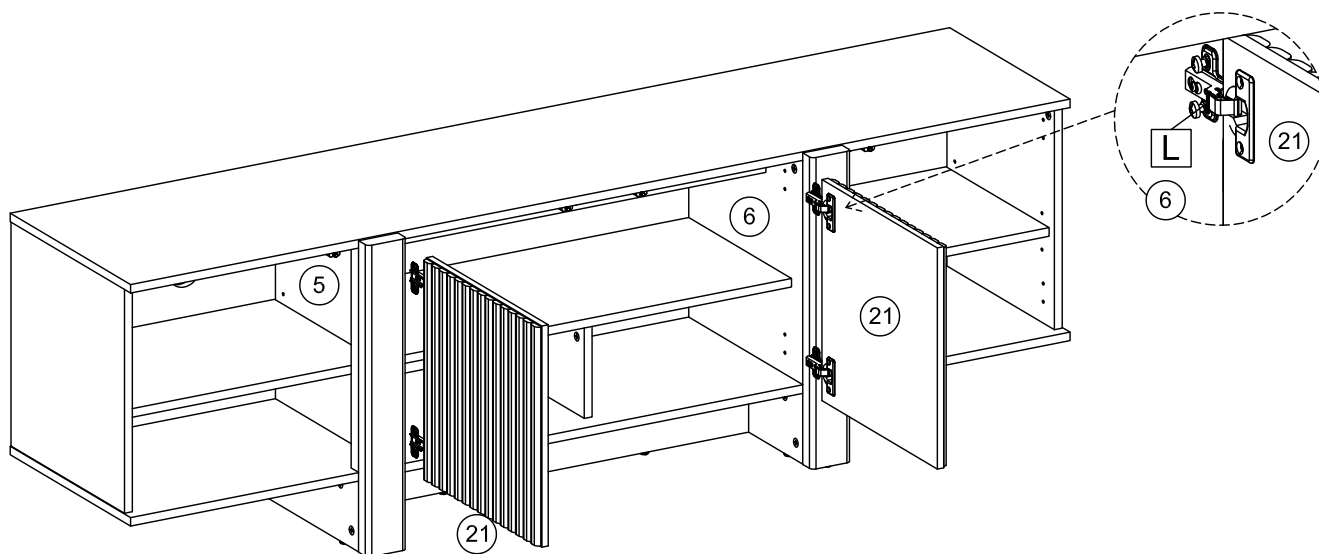
Install 4 x Curve Door Hinge (L) to 2 x Middle Door (21) using 8 x Screw (I).

Open Hinge pack with label "L"





Step 29

Tighten the prefix screw hinge to the body

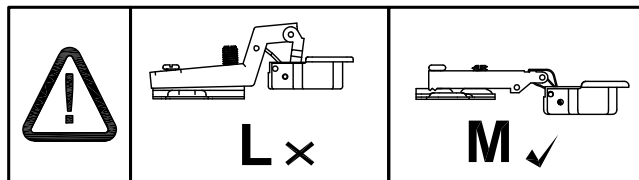
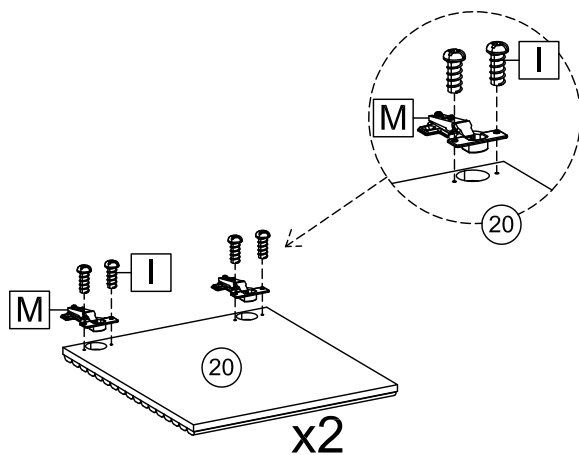


Step 30

You will need	
 8 x Screw (I)	 4 x Straight Door Hinge (M)

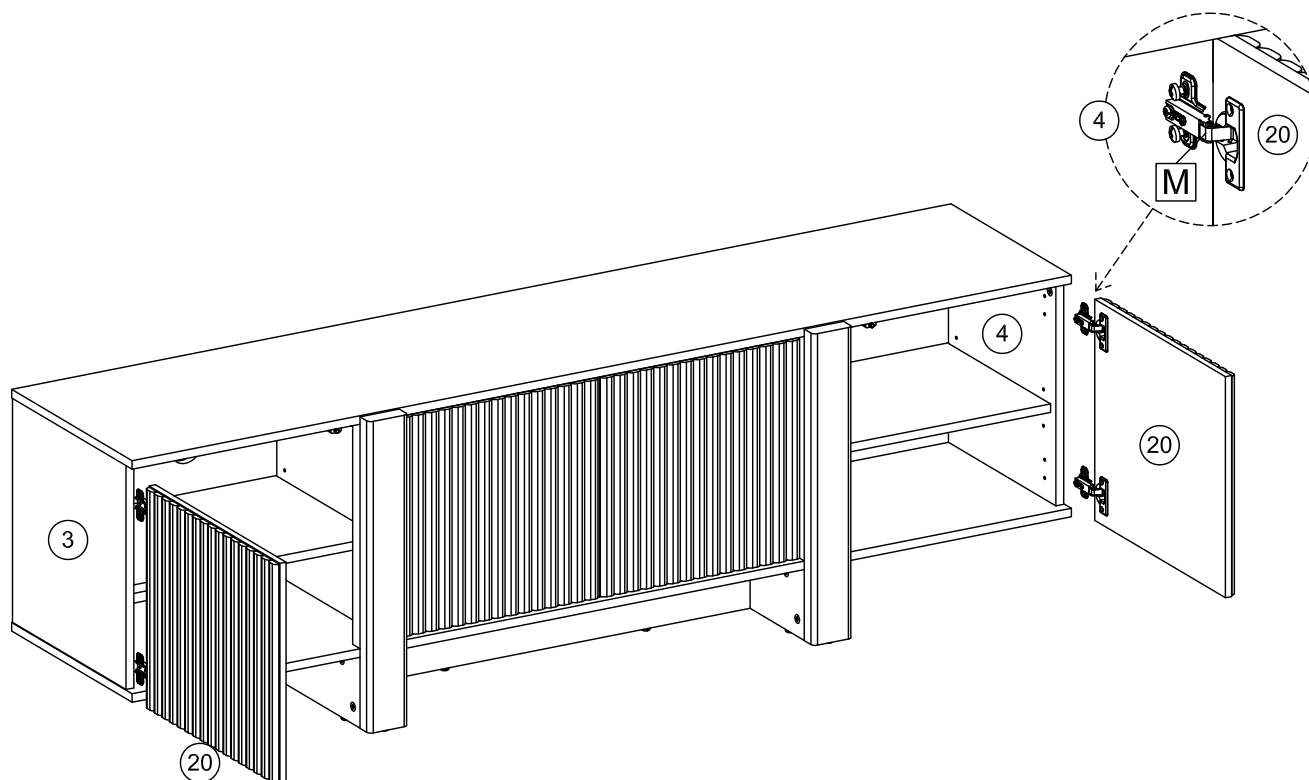
Install 4 x Straight Door Hinge (M) to 2 x Side Door (20) using 8 x Screw (I).

Open Hinge pack with label "M"



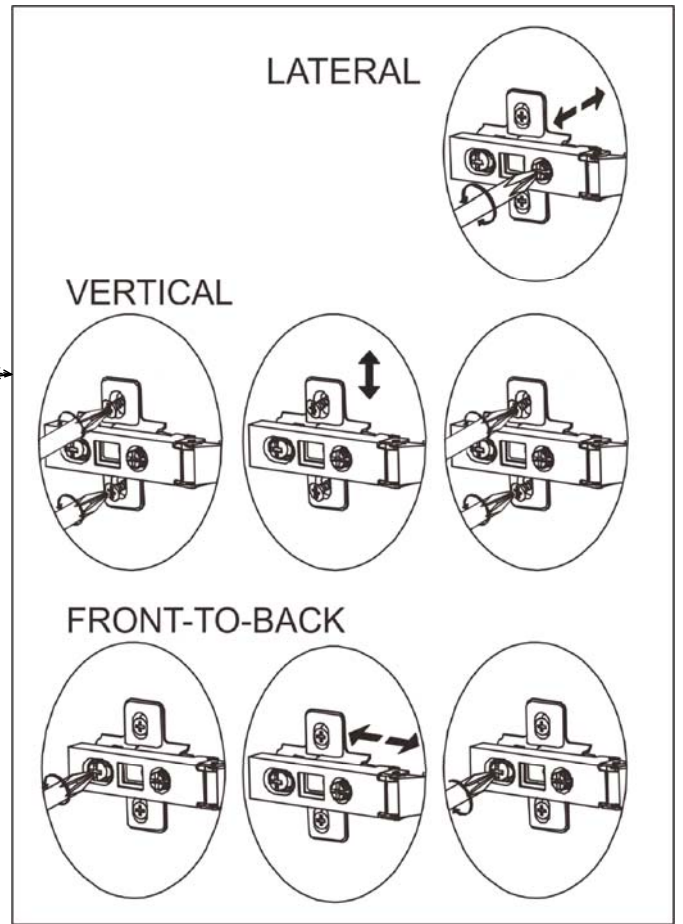
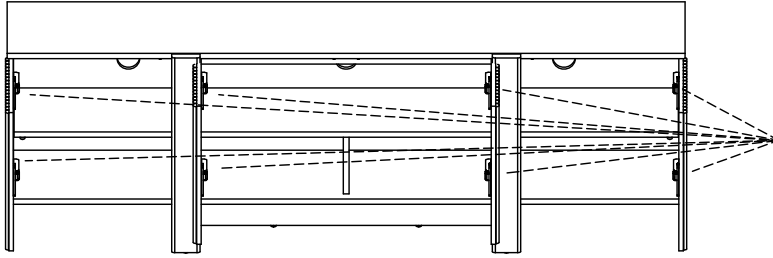
Step 31

Tighten the prefix screw hinge to the body



Step 32

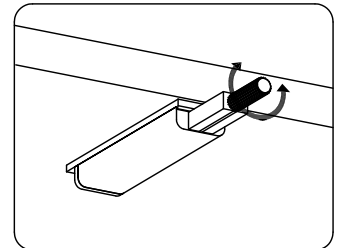
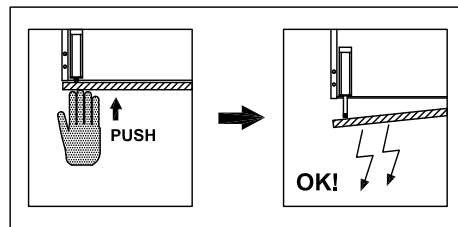
(Align doors and Adjust Hinge if Needed)



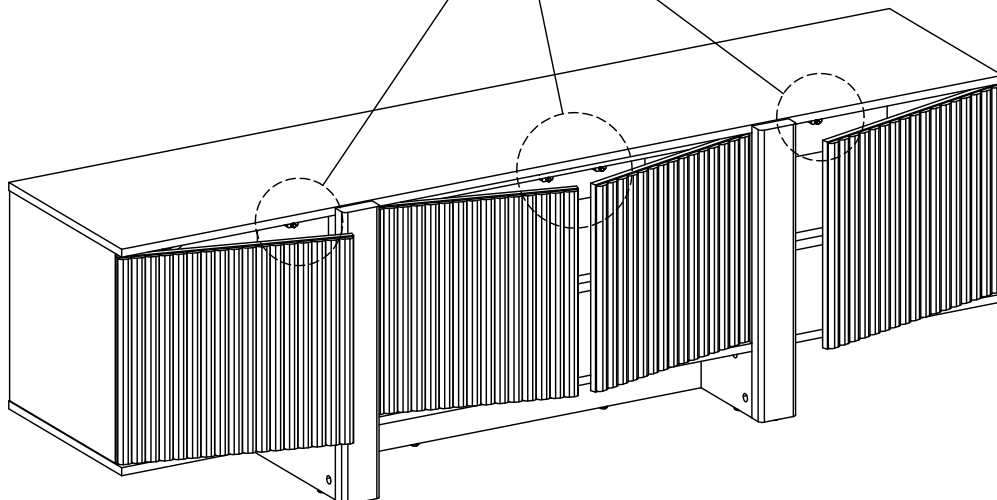
After assembly, the push to open latches may need to be adjusted if it does not work well.

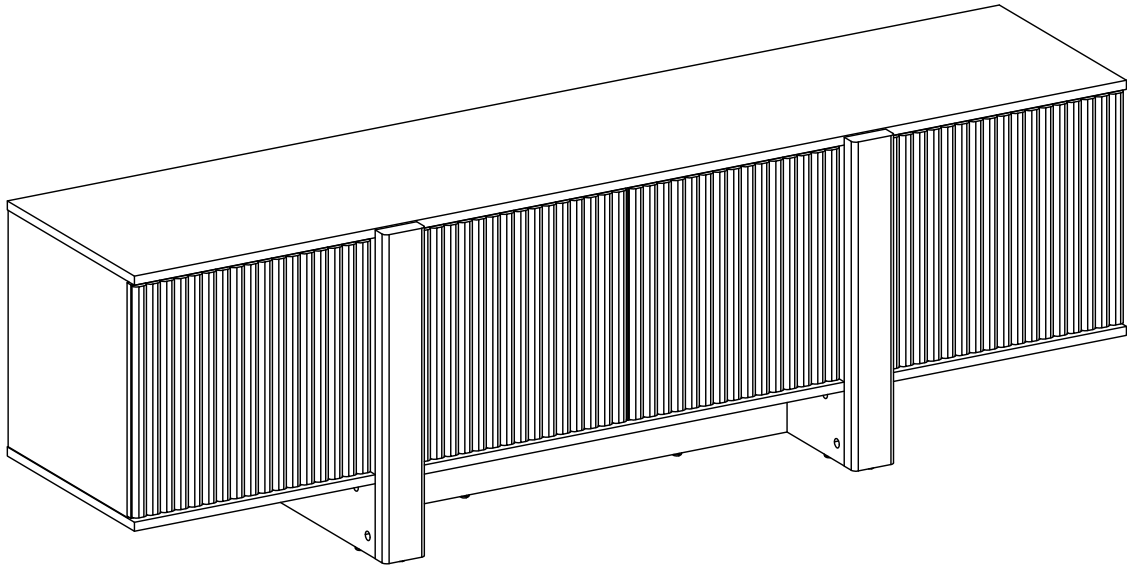
The push to open latches may need to be adjusted from time to time.
To adjust please follow the steps below:
Push and release the piston once to allow the piston to extend.
Gently turn the piston clockwise or anti-clockwise to adjust its position.

- ①
- ②
- ③



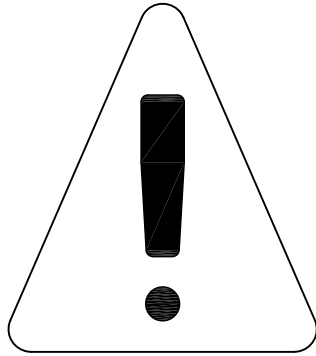
To adjust the door gap to the cabinet body, please turn the pin on push latch system





Job Complete !

In the interest of our environment Please dispose of all packaging thoughtfully.



THIS PRODUCT IS FINISHED FOIL LAMINATE

Avoid placing hot items directly onto the surface unless using a thick insulation material such as placemats or coasters. Heat may lead to discolouration or other damage to the surface of the product.

Use a soft cloth that has been dampened in water to clean the surface of this product. Do not use abrasive cleaners, furniture wax or polish on the surface of this product, as it may damage the surface.

CAUTION: FREQUENT EXPOSURE TO DIRECT SUNLIGHT OR SIMILAR SOURCES MAY CAUSE THE SURFACE TO DISCOLOUR OR FADE.