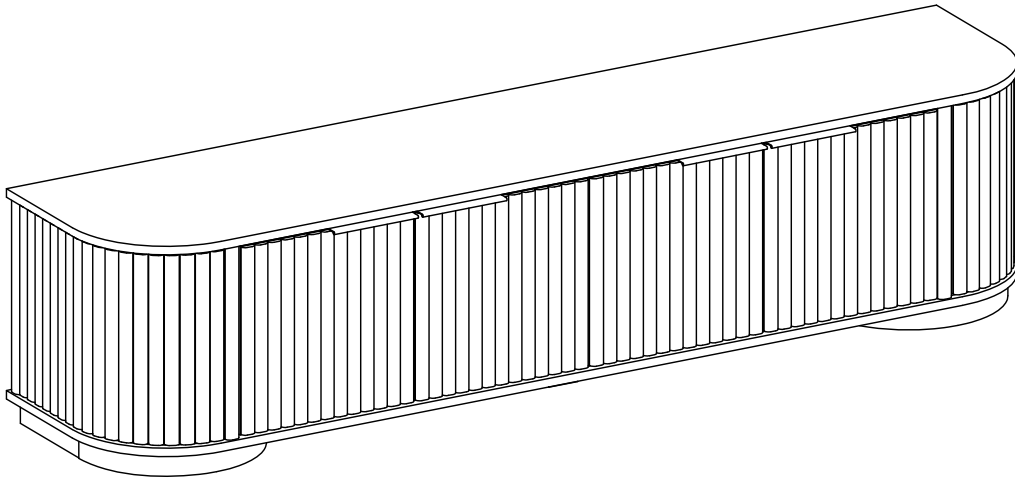


Assembly Instructions

ORLAITH 180CM TV STAND - EURO OAK



MAXIMUM WEIGHT CAPACITY OF THIS UNIT IS 30 KG.

Please read the Assembly Instructions carefully
before assembling.

Imported by Sourcebynet Australia Pty Ltd.

Important safety instructions

DANGER!

Children have died from furniture tip over.

Toppling Hazard Warning

- ALWAYS secure items with an anchor device
- For safety reasons, we recommend you follow the provided instructions
- When installed properly, the provided hardware may prevent the unit from tipping over unexpectedly.
- Never let children climb or hang on drawers, doors or shelves.
- NEVER open more than one drawer at a time
- Place heavy items down low
- For advice on suitable fastening devices, contact your local specialized dealer



WARNING

FAILURE TO FOLLOW THESE BASIC STEPS CAN LEAD TO DAMAGE THAT IS NOT COVERED BY YOUR WARRANTY

1. Read Instructions carefully. Check no parts are missing.
2. Lay out all of the components on a soft surface as if you were preparing to do a jigsaw puzzle.
3. Carefully identify each component , especially those that are similar. The most common mistake is getting things back to front.
4. Separate and identify each component from the hardware pack and rest each one in its proper location before fastening.
5. **DO NOT** fully tighten screws (leave slightly loose). When the item is fully assembled tighten the screws - but do not over tighten.

Warning: In order to prevent overturning this product must be used with the wall attachment device provided.

Daily Care :

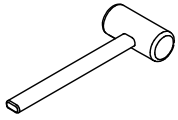
Water and other liquids can cause discoloration and damage to the surface. In case any liquids are spilled on the surface, remove immediately with a clean cloth. Avoid rubbing the spilled liquid into the veneer, but wipe gently, using a clean, firmly wrung damp cloth. If stains or marks persist, seek professional help and advice.

Woods expands and contracts according to the surrounding humidity and temperature. In case of temperature and humidity fluctuations, the wood might warp and/or crack. To avoid this, do not place the furniture near a radiator or in hot surroundings.

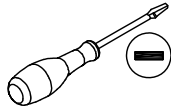
Take care when moving the furniture across the floor. Do not drag the furniture, as this can cause damage to both the furniture and the floor.

What you need

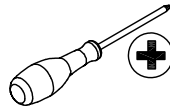
To assemble the product



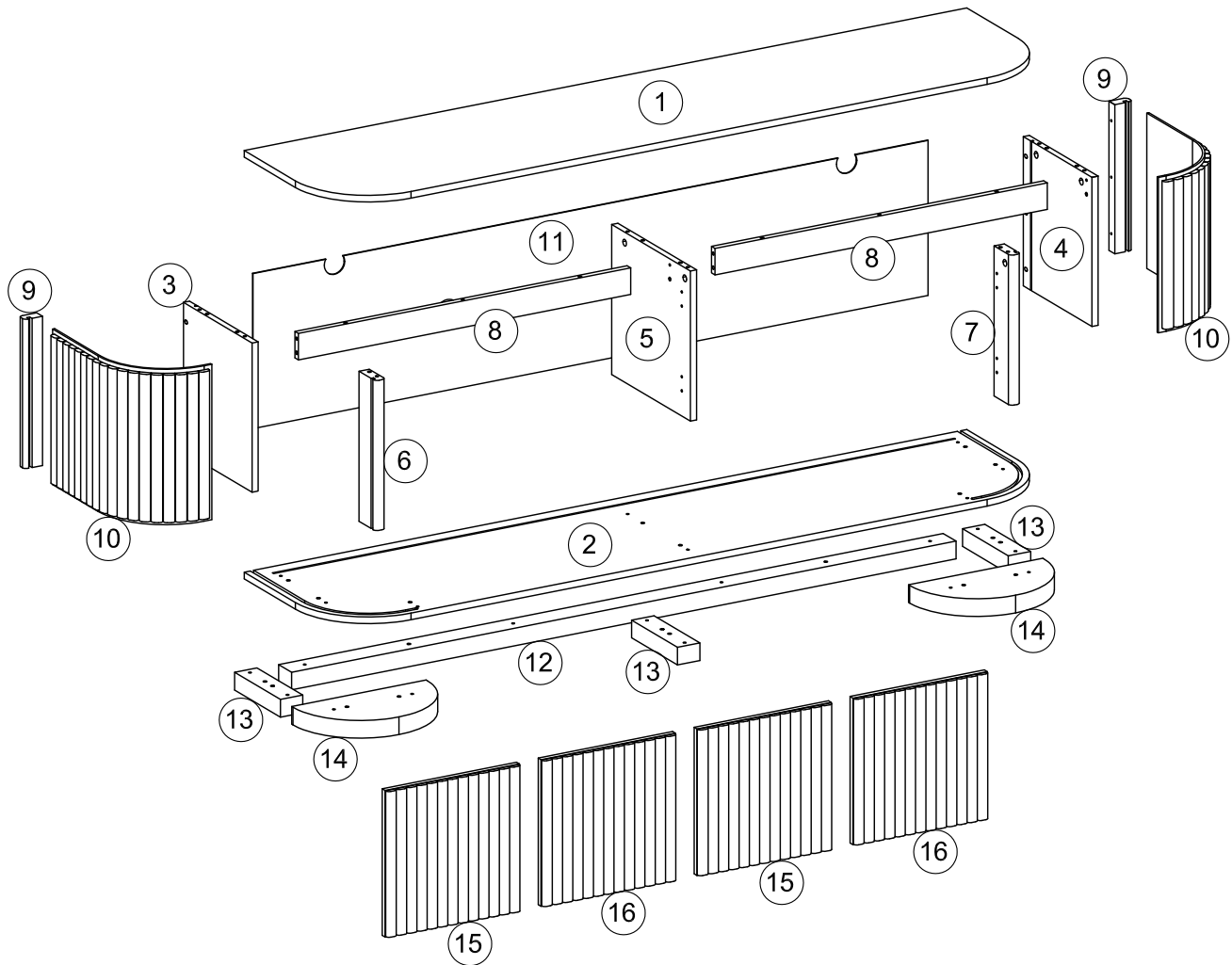
Mallet



Flat Screw driver



Phillips Screw driver



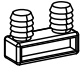



NO.	PART LIST	QTY	NO.	PART LIST	QTY
(1)	Top Panel	1	(10)	Elastic Panel	2
(2)	Bottom Panel	1	(11)	Back Panel	1
(3)	Left Panel	1	(12)	Large Bottom Support	1
(4)	Right Panel	1	(13)	Small Bottom Support	3
(5)	Divider Panel	1	(14)	Half Moon Support	2
(6)	Left Pillar	1	(15)	Left Door	2
(7)	Right Pillar	1	(16)	Right Door	2
(8)	Top Support	2			
(9)	Rear Support	2			

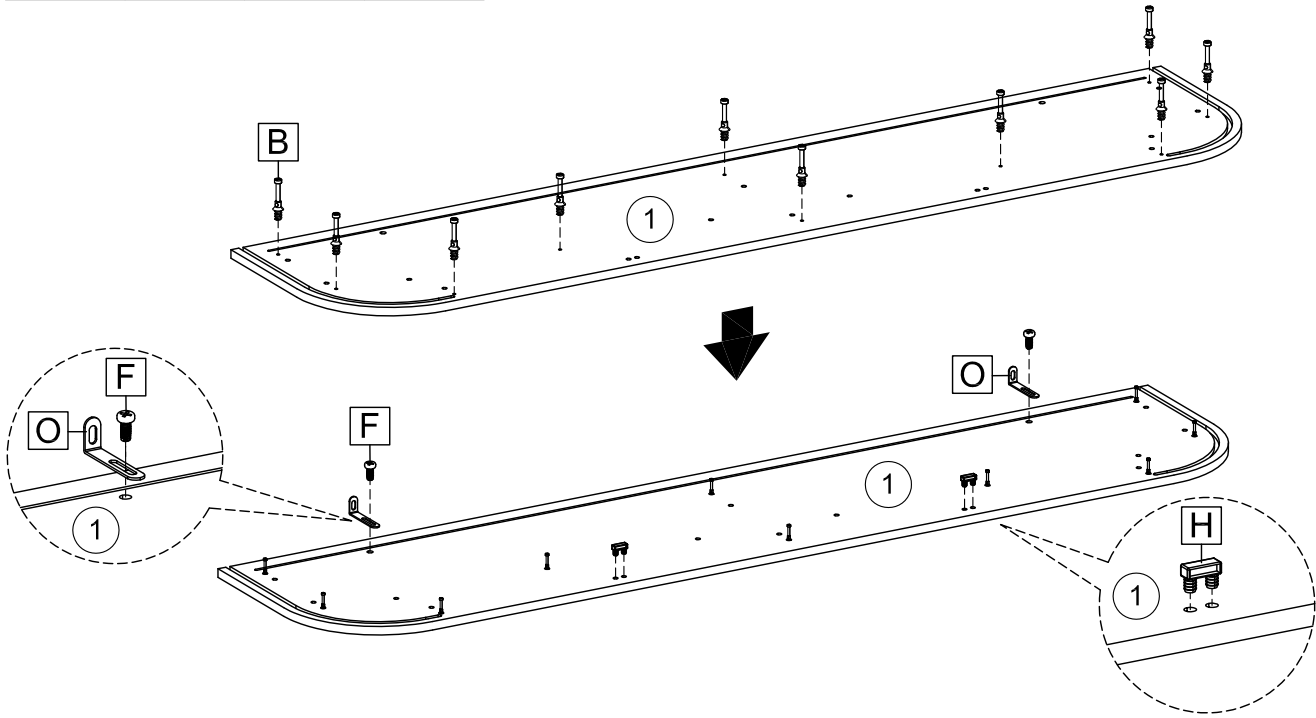
 <p>14 x Cam Lock Ø15x12mm (A)</p>	 <p>14 x Cam Bolt Ø7.5x32mm (B)</p>	 <p>14 x Cam Cap Ø17mm (C)</p>	 <p>36 x Plastic Dowel Ø8x32mm (D)</p>
 <p>8 x Screw Ø6x8mm (E)</p>	 <p>2 x Screw Ø6x10mm (F)</p>	 <p>28 x Screw Ø10x33.5mm (G)</p>	 <p>2 x stopper (H)</p>
 <p>1 x Screw Ø3x12mm (I)</p>	 <p>4 x Full Curve Door Hinge (J)</p>	 <p>4 x Half Curve Door Hinge (K)</p>	 <p>14 x Screw Ø4x19mm (L)</p>
 <p>14 x Backply Stopper (M)</p>	 <p>4 x Handle (N)</p>	 <p>2 x Bracket (O)</p>	 <p>12 x Nail Leg (P)</p>

Please make sure you have all these parts before you start.



Step 1

You will need			
			
10 x Cam Bolt (B)	2 x Screw (F)	2 x Stopper (H)	2 x Bracket (O)

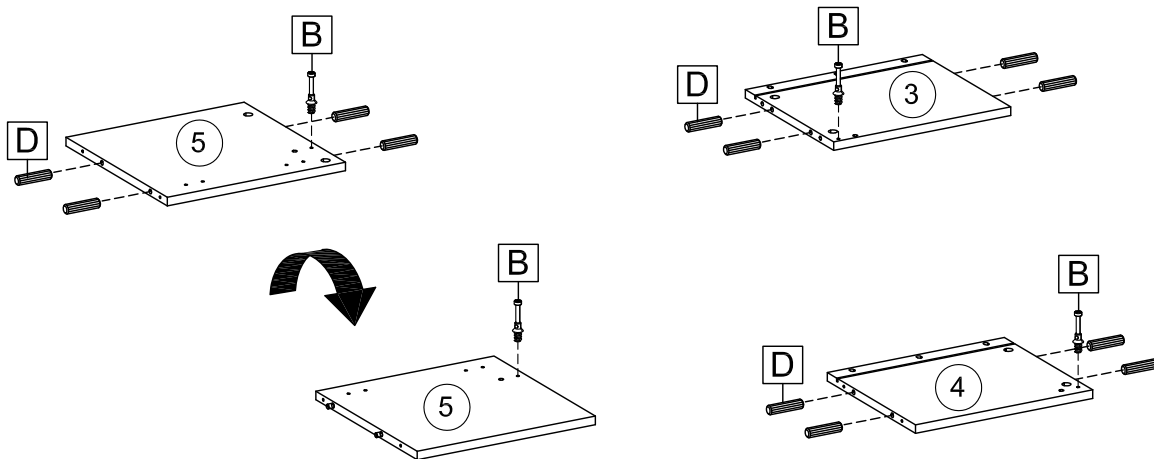
Screw 10 x Cam Bolts (B) into Top Panel (1).
Attach 2 x Brackets (O) using 2 x Screws (F).
Insert 2 x Stopper (H) into Top Panel (1).



Step 2

You will need	
	
4 x Cam Bolt (B)	12 x Plastic Dowel (D)

Screw 3 x Cam Bolts (B) into Left Panel (3), Right Panel (4) and Divider Panel (5).
Insert 12 x Plastic Dowel (D) into Left Panel (3), Right Panel (4) and Divider Panel (5).
If necessary, gently tap the Plastic dowels with a mallet.
Flip 180° Divider Panel (5), then screw 1 x Cam Bolts (B).



Step 3

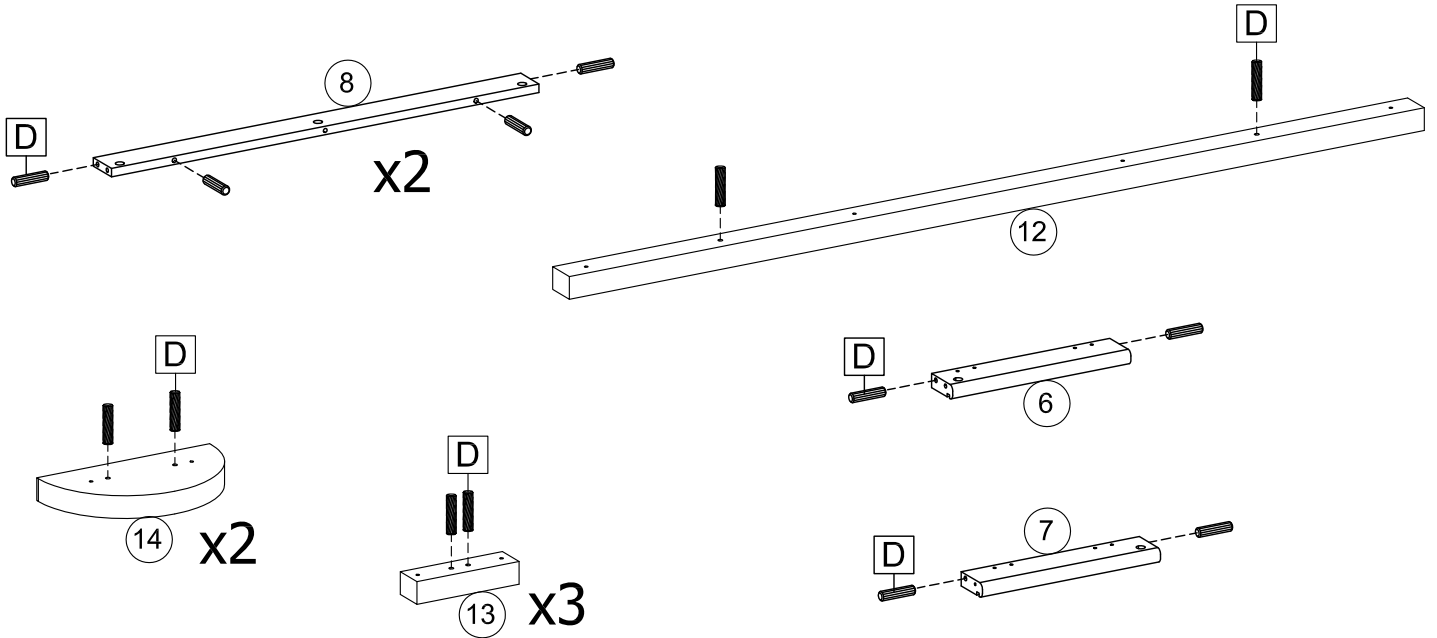
You will need



24 x Plastic Dowel (D)

Insert 24 x Plastic Dowel (D) into Left Pillar (6), Right Pillar (7), 2 x Top Support (8), Large Bottom Support (12), 3 x Small Bottom Support (13) and 2 x Half Moon Support (14).

If necessary, gently tap the Plastic dowels with a mallet.



Step 4

You will need



2 x Cam Lock (A)

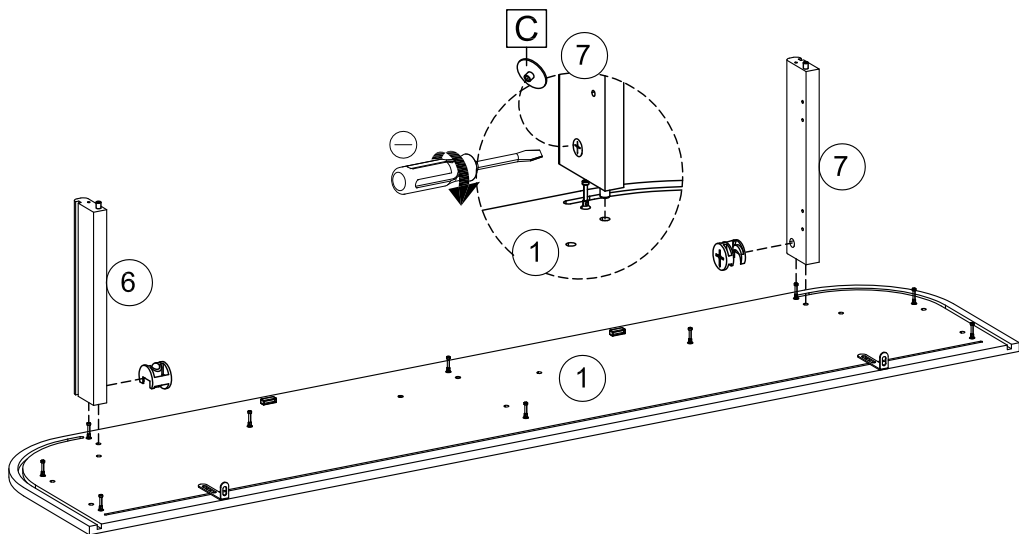


2 x Cam Cap (C)

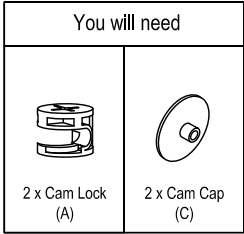
Attach Left Pillar (6) and Right Pillar (7) to Top Panel (1) using 2 x Cam lock (A) as shown,

Use a screwdriver to turn the Cam lock clockwise to lock.

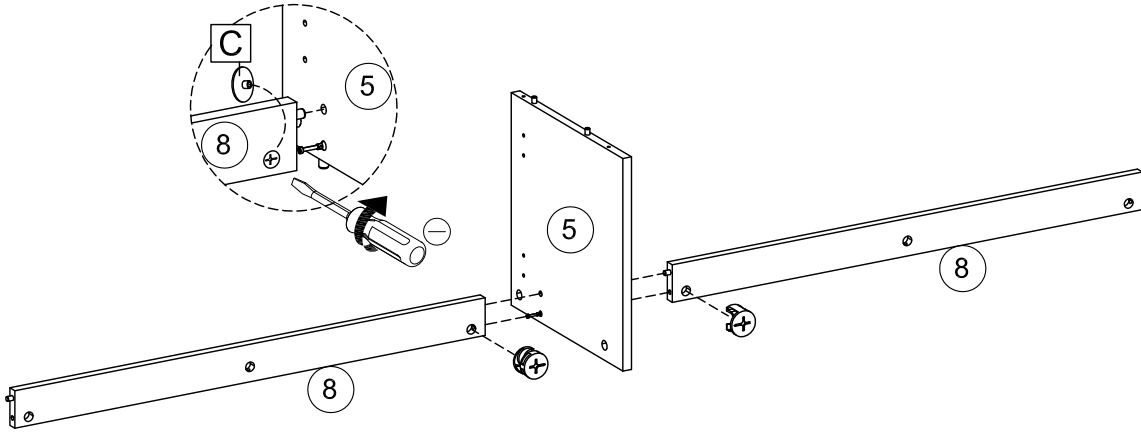
Paste 2 x Cam Cap (C) as shown.



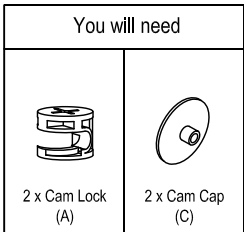
Step 5



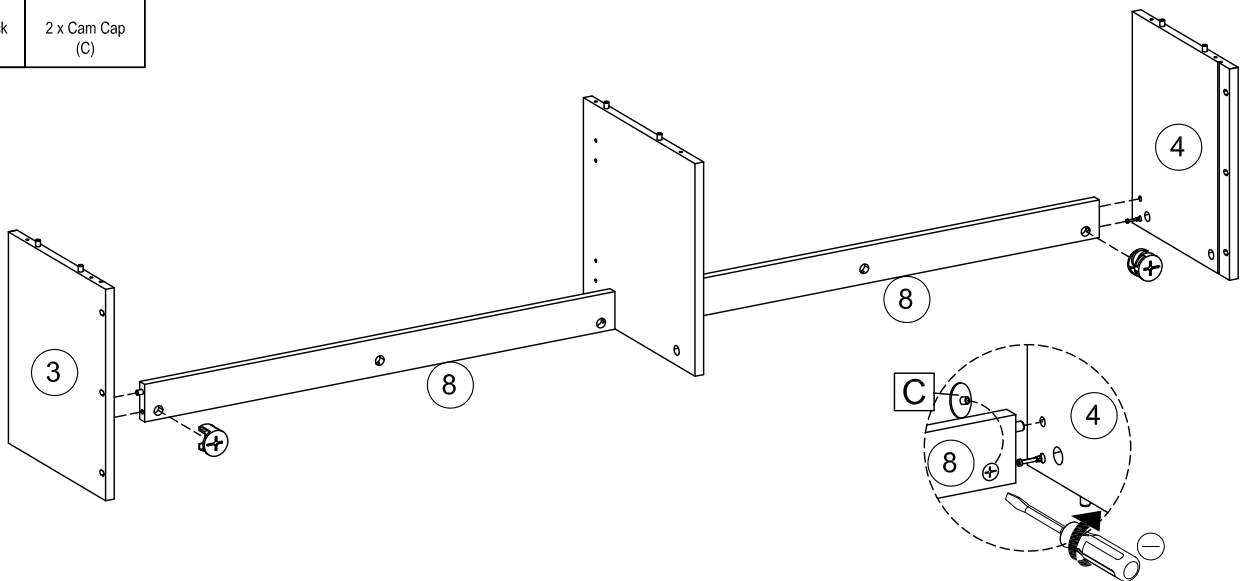
Attach 2 x Top Support (8) to Divider Panel (5) using 2 x Cam lock (A) as shown,
Use a screwdriver to turn the Cam lock clockwise to lock.
Paste 2 x Cam Cap (C) as shown.



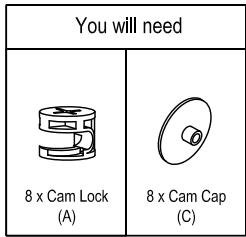
Step 6



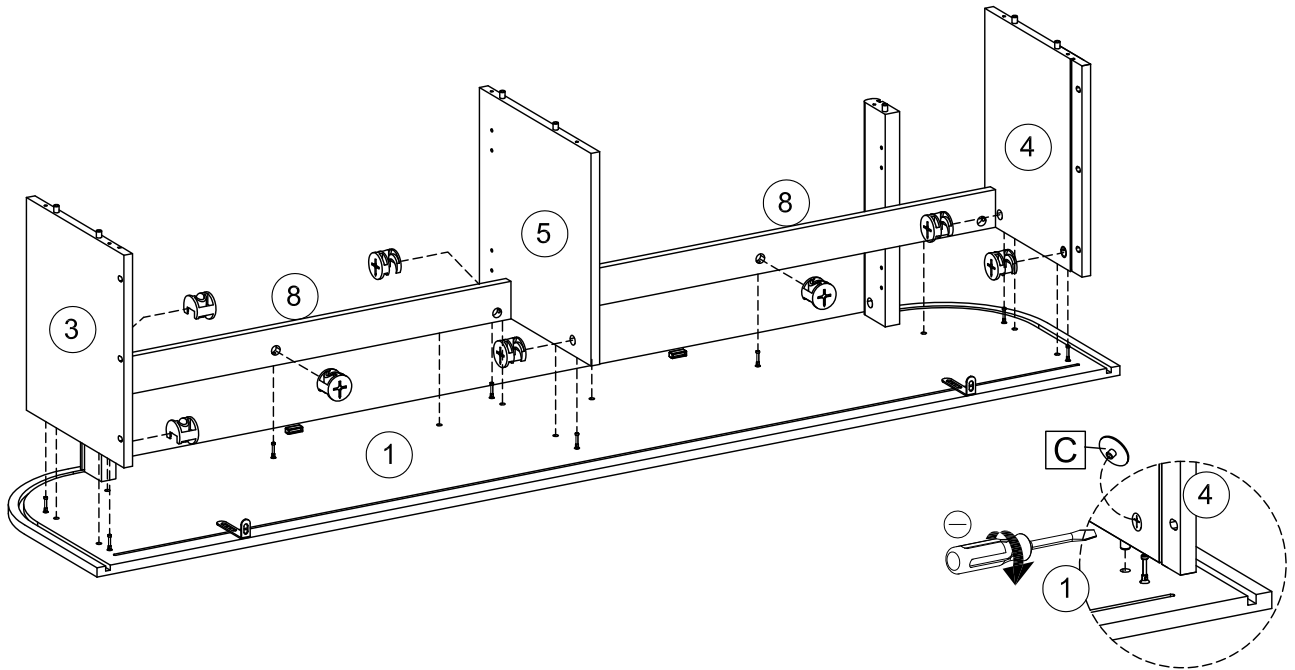
Attach Left Panel (3) and Right Panel (4) to 2 x Top Support (8) using 2 x Cam lock (A) as shown,
Use a screwdriver to turn the Cam lock clockwise to lock.
Paste 2 x Cam Cap (C) as shown.



Step 7

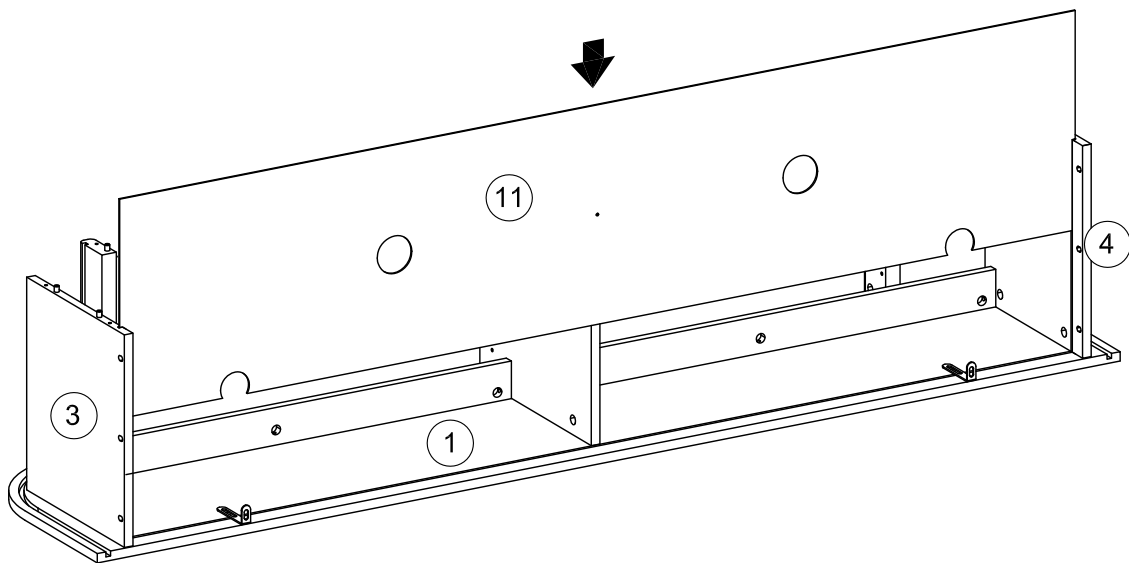


Attach the assembly to Top Panel (1) using 8 x Cam lock (A) as shown, Use a screwdriver to turn the Cam lock clockwise to lock. Paste 8 x Cam Cap (C) as shown.



Step 8

Insert Back Panel (11) into case assembly as shown.



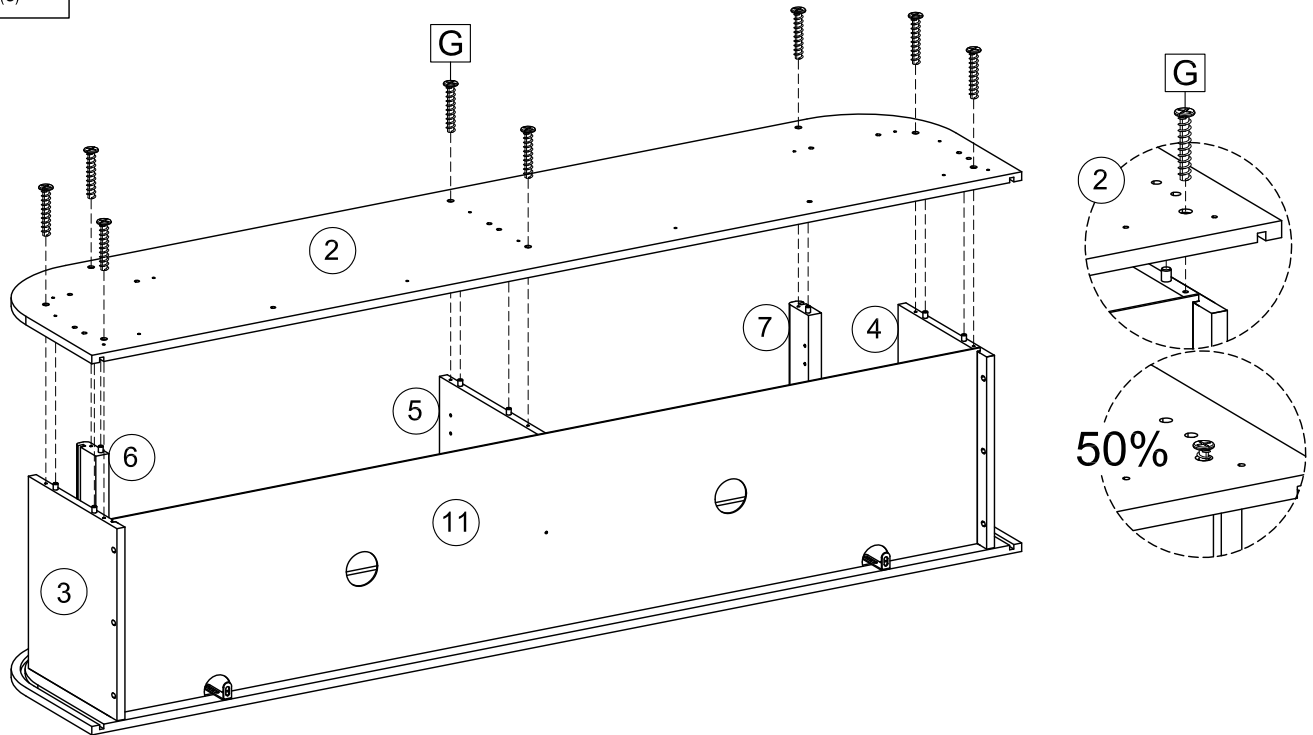
Step 9

You will need



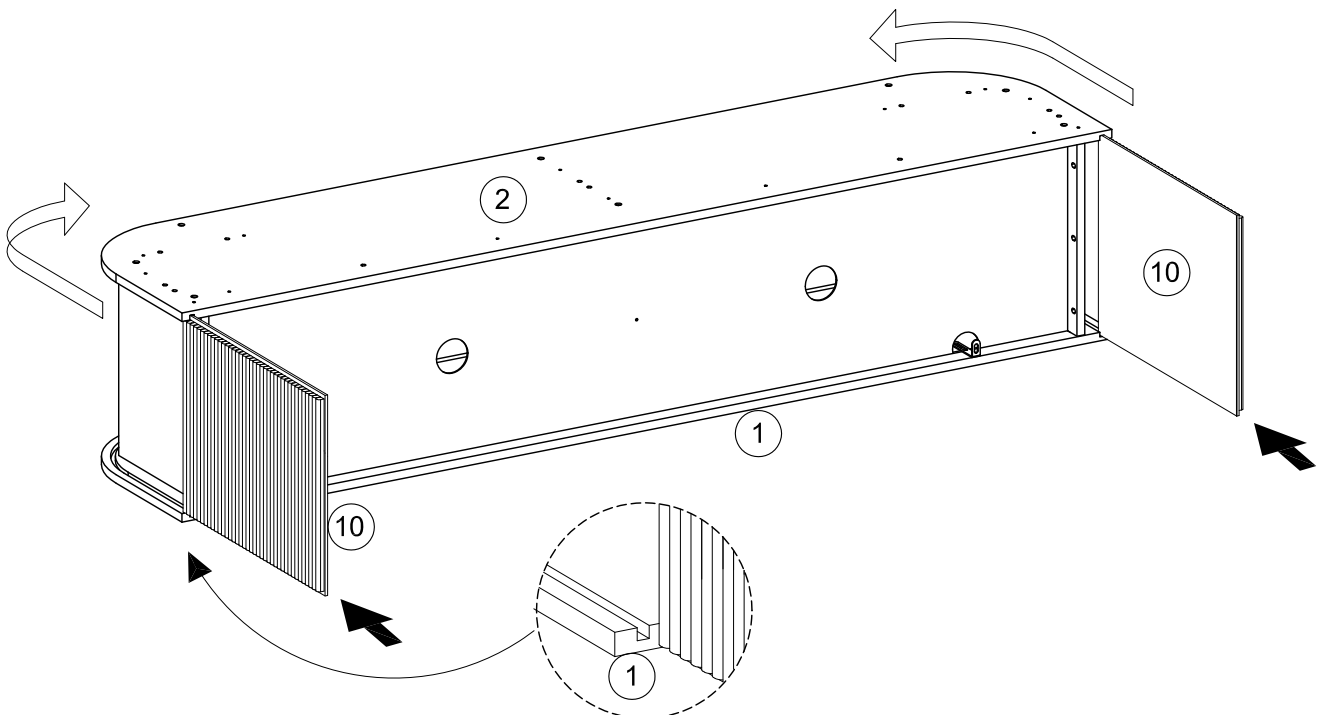
8 x Screw
(G)

Attach Bottom Panel (2) to case assembly using 8 x Screw (G).
Tighten the screw about 50% only.



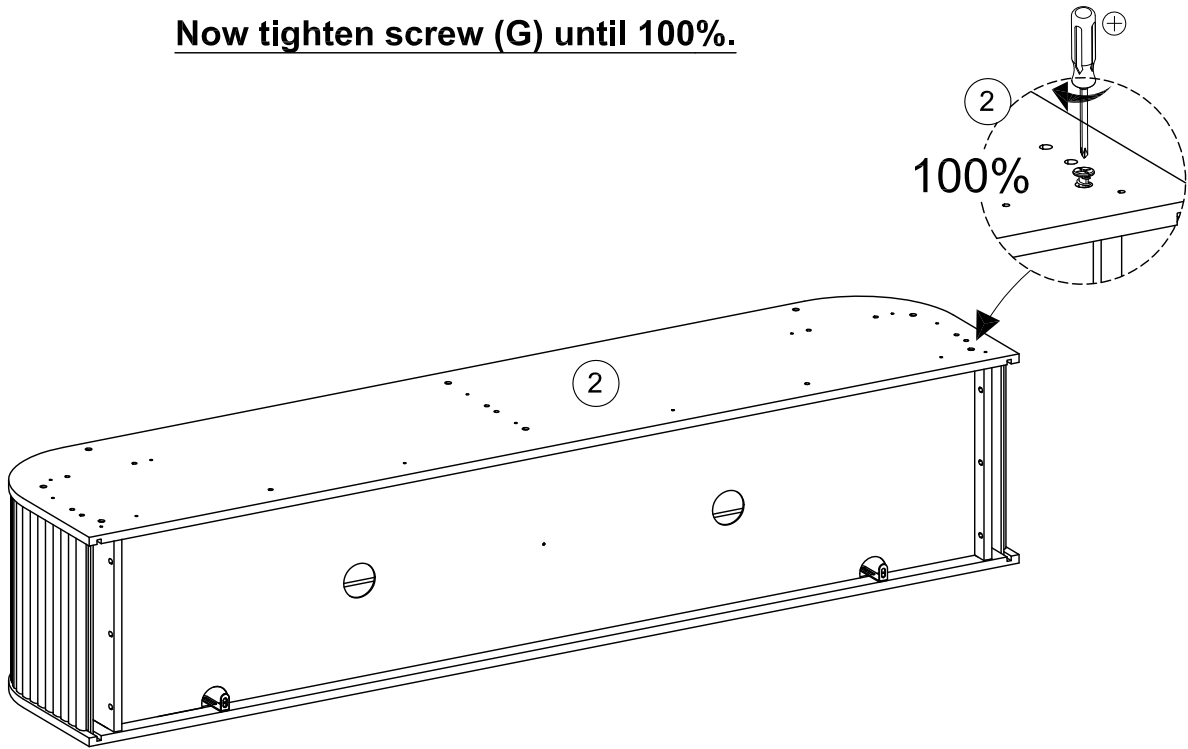
Step 10

Insert Elastic Panel (10) into case assembly as shown.



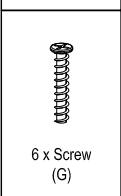
Step 11

Now tighten screw (G) until 100%.



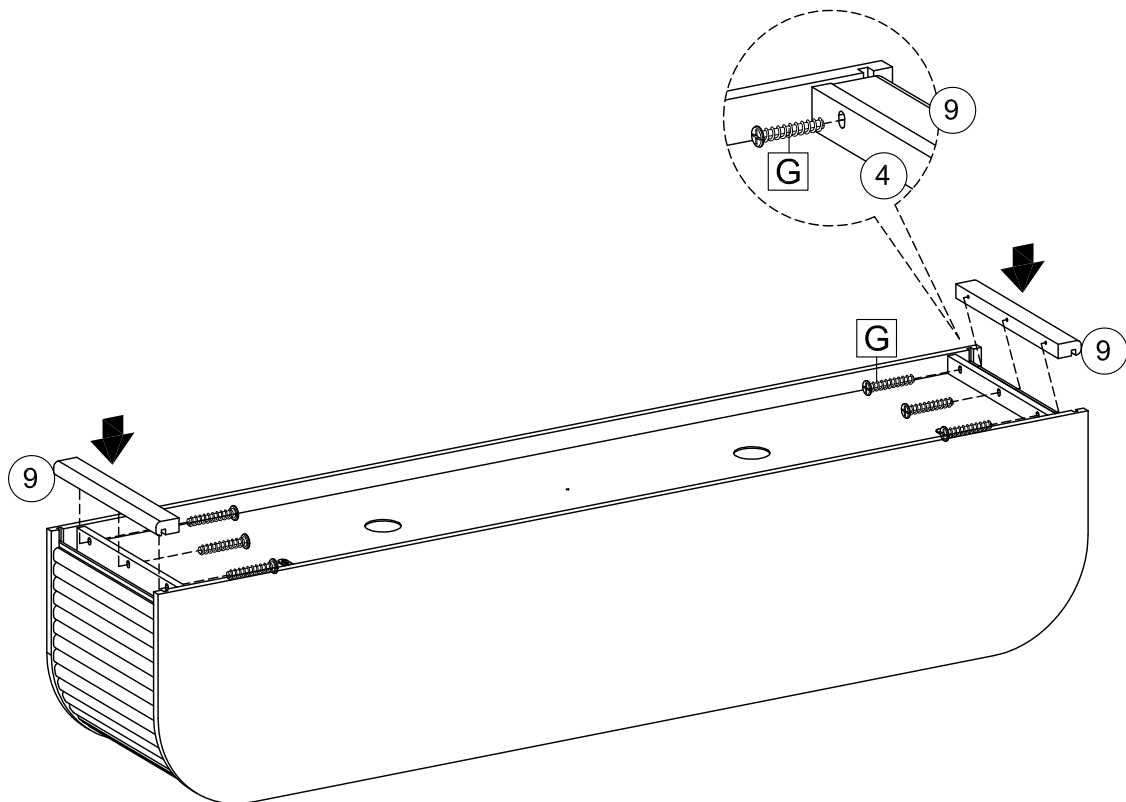
Step 12

You will need



Rotate the product as shown.

Attach 2 x Rear Support (9) to case assembly using 6 x screw (G) as shown.



Step 13

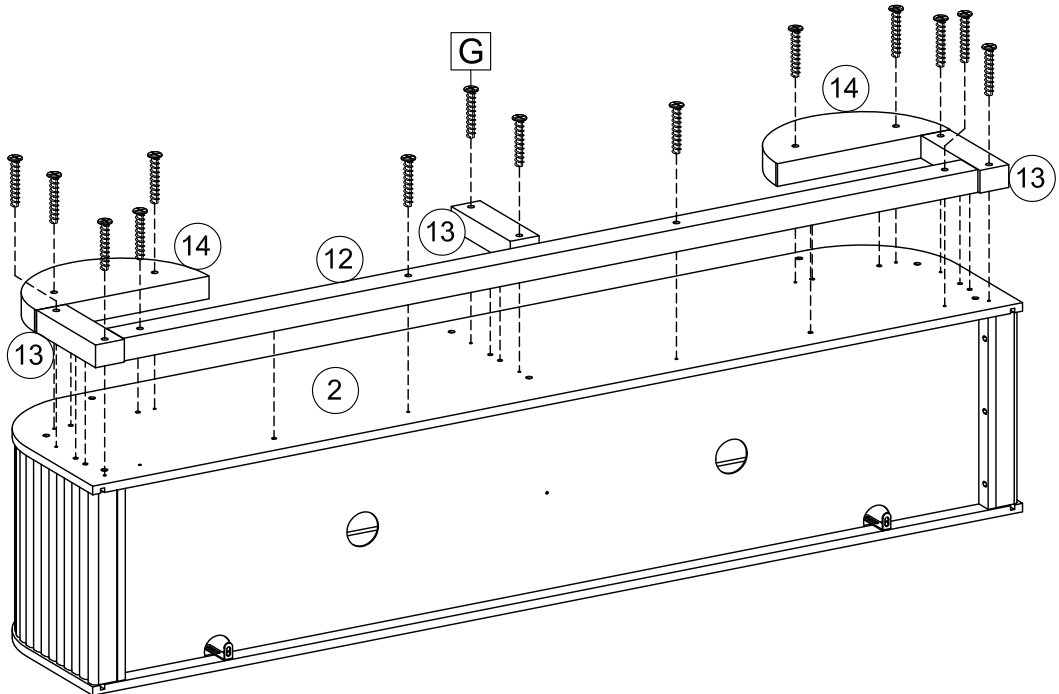
You will need



14 x Screw
(G)

Rotate the product again, as shown.

Attach 1 x Large Bottom Support (12), 3 x Small Bottom Support (13) and 2 x Half moon Support (14) to case assembly using 14 x Screw (G).



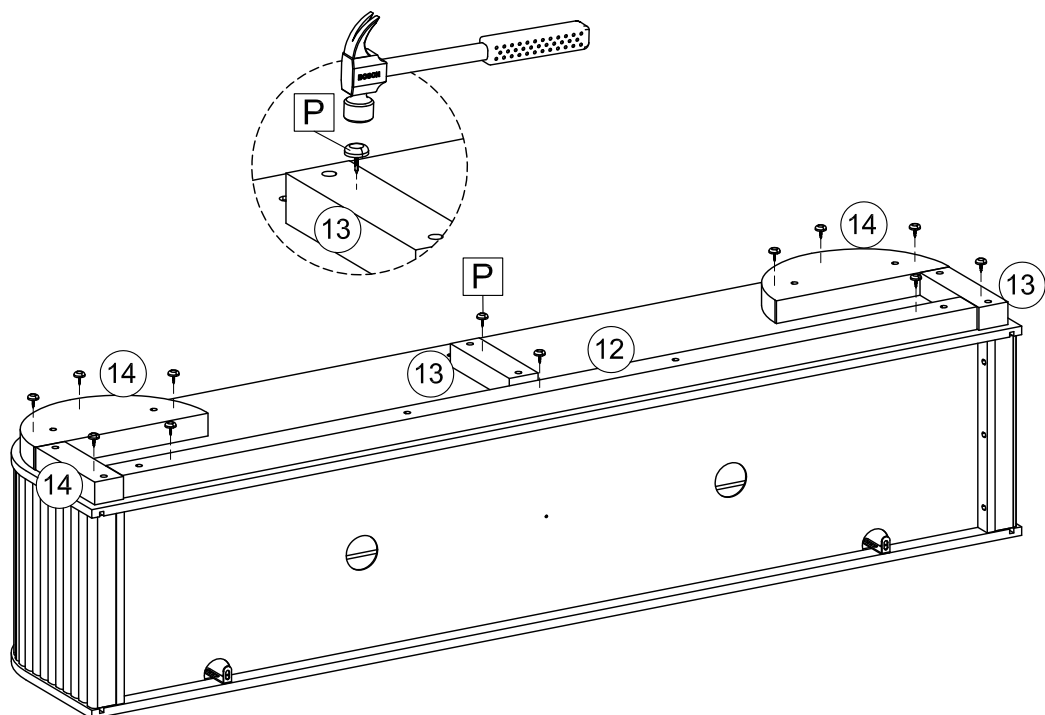
Step 14

You will need



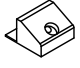


12 x Nail Leg
(P)

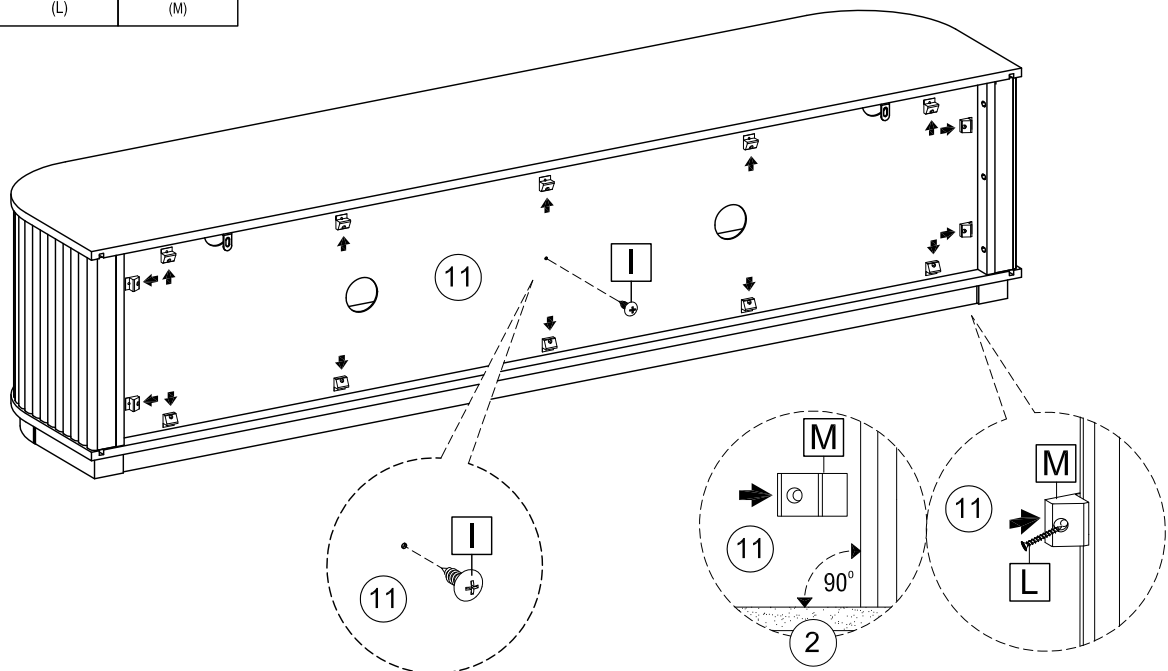
Install 12 x Nail Leg (P) to the bottom of the case assembly as shown.



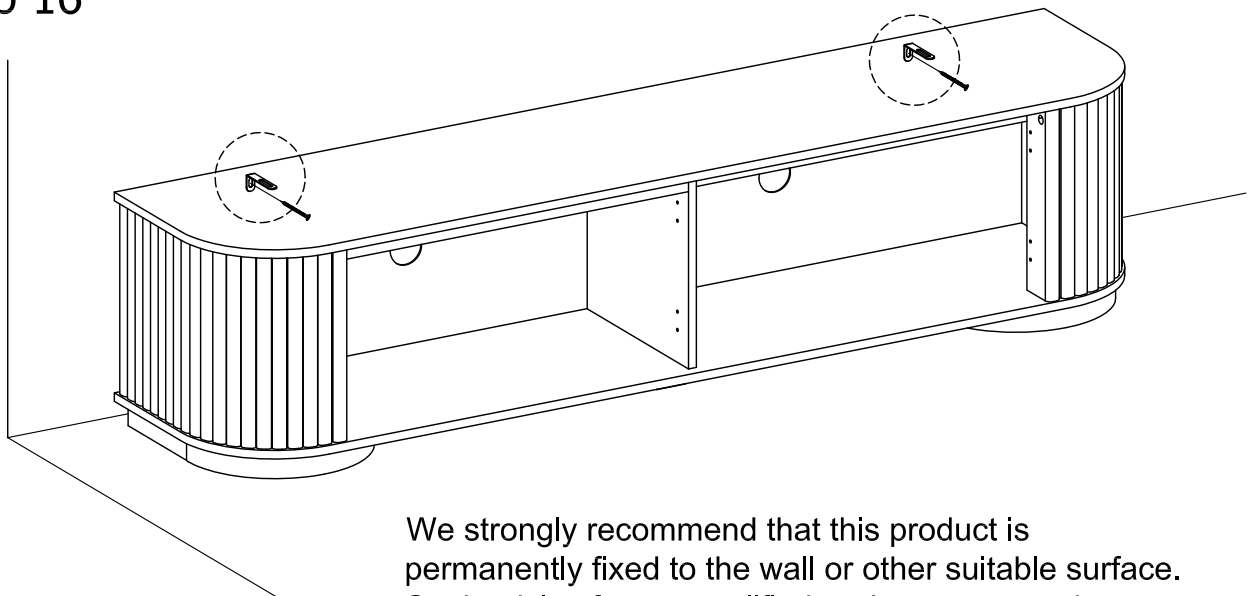
Step 15

You will need		
 1 x Screw (I)	 14 x Screw (L)	 14 x Backply Stopper (M)

Rotate the product as shown.
Install 14 x Backply Stopper (M) to Back Panel (11) using
14 x Screws (L).
Tighten Back Panel using 1 x Screw (I).




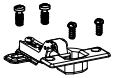

Step 16



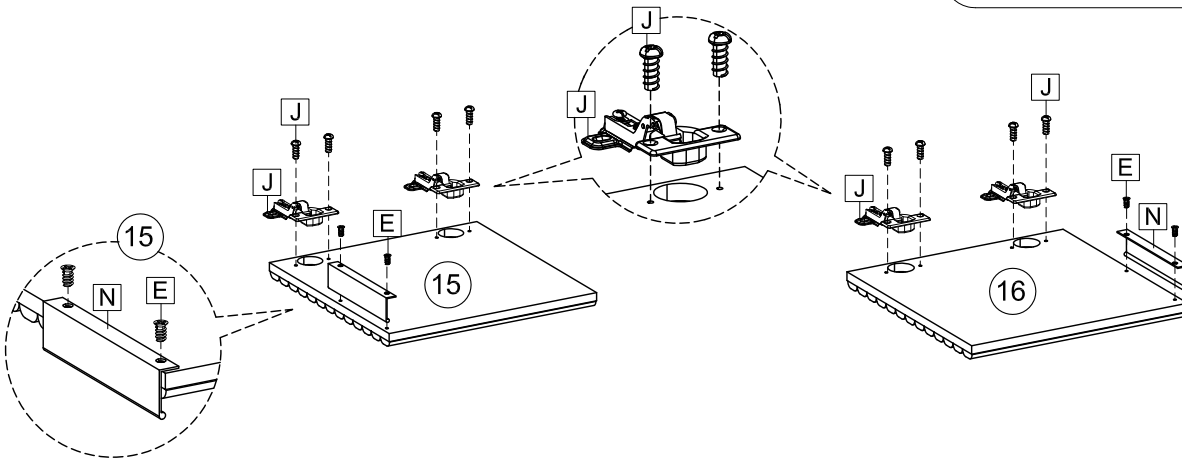
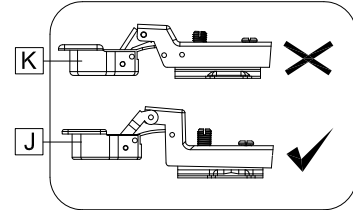
We strongly recommend that this product is permanently fixed to the wall or other suitable surface. Seek advice from a qualified trades person on how to attach this wall strap to your specific wall.

Screw and wall plug are not included.
Please use appropriate fixtures for your wall.
With assistance, move the product to the final position.
Attach the wall straps to the wall with the appropriate fixtures.
Make sure they are firmly attached and secure.

Step 17

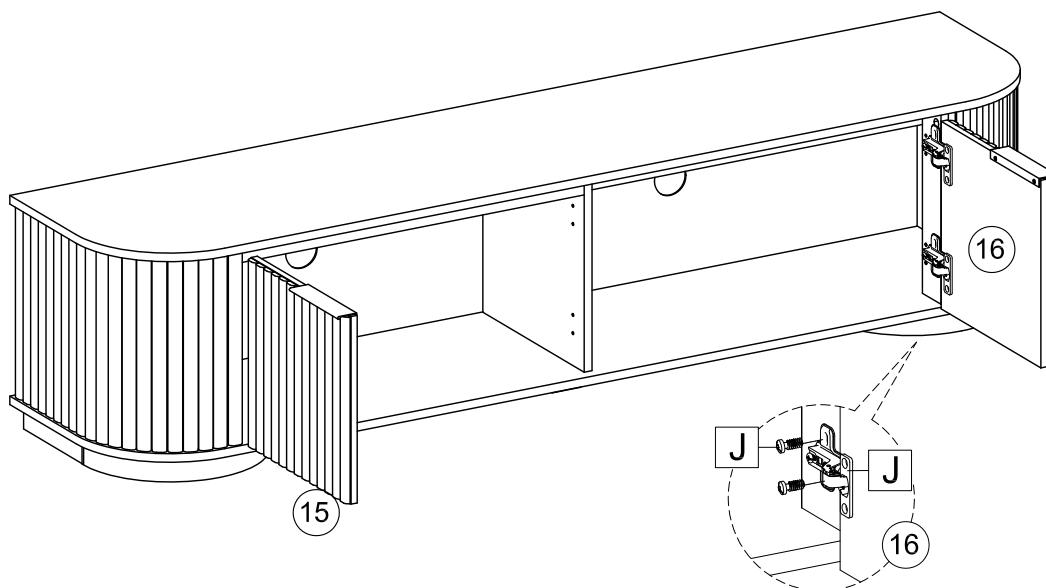
You will need		
 4 x Screw Ø6x8mm (E)	 4 x Full Curve Door Hinge (J)	 2 x Handle (N)

Attach 4 x Full Curve Door Hinge (J) to 1 x Left Door (15) and 1 x Right Door (16) as shown.
Install 2 x Handle (N) to 1 x Left Door (15) and 1 x Right Door (16) using 4 x Screw (E).

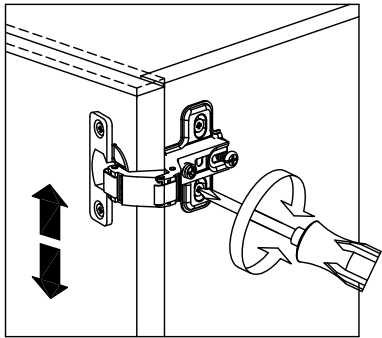
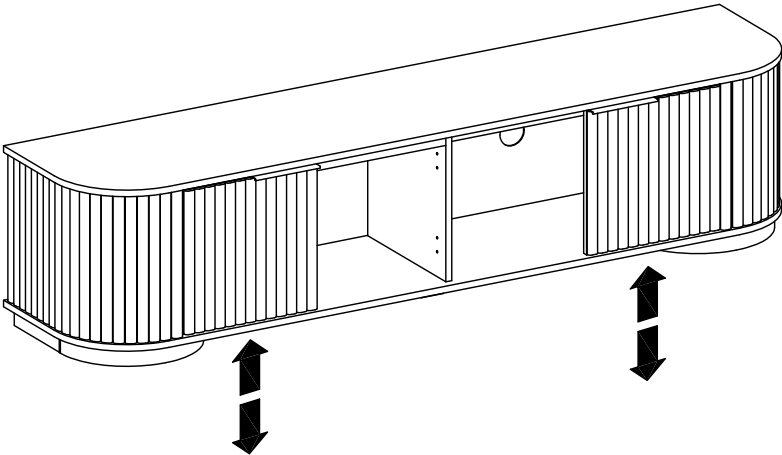


Step 18

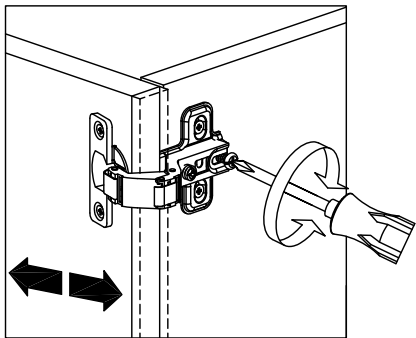
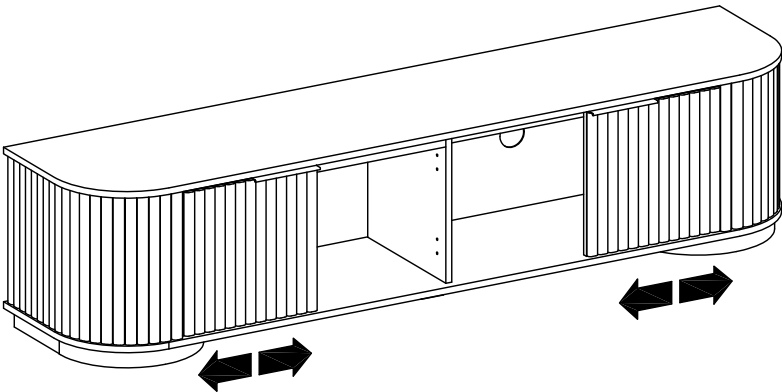
Attach 1 x Left Door (15) and 1 x Right Door (16) to case assembly as shown.



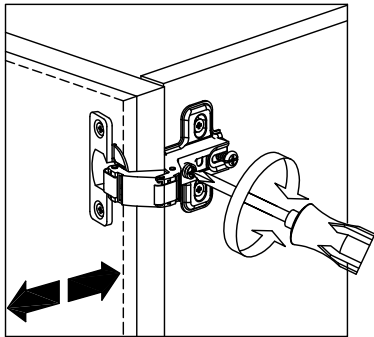
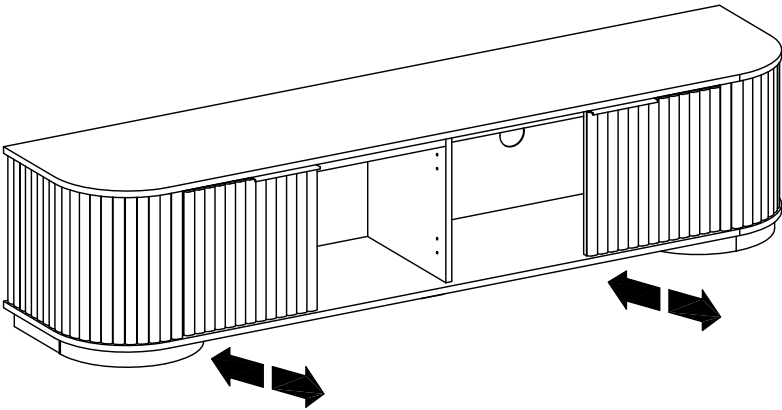
Step 19 The doors may appear out of alignment after assembly.
If adjustment is necessary, please follow the steps below:



To move doors up or down:
loosen or tighten the screws on the hinge plate,
as shown.






To move doors in or out:
loosen or tighten the screws on the hinge plate,
as shown.

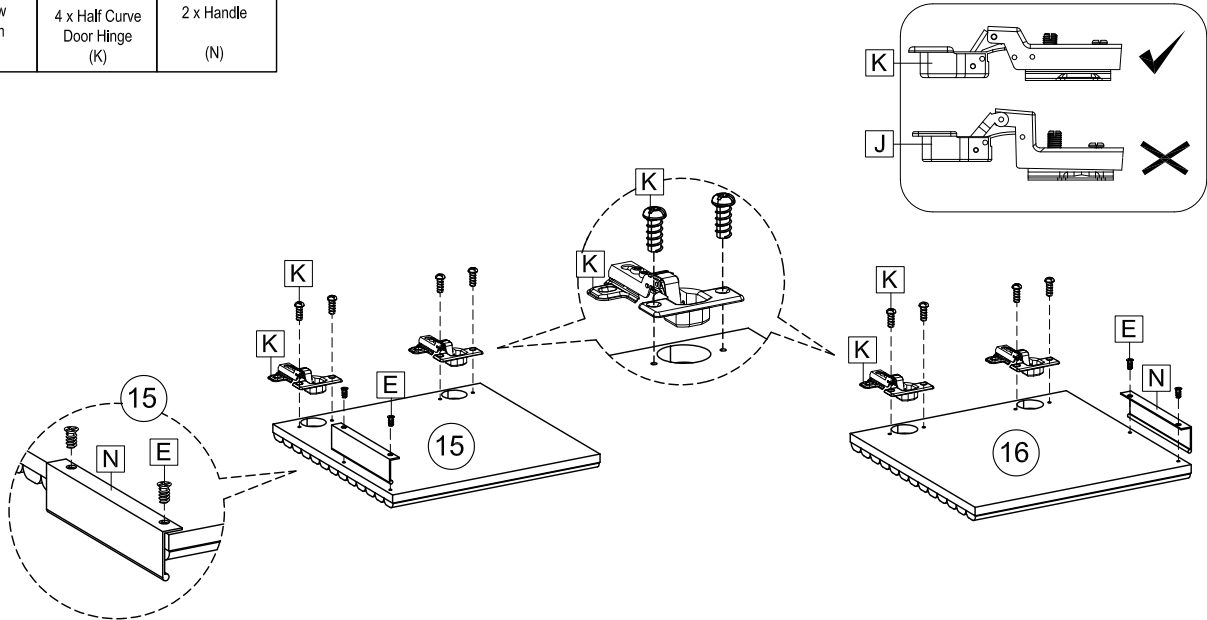


To move doors left or right:
loosen or tighten the screws on the hinge plate,
as shown.

Step 20

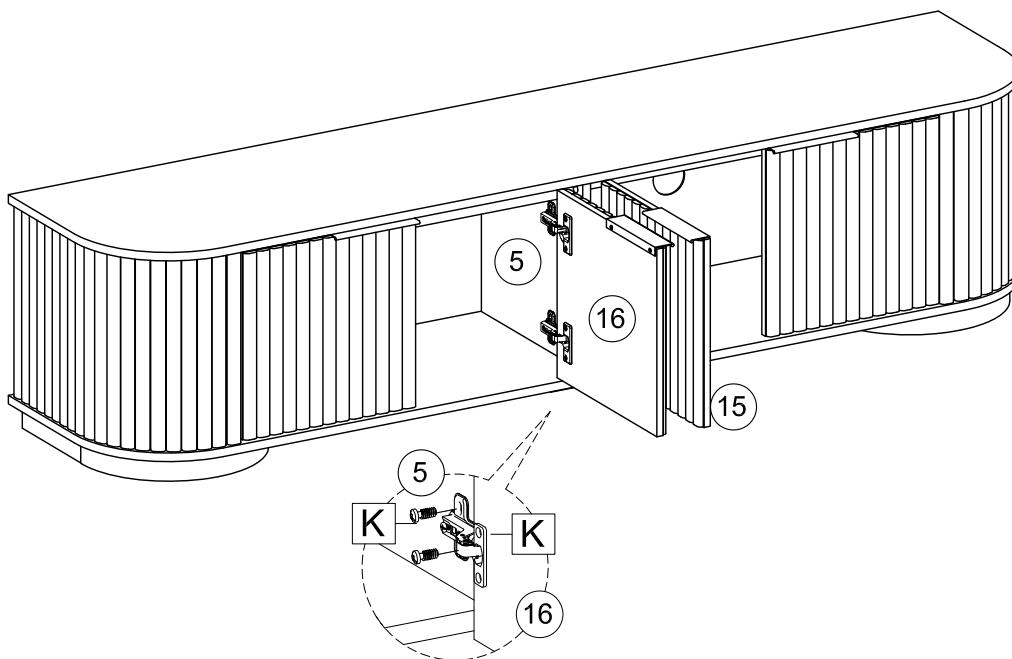
You will need		
 4 x Screw Ø6x8mm (E)	 4 x Half Curve Door Hinge (K)	 2 x Handle (N)

Attach 4 x Half Curve Door Hinge (K) to 1 x Left Door (15) and 1 x Right Door (16) as shown.
Install 2 x Handle (N) to 1 x Left Door (15) and 1 x Right Door (16) using 4 x Screw (E).

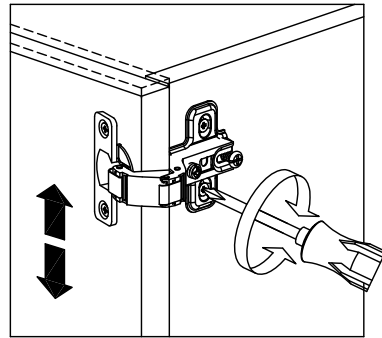
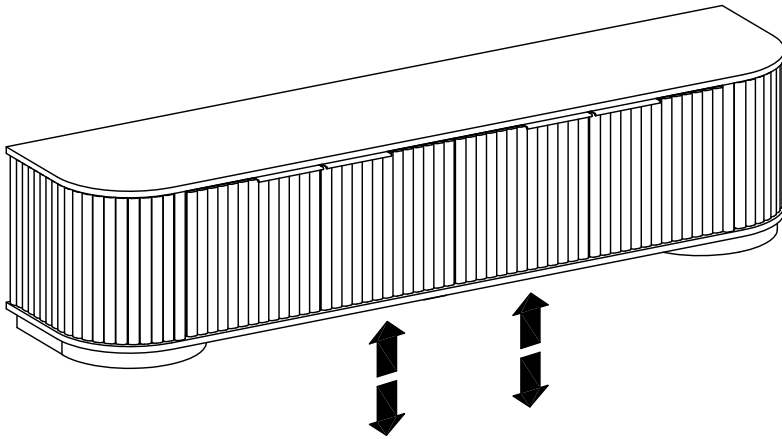


Step 21

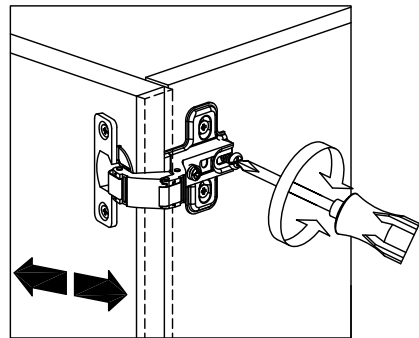
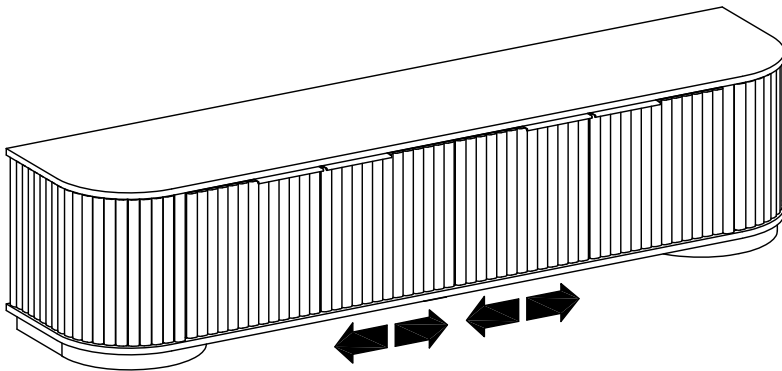
Attach 1 x Left Door (15) and 1 x Right Door (16) to case assembly as shown.



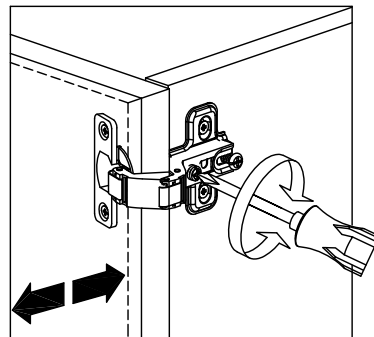
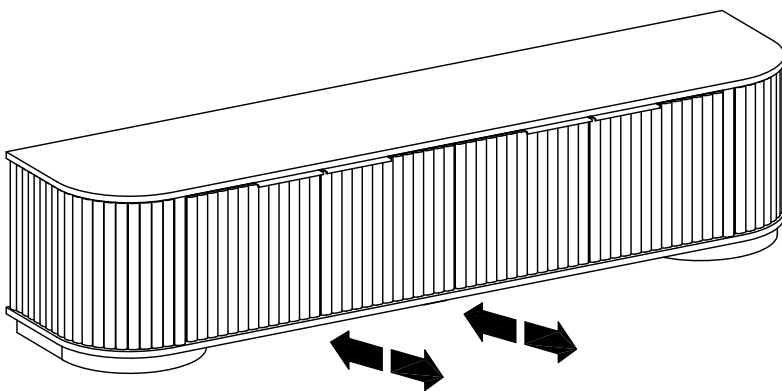
Step 22 The doors may appear out of alignment after assembly.
If adjustment is necessary, please follow the steps below:



To move doors up or down:
loosen or tighten the screws on the hinge plate,
as shown.



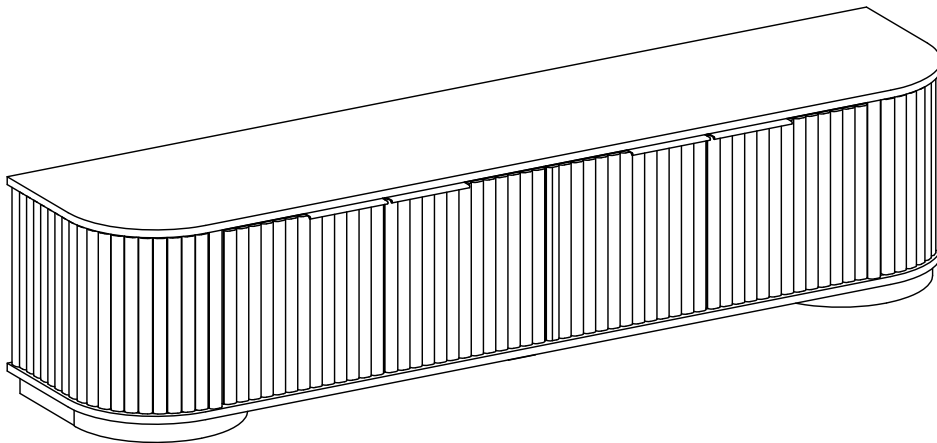
To move doors in or out:
loosen or tighten the screws on the hinge plate,
as shown.



To move doors left or right:
loosen or tighten the screws on the hinge plate,
as shown.

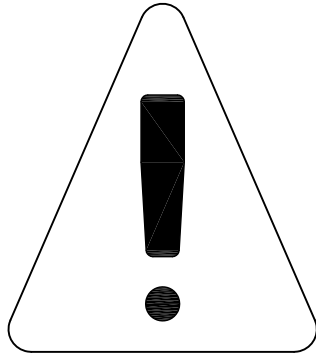
Step 23

MAXIMUM WEIGHT CAPACITY OF THIS UNIT IS 30 KG.



Job Complete !

In the interest of our environment Please dispose of all packaging thoughtfully.



THIS PRODUCT IS FINISHED WITH LAMINATE

Avoid placing hot items directly onto the surface unless using a thick insulation material such as placemats or coasters. Heat may lead to discolouration or other damage to the surface of the product.

Use a soft cloth that has been dampened in water to clean the surface of this product. Do not use abrasive cleaners, furniture wax or polish on the surface of this product, as it may damage the surface.

CAUTION: FREQUENT EXPOSURE TO DIRECT SUNLIGHT OR SIMILAR SOURCES MAY CAUSE THE SURFACE TO DISCOLOUR OR FADE.