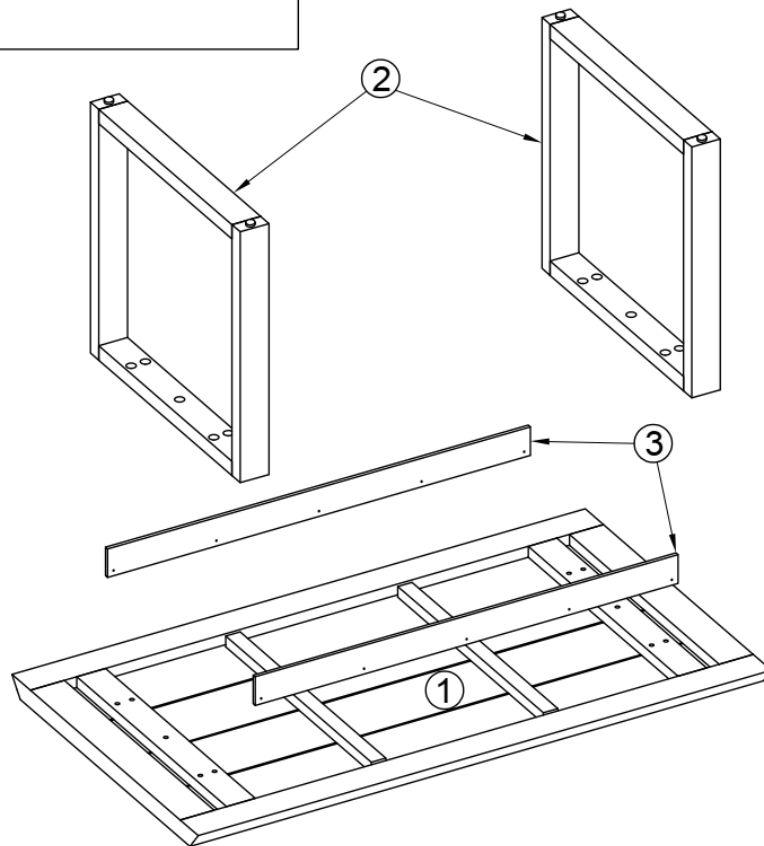
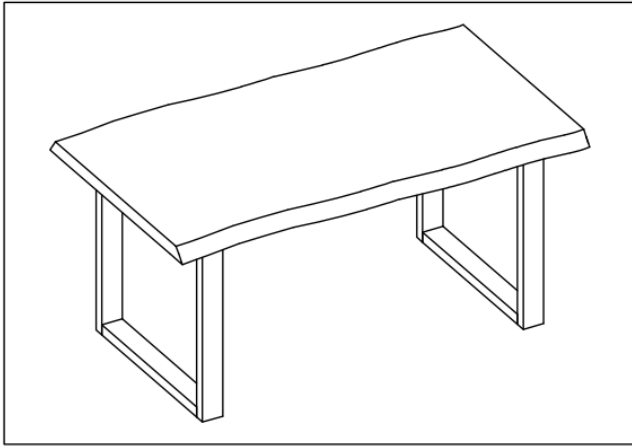


ASSEMBLY INSTRUCTIONS

LIVE EDGE DINING 1.8m TABLE



Note: The assembly of this product requires two people.

a. Bolt M8x50mm

10 pcs



b. Spring Washer Ø8/Ø12x1.2mm

10 pcs



c. Washer Ø8/Ø19x2mm

10 pcs



d. Allen Key N4x110mm

1 pc



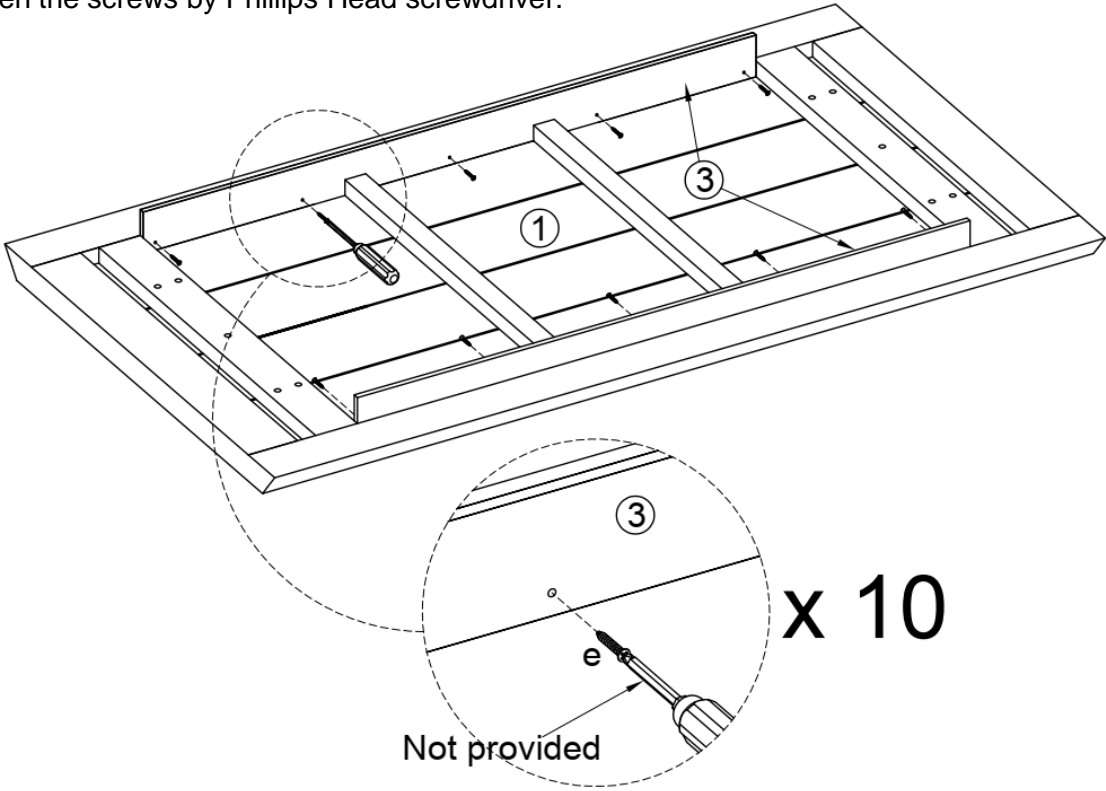
e. Screw M4x25mm

10 pcs



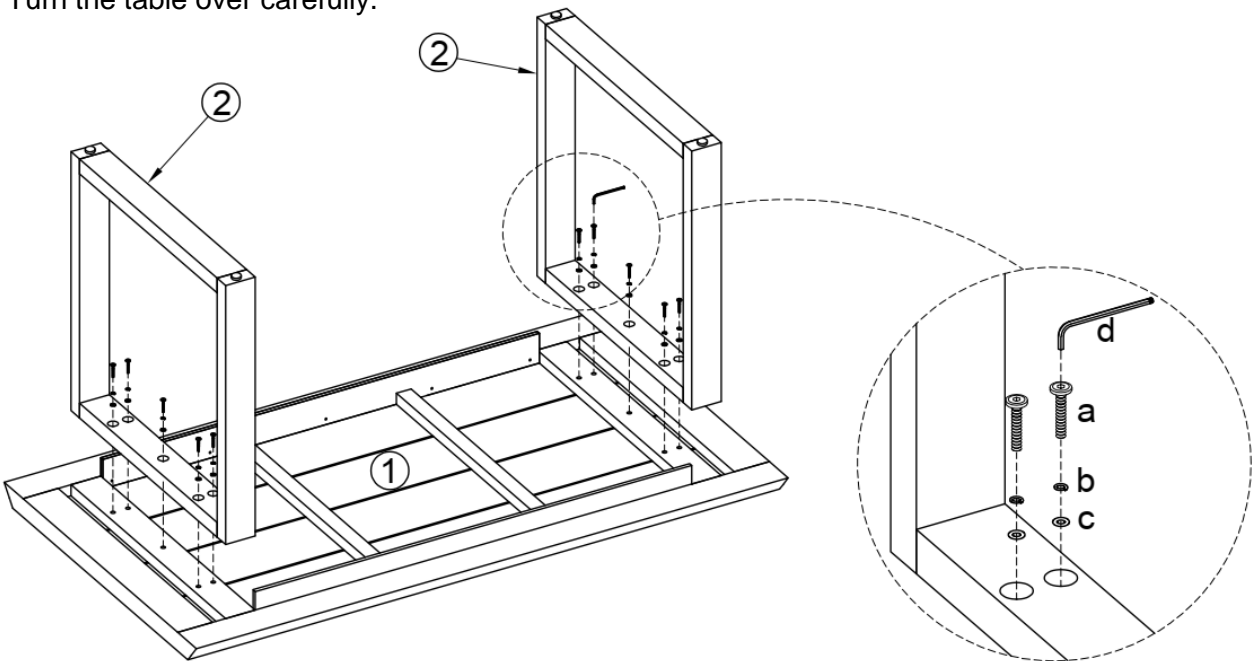
STEP 1:

Place Table Top (1) on a soft covered surface to avoid scratching during Assembly.
Attach the Apron (3) to the Table Top (1) with screws (e).
Tighten the screws by Phillips Head screwdriver.



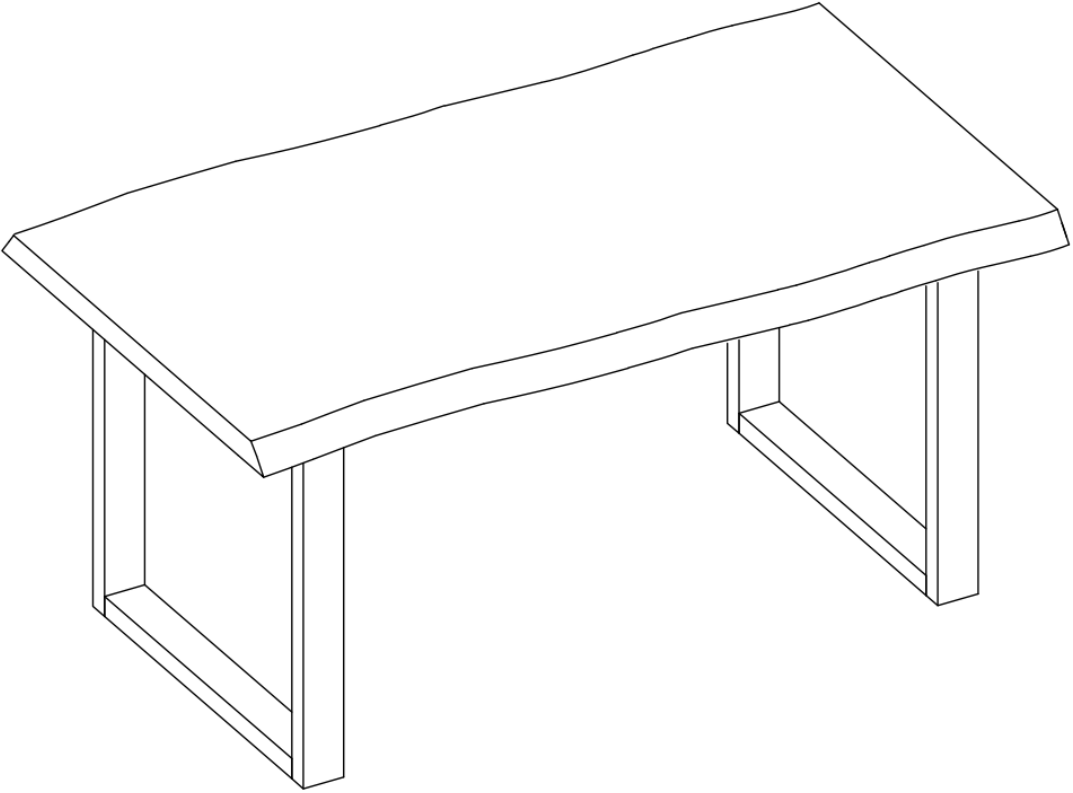
STEP 2:

Attach the Legs (2) to the Table Top (1) with Bolts (a), Spring washers (b), Washers (c), using Allen key (d).
Turn the table over carefully.



STEP 3:

Assembly is complete.



CARE INSTRUCTIONS

Regular Cleaning

Wipe the surface regularly with a soft cloth dampened with warm water to remove dust. Never use abrasive cleaning agents.

Care During Regular Use

To prevent marks and stains, ALWAYS place coasters under glasses, cups and mugs. Use adequately thick mats beneath hard objects that might scratch the surface. Always blot spills up immediately with a clean, damp cloth.