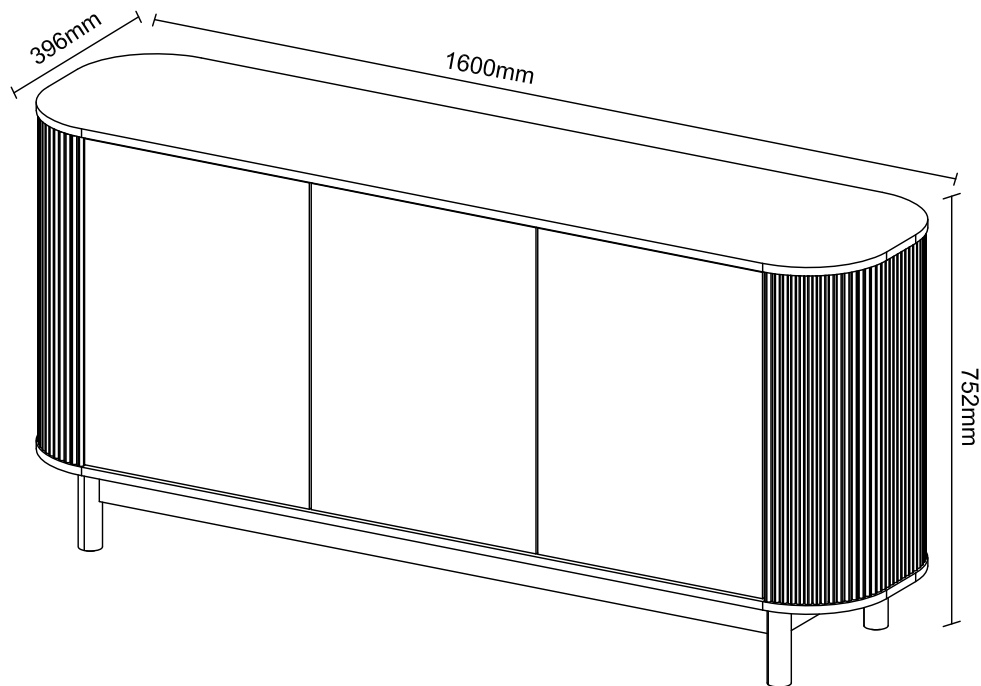


Assembly Instructions

VILLENEUVE SIDEBOARD



MAXIMUM WEIGHT CAPACITY OF THIS UNIT IS 30 KG.

Please read the Assembly Instructions carefully
before assembling.

Imported by Sourcebynet Australia Pty Ltd.

Important safety instructions

DANGER!

Children have died from furniture tip over.

Toppling Hazard Warning

- ALWAYS secure items with an anchor device
- For safety reasons, we recommend you follow the provided instructions
- When installed properly, the provided hardware may prevent the unit from tipping over unexpectedly.
- Never let children climb or hang on drawers, doors or shelves.
- NEVER open more than one drawer at a time
- Place heavy items down low
- For advice on suitable fastening devices, contact your local specialized dealer



WARNING

FAILURE TO FOLLOW THESE BASIC STEPS CAN LEAD TO DAMAGE THAT IS NOT COVERED BY YOUR WARRANTY

1. Read Instructions carefully. Check no parts are missing.
2. Lay out all of the components on a soft surface as if you were preparing to do a jigsaw puzzle.
3. Carefully identify each component , especially those that are similar. The most common mistake is getting things back to front.
4. Separate and identify each component from the hardware pack and rest each one in its proper location before fastening.
5. **DO NOT** fully tighten screws (leave slightly loose). When the item is fully assembled tighten the screws - but do not over tighten.

Warning: In order to prevent overturning this product must be used with the wall attachment device provided.

Daily Care :

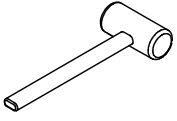
Water and other liquids can cause discoloration and damage to the surface. In case any liquids are spilled on the surface, remove immediately with a clean cloth. Avoid rubbing the spilled liquid into the veneer, but wipe gently, using a clean, firmly wrung damp cloth. If stains or marks persist, seek professional help and advice.

Woods expand and contract according to the surrounding humidity and temperature. In case of temperature and humidity fluctuations, the wood might warp and/or crack. To avoid this, do not place the furniture near a radiator or in hot surroundings.

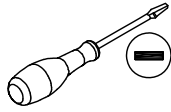
Take care when moving the furniture across the floor. Do not drag the furniture, as this can cause damage to both the furniture and the floor.

What you need

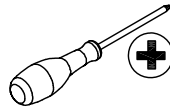
To assemble the product



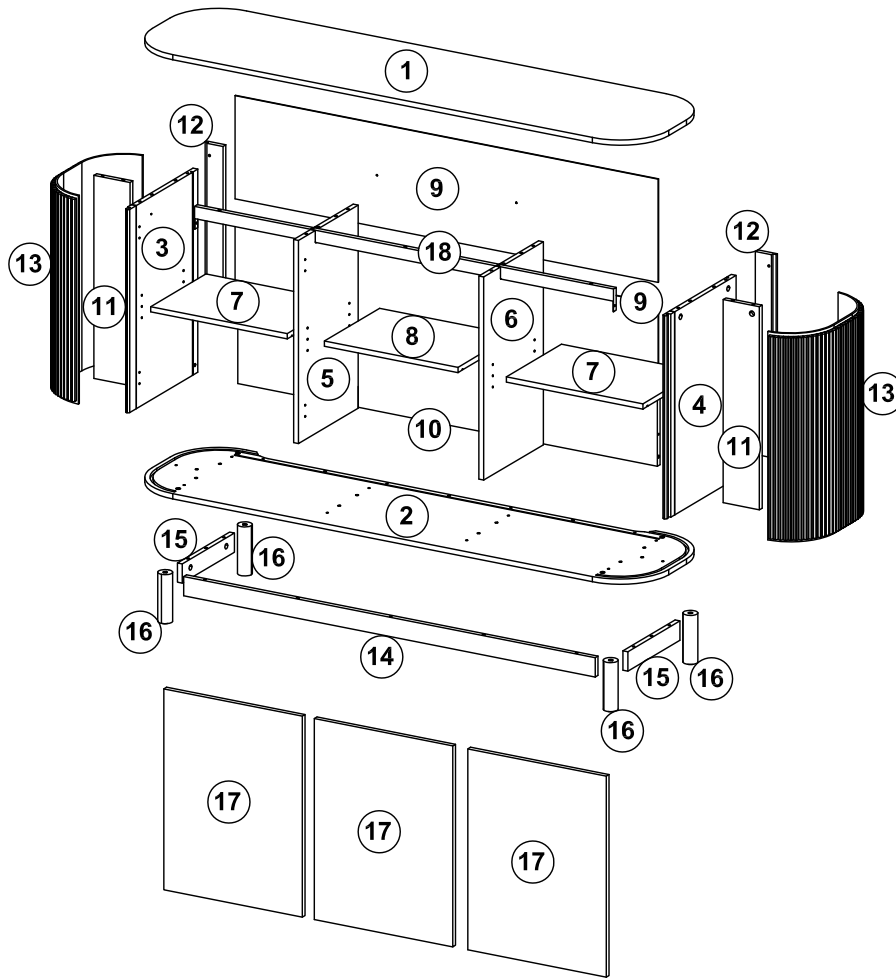
Mallet




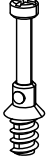
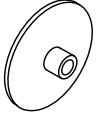
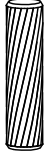

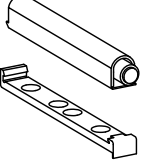
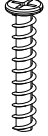



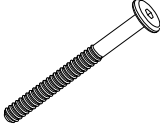

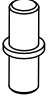
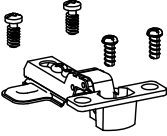
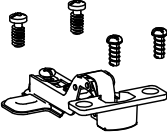

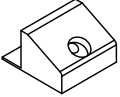
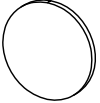
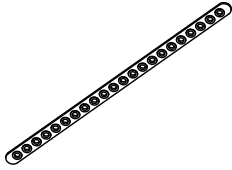


Flat Screw driver



Phillips Screw driver



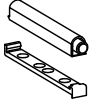


NO.	PART LIST	QTY	NO.	PART LIST	QTY
(1)	Top Panel	1	(10)	Rear Panel	1
(2)	Bottom Panel	1	(11)	Side Support	2
(3)	Left Panel	1	(12)	Rear Support	2
(4)	Right Panel	1	(13)	Curve Panel	2
(5)	Left Divider	1	(14)	Large Bottom Support	1
(6)	Right Divider	1	(15)	Small Bottom Support	2
(7)	Side Shelf	2	(16)	Leg	4
(8)	Middle Shelf	1	(17)	Door	3
(9)	Back Panel	2	(18)	Metal Support	1

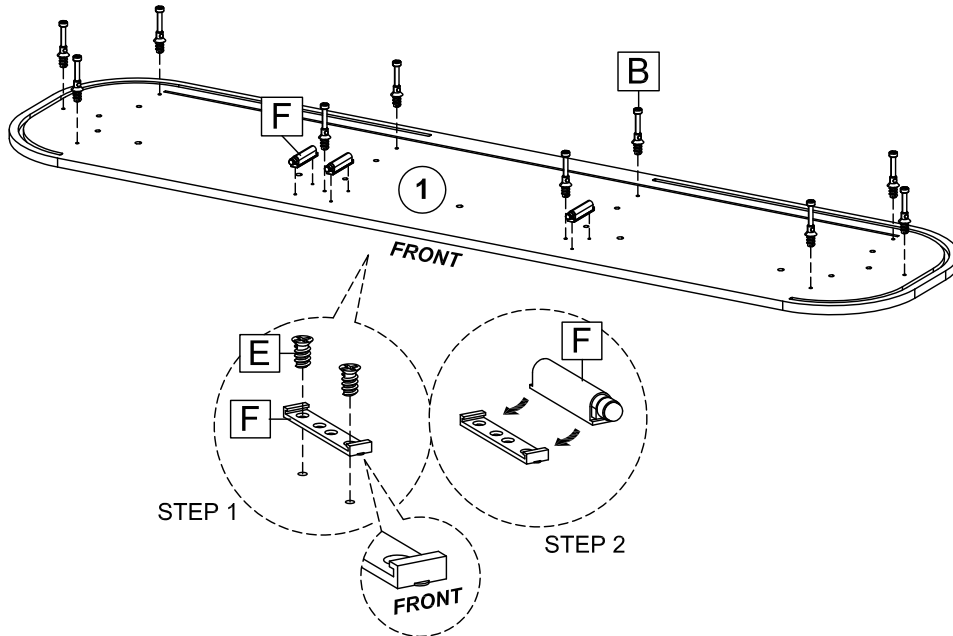
 <p>17 x Cam Lock Ø15x12mm (A)</p>	 <p>17 x Cam Bolt Ø7.5x32mm (B)</p>	 <p>11 x Cam Cap Ø17mm (C)</p>	 <p>29 x Plastic Dowel Ø8x32mm (D)</p>
 <p>6 x Screw Ø6x8mm (E)</p>	 <p>3 x Push To Open (F)</p>	 <p>22 x Screw Ø10x33.5mm (G)</p>	 <p>5 x Screw Ø6x45mm (H)</p>
 <p>5 x washer Ø6mm (I)</p>	 <p>2 x Screw Ø4x10mm (J)</p>	 <p>4 x Screw Ø6x30mm (K)</p>	 <p>1 x Allen Key (L)</p>
 <p>12 x Shelf pin (M)</p>	 <p>2 x Half Curve Door Hinge (N)</p>	 <p>4 x Full Curve Door Hinge (O)</p>	 <p>12 x Screw Ø4x19mm (P)</p>
 <p>12 x Backply Stopper (Q)</p>	 <p>4 x Foam Sticker Ø30mm (R)</p>	 <p>2 x Wall Bracket (S)</p>	 <p>6 x Screw Ø3x12mm (T)</p>
 <p>1 x H-Profile (U)</p>			

Please make sure you have all these parts before you start.



Step 1

You will need		
		
10 x Cam Bolt (B)	6 x Screw (E)	3 x Push To Open (F)

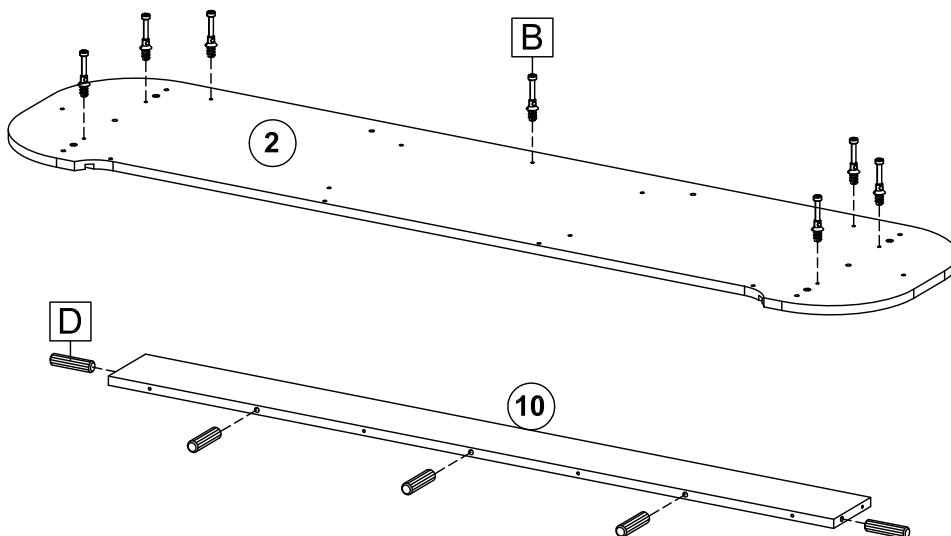
Screw 10 x Cam Bolts (B) into Top Panel (1).
Attach 3 x Push To Open (F) using 6 x Screws (E).



Step 2

You will need	
	
7 x Cam Bolt (B)	5 x Plastic Dowel (D)

Screw 7 x Cam Bolts (B) into Bottom Panel (2).
Insert 5 x Plastic Dowel (D) into Rear Panel (10).
If necessary, gently tap the Plastic dowels with a mallet.



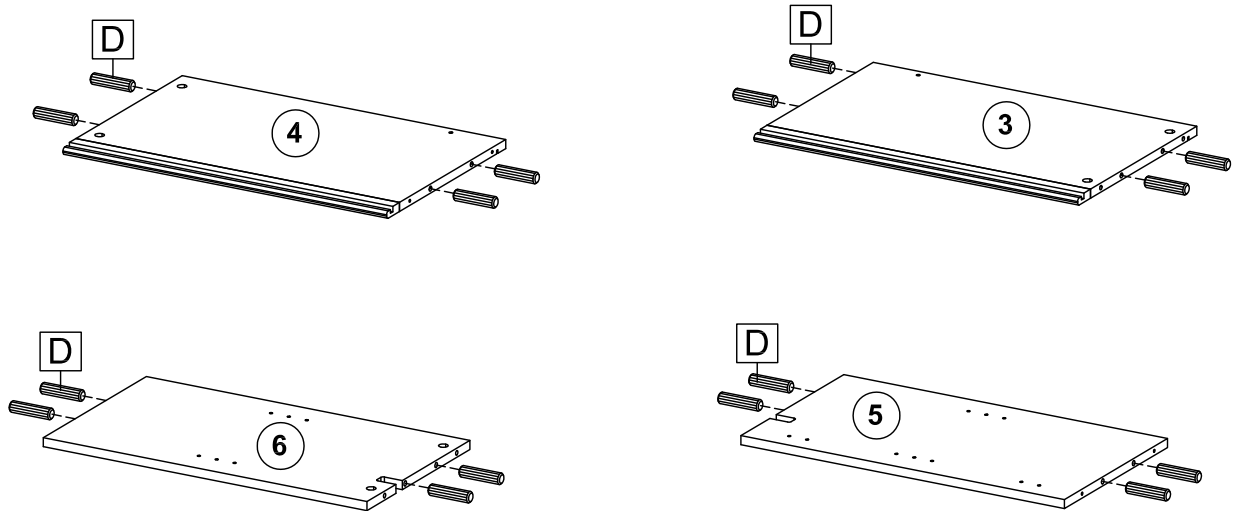
Step 3

You will need



16 x Plastic Dowel (D)

Insert 16 x Plastic Dowel (D) into Left Panel (3), Right Panel (4), Left Divider (5) and Right Divider (6).
If necessary, gently tap the Plastic dowels with a mallet.



Step 4

You will need

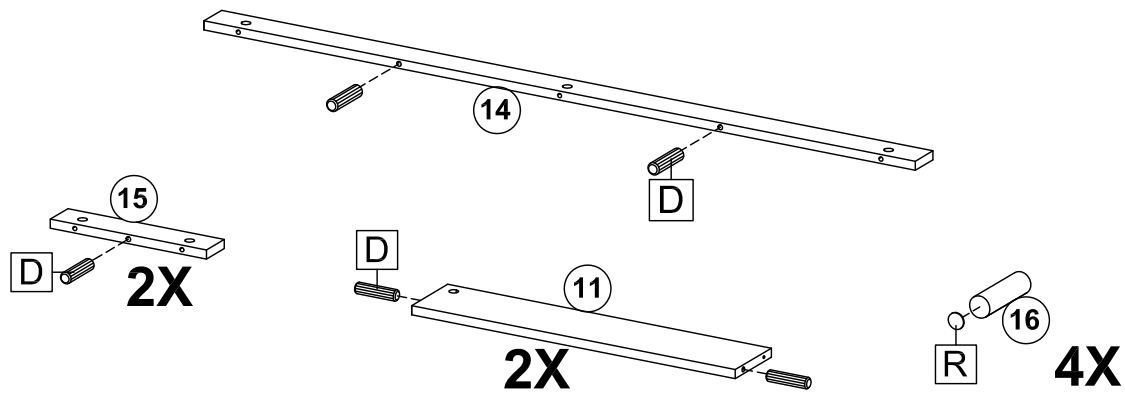


8 x Plastic Dowel (D)



4 x Sticker Foam (R)

Insert 8 x Plastic Dowel (D) into Side Support (11), Large Bottom Support (14) and Small Bottom Support (15).
If necessary, gently tap the Plastic dowels with a mallet.
Paste 4 x Sticker Foam (R) to Leg (16).



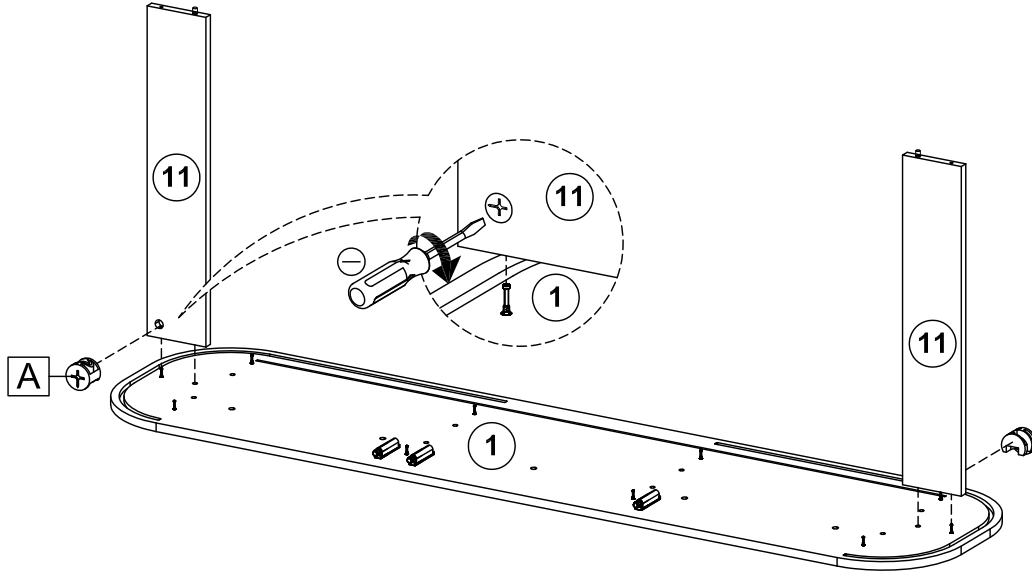
Step 5

You will need



2 x Cam Lock
(A)

Attach 2 x Side Support (11) to Top Panel (1) using 2 x Cam lock (A) as shown, Use a screwdriver to turn the Cam lock clockwise to lock.



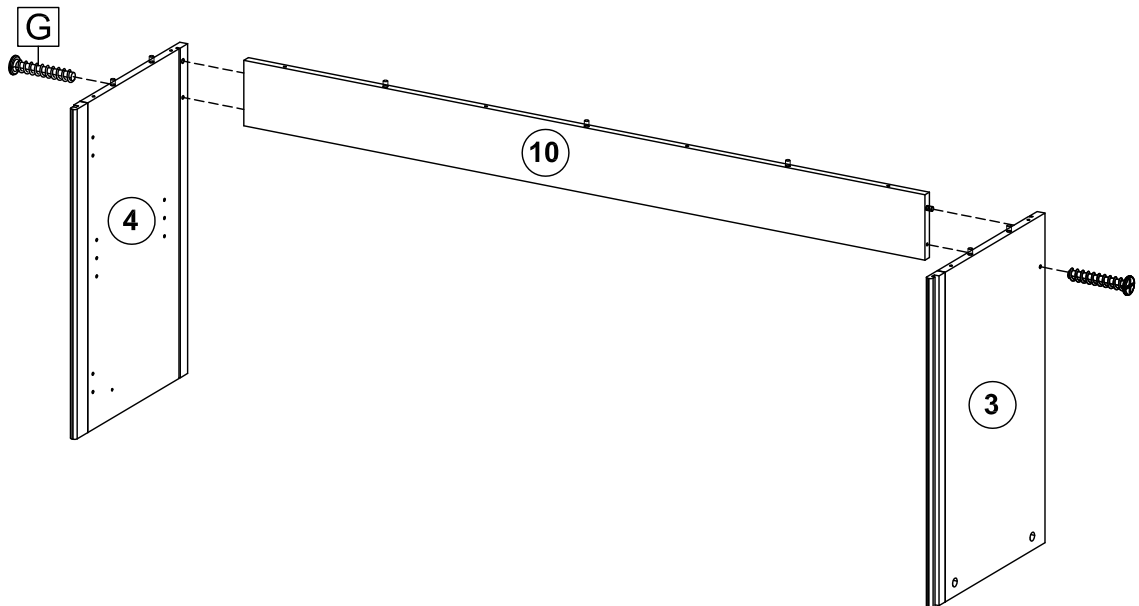
Step 6

You will need



2 x Screw
(G)

Attach Left Panel (3) and Right Panel (4) to Rear Panel (10) using 2 x Screws (G).



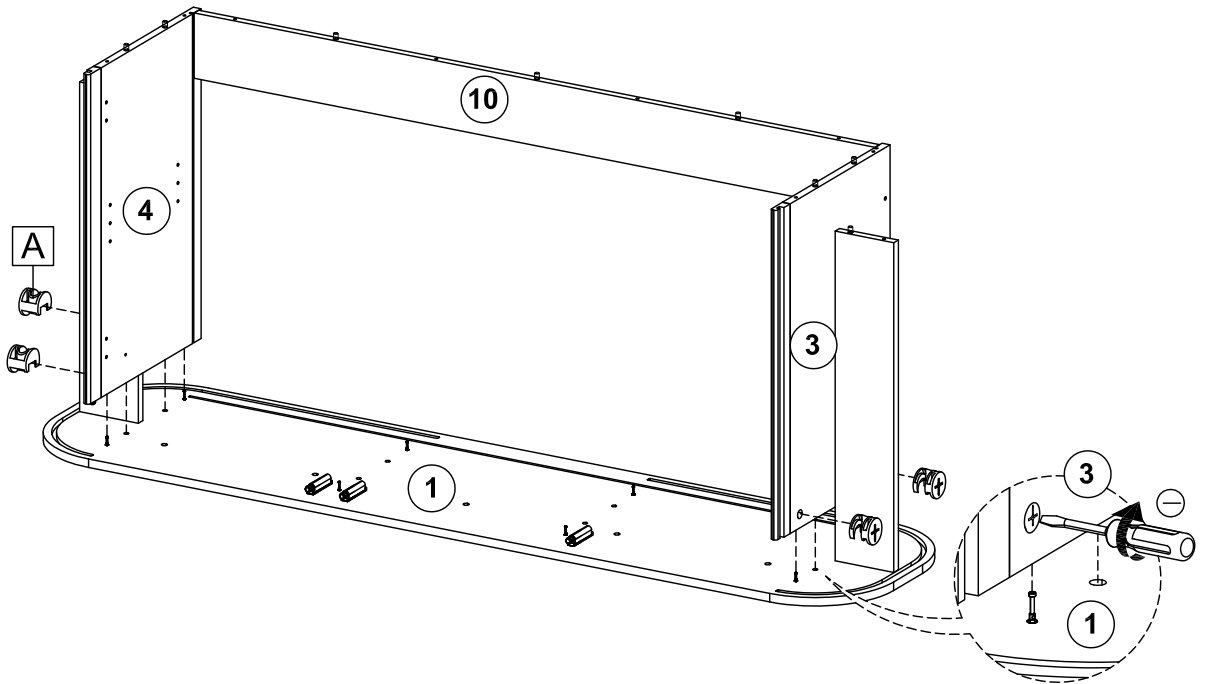
Step 7

You will need



4 x Cam Lock
(A)

Attach Case Assembly to Top Panel (1) using 4 x Cam lock (A) as shown, Use a screwdriver to turn the Cam lock clockwise to lock.



Step 8

You will need



5 x Screw
(H)



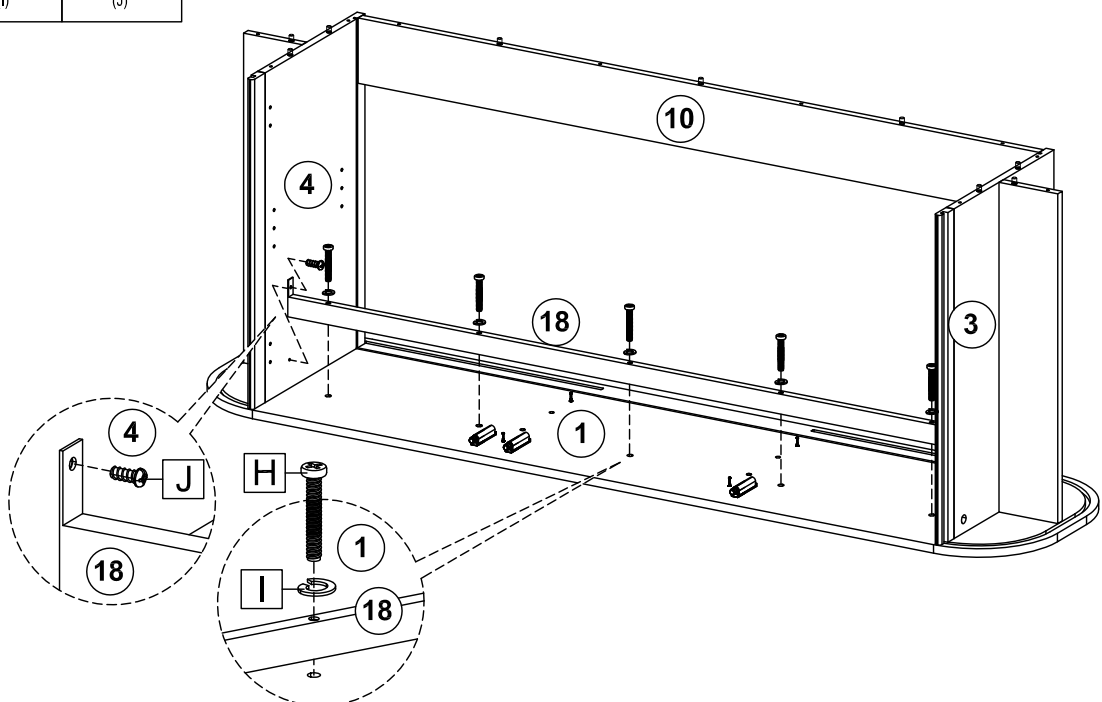
5 x washer
(I)



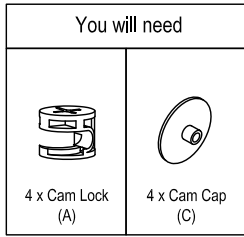
2 x Screw
(J)

Attach Metal Support (18) to Top Panel (1) using 5 x screws (H) and 5 x Washer (I) as shown.

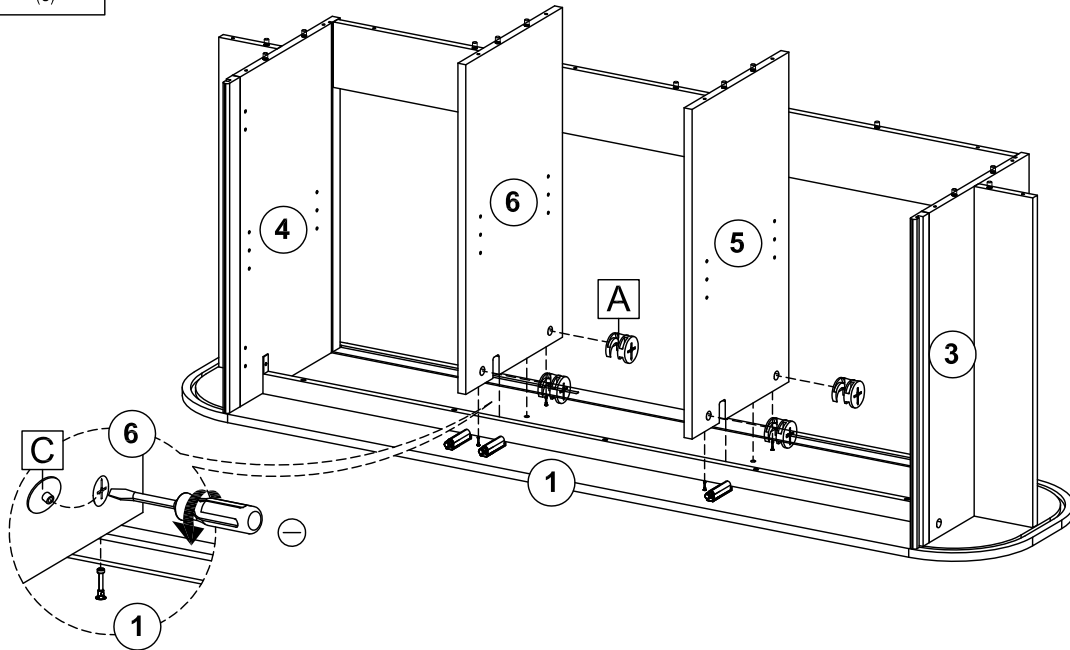
Tighten Metal Support (18) with Left Panel (3) and Right Panel (4) using 2 x screws (J).



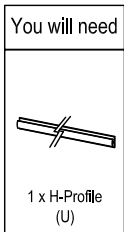
Step 9



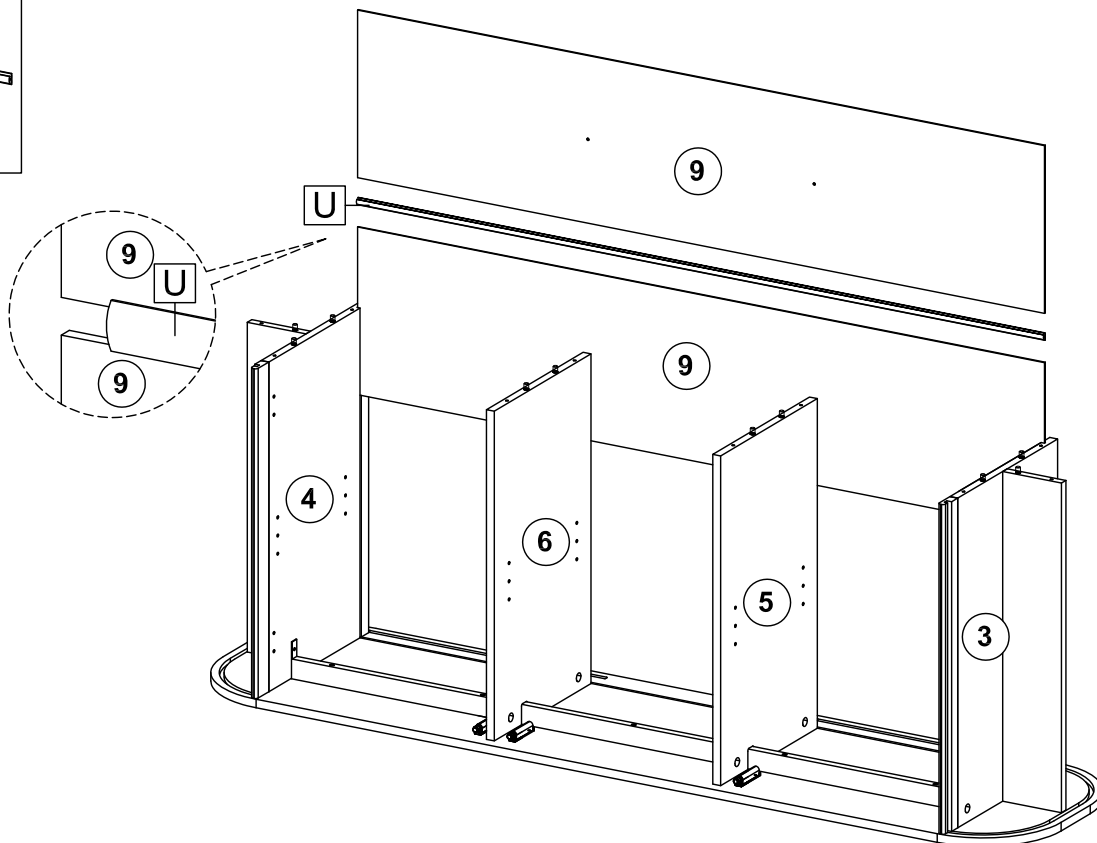
Attach Left Divider (5) and Right Divider (6) to Top Panel (1) using 4 x Cam lock (A) as shown, Use a screwdriver to turn the Cam lock clockwise to lock. Paste 4 x Cam Cap (C) as shown.



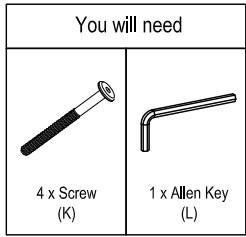
Step 10



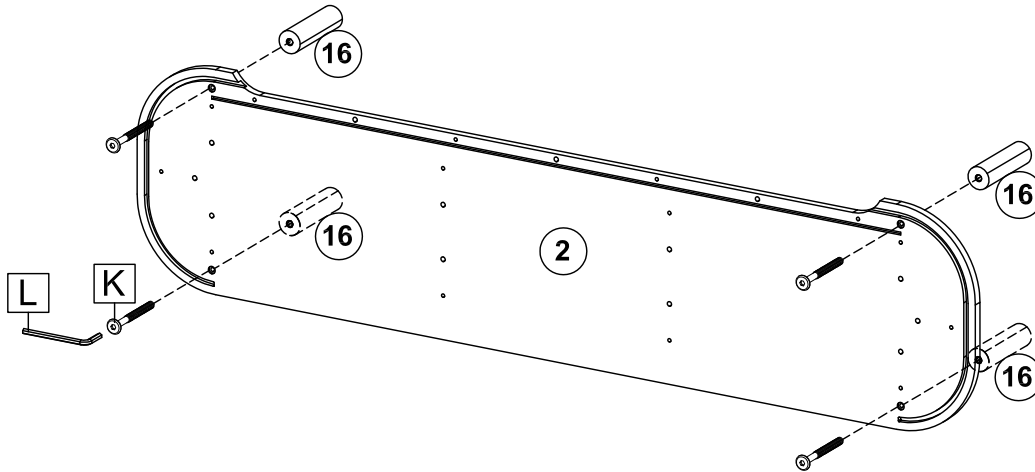
Insert 2 x Back Panel (9) into case assembly as shown. Insert H-profile (U) in the between 2 x Rear Panel (9).



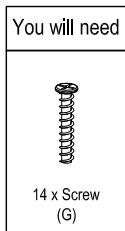
Step 11



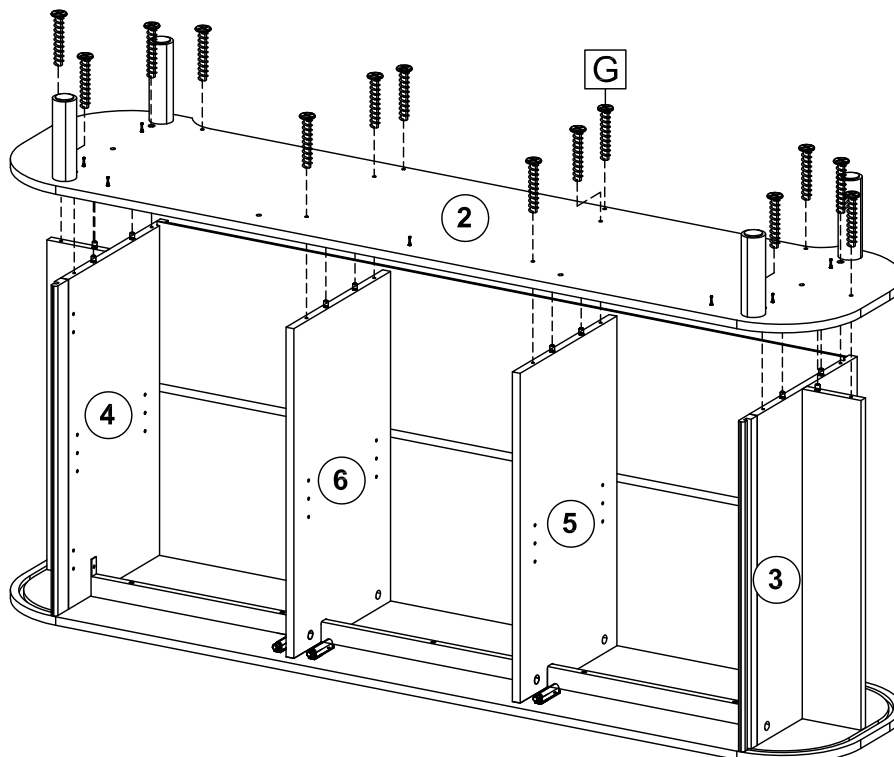
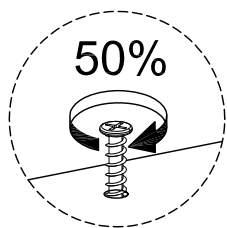
Attach 4 x Leg (16) to Bottom Panel (2) using 4 x Screws (K) as shown. Tighten 4 x Screws (K) with Allen Key (L).



Step 12

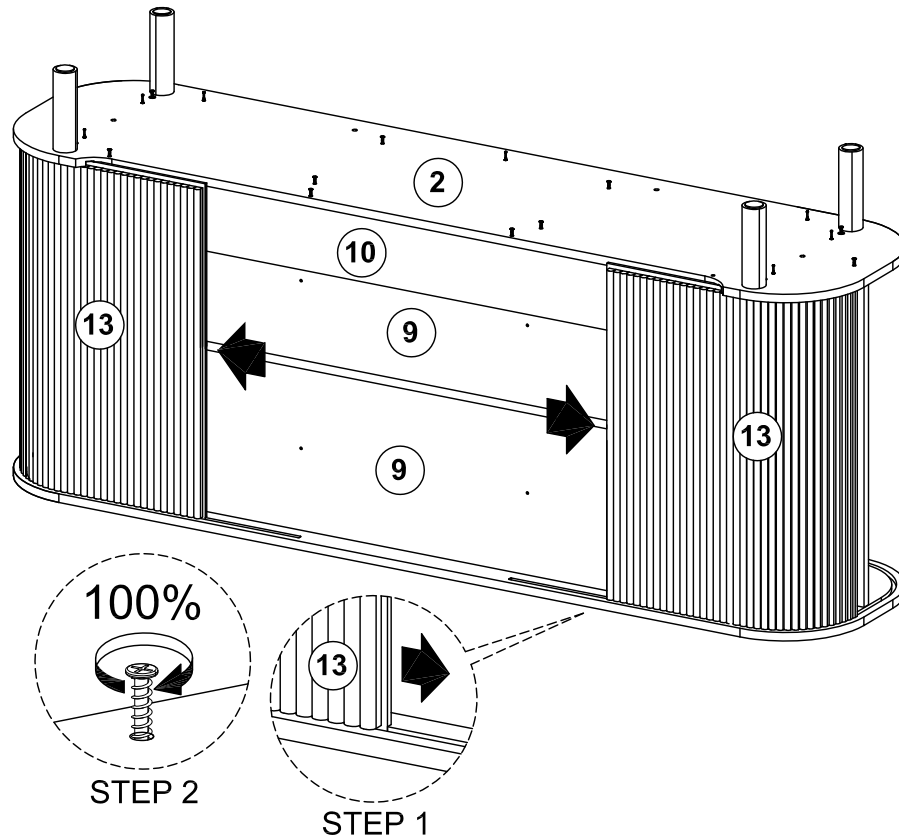


Attach Bottom Panel (2) to case assembly using 14 x Screws (G). **Tighten 50% Screws (G)** before fixing the Case assembly.

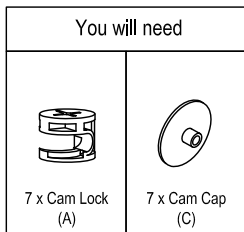


Step 13

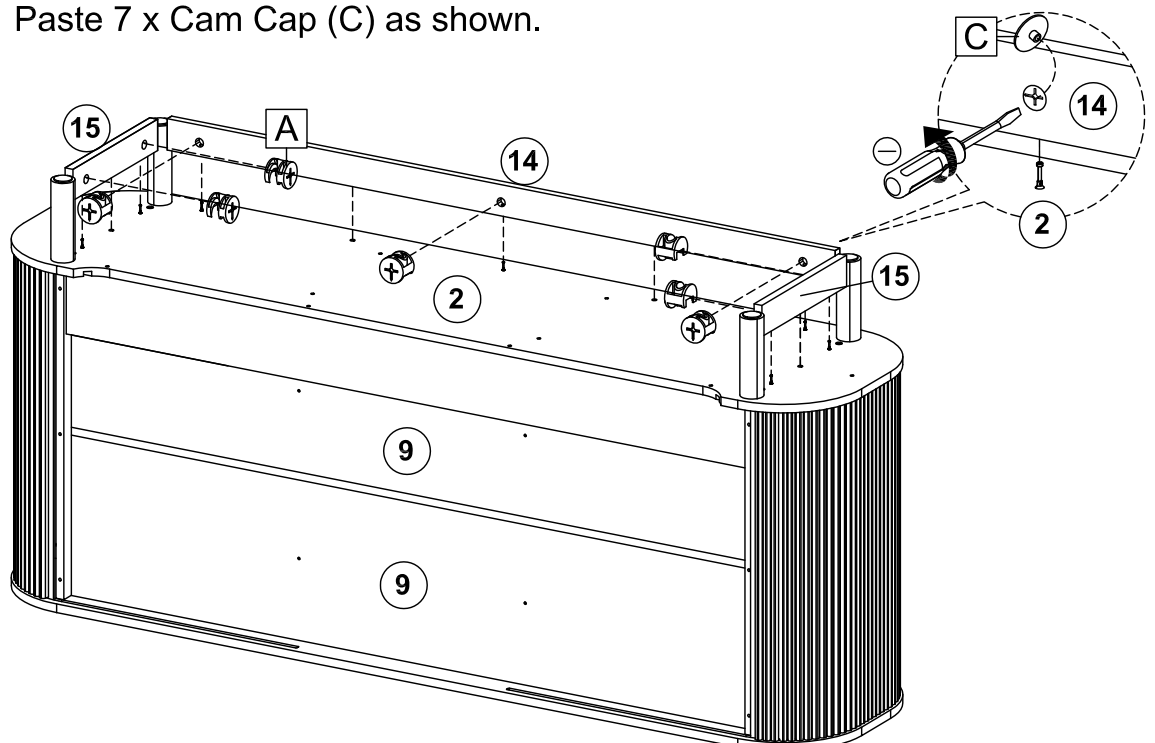
Insert 2x Curve Panel (13) into case assembly as shown, then **Tighten 100% Screws (G)** until fixed.




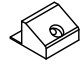

Step 14



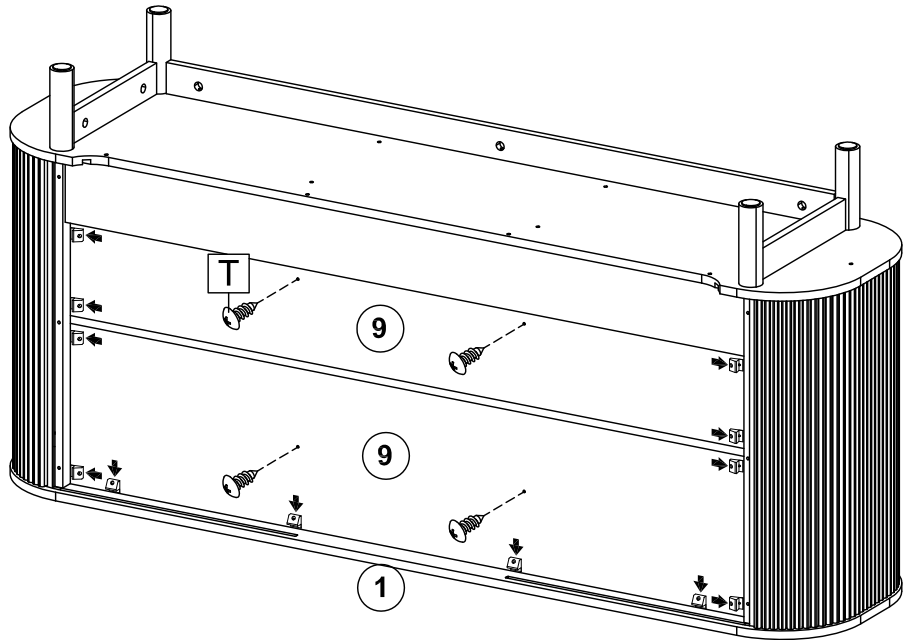
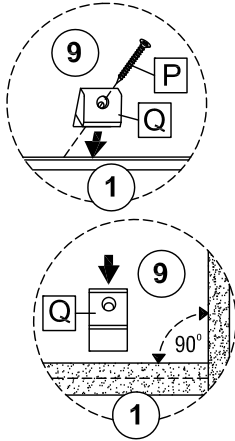
Attach Large Bottom Support (14) and 2x Small Bottom Support (15) to case assembly using 7 x Cam lock (A) as shown, Use a screwdriver to turn the Cam lock clockwise to lock. Paste 7 x Cam Cap (C) as shown.




Step 15

You will need		
		
12 x Screw (P)	12 x Backply Stopper (Q)	4 x Screw (T)

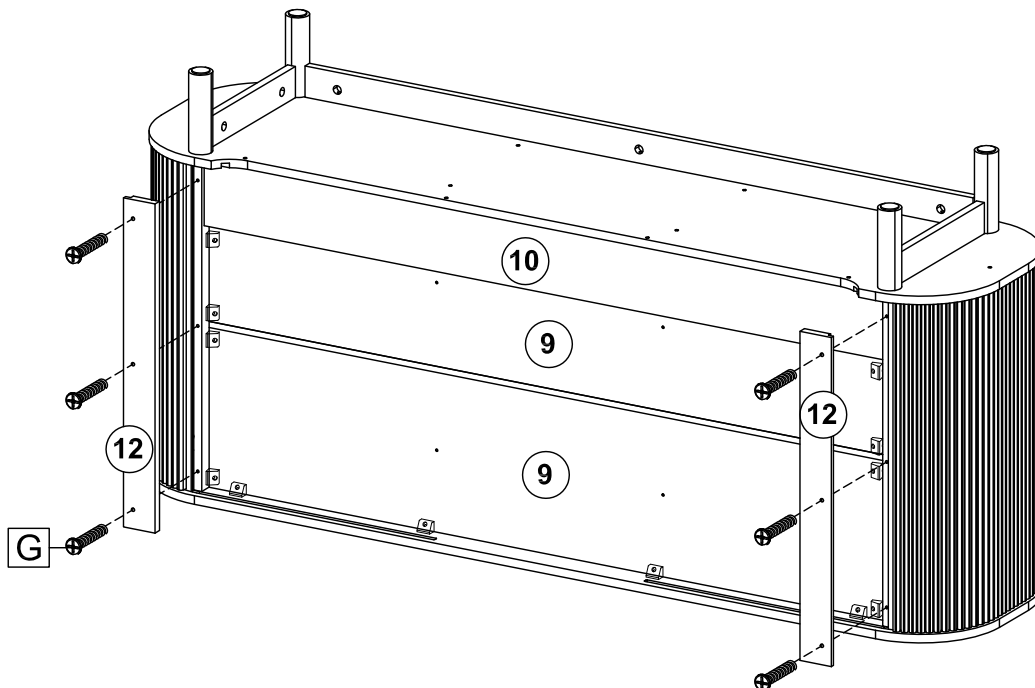
Install 12 x Backply Stopper (Q) to Back Panel (9) using 12 x Screws (P).
Strengthen Back Panel (9) using 4 x Screws (T).



Step 16

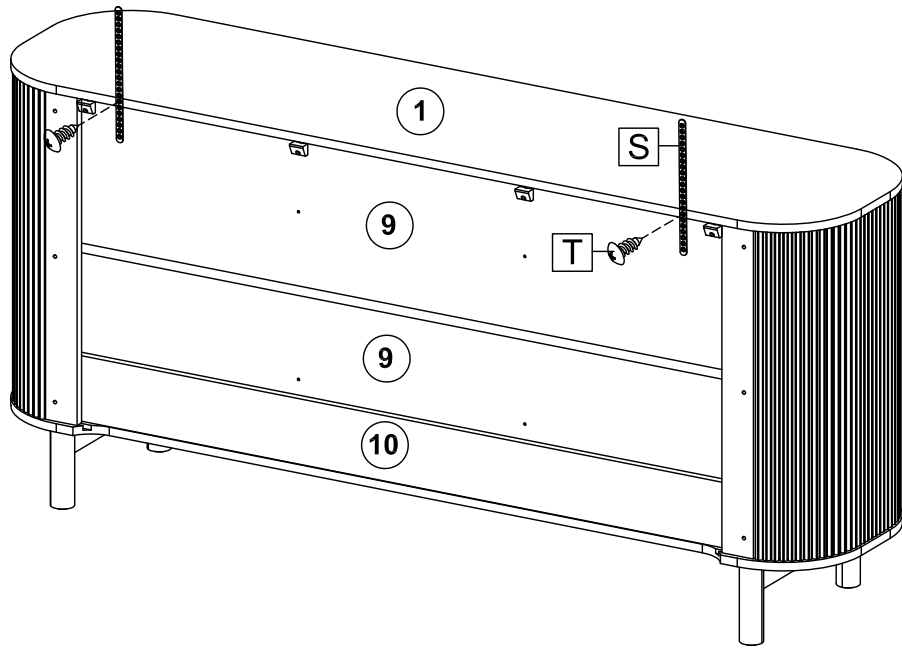
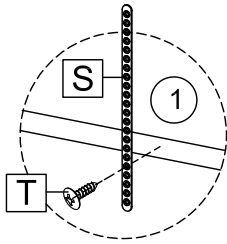
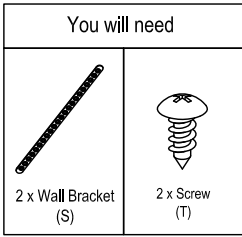
You will need

6 x Screw (G)

Attach 2 x Rear Support (12) to Case Assembly using 6 x Screws (G) as shown.



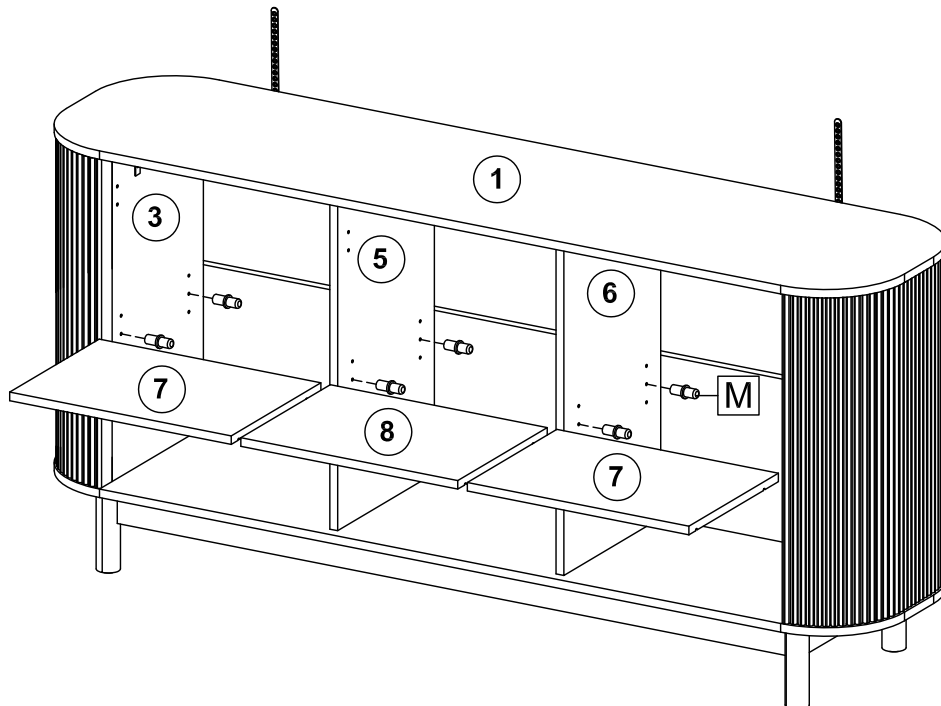
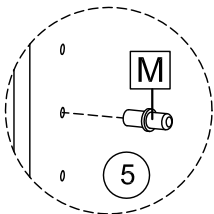
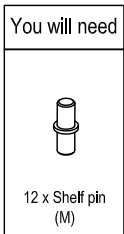
Step 17

Install 2 x Wall Bracket (S) to Top Panel (1) using 2 x Screws (T).

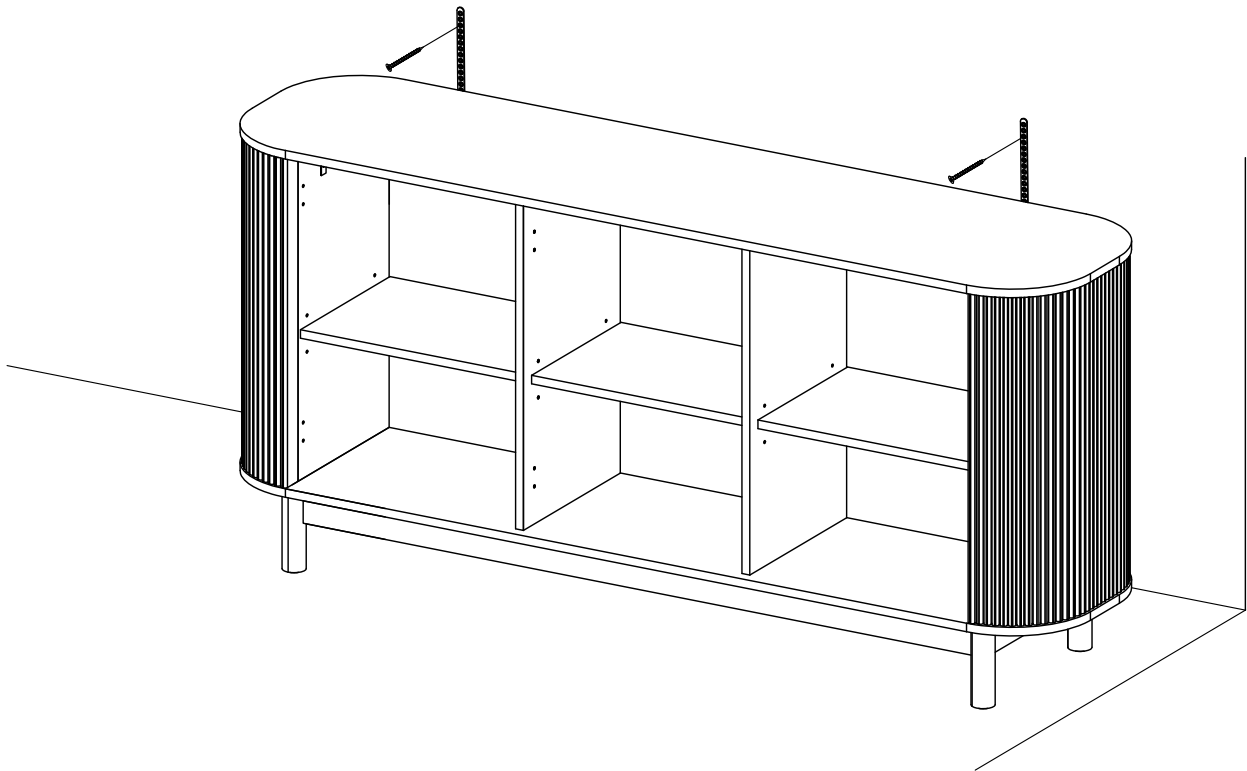


Step 18

Insert 12 x Shelf Pin (M) into case assembly as shown.
Insert 2 x Side Shelf (7) and 1 x Middle Shelf (8) into case assembly as shown.



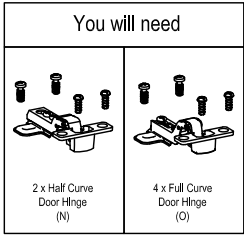
Step 19



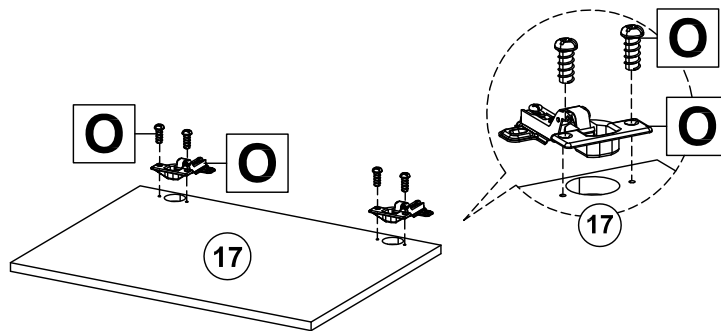
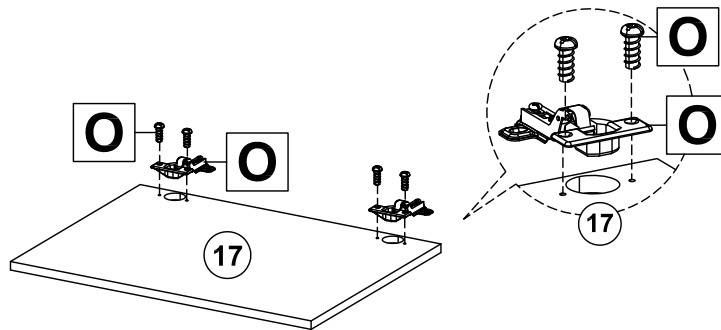
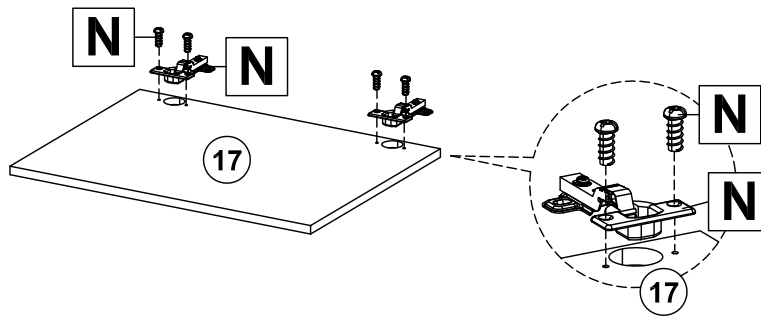
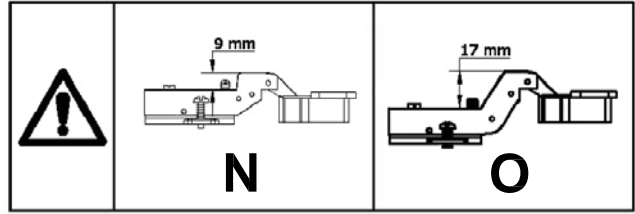
We strongly recommend that this product is permanently fixed to the wall or other suitable surface. Seek advice from a qualified trades person on how to attach this wall strap to your specific wall.

Screw and wall plug are not included.
Please use appropriate fixtures for your wall.
With assistance, move the product to the final position.
Attach the wall straps to the wall with the appropriate fixtures.
Make sure they are firmly attached and secure.

Step 20

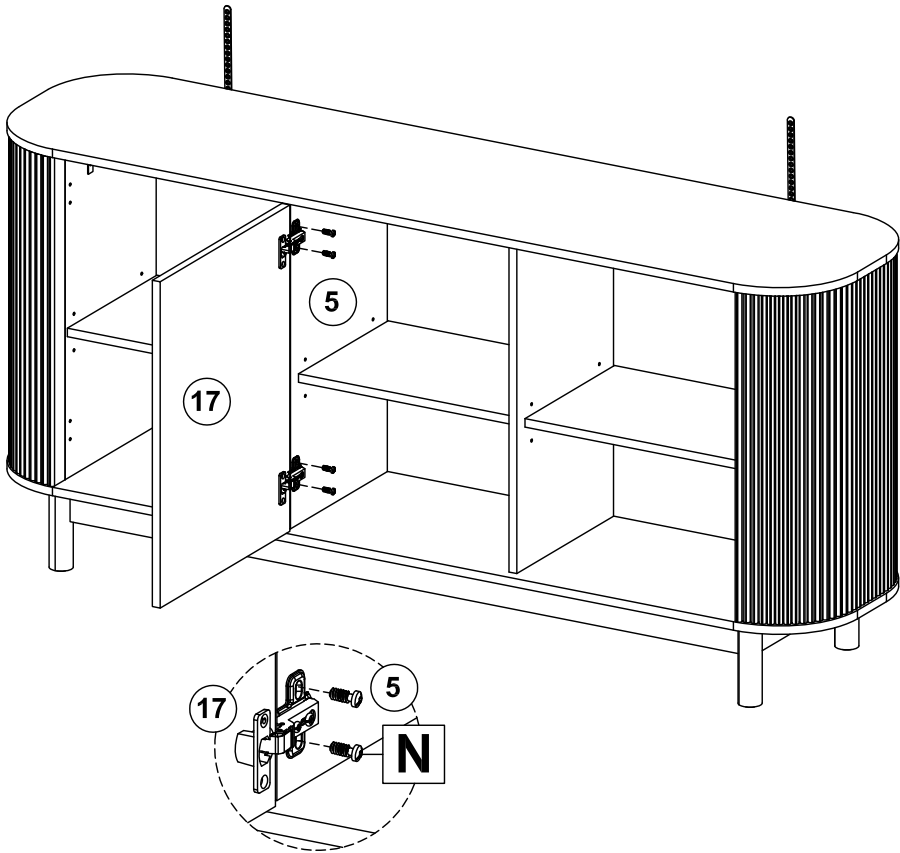


Attach 2 x Half Curve Door Hinge (N) to 1 x Door (17) as shown.
Attach 4 x Full Curve Door Hinge (O) to 2 x Door (17) as shown.

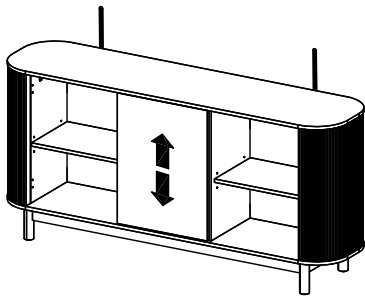


Step 21

Attach Door (17) to case assembly as shown.



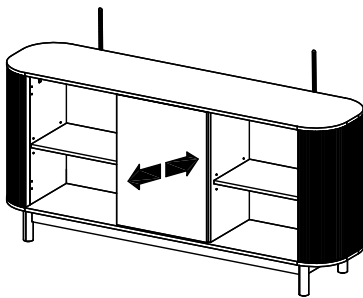
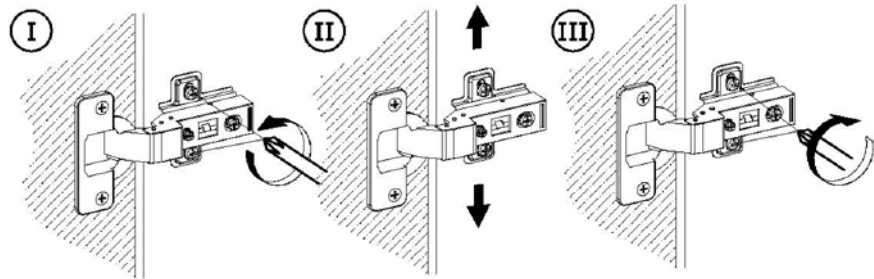
Step 22



If adjustment is necessary, please follow the steps below:

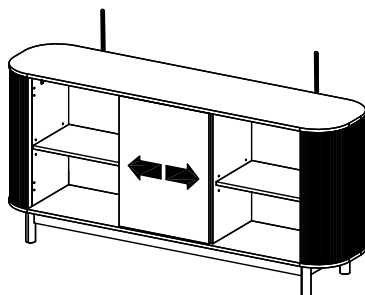
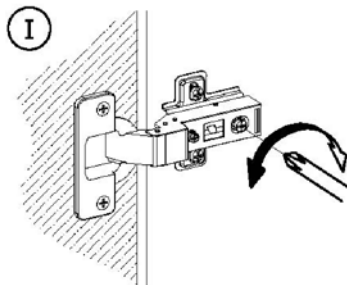
To move doors up or down:

Loosen the screws on the hinge plate and move the doors to suit.
Once doors are aligned, re-tighten the screws.



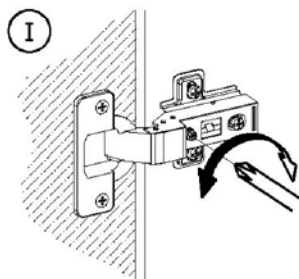
To move doors in or out:

loosen or tighten the screws on the hinge plate, as shown.



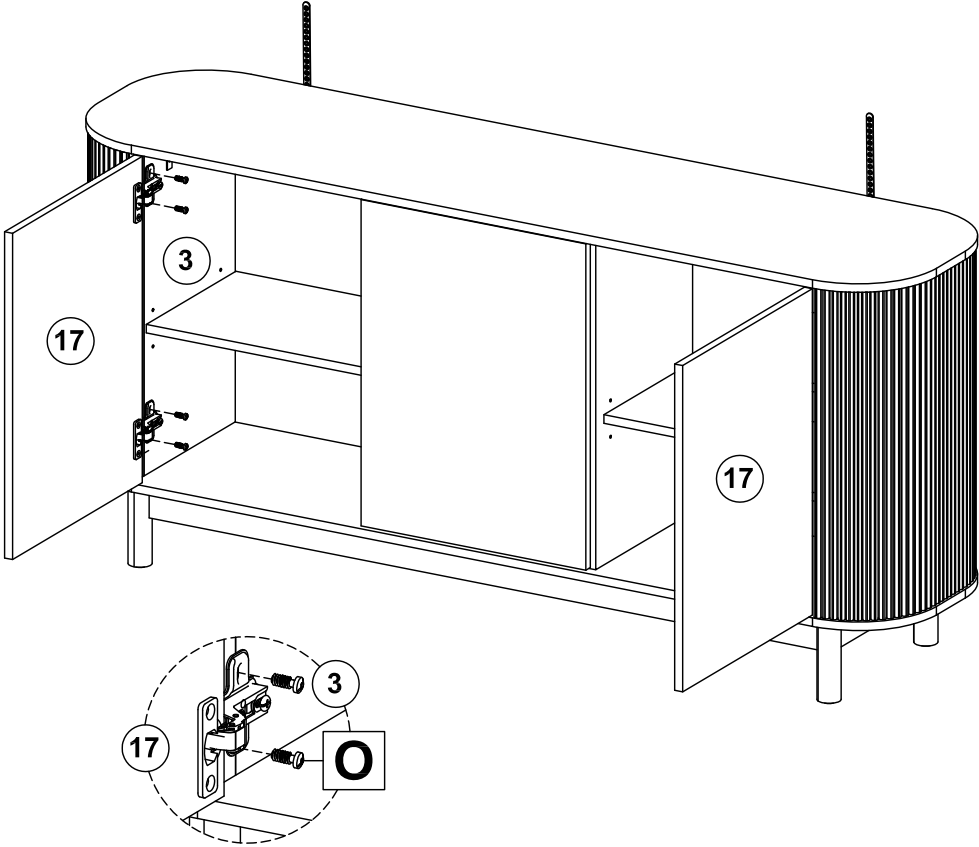
To move doors left or right:

loosen or tighten the screws to suit, as shown.

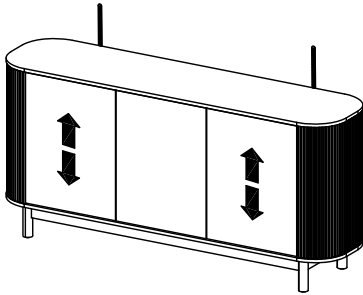


Step 23

Attach 2x Door (17) to case assembly as shown.

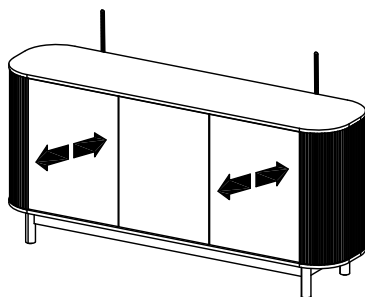
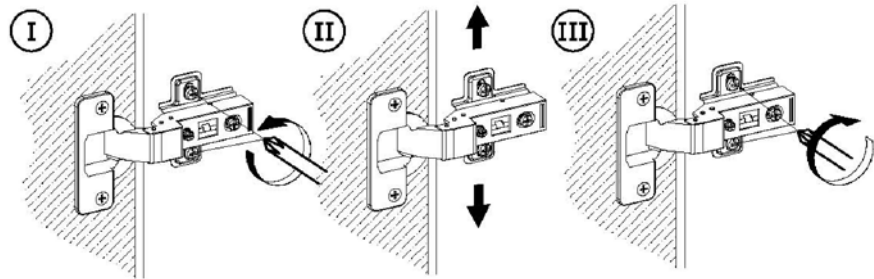


Step 24

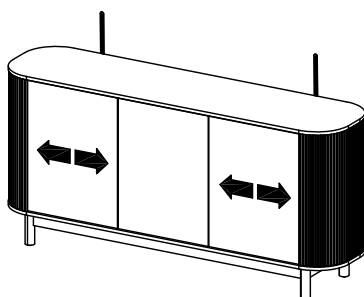
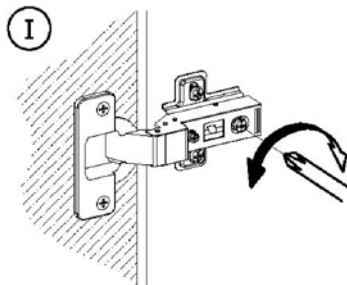


If adjustment is necessary, please follow the steps below:

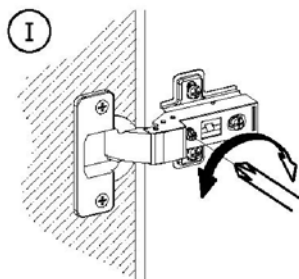
To move doors up or down:
Loosen the screws on the hinge plate and move the doors to suit.
Once doors are aligned, re-tighten the screws.



To move doors in or out:
loosen or tighten the screws on the hinge plate, as shown.

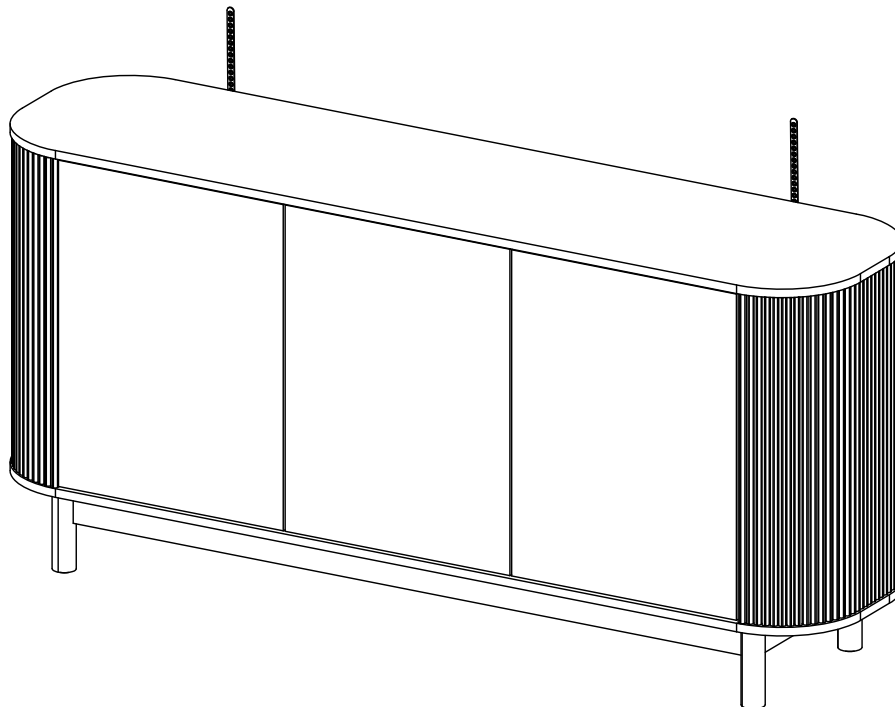
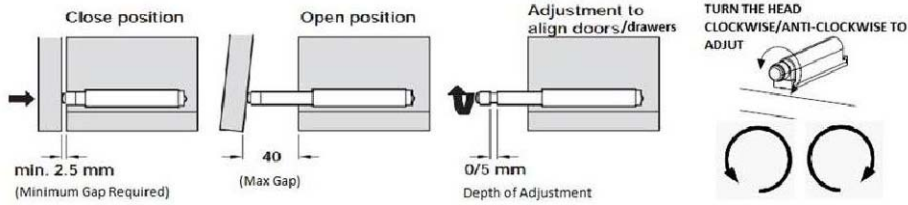
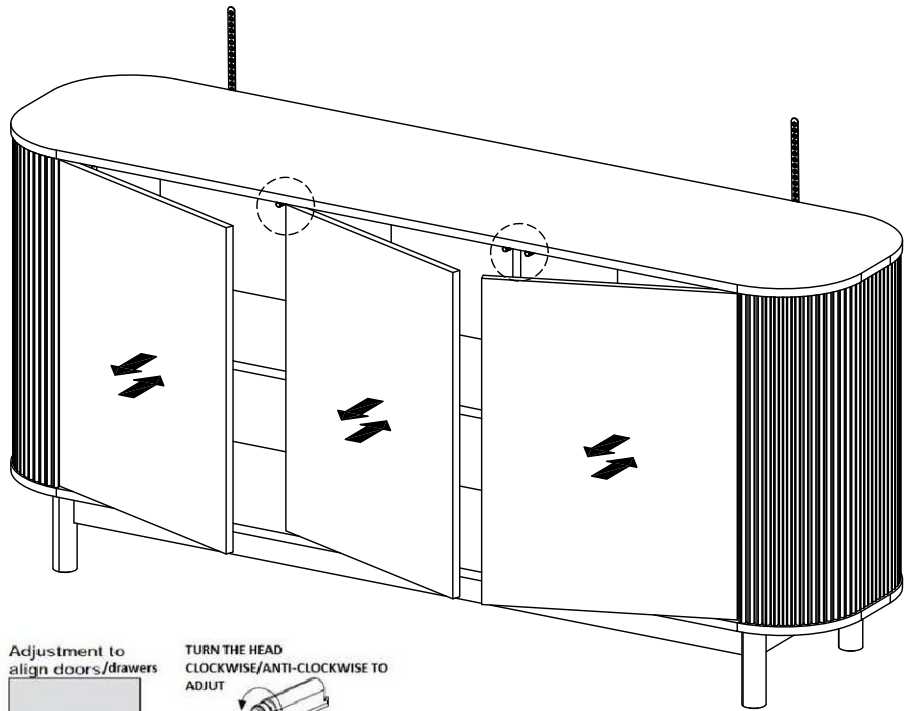


To move doors left or right:
loosen or tighten the screws to suit, as shown.



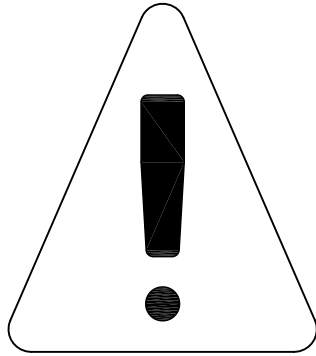
Step 25

After assembly, the push to open latches may need to be adjusted if it does not work well.



Job Complete !

In the interest of our environment Please dispose of all packaging thoughtfully.



THIS PRODUCT IS FINISHED WITH FOIL LAMINATE

Avoid placing hot items directly onto the surface unless using a thick insulation material such as placemats or coasters. Heat may lead to discolouration or other damage to the surface of the product.

Use a soft cloth that has been dampened in water to clean the surface of this product. Do not use abrasive cleaners, furniture wax or polish on the surface of this product, as it may damage the surface.

CAUTION: FREQUENT EXPOSURE TO DIRECT SUNLIGHT OR SIMILAR SOURCES MAY CAUSE THE SURFACE TO DISCOLOUR OR FADE.