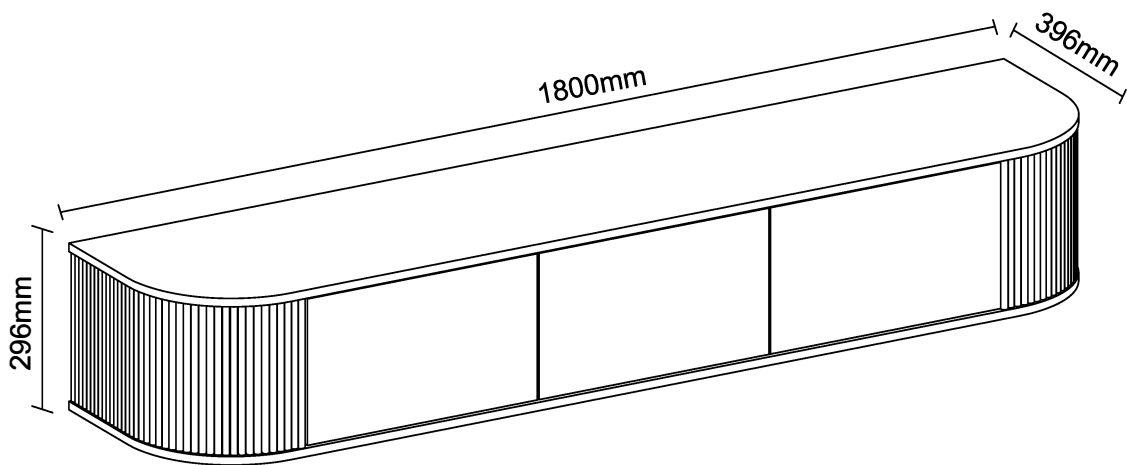


# Assembly Instructions

## Villeneuve Entertainment unit - Wall Mounted - 180CM



**THIS PRODUCT MUST BE WALL MOUNTED BY A QUALIFIED  
TRADESMAN/TECHNICIAN**

THIS WALL MOUNT CABINET IS FOR THE STORAGE OF COMPONENTS  
ONLY AND IS NOT INTENDED TO HAVE TV PLACED/STORED ON IT.  
MAXIMUM WEIGHT CAPACITY OF THIS UNIT IS 20 KG.

Please read the Assembly Instructions carefully  
before assembling.

Imported by PRODESIGN FURNITURE PTY LTD.

# WARNING

**FAILURE TO FOLLOW THESE BASIC STEPS CAN LEAD TO DAMAGE THAT IS NOT COVERED BY YOUR WARRANTY**

1. Read Instructions carefully. Check no parts are missing.
2. Lay out all of the components on a soft surface as if you were preparing to do a jigsaw puzzle.
3. Carefully identify each component , especially those that are similar. The most common mistake is getting things back to front.
4. Separate and identify each component from the hardware pack and rest each one in its proper location before fastening.
5. **DO NOT** fully tighten screws (leave slightly loose). When the item is fully assembled tighten the screws - but do not over tighten.

**THIS PRODUCT MUST BE WALL MOUNTED BY A QUALIFIED TRADESMAN/TECHNICIAN**

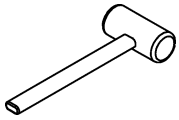
## Daily Care :

Water and other liquids can cause discoloration and damage to the surface. In case any liquids are spilled on the surface, remove immediately with a clean cloth. Avoid rubbing the spilled liquid into the veneer, but wipe gently, using a clean, firmly wrung damp cloth. If stains or marks persist, seek professional help and advice.

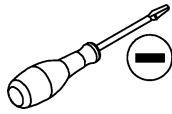
Woods expand and contract according to the surrounding humidity and temperature. In case of temperature and humidity fluctuations, the wood might warp and/or crack. To avoid this, do not place the furniture near a radiator or in hot surroundings.

# What you need

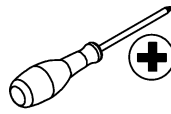
To assemble the product



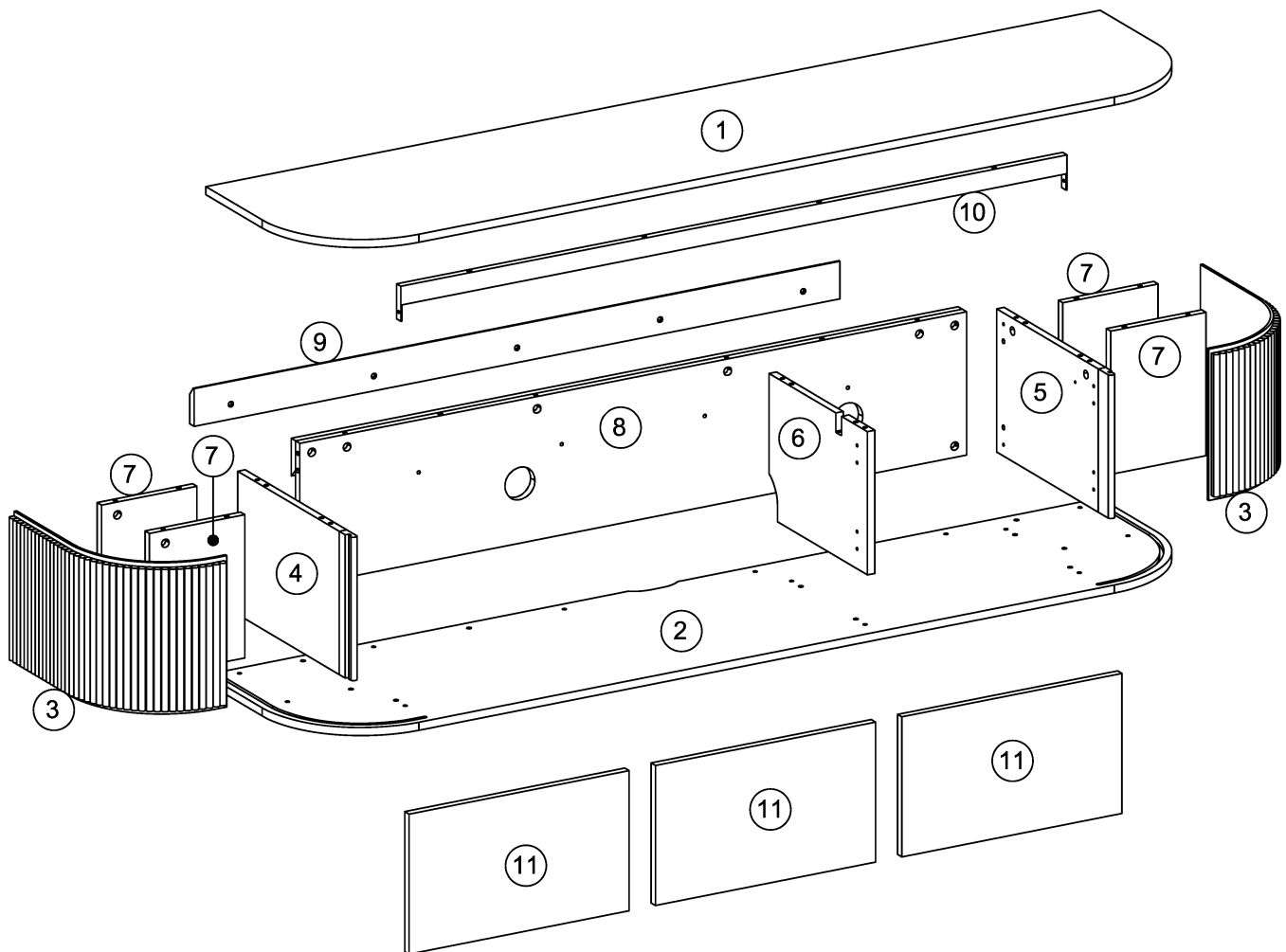
Mallet








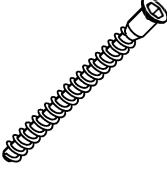


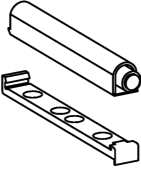

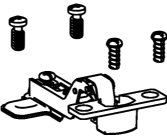

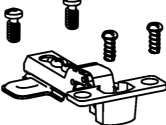

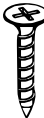
Flat Screw driver



Phillips Screw driver



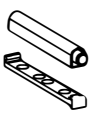


NO.	PART LIST	QTY	NO.	PART LIST	QTY
(1)	Top Panel	1	(7)	Side Support	4
(2)	Bottom Panel	1	(8)	Rear Panel	1
(3)	Curve Panel	2	(9)	Mounting Board	1
(4)	Left Panel	1	(10)	Metal Support	1
(5)	Right Panel	1	(11)	Door	3
(6)	Divider Panel	1			

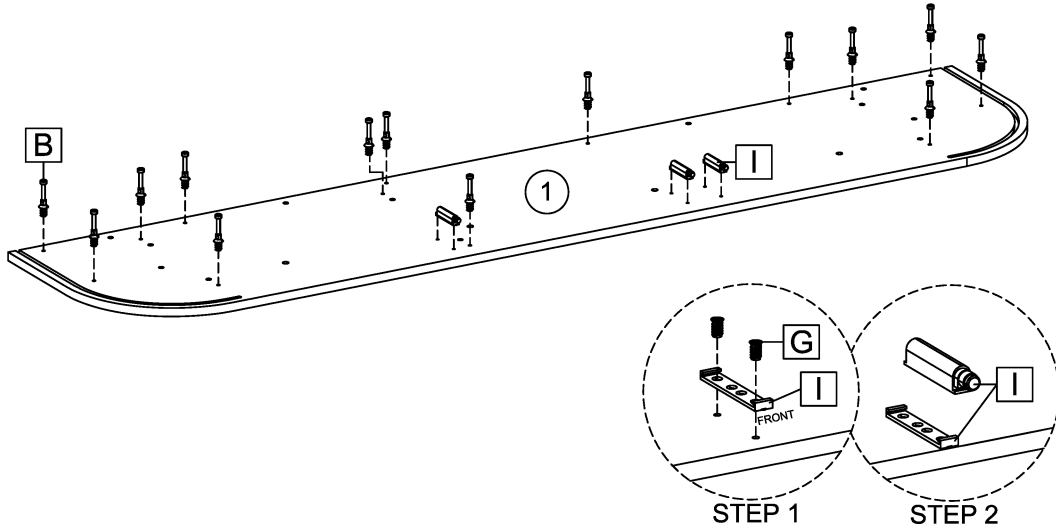
 <p>18 x Cam Lock Ø15x12mm (A)</p>	 <p>18 x Cam Bolt Ø7.5x32mm (B)</p>	 <p>18 x Cam Cap Ø17mm (C)</p>	 <p>28 x Plastic Dowel Ø8x32mm (D)</p>
 <p>2 x Screw Ø4x10mm (E)</p>	 <p>14 x Screw Ø6.3x50mm (F)</p>	 <p>6 x Screw Ø6x8mm (G)</p>	 <p>4 x Screw Ø6x45mm (H)</p>
 <p>3 x Push To Open (I)</p>	 <p>4 x Washer Ø6mm (J)</p>	 <p>4 x Full Curve Door Hinge (K)</p>	 <p>2 x Cable Holder (L)</p>
 <p>2 x Half Curve Door Hinge (M)</p>	 <p>1 x Allen Key (N)</p>	 <p>4 x Screw Ø6x25mm (O)</p>	

**Please make sure you have all these parts before you start.**




# Step 1

You will need		
		
14 x Cam Bolt (B)	6 x Screw (G)	3 x Push To Open (I)

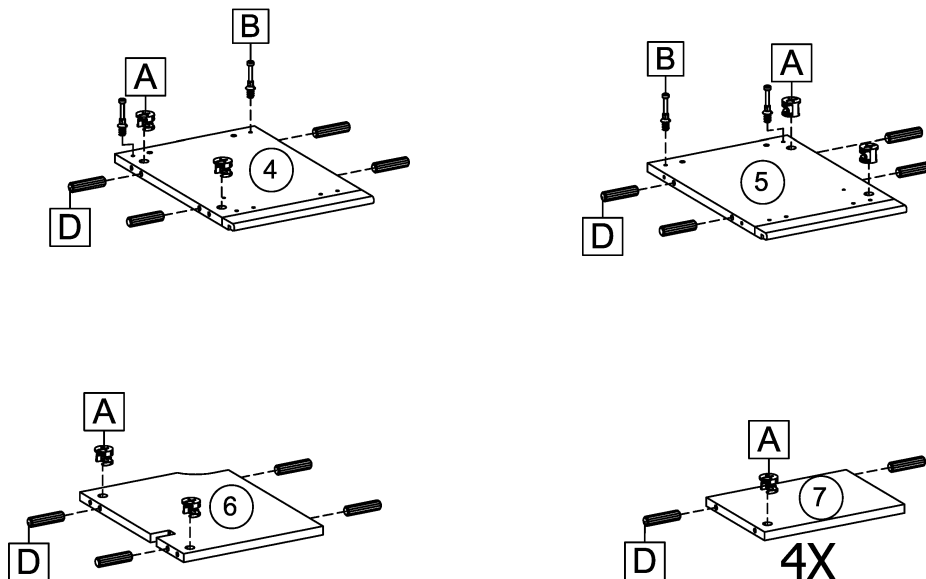
Screw 14 x Cam Bolts (B) into Top Panel (1).  
Attach 3 x Push To Open (I) using 6 x Screws (G).



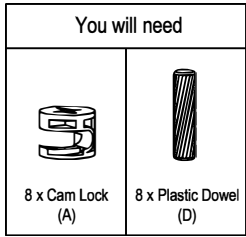
# Step 2

You will need		
		
10 x Cam Lock (A)	4 x Cam Bolt (B)	20 x Plastic Dowel (D)

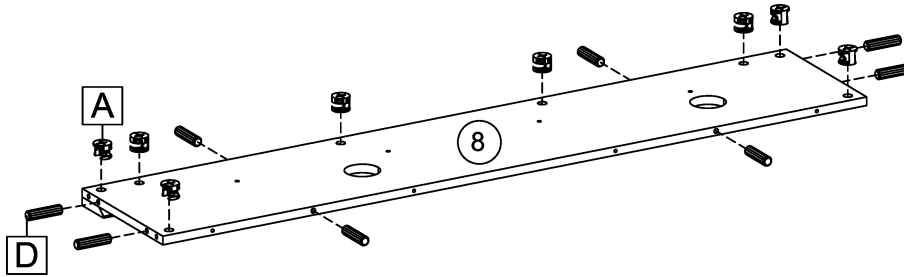
Screw 4 x Cam Bolts (B) into Left Panel (4) and Right Panel (5).  
Insert 10 x Cam Lock (A) and 20 x Plastic Dowel (D) into Left Panel (4),  
Right Panel (5), Divider Panel (6) and Side Support (7).  
If necessary, gently tap the Plastic dowels with a mallet.



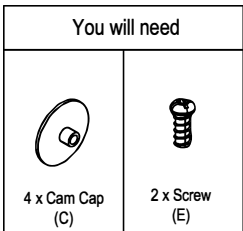
## Step 3



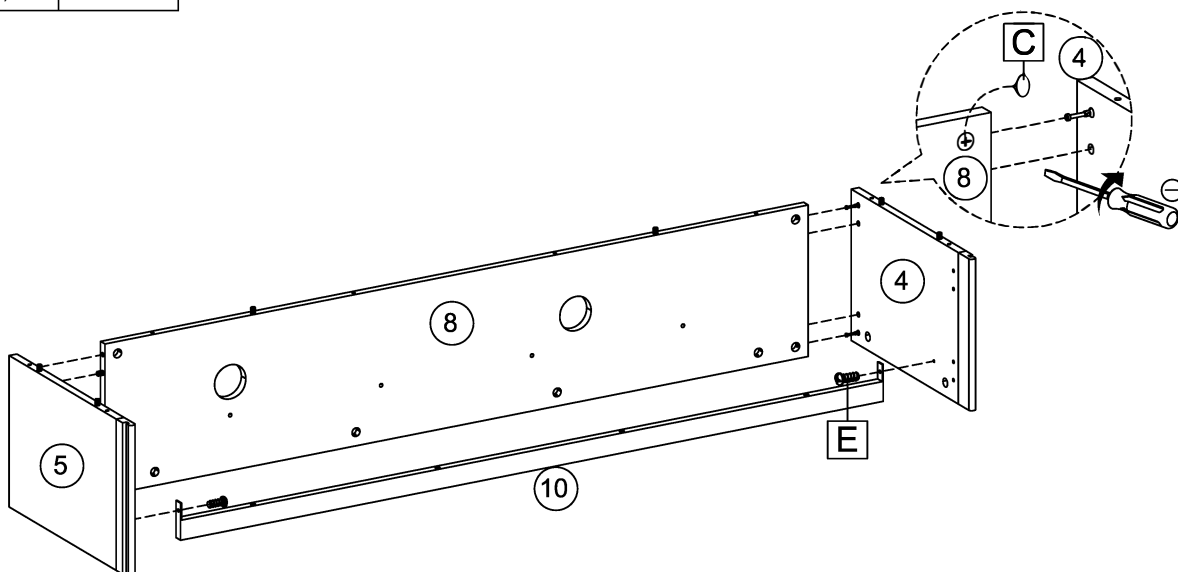
Insert 8 x Cam Lock (A) and 8 x Plastic Dowel (D) into Rear Panel (8).  
If necessary, gently tap the Plastic dowels with a mallet.






## Step 4



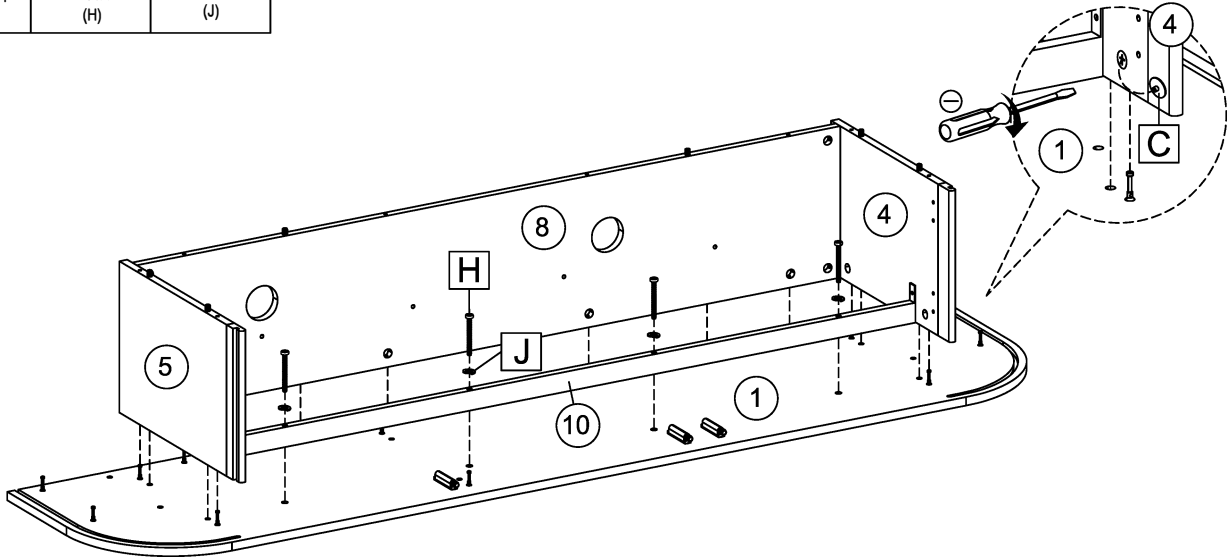
Attach Left Panel (4) and Right Panel (5) to Rear Panel (8) and Metal Support (10) as shown. Use a screwdriver to turn the Cam lock (A) clockwise to lock.  
Paste 4 x Cam Cap (C) as shown.  
Tighten Metal Support (10) using 2 x Screws (E).




## Step 5

You will need		
		
8 x Cam Cap (C)	4 x Screw (H)	4 x Washer (J)

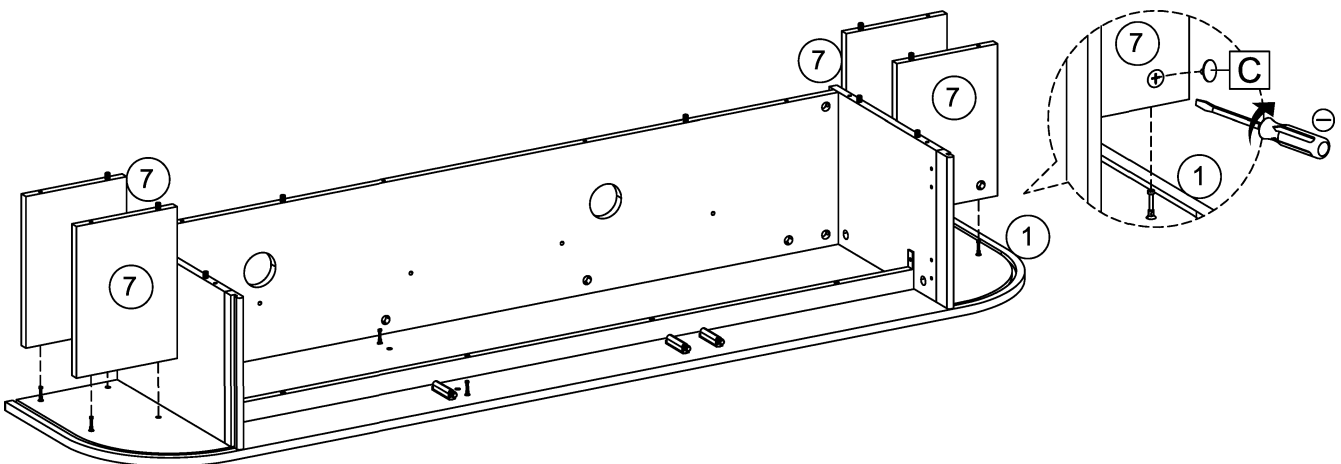
Attach Case assembly to Top Panel (1) as shown.  
Use a screwdriver to turn the Cam lock (A) clockwise to lock.  
Paste 8 x Cam Cap (C) as shown.  
Tighten Metal Support (10) using 4 x screws (H) and 4 x Washers (J).



## Step 6

You will need

4 x Cam Cap (C)

Attach 4 x Side Support (7) to Case assembly as shown.  
Use a screwdriver to turn the Cam lock (A) clockwise to lock.  
Paste 4 x Cam Cap (C) as shown.





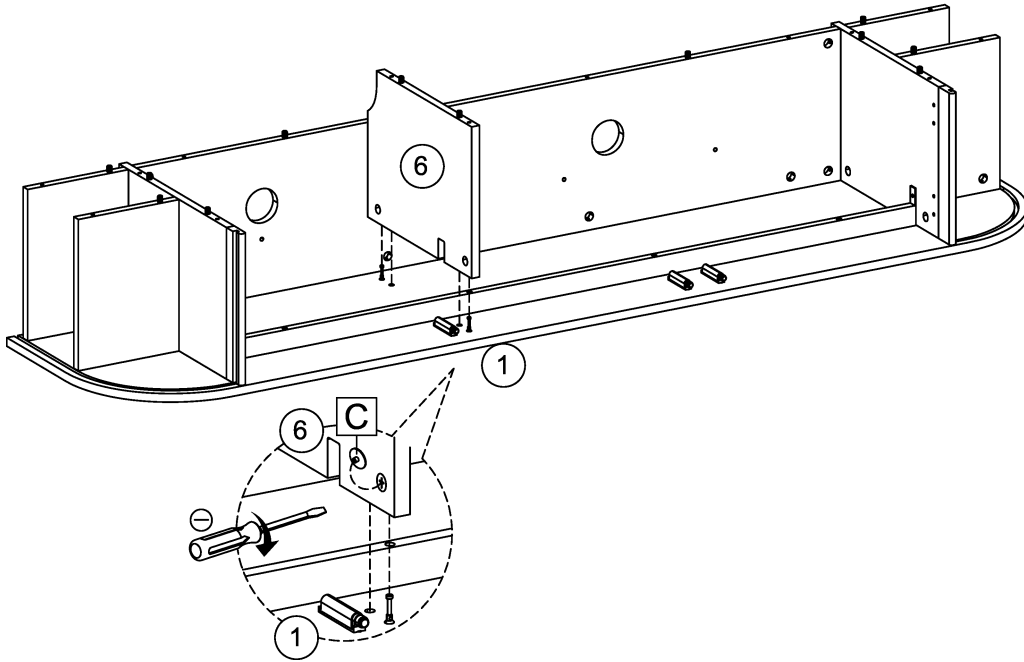
## Step 7

You will need



2 x Cam Cap  
(C)

Attach Divider Panel (6) to Top Case Assembly as shown.  
Use a screwdriver to turn the Cam lock (A) clockwise to lock.  
Paste 2 x Cam Cap (C) as shown.



## Step 8

You will need



14 x Screw  
(F)

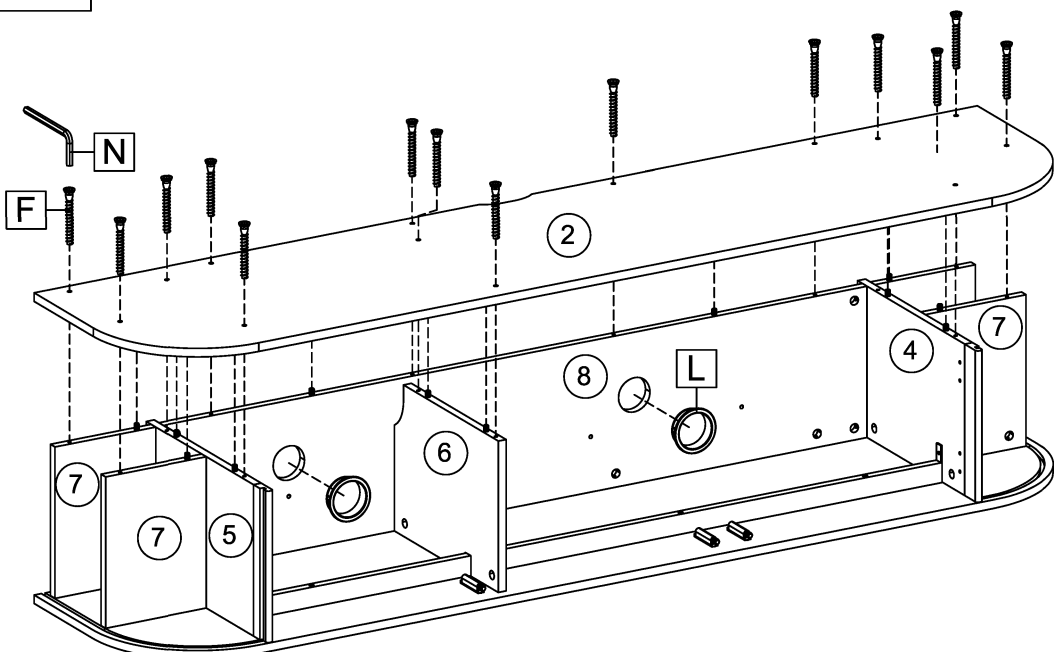
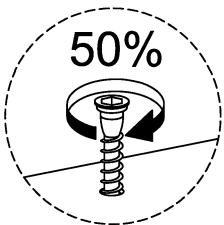


2 x Cable Holder  
(L)



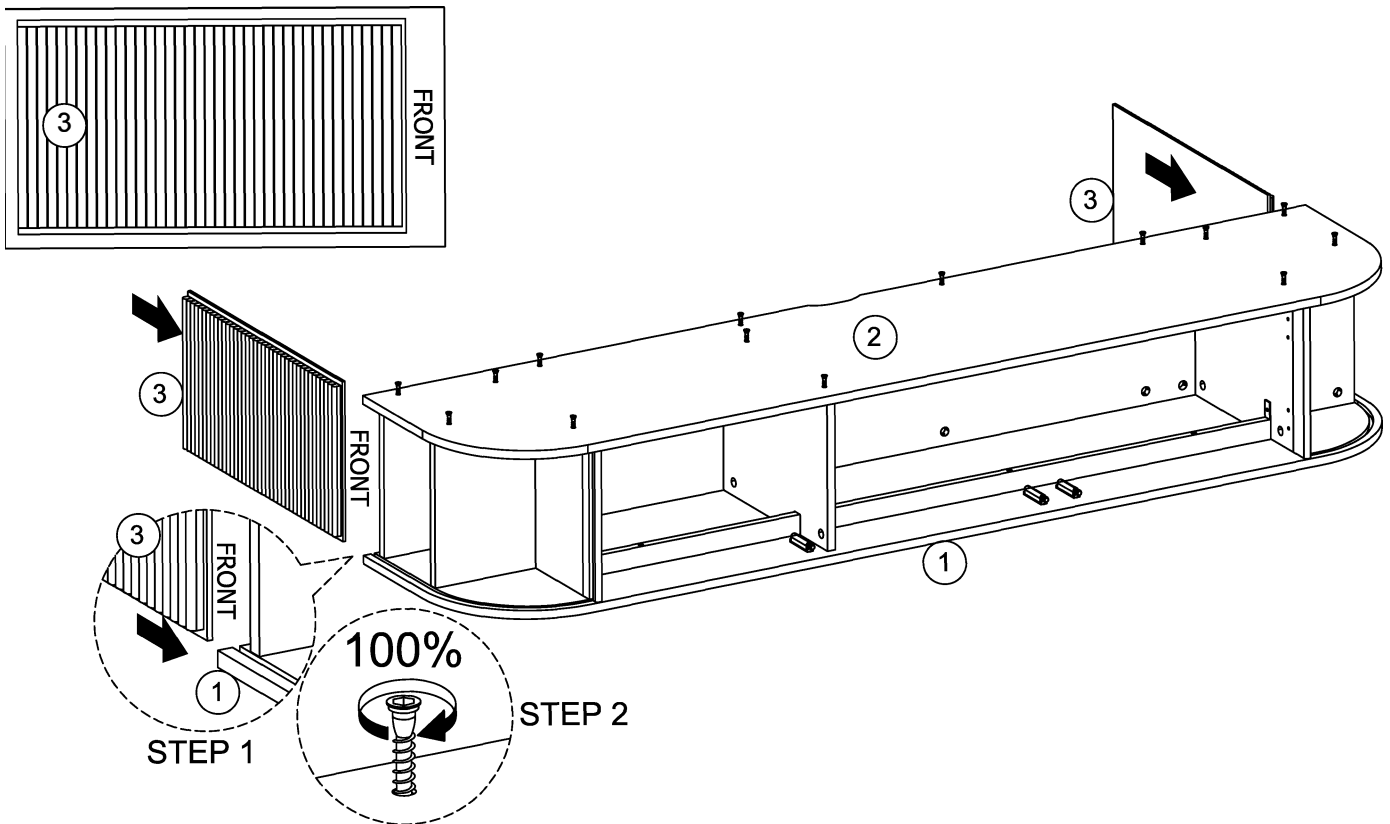
1 x Allen Key  
(N)

Attach Bottom Panel (2) to Case Assembly using 14 x Screws (F).  
Tighten 50% screws (F) before fixing the Case assembly using  
Allen Key (N).  
Insert Cable Holder (L) into Case assembly as shown.



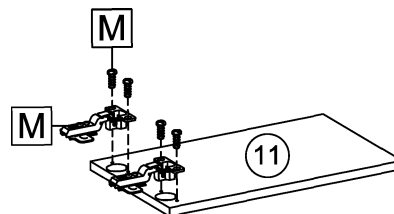
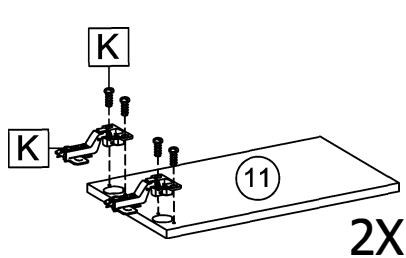
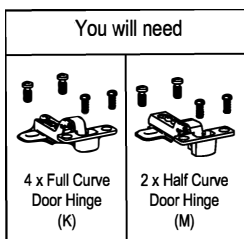
## Step 9

Insert Curve Panel (3) into Case assembly as shown, then Tighten Screws (F) until fixed using Allen Key (N).



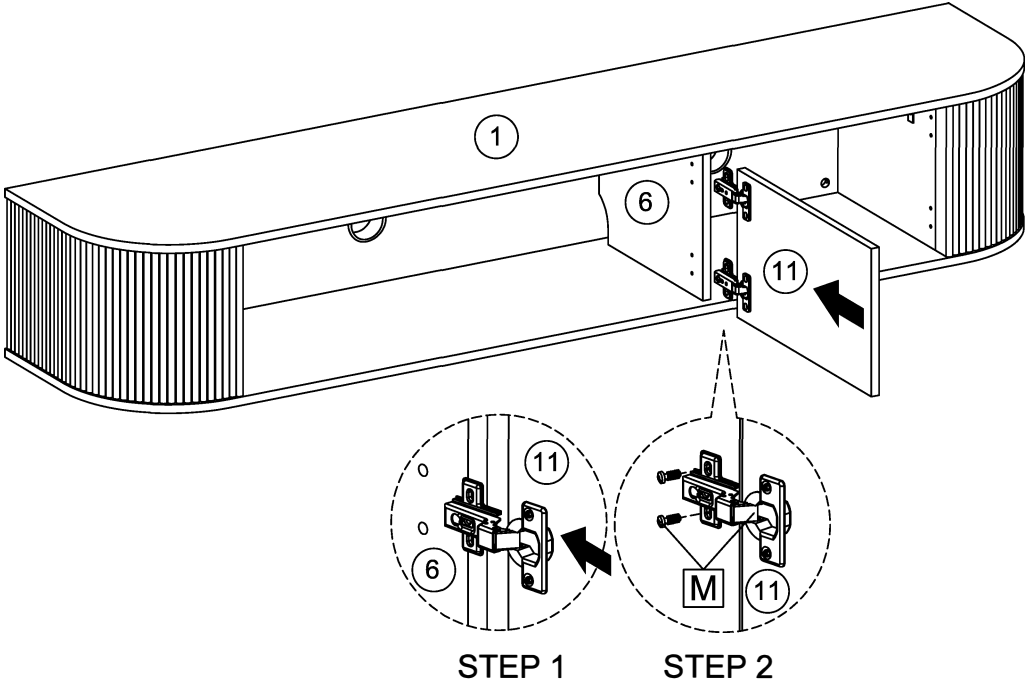
## Step 10

Attach 4 x Full Curve Door Hinge (K) and 2 x Half Curve Door Hinge (M) to 3 x Door (11) as shown.



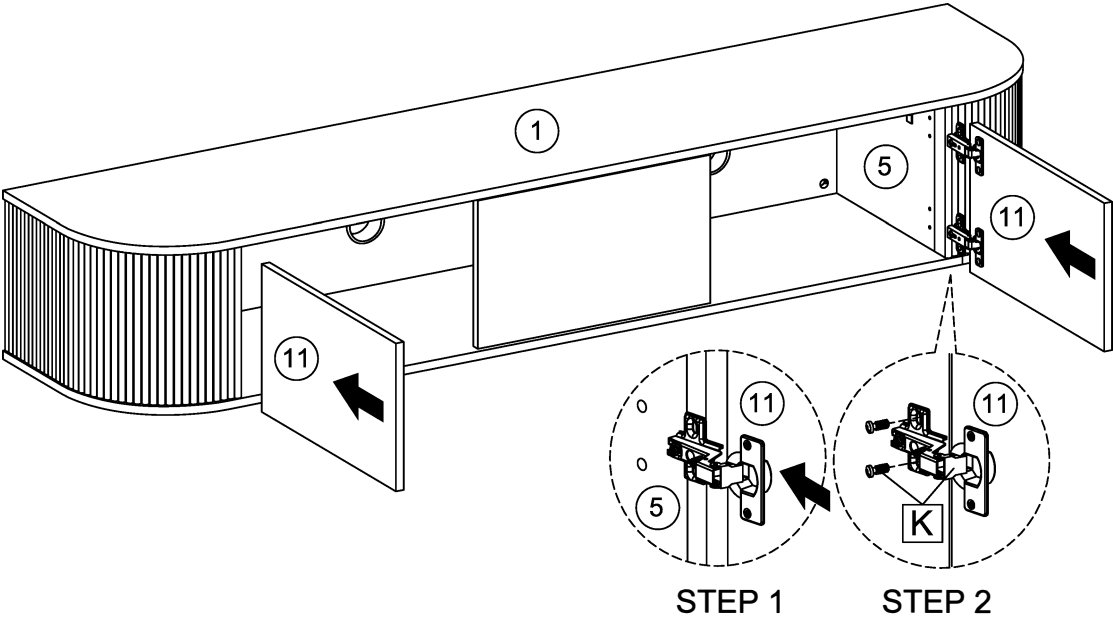
# Step 11

Attach Door (11) to case assembly as shown.

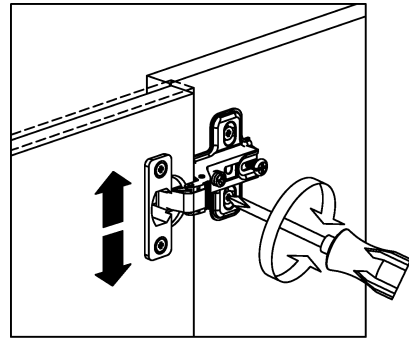
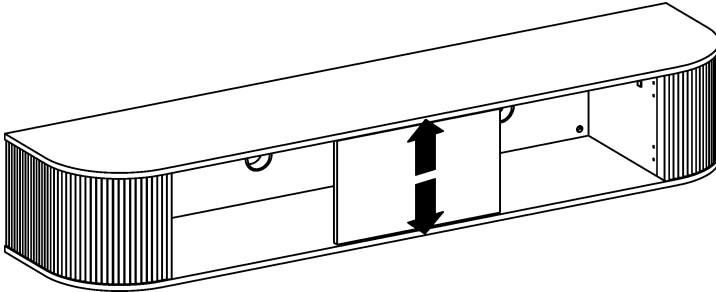


# Step 12

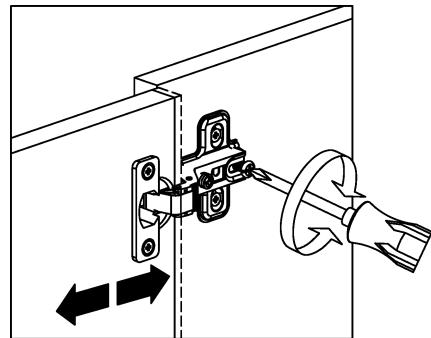
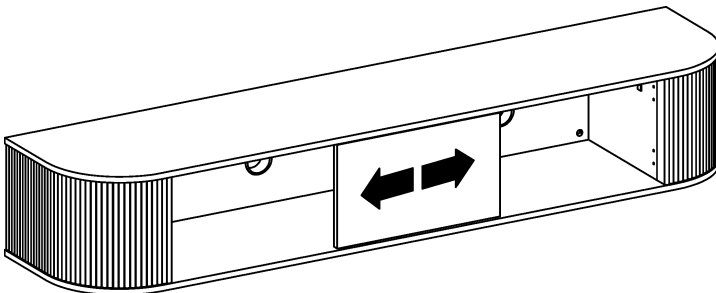
Attach Door (11) to case assembly as shown.



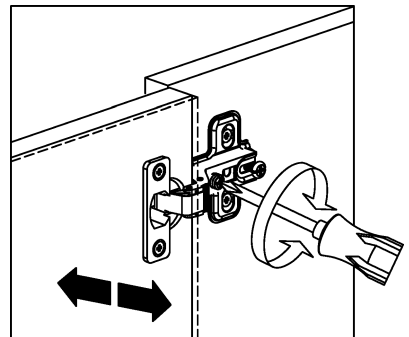
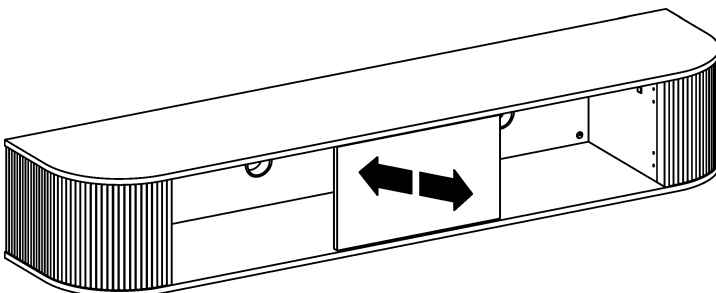
**Step 13** The doors may appear out of alignment after assembly.  
If adjustment is necessary, please follow the steps below:



To move doors up or down:  
loosen or tighten the screws on the hinge plate,  
as shown.

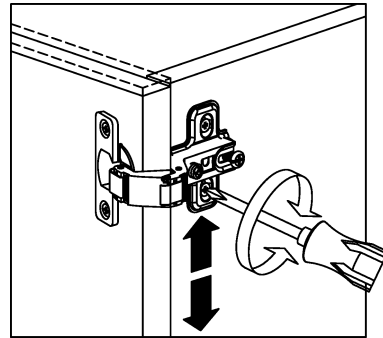
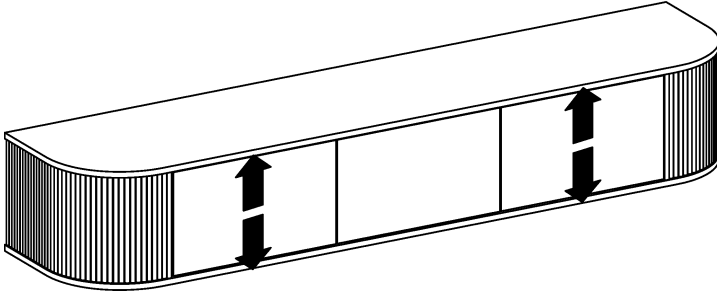


To move doors in or out:  
loosen or tighten the screws on the hinge plate,  
as shown.

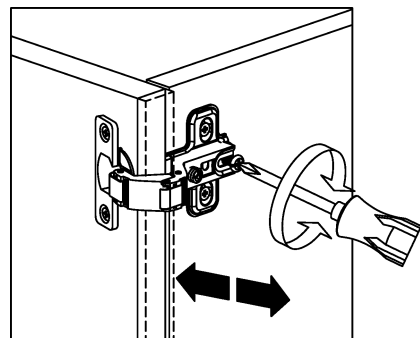
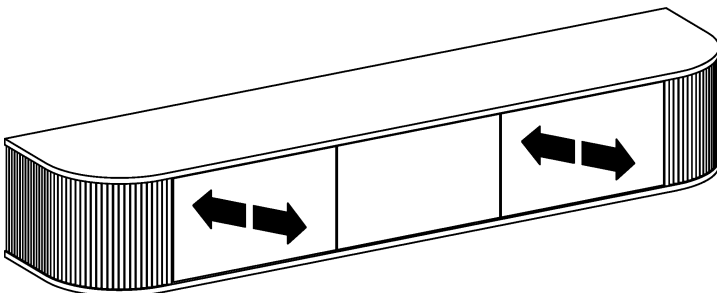


To move doors left or right:  
loosen or tighten the screws on the hinge plate,  
as shown.

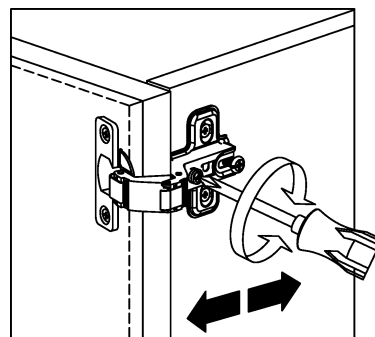
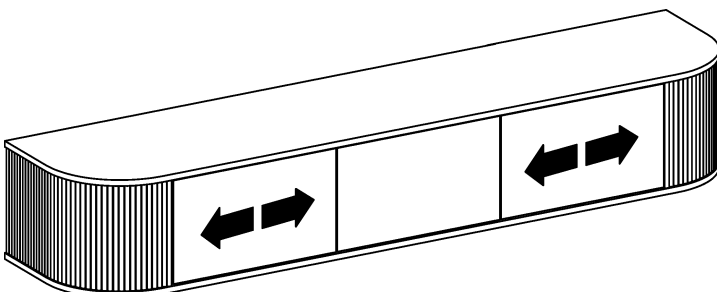
**Step 14** The doors may appear out of alignment after assembly.  
If adjustment is necessary, please follow the steps below:



To move doors up or down:  
loosen or tighten the screws on the hinge plate,  
as shown.



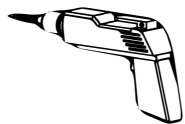
To move doors in or out:  
loosen or tighten the screws on the hinge plate,  
as shown.



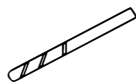
To move doors left or right:  
loosen or tighten the screws on the hinge plate,  
as shown.

# What you need

To assemble the product



Power drill



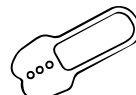
Drill bit  
8mm



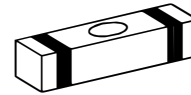
Drill bit  
4mm



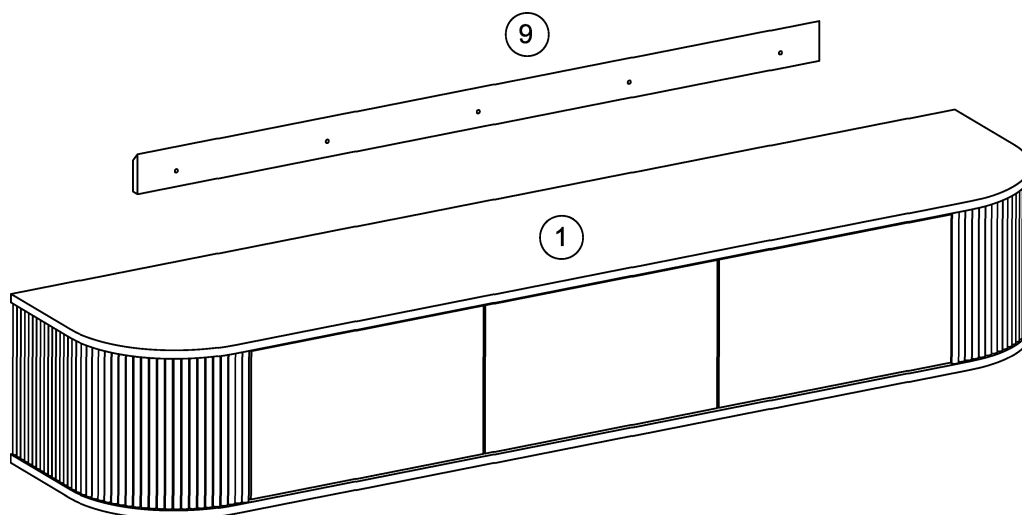
Phillips  
Screwdriver



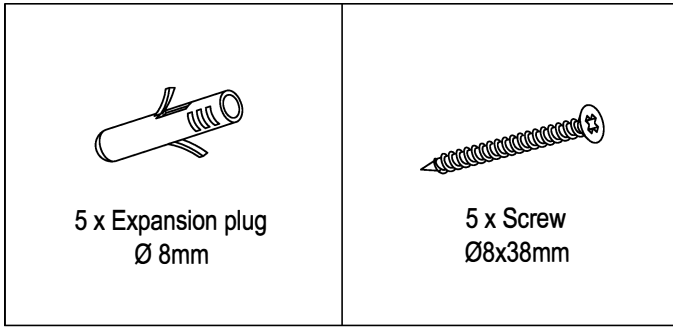
Stud finder



Leveler



NO.	PART LIST	QTY
(1)	BODY	1
(9)	MOUNTING BOARD	1



*As all installation environments are different you may not have all the necessary installation hardware provided in the hardware pack supplied with this unit. If you require further fixings please visit your local hardware store and purchase other required fixings. The fixings provided in this pack are for a basic install only.*

The following instructions are provided as a guide for installing this Wall Cabinet

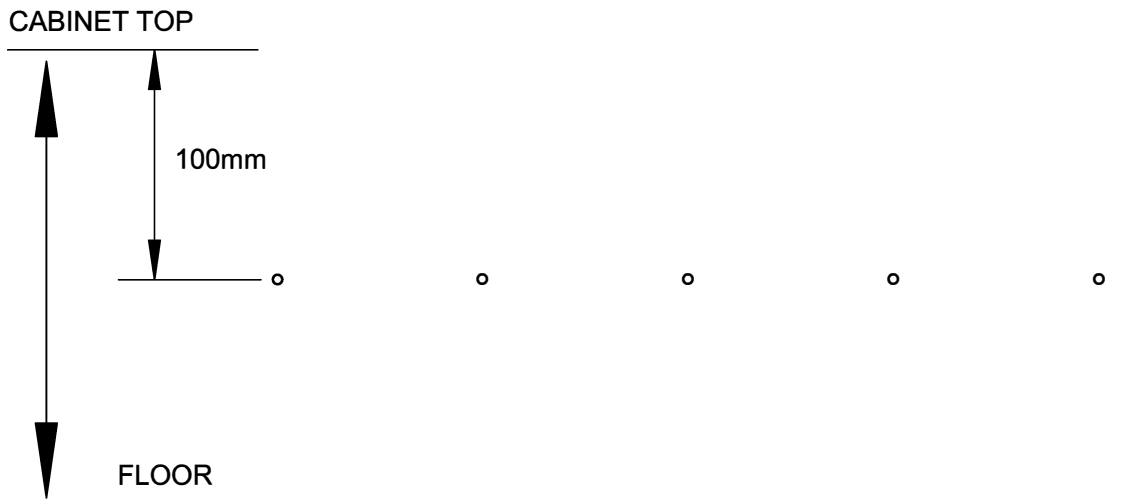
**THIS PRODUCT MUST BE WALL MOUNTED BY A QUALIFIED  
TRADESMAN/TECHNICIAN**

## Step 15 POSITIONING AND MOUNTING YOUR WALL CABINET

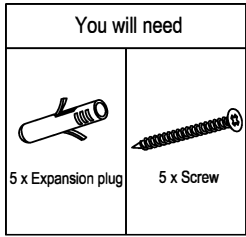
Decide on the height you would like the top of your new Wall Mount Cabinet to be. Measure 100mm down your wall to mark your first hole location. Place the coinciding hole of the wall bracket over this hole. While holding the Bracket on this hole ensure that it is level, with a spirit level and mark the remaining holes with a pencil or your drill. Remove wall mount and drill holes into your wall with an appropriate drill bit. If there is any major wall imperfections/unevenness please consider fixing these first, to allow cabinet to sit flat against the wall.

Please remember that this is a wall mount cabinet for components only and it is not intended for a TV to be placed on this unit.

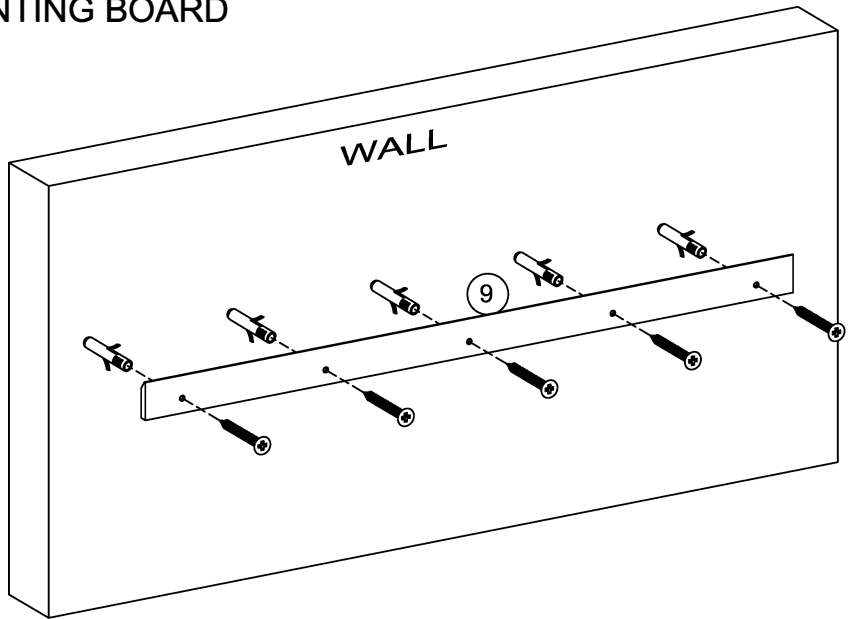
Please ensure that your TV is secured/mounted to the wall with a suitable wall mount prior to the installation of this cabinet underneath.



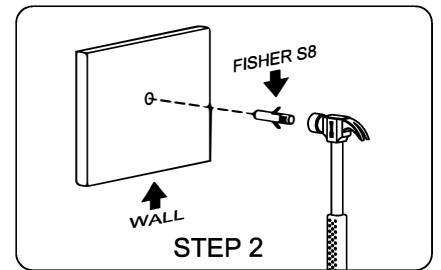
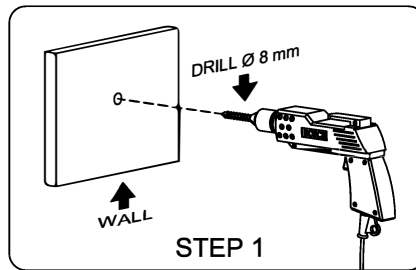
## Step 16 ATTACH MOUNTING BOARD



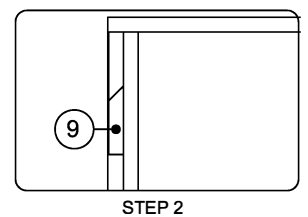
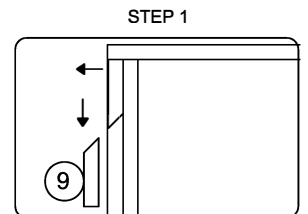
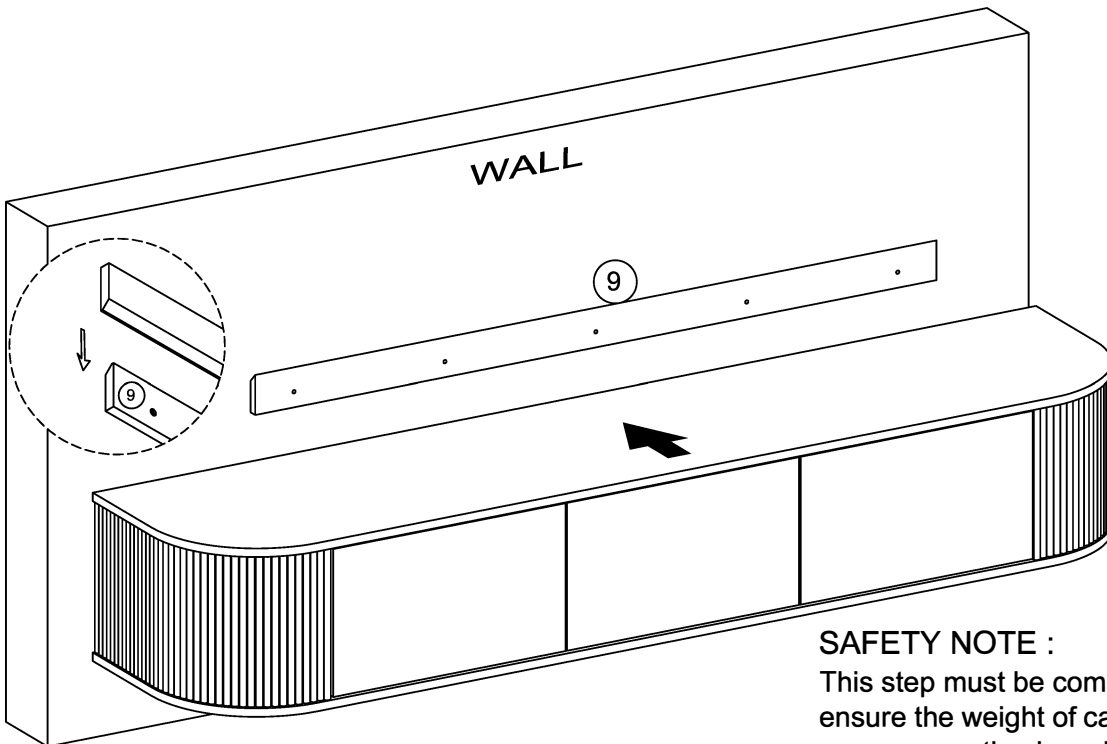
**STUD WALL SAFETY NOTE :**  
The mounting board has fixing holes in place for a standard stud wall. Please use a stud finder to ensure that you are fixing into the studs.



**BRICK WALL NOTE :**  
Please fix screws into bricks not mortar



## Step 17 LIFTING CABINET ONTO THE WALL



**SAFETY NOTE :**  
This step must be completed by two persons to ensure the weight of cabinet is evenly distributed across mounting board and eliminate physical injury to individuals

**MAXIMUM WEIGHT CAPACITY OF THIS UNIT IS 20 KG.**



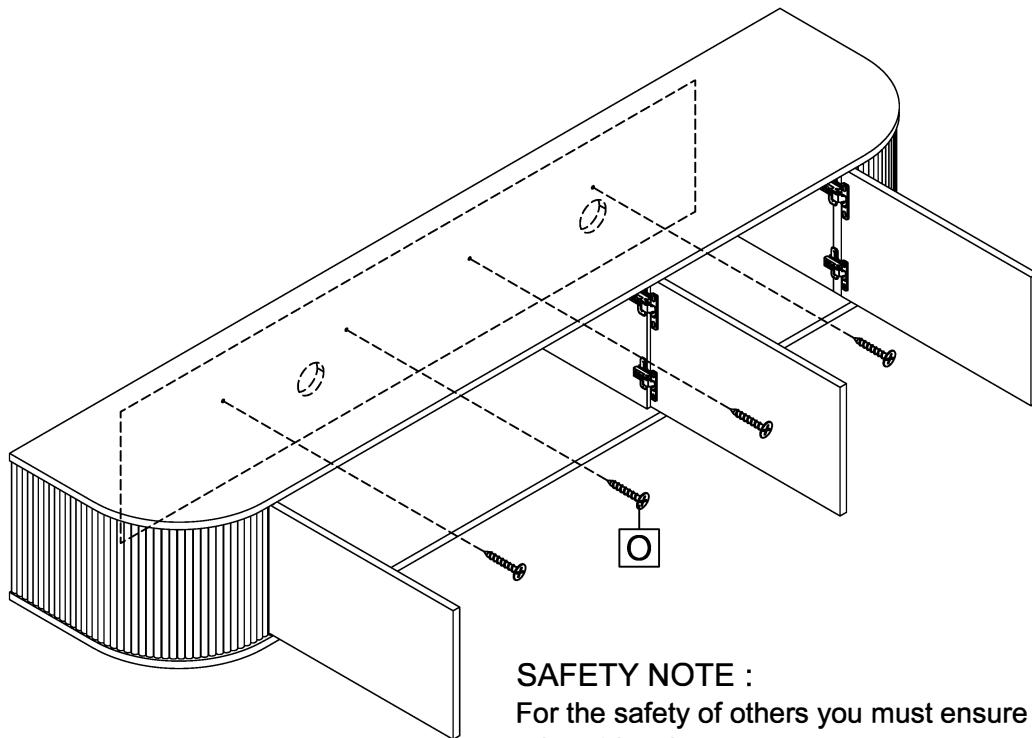
## Step 18

### SECURING CABINET TO WALL MOUNT

You will need



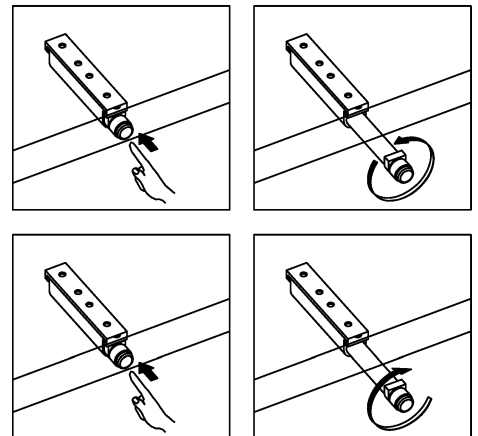
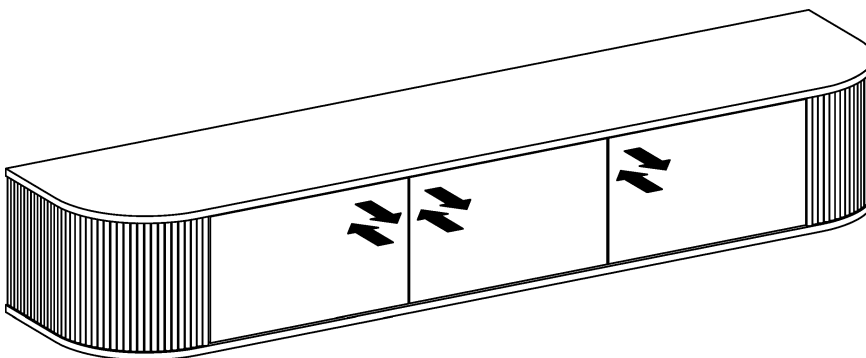
4 x Screw  
(O)



#### SAFETY NOTE :

For the safety of others you must ensure that this cabinet is secured to the wall mount with the provided 4 x screws (O) as shown.

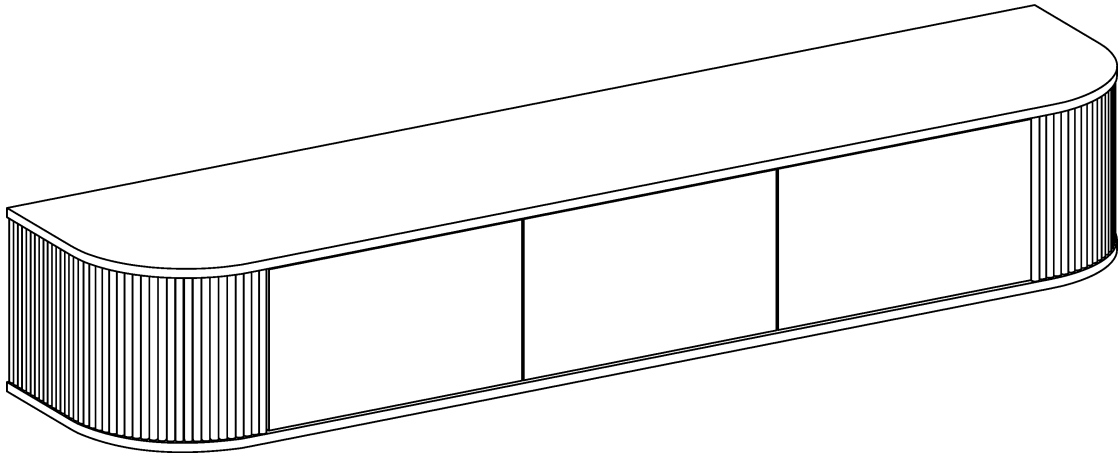
## Step 19



After assembly, the push to open latches may need to be adjusted if it does not work well.

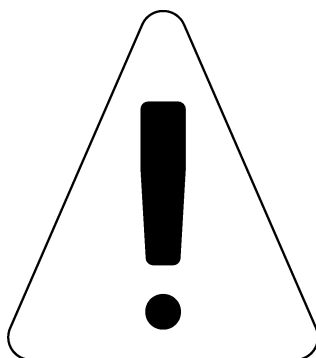
To adjust push-to-open latches, please follow the step below:  
Push and release the piston once to allow the piston extend.  
Gently turn the piston clockwise or anti-clockwise to adjust the position of the piston.  
Push the piston once to retract the piston.

MAXIMUM WEIGHT CAPACITY OF THIS UNIT IS 20 KG.



# Job Complete !

In the interest of our environment Please dispose of all packaging thoughtfully.



**THIS PRODUCT IS FINISHED WITH LACQUER**

Avoid placing hot items directly onto the surface unless using a thick insulation material such as placemats or coasters. Heat may lead to discolouration or other damage to the surface of the product.

Use a soft cloth that has been dampened in water to clean the surface of this product. Do not use abrasive cleaners, furniture wax or polish on the surface of this product, as it may damage the surface.

**CAUTION: FREQUENT EXPOSURE TO DIRECT SUNLIGHT OR SIMILAR SOURCES MAY CAUSE THE SURFACE TO DISCOLOUR OR FADE.**