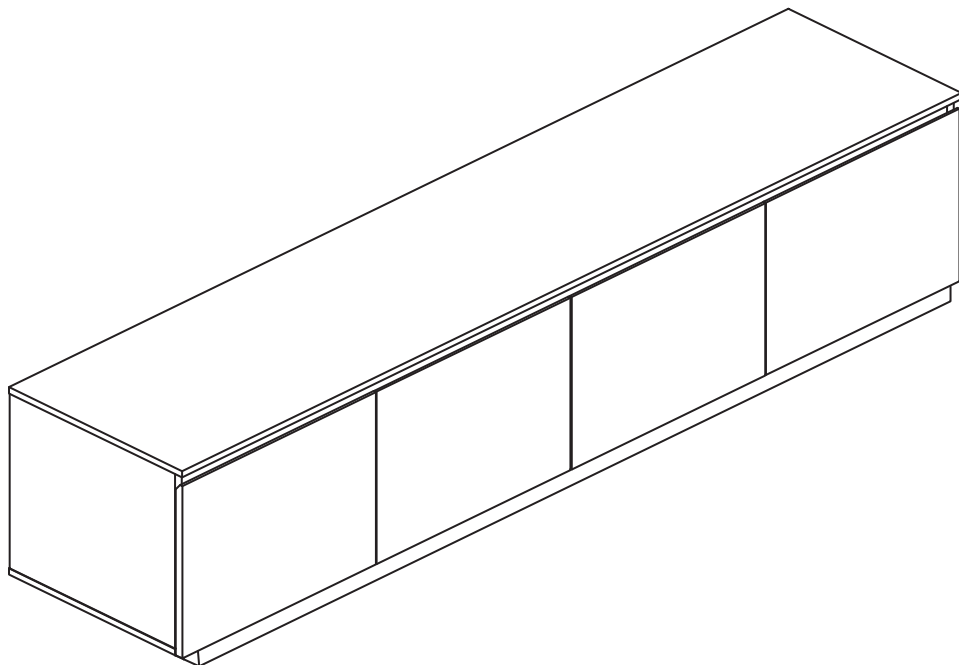


**ASSEMBLY INSTRUCTIONS**

**Memo Entertainment Unit**



**TWO PERSON RECOMMENDED**

## Keep these instructions for future reference

- Read these instructions and follow steps carefully to ensure you assemble the product correctly and avoid damages. Check that all parts and hardware have been provided before assembling the product. Place all contents on a clean, soft-flat surface to avoid scratching the product.



### CAUTION:

Only Tighten bolts to 80% at first. Once all parts have been assembled, fully tighten all hardware. To prevent damage to threads, do not use a power tool and do not overtighten bolts. Use two people to lift and turn the product when assembling. Do not attempt with only one person and do not roll on to legs. Keep all hardware and small parts away from children.

- We recommend furniture be assembled near where they will be placed, to avoid moving the product unnecessarily once assembled.
- If there is a need to move the furniture, please remove all loose items and have extra hands to help lift the furniture to the desired location. Dragging the furniture will damage both the furniture and the floor.
- Regularly check and re-tighten (if necessary) all bolts on furniture that you have assembled yourself.

## Care and Maintenance of your Furniture

Wipe clean with a damp cloth. Use only water or a gentle detergent.  
Wipe dry with a clean cloth.



### **WARNING:**

**Do not stand on the Entertainment Unit !**



## **WARNING:**

It is **STRONGLY RECOMMENDED** that you **ANCHOR** this product.

Toppling furniture can cause serious injuries and death.

This product has been supplied with a strap. To prevent your furniture from tipping forward it is strongly recommended that you securely attach this product to a wall or other solid surface, using the straps provided and appropriate fixings.

## **IMPORTANT:**

Regularly check that anchors are securely maintained.

Use safety drawer locks to prevent children climbing.

Stability of tall items may be affected by thick pile carpet or uneven floors.

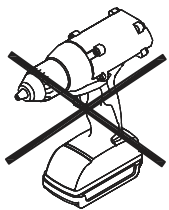
Do not place unanchored televisions on furniture.

## **CAUTION:**

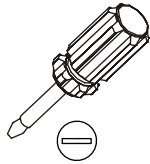
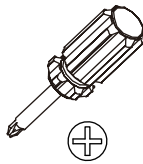
For your safety when attaching the anchor fixings, please note the following:

- Check for any electrical wires or plumbing inside the wall before drilling any holes (if you are unsure, please seek professional advice from a qualified tradesperson)
- Walls are constructed from different materials, for example, masonry (solid brick) or plasterboard lined cavity walls (hollow). It is important that you use the appropriate wall fixings for your wall type. If unsure, please seek professional advice on how to attach this safety strap to your specific wall.
- Your local hardware store will have the necessary drills and fixings and can offer advice if needed. If in doubt, engage the services of a qualified tradesperson to install and anchor the product.

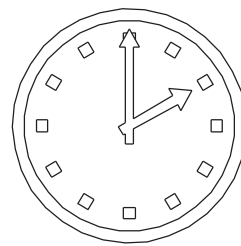
## Tools Required



DO NOT USE



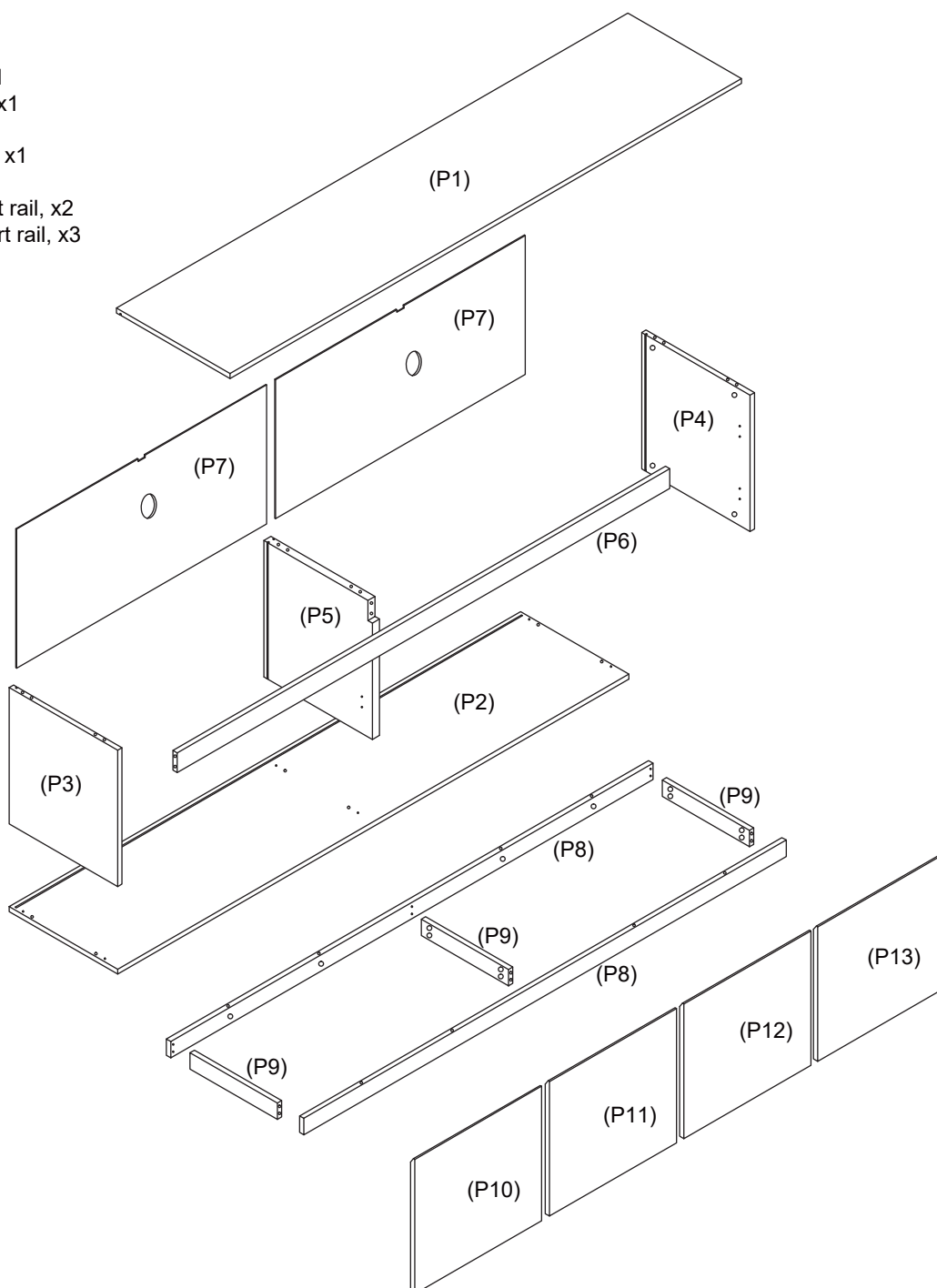
## Time Required



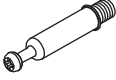

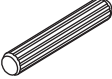
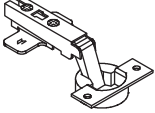
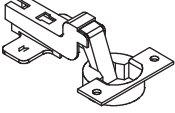





30 min

## Parts List

- (P1). Top panel, x1
- (P2). Bottom panel, x1
- (P3). Left side panel, x1
- (P4). Right side panel, x1
- (P5). Divider, x1
- (P6). Front support rail, x1
- (P7). Back panel, x2
- (P8). Base long support rail, x2
- (P9). Base short support rail, x3
- (P10). Door, x1
- (P11). Door, x1
- (P12). Door, x1
- (P13). Door, x1



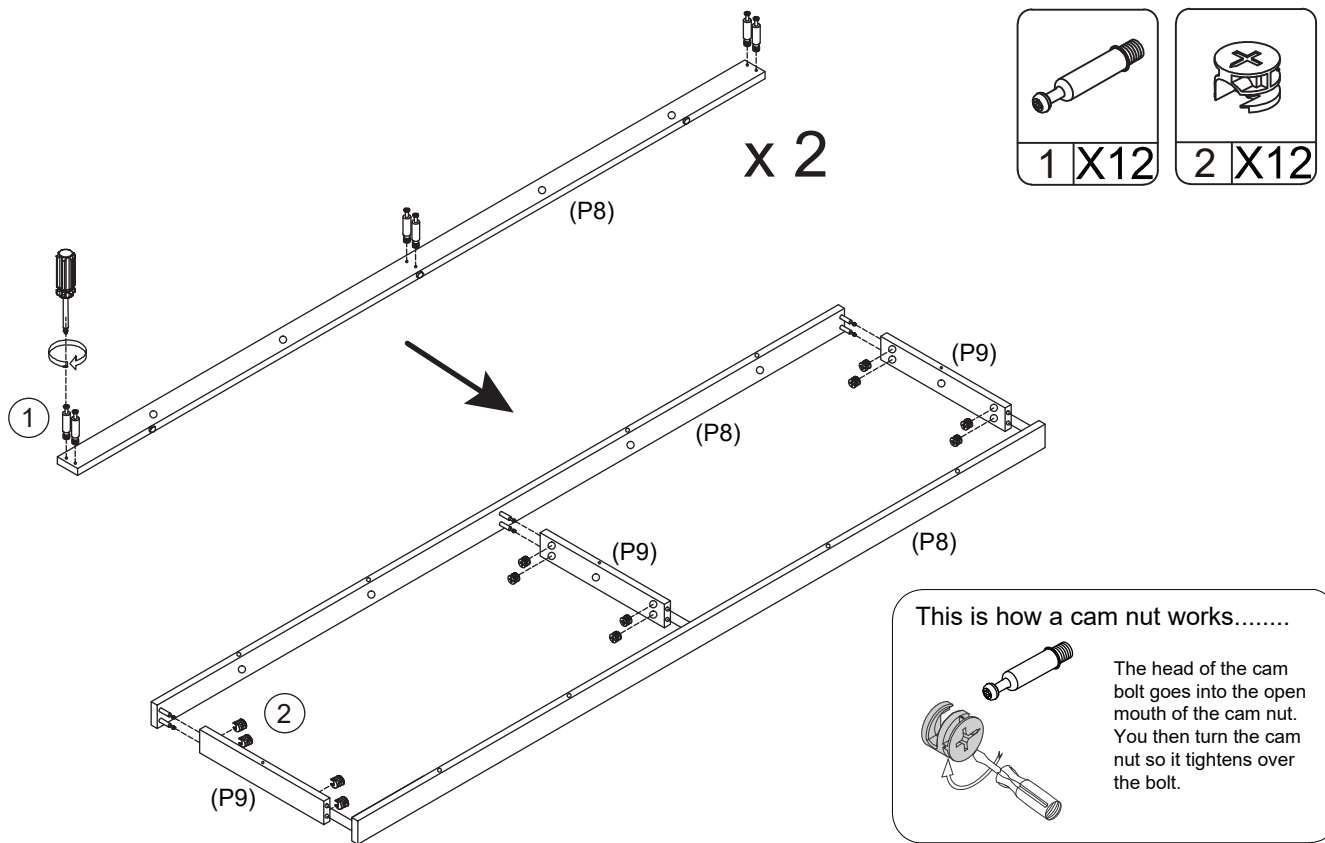
## Fittings List

											
1	Cam bolt	45pcs	2	Cam nut	45pcs	3	Dowel: $\varnothing$ 8x40mm	12pcs	4	Hinge	4pcs
											
5	Hinge	4pcs	6	Screw: M4x16mm	48pcs	7	Back panel holder	8sets	8	Fabric wall strap	2pcs
											
9	Washer	4pcs	10	Screw: M4x15mm	2pcs						

### NOTE-

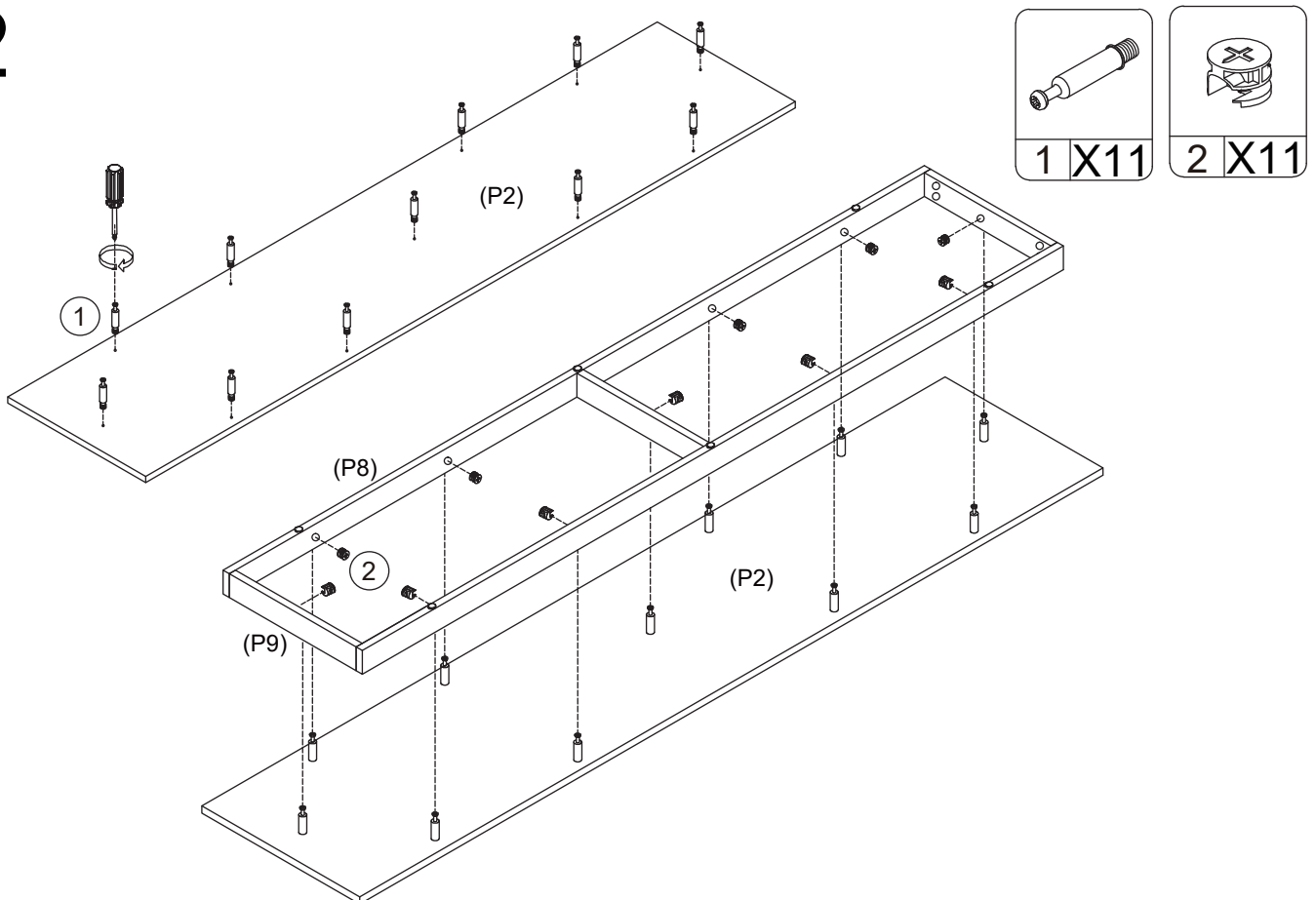
The pack only contains screws for fastening the anti-topple strap(s) itself to the product. Please contact your DIY or hardware store for advice on the correct type of screws/wall plugs for your type of wall.

# 1



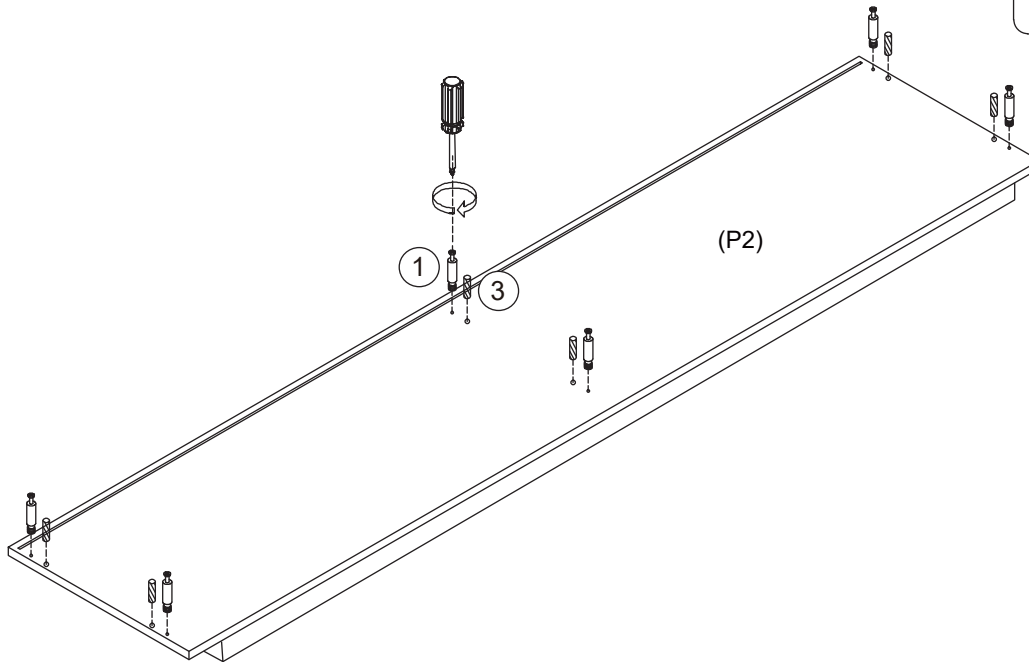
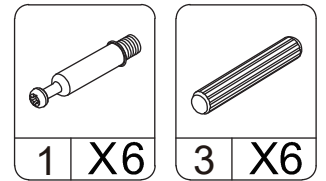
Screw 12 x Cam bolts (1) into 2x Base long support rails (P8) using a screwdriver as shown.  
Position 2x Base long support rails (P8) to 3x Base short support rails (P9).  
Insert 12 x Cam nuts (2) into 3x Base short support rails (P9), use a screwdriver to turn clockwise to lock.

# 2



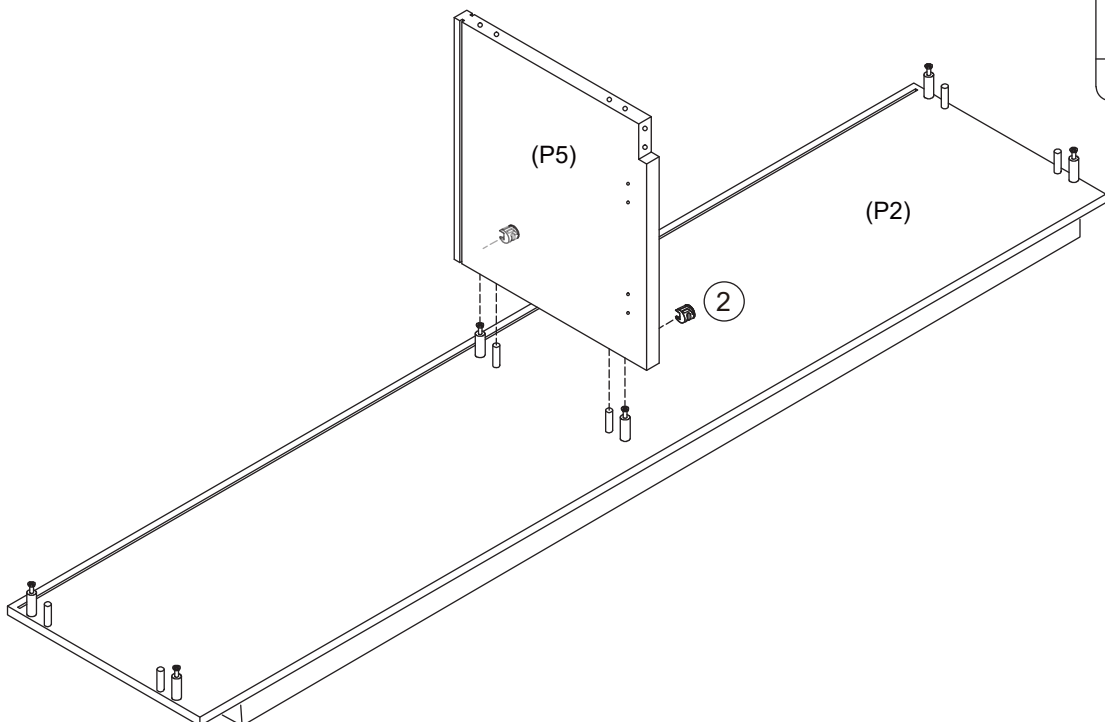
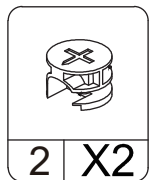
Screw 11 x Cam bolts (1) into Bottom panel (P2) using a screwdriver as shown.  
Position the Base frame onto Bottom panel (P2).  
Insert 11 x Cam nuts (2) into the base frame, use a screwdriver to turn clockwise to lock.  
With help, turn the assembled base over.

# 3



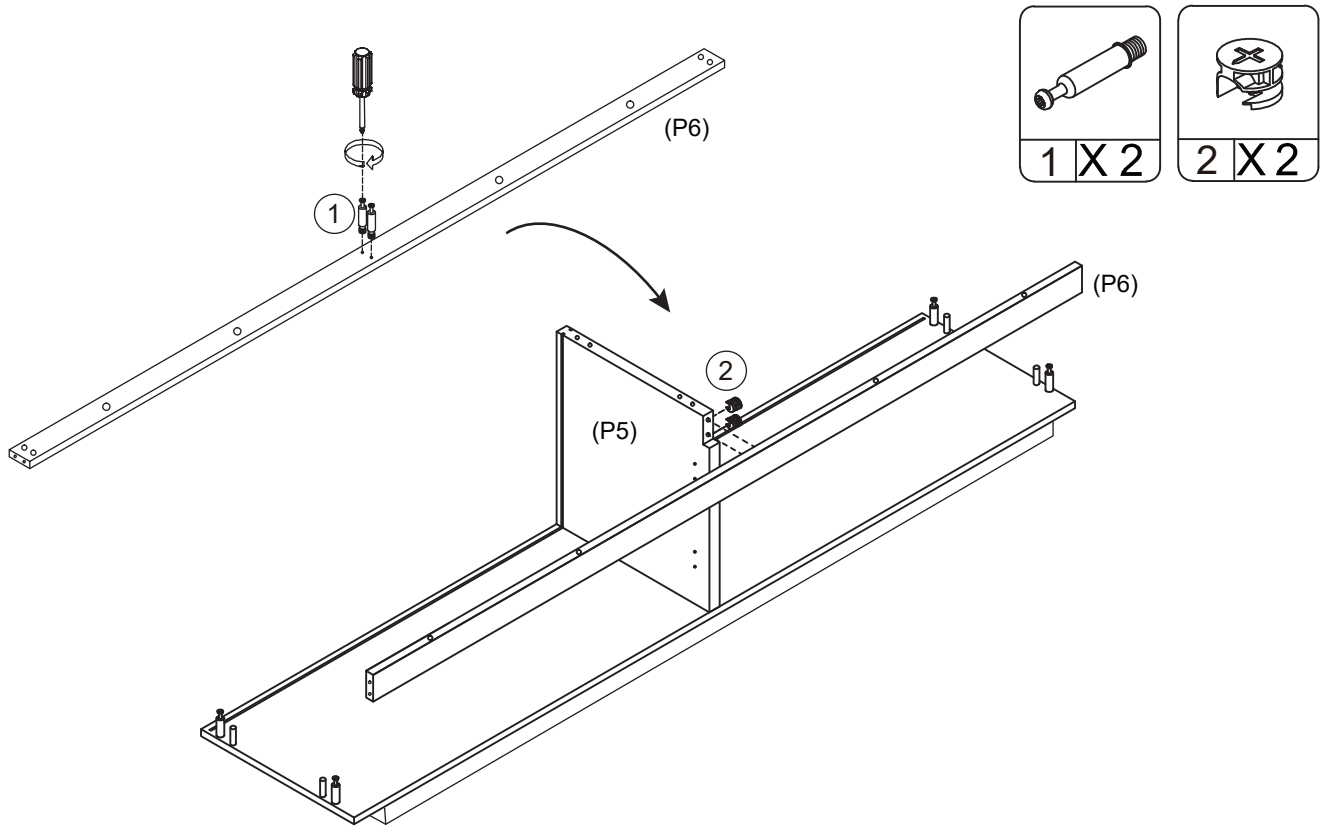
Screw 6 x Cam bolts (1) into Bottom panel (P2) using a screwdriver as shown.  
Insert 6 x Dowels (3) into Bottom panel (P2).

# 4



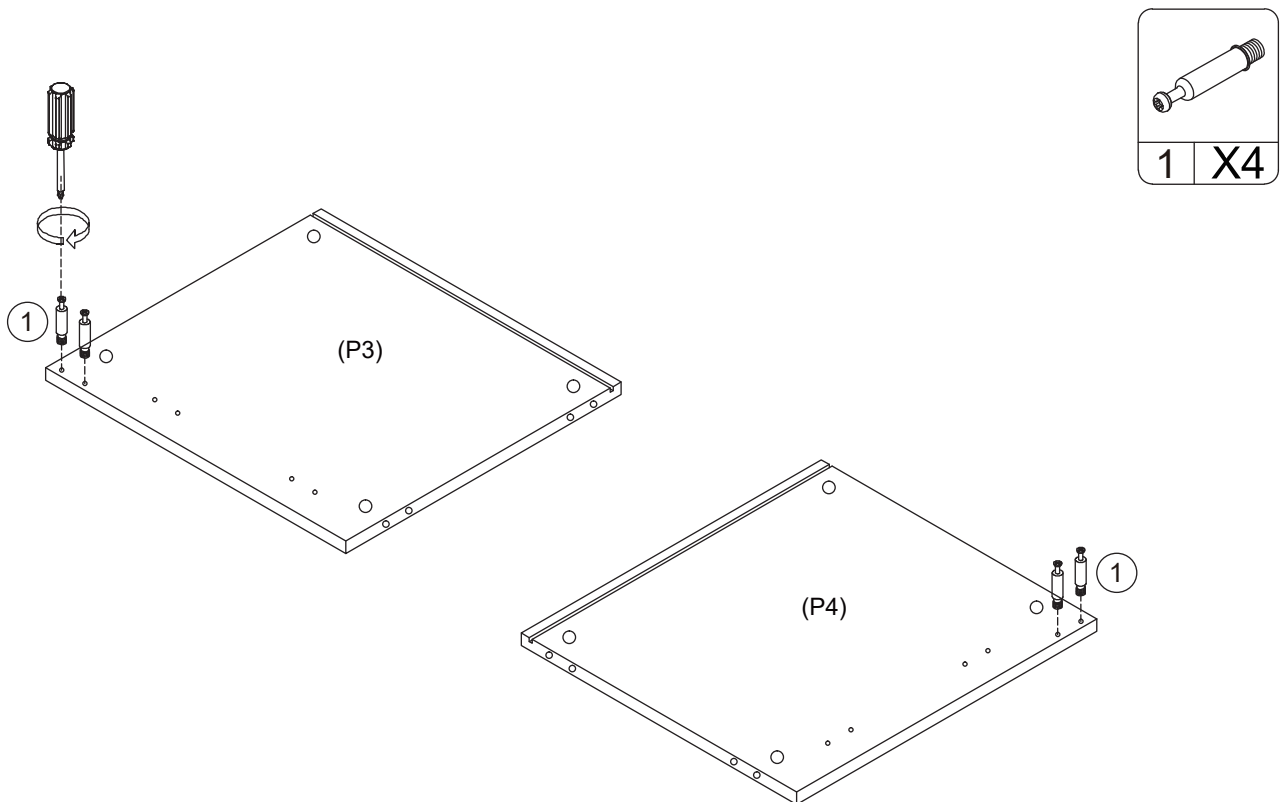
Position Divider (P5) onto Bottom panel (P2).  
Insert 2 x Cam nuts (2) into Divider (P5).  
Use a screwdriver to turn Cam nuts (2) clockwise to lock.

# 5



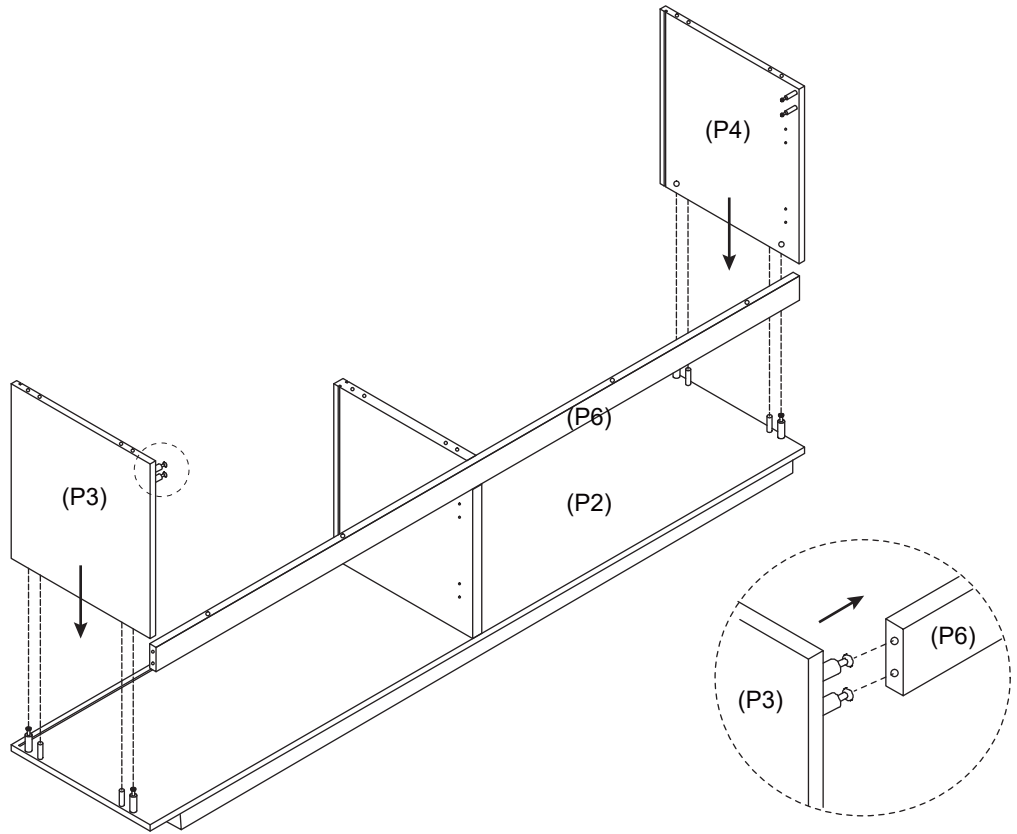
Screw 2 x Cam bolts (1) into Front support rail (P6) using a screwdriver as shown.  
Position Front support rail (P6) to Divider (P5).  
Insert 2 x Cam nuts (2) into Divider (P5), use a screwdriver to turn clockwise to lock.

# 6



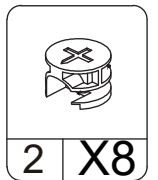
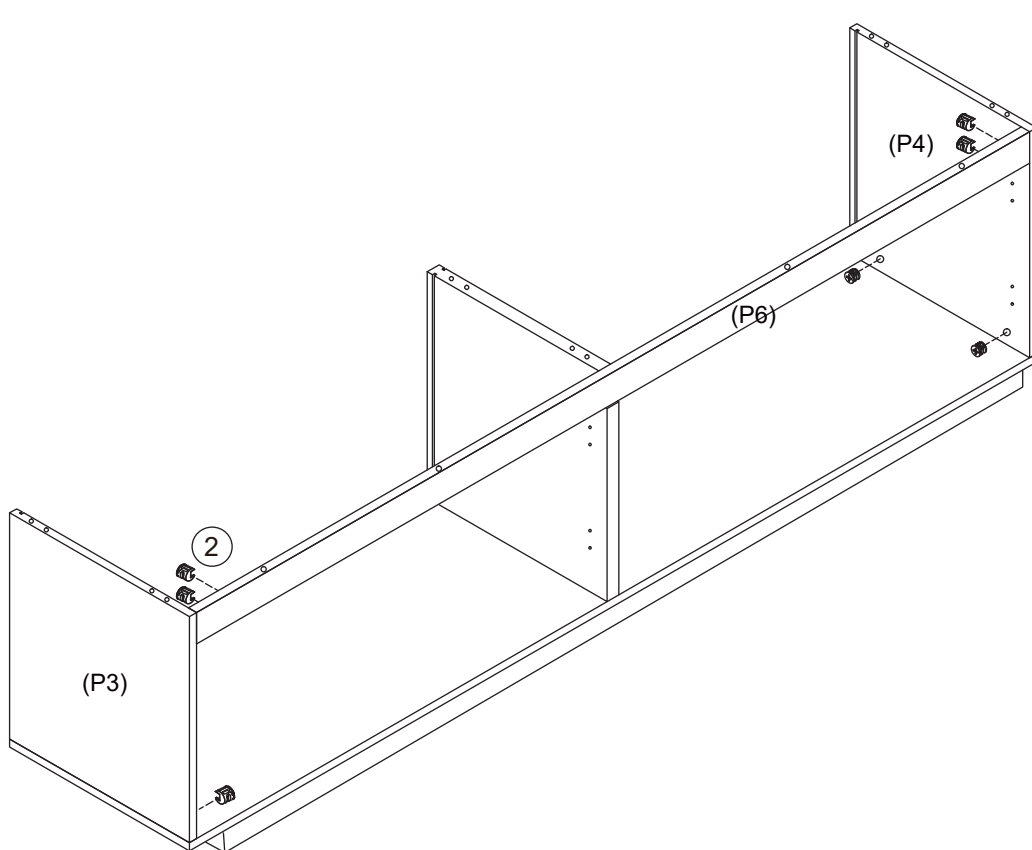
Screw 4 x Cam bolts (1) into Left side panel (P3) and Right side panel (P4) using a screwdriver as shown.

# 7



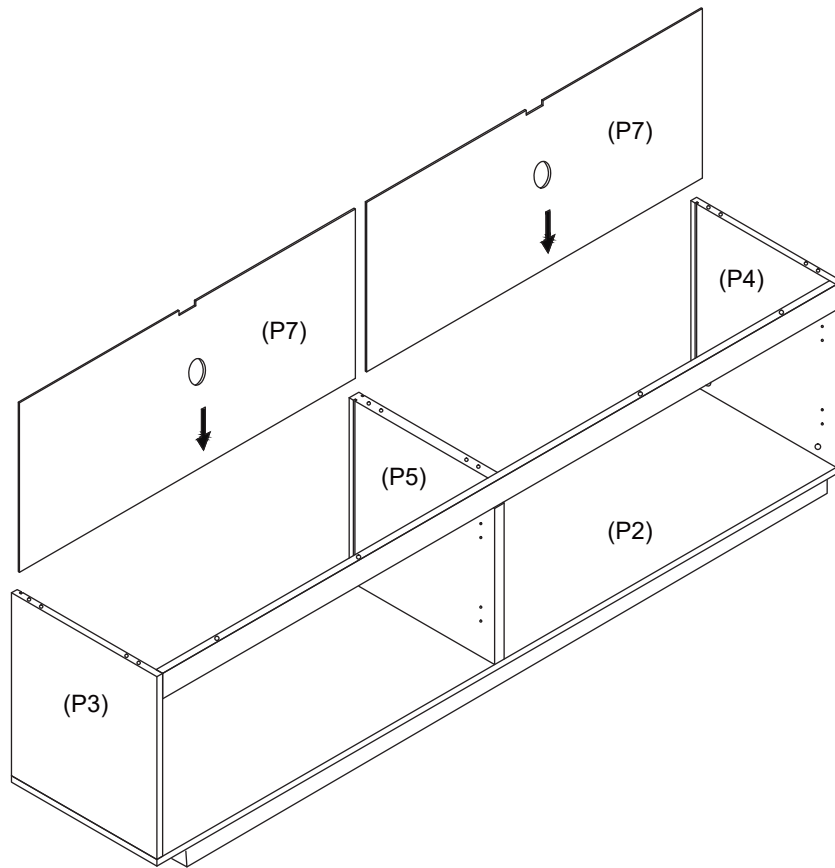
Position Left side panel (P3), Right side panel (P4) onto Bottom panel (P2).  
Gently attach Left side panel (P3) and Right side panel (P4) to Front support rail (P6) as shown.

# 8



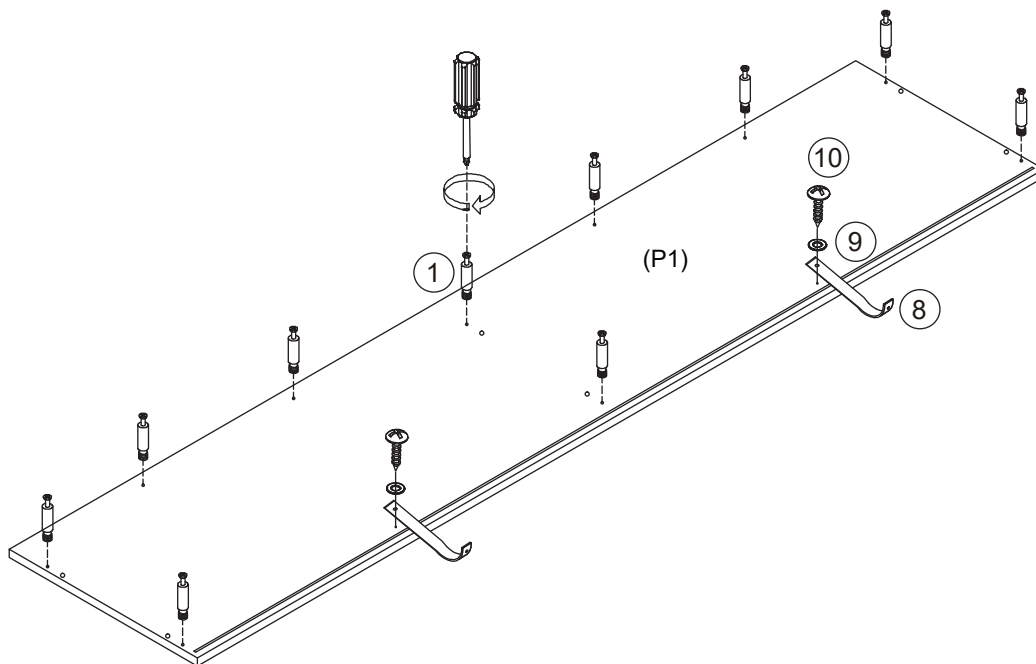
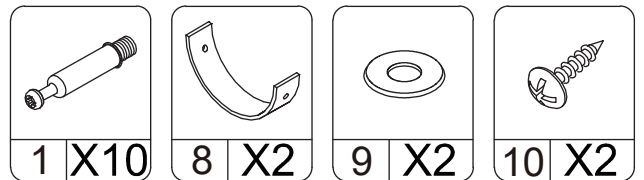
Insert 8 x Cam nuts (2) into Left side panel (P3), Right side panel (P4) and Front support rail (P6).  
Use a screwdriver to turn clockwise to lock.

# 9



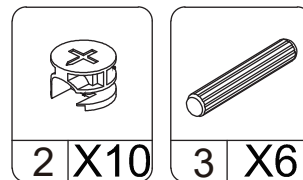
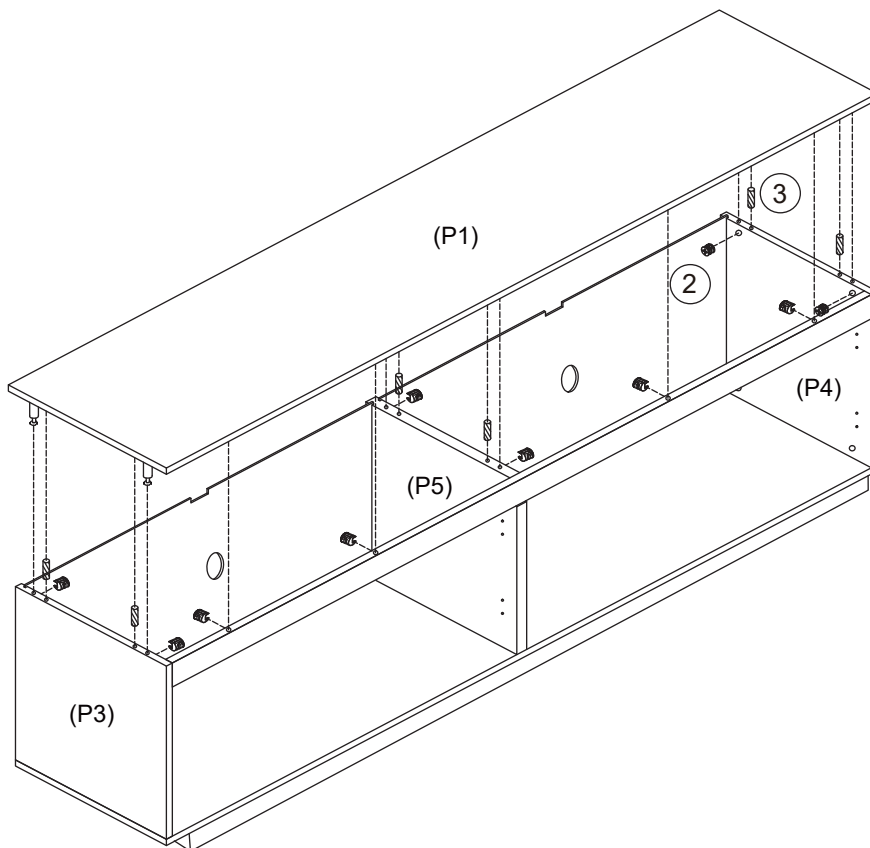
Insert 2x Back panels (P7) into the grooves of Left side panel (P3), Right side panel (P4), Divider (P5) and Bottom panel (P2).

# 10



Screw 10 x Cam bolts (1) into Top panel (P1) using a screwdriver as shown.  
Fix the 2x Wall straps (8) with 2 x Screws (10) and 2 x Washers (9) to the Top panel (P1) as shown.

# 11



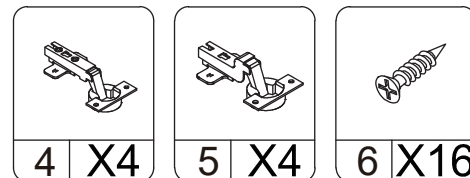
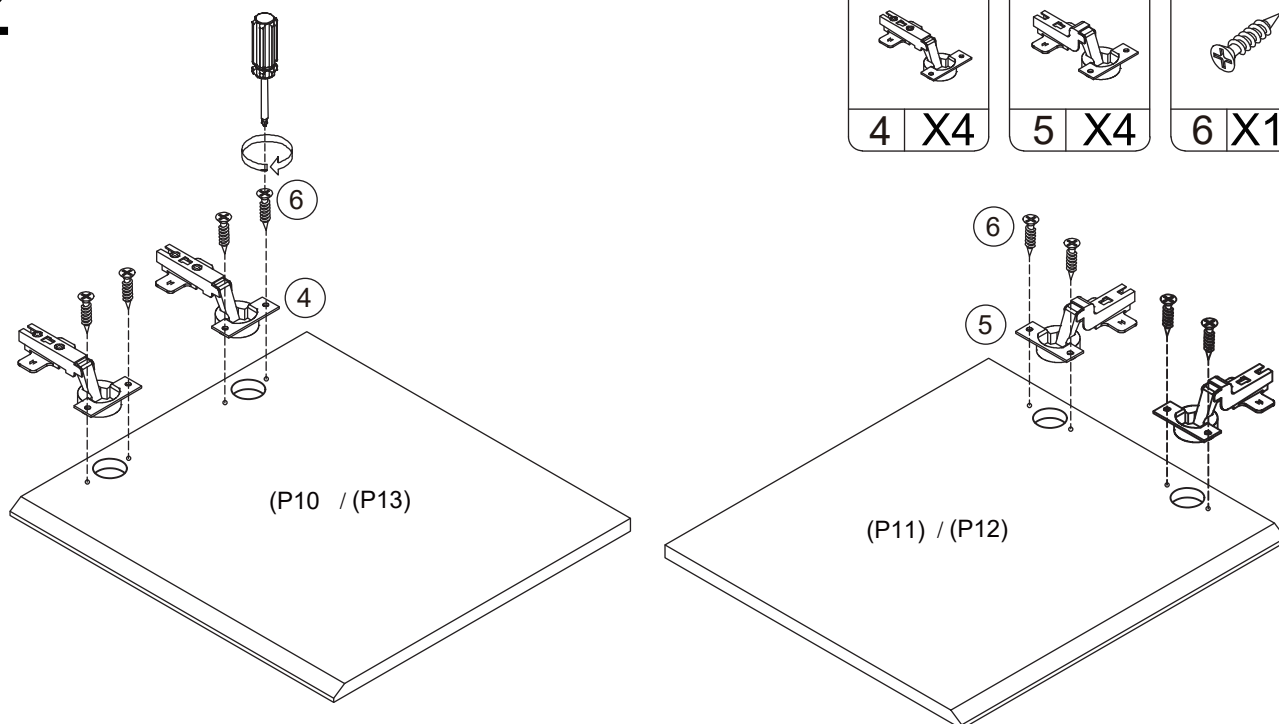
Insert 6 x Dowels (3) into Left side panel (P3), Divider (P5) and Right side panel (P4) as shown.

Position Top panel (P1) onto the assembled frame.

Insert 10 x Cam nuts (2) into Left side panel (P3), Right side panel (P4), Divider (P5) and Front support rail (P6).

Use a screwdriver to turn clockwise to lock.

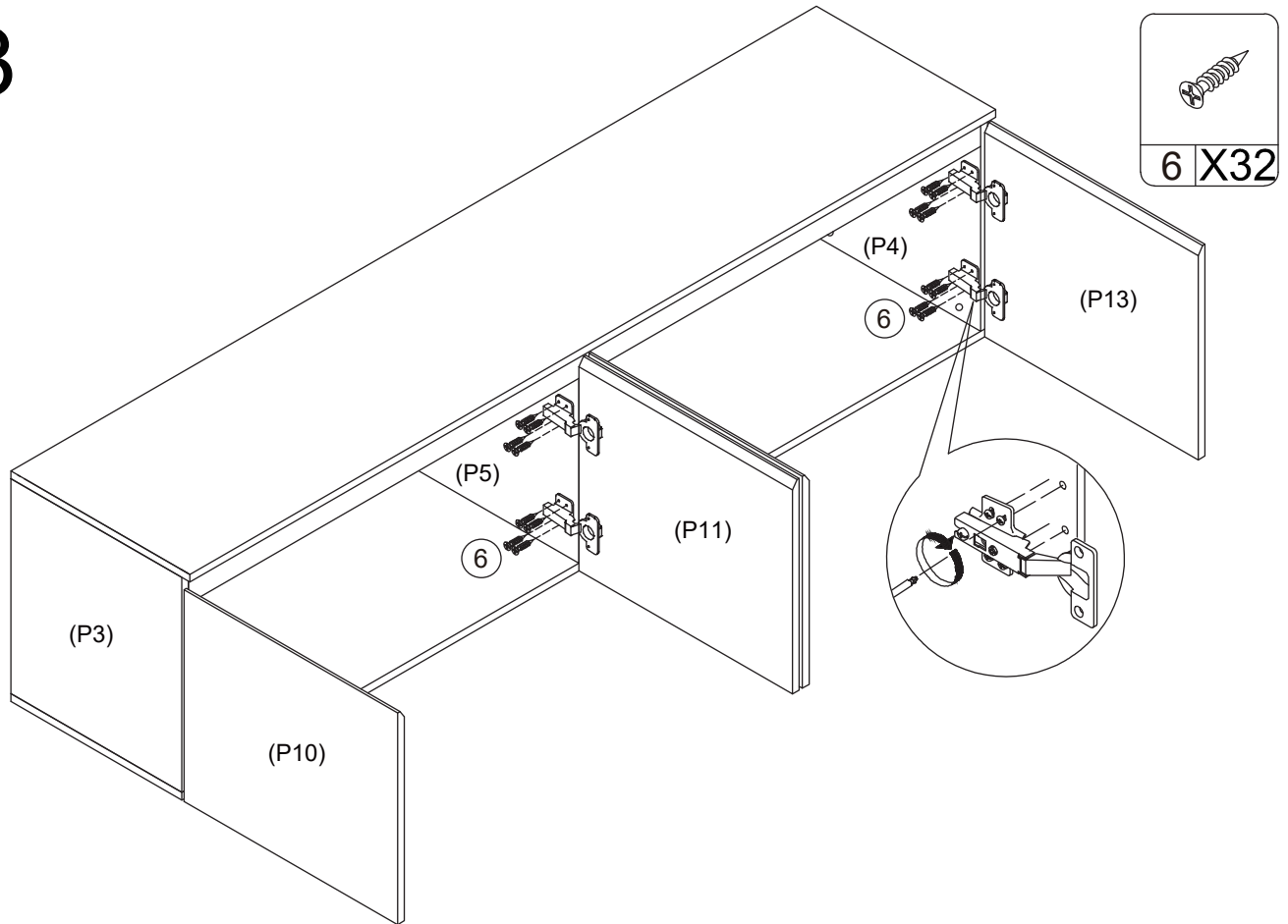
# 12



Attach 4x Hinges (4) to Door (P10) and (P13) with 8x Screws (6) using a screwdriver as shown.

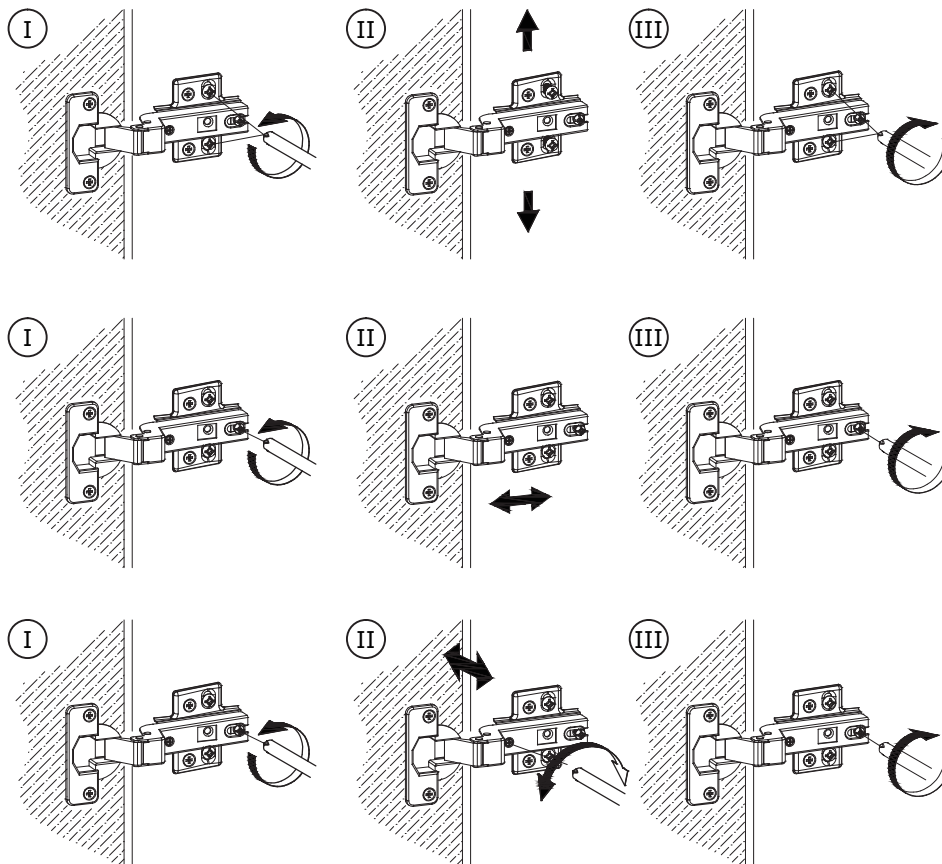
Attach 4x Hinges (5) to Door (P11) and (P12) with 8x Screws (6) using a screwdriver

# 13



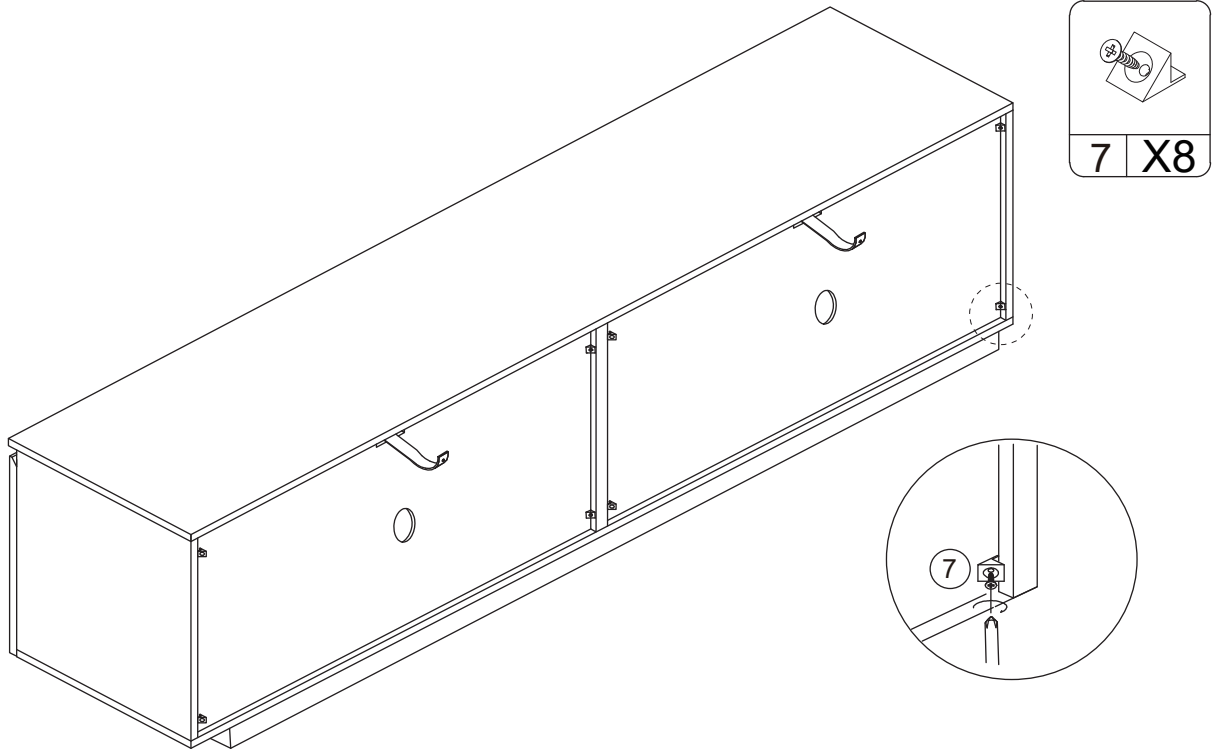
Attach the 2 x Doors (P10) and (P13) to Left side panel (P3) and Right side panel (P4) with 16 x Screws (6) using a screwdriver as shown.

Attach the 2 x Doors (P11) and (P12) to Divider (P5) with 16 x Screws (6) using a screwdriver.



If necessary, adjust the Hinges (4) and (5) using a Screwdriver.

# 14

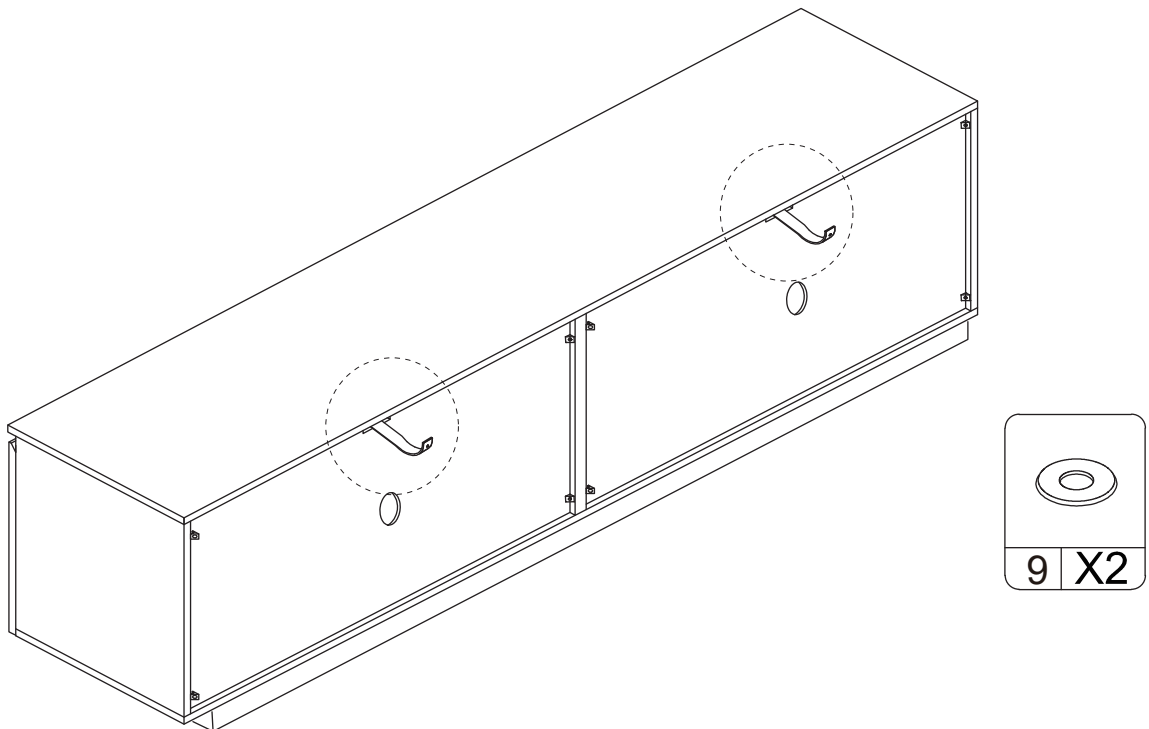


Fix 8x Back panel holders (7) to assembled unit with 8x Screws using a screwdriver.

# 15

## NOTE-

We recommend this product to be permanently fixed to the wall with the strap(s) included, to avoid fatal injury in case it topples over. The pack only contains screws for fastening the anti-topple strap(s) itself to the product. Please contact your DIY or hardware store for advice on the correct type of screws/wall plugs for your type of wall.



Move the ETU into position against a wall.  
Mark suitable positions for the wall fixings.  
Follow instructions to install the wall fixings onto the wall.  
Reposition the ETU and fix the Wall straps (8) and 2 x Washers (9) to the wall with wall fixing.  
Assembly is complete.