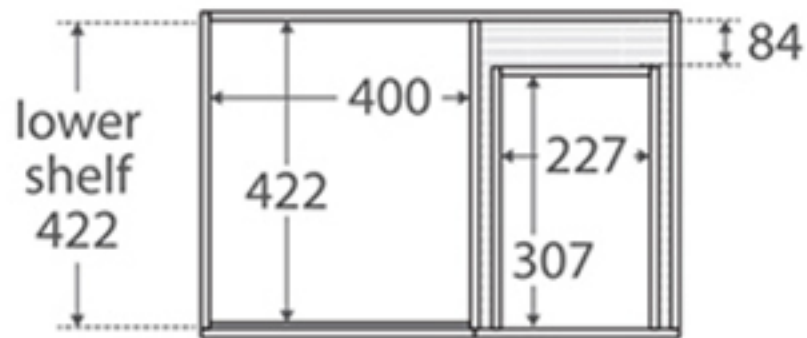


**TOP VIEW: SHELF AREA & DRAWER AREA**



**SIDE VIEW:  
SHELF STORAGE**



**SIDE VIEW: RECESS  
& DRAWER STORAGE**

