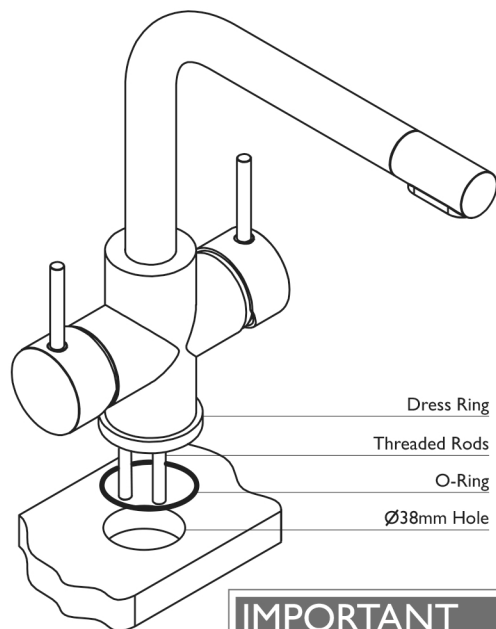


1

- Using a 38mm hole saw, cut a neat hole through the bench top.
- Screw the Threaded Rods tightly into the base of the Mixer.
- Fit the Dress Ring and O-Ring at the base of the Mixer.
- Place the Mixer over the hole and lower into position.

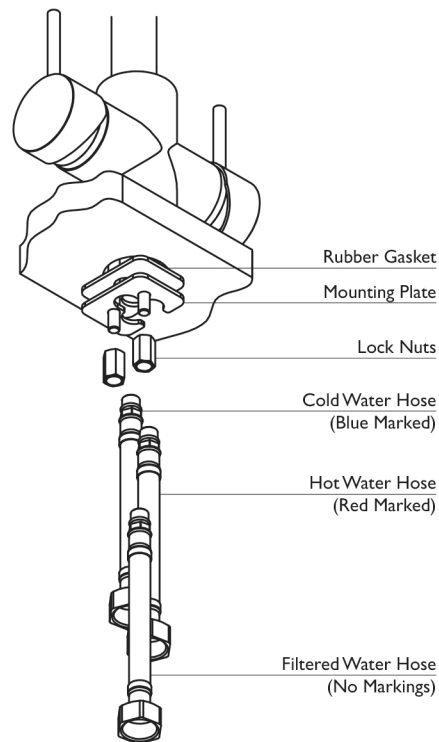


IMPORTANT

This Mixer requires mains HOT and COLD plus an additional COLD water connection for the Filtered Water Cartridge Kit. Ensure Mixer is installed and connected to mains water supply prior to connecting the Filtered Water Cartridge Kit.

2

- Slide the Rubber Gasket and Mounting Plate over the Threaded Rods.
- Fit the Lock Nuts on each Threaded Rod and firmly tighten using the Spanner provided.
- Connect Filtered Water Hose to mixer first.
- Connect the Hot and Cold Water Hoses to the Mixer and Mains connection.

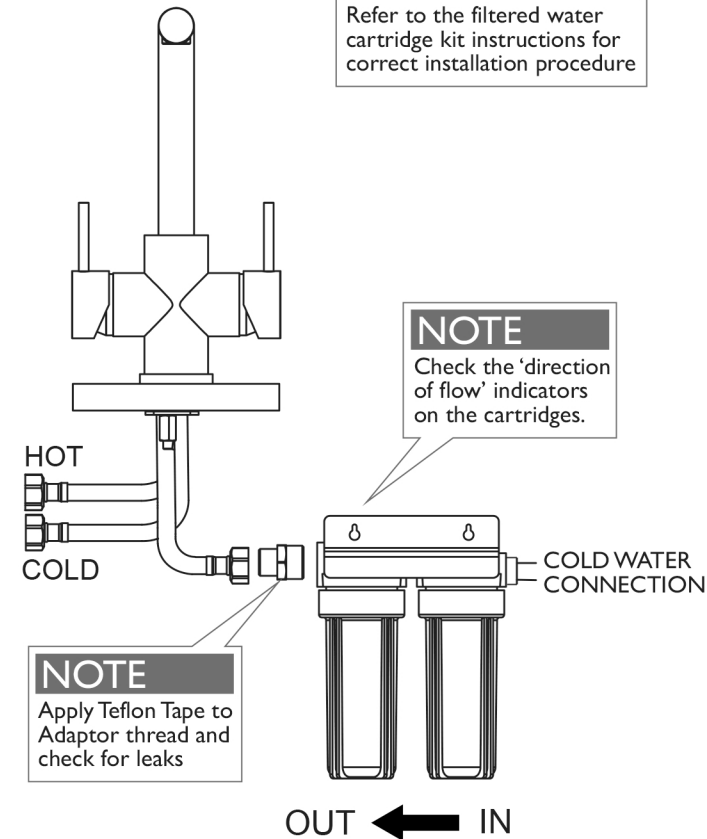


3

- Connect to Filtered Water Cartridge Kit

IMPORTANT

Refer to the filtered water cartridge kit instructions for correct installation procedure



NOTE

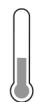
Check the 'direction of flow' indicators on the cartridges.

NOTE

Apply Teflon Tape to Adaptor thread and check for leaks



recommended working pressure
150-500 KPa



maximum hot water temperature
75 degrees